

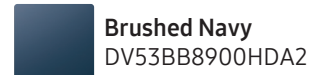
# DV53BB8900HDA2

# SAMSUNG

## Bespoke 7.8 cu. ft. Ultra Capacity Ventless Hybrid Heat Pump Dryer with AI Optimal Dry



### Available Color



### Features

- Ventless Hybrid Heat Pump<sup>1</sup>
- Bespoke Design
- AI Optimal Dry
- AI Smart Dial
- MultiControl™
- Sanitize
- Self Dry
- ENERGY STAR® Certified
- Shallow Closet-Depth Fit<sup>2</sup>
- Flexible Installation
- Wi-Fi Connectivity<sup>3</sup>
- Sensor Dry
- Large 7.8 cu. ft. Ultra Capacity
- Lint Filter Indicator
- Stainless Steel Drum
- 360 Air Flow
- 3 Layered Filter System
- Premium Tempered Glass Door
- Internal Drum Light
- Reversible Dryer Door
- ADA Compliant<sup>4</sup>
- 21 Total Drying Cycles
- 13 Options
- 4 Temperature Settings

### Convenience

- Child Lock
- Filter Check Indicator

### Ratings



ENERGY STAR® Rated:  
281 kWh/yr

### Electrical Requirements

240 V / 60 Hz  
14 Amps

### Specifications

#### 21 Preset Drying Cycles:

AI Optimal Dry, Super Speed, Eco Normal, Normal, Towels, Permanent Press, Activewear, Bedding, Delicates, Wool, Sanitize, Shirts, Denim, Blouses, Iron Dry, Time Dry, Air Fluff, Air Bedding Care, Down Jacket Care, Outdoor Care, Self Dry

#### 13 Options:

Damp Alert, Wrinkle Prevent, My Cycles, Smart Control, Drum Light, Optional Filter, Child Lock, Alarm, AI Pattern, Wi-Fi, Language, Factory Reset, Calibration

#### 4 Temperature Settings:

High, Medium, Low, Extra Low

#### 4 Dry Levels:

More Dry, Normal Dry, Less Dry, Damp Dry

### Warranty

One (1) Year Parts and Labor

### Product Dimensions & Weight (WxHxD)

Dimensions: 27" x 38<sup>3</sup>/<sub>4</sub>" x 34<sup>3</sup>/<sub>8</sub>"  
Weight: 172 lbs

### Shipping Dimensions & Weight (WxHxD)

Dimensions: 29<sup>3</sup>/<sub>8</sub>" x 43<sup>3</sup>/<sub>16</sub>" x 35<sup>15</sup>/<sub>16</sub>"  
Weight: 183 lbs

Heat Pump Dryer	Model #	UPC Code
Brushed Navy	DV53BB8900HDA2	887276716268
Matching Electric Dryer		
Brushed Navy	DVE53BB8900D	887276657257
Matching Gas Dryer		
Brushed Navy	DVG53BB8900D	887276657318
Matching Washer		
Brushed Navy	WF53BG8900AD	887276652252

Optional Accessories	Model #	UPC Code
Brushed Navy Pedestal	WE502ND	887276665276
Brushed Navy Bespoke Heat Pump Stacking & MultiControl™ Combo Kit	SKK-9ALD	887276722054

<sup>1</sup>Tested in accordance with Department of Energy automatic termination test procedure, (also known as D2), normal cycle, 8.45 lb load with Ventless Hybrid Heat Pump (DV53BB8900HDA2) vs. Vent (DVE53BB8900\*A3). Actual results may vary depending on individual use.

<sup>2</sup>Designed to fit a 38" installation depth.

<sup>3</sup>Requires wireless network, Samsung account and Samsung SmartThings App. The Samsung Smart Things App supports Android OS 4.0 (ICS) or later which is optimized for Samsung smartphones (Galaxy S and Galaxy Note series). This app also supports iOS 7 or later for iPhone models. Samsung SmartThings App available in App Store and Play Store.

<sup>4</sup>ADA Compliant when using 27" wide riser (Riser model codes: WE272NV, WE272NC, WE272NP).

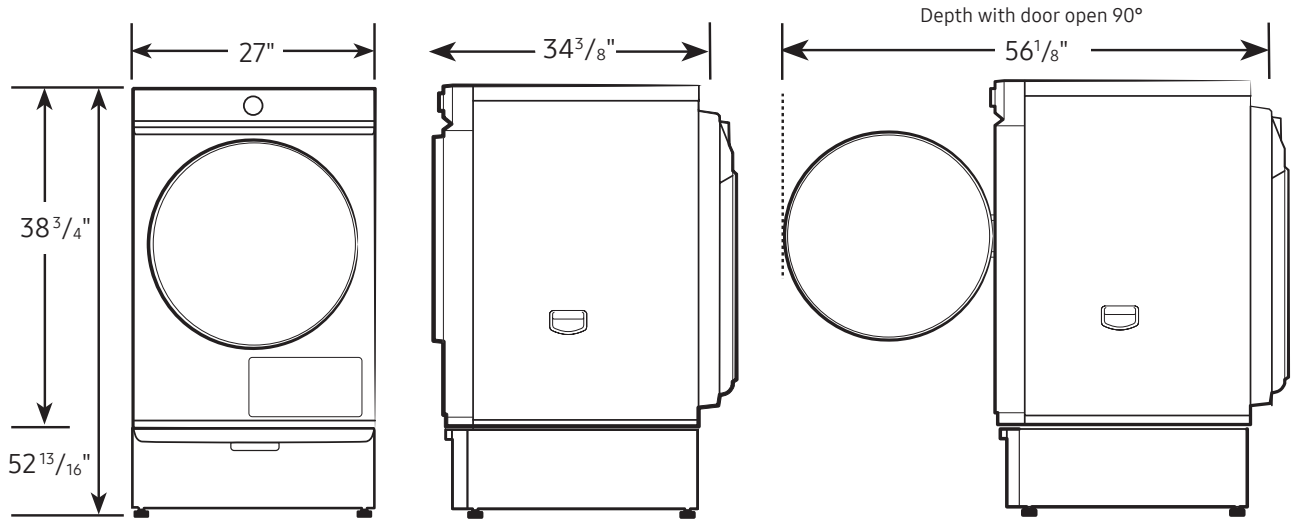
DV53BB8900HDA2

SAMSUNG

# Bespoke 7.8 cu. ft. Ultra Capacity Ventless Hybrid Heat Pump Dryer with AI Optimal Dry

## Dimensions

Required dimensions for installation with pedestal:

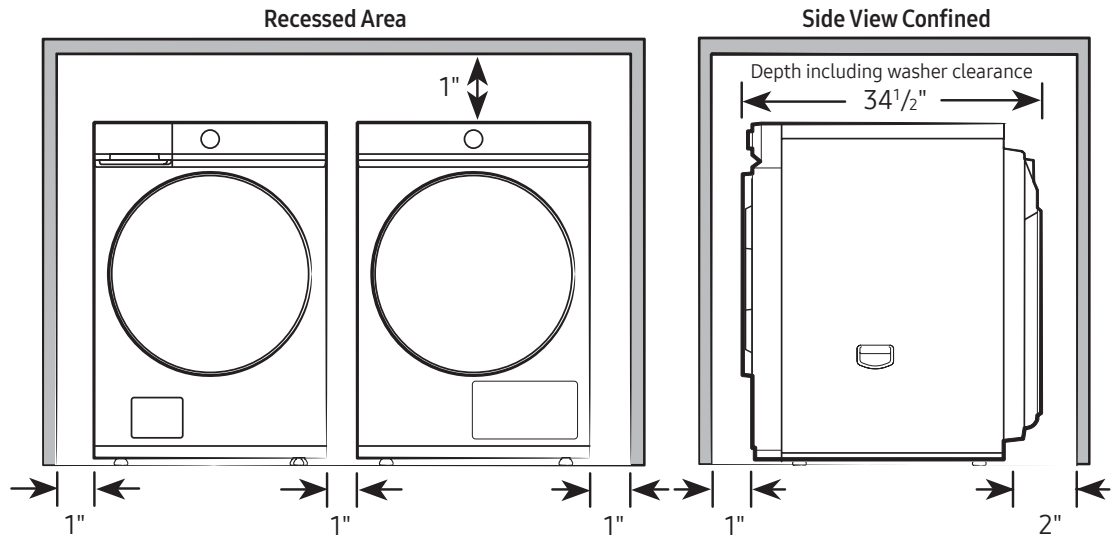


## Installation Specifications – Side-by-Side or Stand-Alone

If the washer and dryer are installed together or the dryer alone, the closet front must have two unobstructed air openings for a combined minimum total area of 72-inch<sup>2</sup>. Your washer alone does not require a specific air opening.

### Alcove or closet installation

Minimum clearance for closet and alcove installations:



Actual color may vary. Design, specifications, and color availability are subject to change without notice. Non-metric weights and measurements are approximate.

©2022 Samsung Electronics America, Inc., 85 Challenger Road, Ridgefield Park, NJ 07660. Tel: 800-SAMSUNG.samsung.com. Samsung is a registered trademark of Samsung Electronics Co., Ltd.

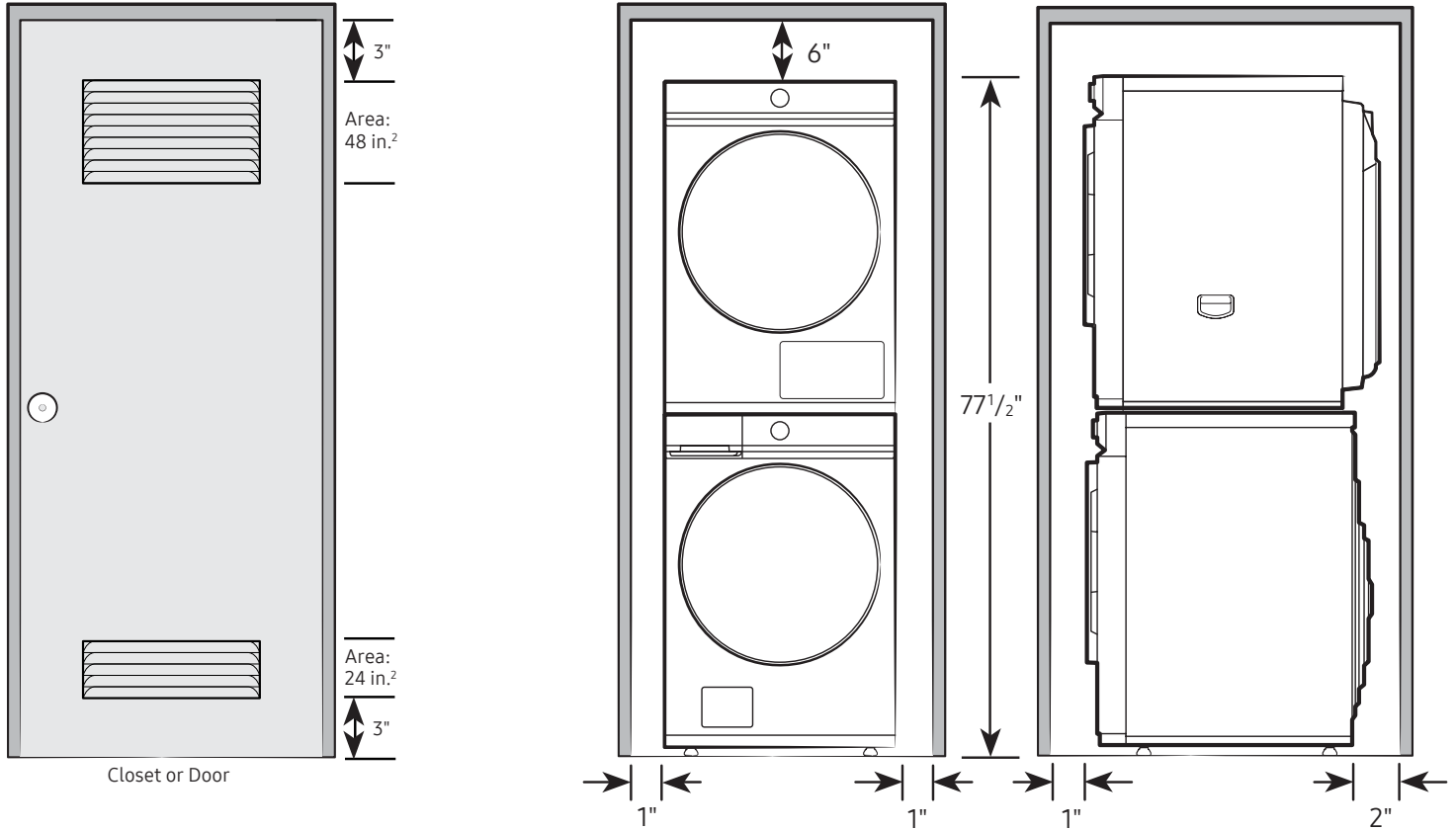
# DV53BB8900HDA2



## Bespoke 7.8 cu. ft. Ultra Capacity Ventless Hybrid Heat Pump Dryer with AI Optimal Dry

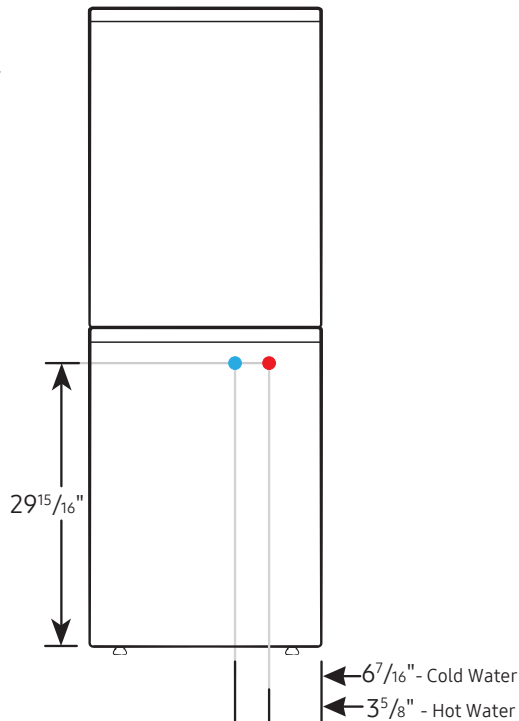
### Installation Specifications – Stacked Pair

Clearances indicated are for stacked pairs. The closet front must have two unobstructed air openings for a combined minimum total area of 72-inch<sup>2</sup>.



### Connection Dimensions

Back and side views of stacked pair



**LEGEND:**

- Cold Water Connection
- Hot Water Connection

Actual color may vary. Design, specifications, and color availability are subject to change without notice. Non-metric weights and measurements are approximate.

©2022 Samsung Electronics America, Inc., 85 Challenger Road, Ridgefield Park, NJ 07660. Tel: 800-SAMSUNG. samsung.com. Samsung is a registered trademark of Samsung Electronics Co., Ltd.