



WASHERS

SAFETY INSTRUCTIONS 3

USING THE WASHER

Getting Started 5

Consumer Help Indicator 13

Loading 15

Appliance Communication 16

CARE AND CLEANING 17

INSTALLATION INSTRUCTIONS 18

TROUBLESHOOTING TIPS..... 24

LIMITED WARRANTY 29

CONSUMER SUPPORT 30

OWNER'S MANUAL & INSTALLATION INSTRUCTIONS

- GTW540
- GTW538
- GTW525
- GTW500
- GTW490
- GTW485
- GTW480
- GTW465
- GTW385
- GTW335
- GTW325
- GTW220
- HTW265
- HTW240

ENGLISH/ESPAÑOL

Write the model and serial numbers here:

Model # _____

Serial # _____

You can find them under the lid of the washer.

THANK YOU FOR MAKING GE APPLIANCES A PART OF YOUR HOME.

Whether you grew up with GE Appliances, or this is your first, we're happy to have you in the family.

We take pride in the craftsmanship, innovation and design that goes into every GE Appliances product, and we think you will too. Among other things, registration of your appliance ensures that we can deliver important product information and warranty details when you need them.

Register your GE appliance now online. Helpful websites and phone numbers are available in the Consumer Support section of this Owner's Manual. You may also mail in the pre-printed registration card included in the packing material.



IMPORTANT SAFETY INFORMATION

READ ALL INSTRUCTIONS BEFORE USING THE APPLIANCE

▲ WARNING

To reduce the risk of death, fire, explosion, electric shock, or injury to persons when using your appliance, follow basic precautions, including the following:

- Read all instructions before using the appliance.
- Follow all fabric care instructions and warnings to prevent melting of garments or damage to the appliance.
- **DO NOT** wash or dry articles that have been previously cleaned in, washed in, soaked in or spotted with gasoline, dry-cleaning solvents, or other flammable or explosive substances, as they give off vapors that could ignite or explode.
- **DO NOT** add gasoline, dry-cleaning solvents, or other flammable or explosive substances to the wash water. These substances give off vapors that could ignite or explode.
- Under certain conditions, hydrogen gas may be produced in a hot-water system that has not been used for 2 weeks or more. **HYDROGEN GAS IS EXPLOSIVE.** If the hot water system has not been used for such a period, before using a washing machine, turn on all hot-water faucets and let the water flow from each for several minutes. This will release any accumulated hydrogen gas. As the gas is flammable, **DO NOT** smoke or use an open flame during this time.
- Risk of suffocation and injury from entrapment: **DO NOT** allow children to play on or in this appliance. Close supervision of children is necessary when this appliance is used near children. Before the washer is removed from service or discarded, remove the door or lid. Failure to follow these instructions may result in death or injury to persons.
- **DO NOT** reach into the appliance if the tub or agitator is moving to prevent accidental entanglement.
- For waterproof, water-resistant and bulky items, only use the **Bulky** (or **Delicates**) cycle. **DO NOT** use other cycles for these items. Using other cycles can cause excessive vibration and may result in injury or damage to the washer, walls, or floor. **DO NOT** mix waterproof and non-waterproof items.
- **DO NOT** install or store this appliance where it will be exposed to the weather.
- **DO NOT** tamper with controls, repair or replace any part of this appliance or attempt any servicing unless specifically recommended in the user maintenance instructions or in published user repair instructions that you understand and have the skills to carry out.
- **DO NOT** operate this appliance if it is damaged, malfunctioning, partially disassembled, or has missing or broken parts including a damaged cord or plug.
- **DO NOT** use replacement parts that have not been recommended by the manufacturer (e.g. parts made at home using a 3D printer.)
- Unplug the appliance or turn off the circuit breaker before servicing. Pressing the **Start** button **DOES NOT** disconnect power.
- **DO NOT** climb on or stand on this unit.
- See "ELECTRICAL REQUIREMENTS" located in the Installation Instructions for grounding instructions.

Proper Disposal of your Appliance

- Dispose of or recycle your appliance in accordance with Federal and Local Regulations. Contact your local authorities for the environmentally safe disposal or recycling of your appliance.

READ AND SAVE THESE INSTRUCTIONS

IMPORTANT SAFETY INFORMATION

READ ALL INSTRUCTIONS BEFORE USING THE APPLIANCE

PROPER INSTALLATION

This washer must be properly installed and located in accordance with the Installation Instructions before it is used.

- Ensure that the hot water hose is connected to the “H” valve and the cold water hose is connected to the “C” valve.
- Install or store where it will not be exposed to temperatures below freezing or exposed to the weather, which could cause permanent damage and invalidate the warranty.
- Properly ground washer to conform with all governing codes and ordinances. Follow details in the Installation Instructions.

⚠ WARNING - Electrical Shock Hazard

Plug into a grounded 3 prong outlet.

DO NOT remove ground prong.

DO NOT use an adapter.

DO NOT use an extension cord.

Failure to follow these instructions can result in death, fire or electrical shock.

- Ensure washer is properly leveled and washer legs are adjusted such that unit is stable.
- Optional drain hose extension recommended for discharging heights from 60” - 96”.
- GE Appliances strongly recommends the use of factory specified parts. A list of factory hoses available for purchase are listed. These hoses are manufactured and tested to meet GE Appliances specifications.
- GE Appliances strongly recommends the use of new water supply hoses. Hoses degrade over time and need to be replaced every 5 years to reduce the risk of hose failures and water damage.
- Consider recycling options for your appliance packaging material.

START-UP SEQUENCE

- When the washer cycle is first started, there will be a pattern of blinking lights running from right to left through the **Spin, Rinse, Wash, Soak,** and **Fill** lights (on some models). On some models, all LED’s will turn off for over 10 seconds before the **Fill** light turns on.
- Any time the washer is being started or restarts after the washer lid has been opened and closed, the washer will turn on the cold water valve for two short periods followed by a 10 second pause before continuing. If the lid is opened during this period, the washer will pause. You will have to push the **Start** button again to restart the cycle. The **Complete** light will turn on when the washer has finished running a cycle. If the washer is off and the **Complete** light is not on, the cycle completed more than an hour ago or the washer cycle ended prematurely due to a fault.

AUTOMATIC DRAIN SEQUENCE

- Machine will automatically drain anytime the lid is left open for more than 15 minutes and water is present. The **Fill** light will blink three times repeatedly when the draining begins.
- Machine will automatically drain if left in a paused state with lid closed for more than 24 hours and water is present.

WHEN NOT IN USE

- Turn off water faucets to minimize leakage if a break or rupture should occur. Check the condition of the fill hoses; GE Appliances recommends changing the hoses every 5 years.

PARTS AND ACCESSORIES

Order on-line at GEApplianceparts.com today, 24 hours a day or by phone at 877.959.8688 during normal business hours.

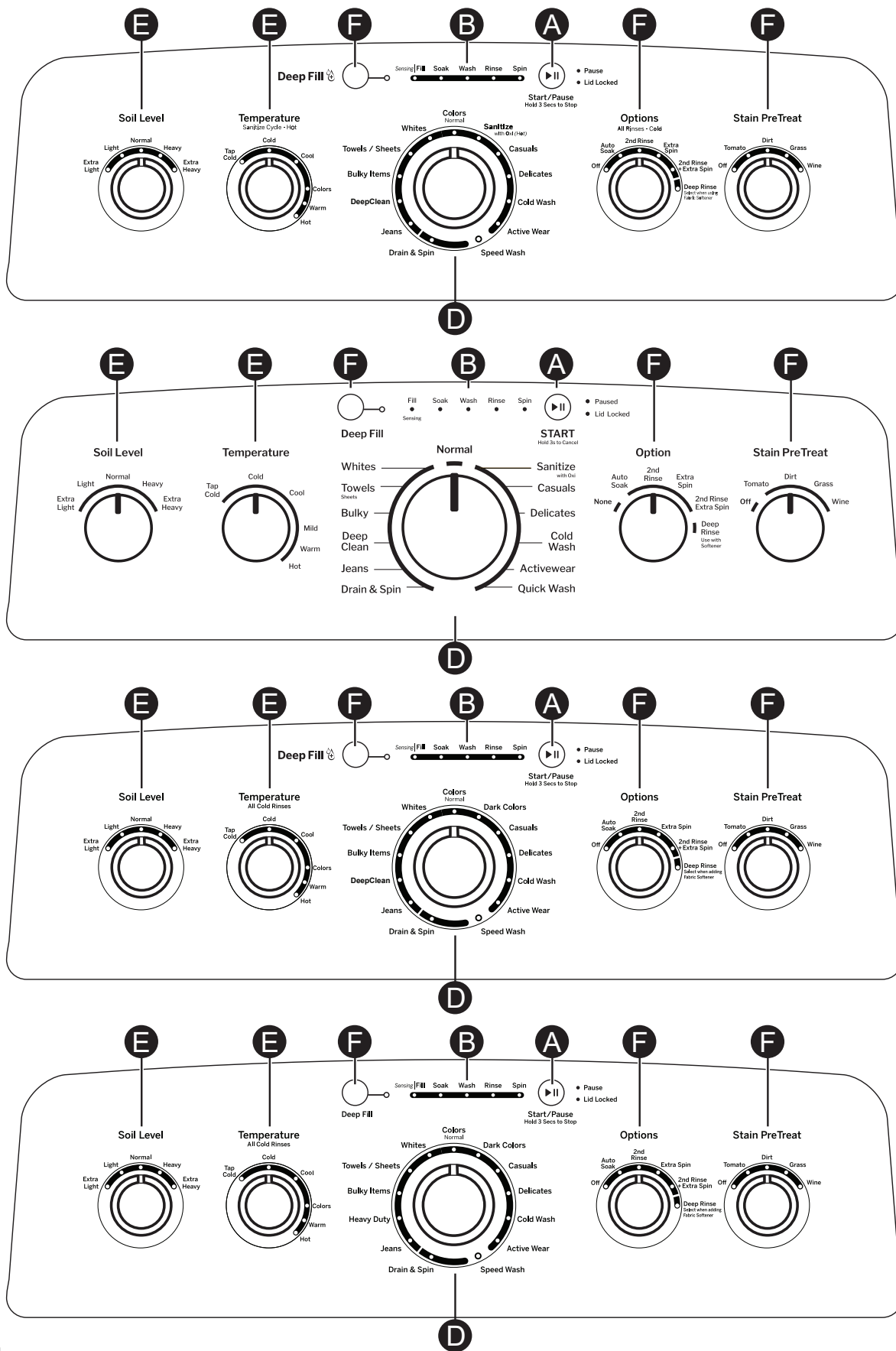
Part Number	Accessory
WH49X301	Drain Hose Extension
PM14X10002	4 ft - Rubber Water Supply Hoses
Or	
PM14X10005	4 ft - Braided Water Supply Hoses (Included with the GTW525 model only)
PM7X1	Washer Floor Tray

READ AND SAVE THESE INSTRUCTIONS

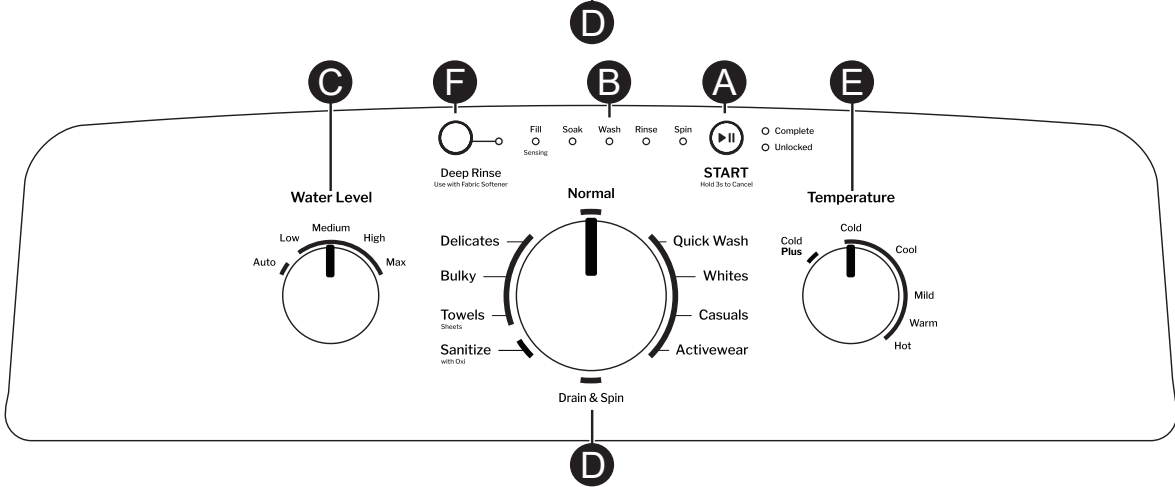
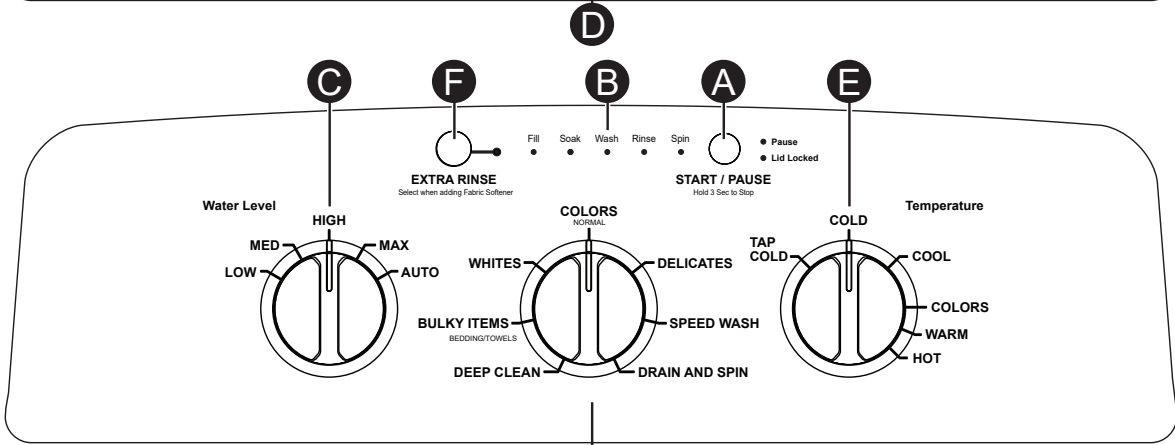
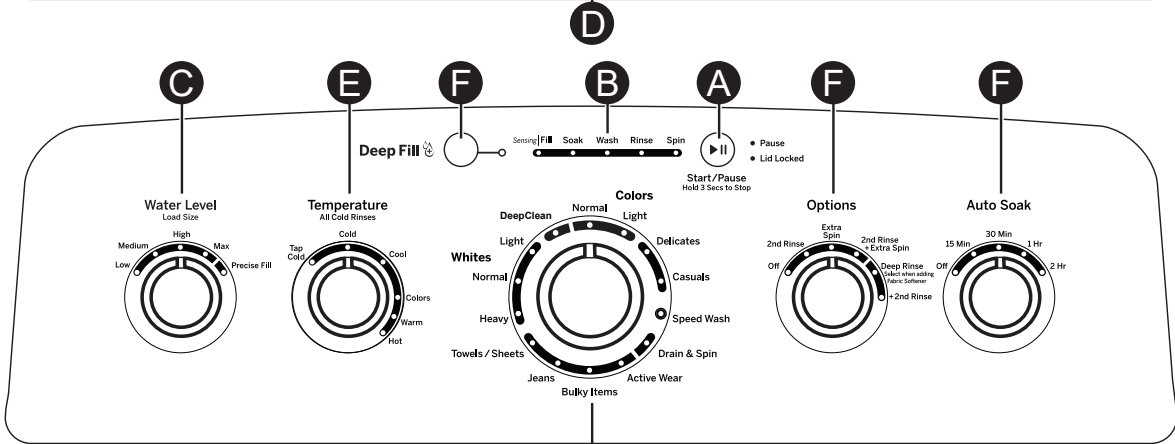
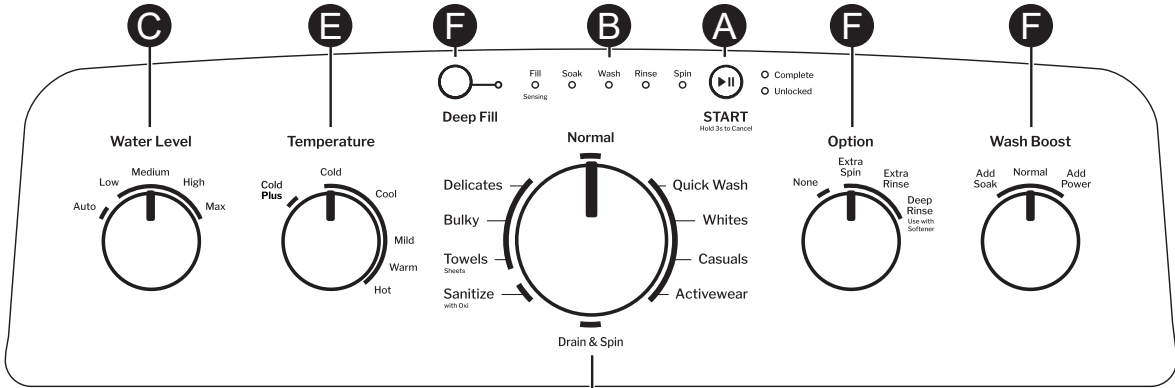
Getting started

⚠ WARNING To reduce the risk of fire, electric shock, or injury to persons, read the IMPORTANT SAFETY INFORMATION before operating this appliance.

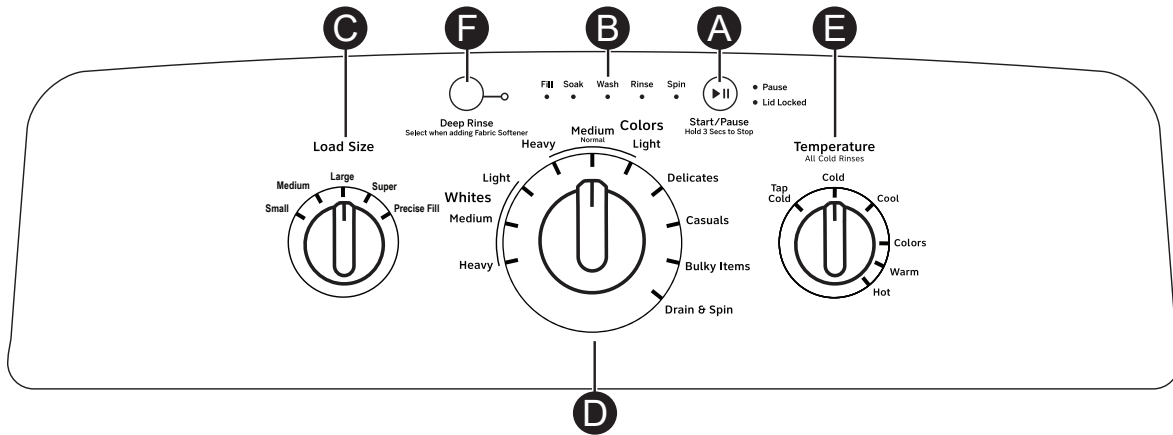
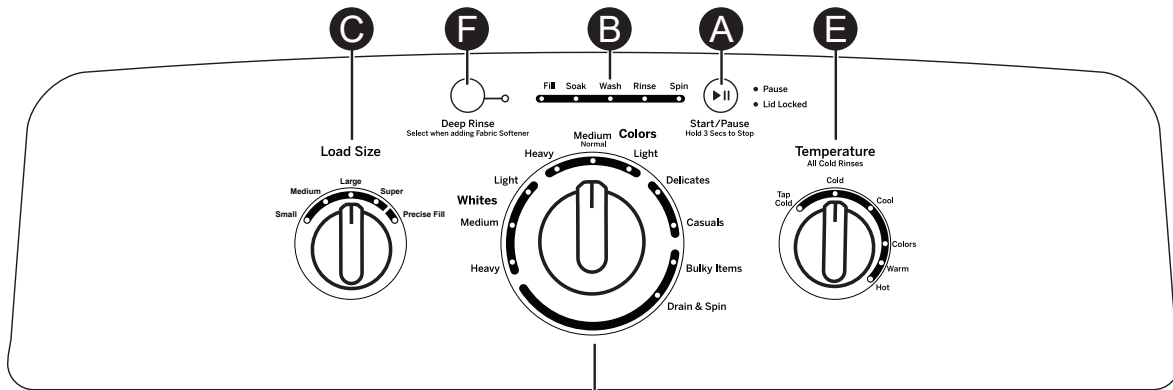
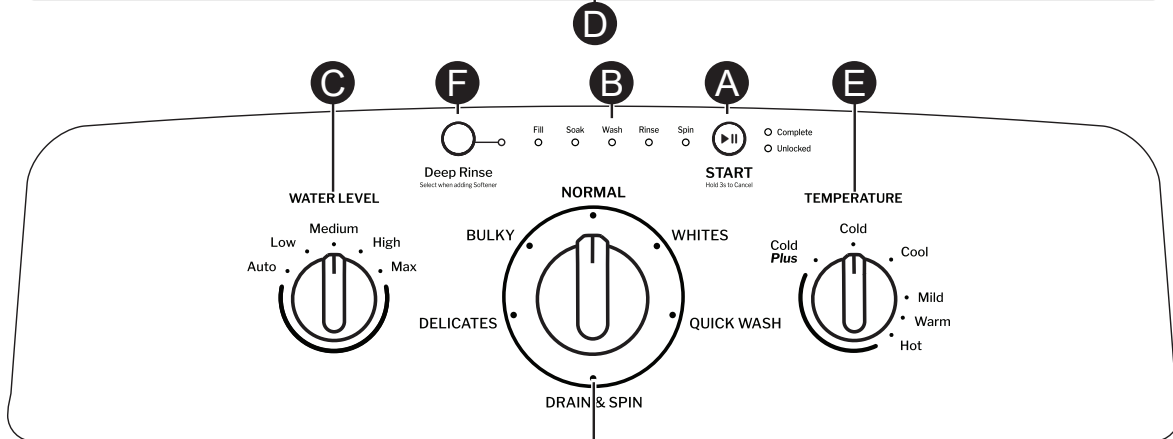
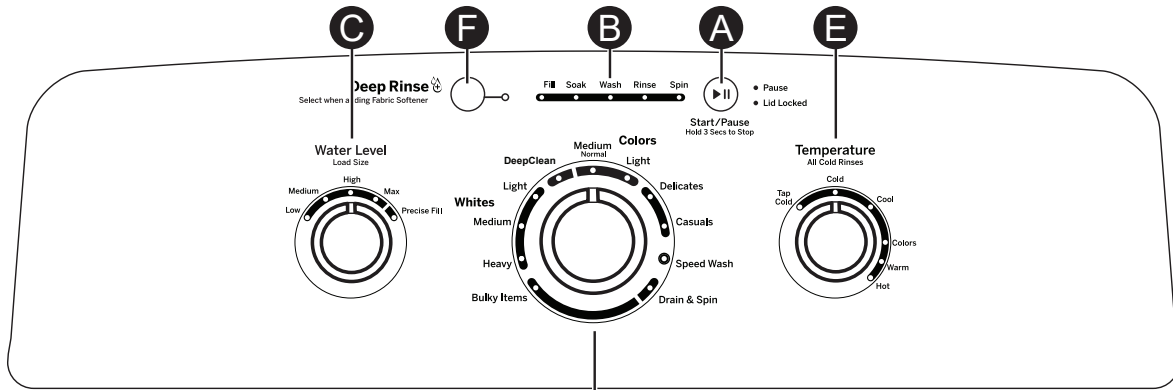
Throughout this manual, features and appearance may vary from your model.



Getting started



Getting started



Getting started


Step 1



- Add fabric softener to the fabric softener dispenser (on some models); see page 14.
- If using detergent packets, add to the bottom of the wash basket before adding clothes.

Step 2



- Loosely add items around agitator or Infusor. Overloading may negatively impact wash performance. See page 15 for suggested loading examples.
- Add the manufacturer's recommended amount of detergent to the top of the load after adding clothes. We recommend the use of High Efficiency detergents such as  in your energy efficient washer.

Step 3



- Close lid.
NOTE: Unit will not start with lid open if Auto is selected except on Bulky cycle.
- Select wash cycle.
- Select wash options, including Deep Rinse or Extra Rinse option (on some models) when using fabric softener.
- Select options.
- Select Water Level (on some models).

Step 4



- Press Start/Pause.

A Start/Pause

Press **Start/Pause** to begin the cycle. **NOTE:** If the lid is closed, the lid will lock only during the load sensing portion of the cycle (when the **Auto** selection is made or models which do not have a water level selection) and during spin portions of the cycle. Lid will unlock after load sensing and spin.

Pressing **Start/Pause** will unlock the lid (if locked at that time), pause the cycle and the **Fill, Soak, Wash, Rinse, and Spin** light indicators will blink.

To continue the cycle, press **Start/Pause** again. If water remains in the machine, select the **Drain & Spin** cycle to drain basket and spin water out of the washer basket. **NOTE:** Machine will automatically cancel and drain when water is present and the lid is left open for 15 minutes or the unit is left in a paused state for 24 hours with the lid closed. Select cycle and press **Start/Pause** to begin new cycle.

B Cycle Status Lights

Shows whether the washer is in the **Fill, Soak, Wash, Rinse** or **Spin** portion of the cycle.

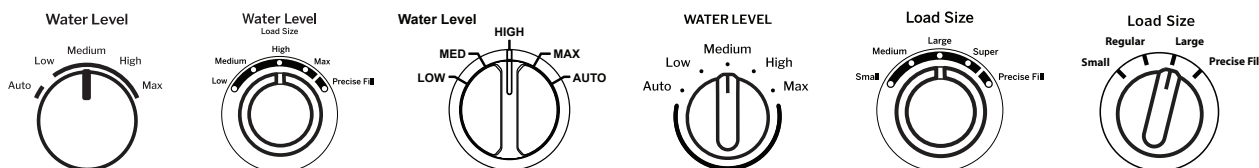
If an out-of-balance condition is detected by the washer, the **Spin** and **Rinse** lights will blink during the remaining portion of the cycle and will stay illuminated for a short time after cycle completion. When the washer tries to redistribute the load, the **Rinse** light will be illuminated solid while the **Spin** light continues to blink (on some models). When this occurs, the washer is taking actions to correct the out-of-balance condition and complete the cycle normally. In some cases, the washer may not be able to balance the load and spin up to full speed. If you notice the load is more wet than normal at the end of the cycle, redistribute the load evenly in the wash basket and run a **Drain & Spin** cycle.

C Water Level

Add  detergent to the bottom of the basket and fabric softener to the dispenser (on some models) prior to loading clothes.

Loosely load items in the washer basket. Overloading may negatively impact wash performance. Adjust the water level accordingly.

Make the water level selection:



(features and appearance will vary by model)

Auto (on some models)

- For convenience, best performance and optimal efficiency, select **Auto** for models so equipped. This selection automatically provides the correct amount of water suited to the size and type of load placed in the unit. Lid will be locked for the duration of the load sensing process, which includes a brief spin period and a portion of the water fill.
- If you prefer to manually select the water level, select **Low** through **Max**. While **Auto** is best for most loads and general washing, you may want to manually select the water level for specialty items such as bulky, lightweight comforters or pillows, where you want to ensure a larger water level is applied. Manual water level selections should be made for wet items placed in the washer, such as soaked towels or garments.
- The washer will not fill with water when **Auto** is selected if the lid is opened. When the lid is closed the machine is able to begin filling with water in order to sense the load size.

NOTE: This is a high-efficiency washing machine. This system requires less water while providing effective cleaning action. You may notice that the water level is lower than on your previous washer. This is normal.

Getting started

D Wash Cycles - Cycle Selector Knob

⚠ WARNING Failure to closely follow these instructions may result in an abnormal vibrating and out-of-balance condition that could result in physical injury, property damage, and/or appliance damage.

For Waterproof, Water-Resistant, or Bulky:

- Only use the **Bulky** (or **Delicates**) cycle.
- Using other cycles can cause excessive vibration and may result in injury or damage to the washer, walls, or floor.
- Do not mix waterproof and non-waterproof items.
- Read the **Owner's Manual** for wash cycle details.

The wash cycle controls the type of washing process. The cycle selector knob can be turned in either direction. Turning the knob after starting a cycle will stop the washer and change the cycle/options to the new selection. Press **Start** to begin the new cycle selection.

The following chart will help you match the items to be washed with the best wash cycle settings. For optimal performance, select the cycle that most closely matches the items being washed.

Selections and options shown in **bold** are the recommended settings for that cycle.

Some cycles and options may not be available on some models.

Getting started

D Wash Cycles - Cycle Selector Knob - Continued

Items to Wash	Cycle	Wash Temp	Soil Level	Spin Selection (Duration)	Options Available	Cycle Details
Cycle for normal, regular, or typical use for washing up to a full load of normally soiled cotton clothing.	Normal/ Colors	Hot Warm/Warmer Colors/Mild Cool Cold Tap Cold/ Cold PLUS	Ex. Heavy Heavy Normal/ Medium Light Ex. Light	Max/Extra Normal	Stain PreTreat Guide Auto Soak Deep Rinse/Extra Rinse 2nd Rinse On GTW465 Model Only: Deep Fill	Cycle for normal, regular, or typical use for washing up to a full load of normally soiled cotton clothing. Choose the Heavy or Extra Heavy soil level selection and Warm or Hot water temperature selection as appropriate for your clothes load for a higher degree of cleaning. Incorporates multi-stage fills and wash periods to provide optimal fabric care.
Dark colored items, linens, and mixed loads.	Dark Colors	Hot Warm/Warmer Colors/Mild Cool Cold Tap Cold/ Cold PLUS	Ex. Heavy Heavy Normal/ Medium Light Ex. Light	Max/Extra Normal	Stain PreTreat Guide Deep Fill Auto Soak Deep Rinse/Extra Rinse 2nd Rinse	Lower wash temperatures, a shorter wash period, and a deep fill rinse (on some models) minimizes fading and spotting of dark colored fabrics. Incorporates multi-stage fills and wash periods to provide optimal fabric care.
Casual clothes, lightly soiled office wear.	Casuals	Hot Warm/Warmer Colors/Mild Cool Cold Tap Cold/ Cold PLUS	Ex. Heavy Heavy Normal/ Medium Light Ex. Light	Max/Extra Normal	Stain PreTreat Guide Deep Fill Auto Soak Deep Rinse/Extra Rinse 2nd Rinse	Wash period tailored to care for casual clothes and office wear items. Incorporates multi-stage fills and wash periods to provide optimal fabric care.
Lingerie and special care fabrics with light soil.	Delicates	Hot Warm/Warmer Colors/Mild Cool Cold Tap Cold/ Cold PLUS	Ex. Heavy Heavy Normal/ Medium Light Ex. Light	Max/Extra Normal	Stain PreTreat Guide Deep Fill Auto Soak Deep Rinse/Extra Rinse 2nd Rinse	Utilizes a unique "tri-pulse" extra gentle agitate profile and a low spin speed to provide special care to delicate fabrics. It is recommended to place small or ultra delicate items in mesh bags before washing.
Dark colored fabrics and mixed loads.	Cold Wash	Hot Warm/Warmer Colors/Mild Cool Cold Tap Cold/ Cold PLUS	Ex. Heavy Heavy Normal/ Medium Light Ex. Light	Max/Extra Normal	Deep Fill Auto Soak Deep Rinse/Extra Rinse 2nd Rinse	Cycle combines multiple extended wash agitation periods with soak periods to provide enhanced cleaning performance and energy efficiency with colder water temperatures.
Medium to lightly soiled athletic wear items of technical or synthetic fabrics.	Active Wear	Hot Warm/Warmer Colors/Mild Cool Cold Tap Cold/ Cold PLUS	Ex. Heavy Heavy Normal/ Medium Light Ex. Light	Max/Extra Normal	Stain PreTreat Guide Deep Fill Auto Soak Deep Rinse/Extra Rinse 2nd Rinse	Cycle designed for care of medium to lightly soiled active wear, athletic wear, and technical fabrics. Incorporates a multi-stage wash period with soak to effectively treat body soils and odors. Use the Heavy Duty cycle for heavily soiled sports clothing constructed of sturdy fabric.
Small loads of lightly soiled items that are needed in a hurry.	Quick Wash	Hot Warm/Warmer Colors/Mild Cool Cold Tap Cold/ Cold PLUS	Ex. Heavy Heavy Normal/ Medium Light Ex. Light	Max/Extra Normal	Stain PreTreat Guide Deep Fill Auto Soak Deep Rinse/Extra Rinse 2nd Rinse	Utilizes an expedited wash period and time saving continuous spray rinse to clean small lightly soiled loads in the fastest time possible.

NOTE: Water temperature selections are embedded within the wash cycles. For the **Colors Cycle Normal**, there are multiple temperature selections available. For other cycles, such as **Whites**, there is only one temperature available but there are multiple soil levels embedded. Select the cycle, temperature and soil level that best matches items being washed.

Getting started

D Wash Cycles - Cycle Selector Knob - Continued

Items to Wash	Cycle	Wash Temp	Soil Level	Spin Selection (Duration)	Options Available	Cycle Details
Wet load of items. For items that need only to be rinsed, use this cycle with Deep Rinse/Extra Rinse option.	Drain & Spin			Max/Extra Normal	Deep Rinse/Extra Rinse 2nd Rinse	Utilizes a high speed spin to extract water from wet items. For items that need to be rinsed, select the Deep Rinse/Extra Rinse and/or 2nd Rinse option when using this cycle.
Jeans with medium to light soil. For heavily soiled work jeans, use the Heavy Duty Cycle.	Jeans	Hot Warm/Warmer Colors/Mild Cool Cold Tap Cold/ Cold PLUS	Ex. Heavy Heavy Normal/Medium Light Ex. Light	Max/Extra Normal	Stain PreTreat Guide Deep Fill Auto Soak Deep Rinse/Extra Rinse 2nd Rinse	Combines higher water levels, a specially designed agitation profile, and multi-step wash and soak periods to care for jeans with medium to light soil. Use the Heavy Duty cycle for heavily soiled work jeans.
Sturdy fabrics with heavy soil.	Deep Clean	Hot Warm/Warmer Colors/Mild Cool Cold Tap Cold/ Cold PLUS	Ex. Heavy Heavy Normal/ Medium Light Ex. Light	Max/Extra Normal	Stain PreTreat Guide Deep Fill Auto Soak Deep Rinse/Extra Rinse 2nd Rinse	Incorporates multi-step wash and soak periods combined with extended wash periods to effectively clean heavily soiled sturdy fabrics.
Water-resistant, bedding and bulky items, such as large coats, mattress pads, and bath mats.	Bulky	Hot Warm/Warmer Colors/Mild Cool Cold Tap Cold/ Cold PLUS	Ex. Heavy Heavy Normal/Medium Light Ex. Light	Max/Extra Normal	Stain PreTreat Guide Deep Fill Auto Soak Deep Rinse/Extra Rinse 2nd Rinse	Provides a Deep Fill/max fill wash water level to wash bulky and waterproof items. Also incorporates a Deep Fill rinse to effectively rinse bulky items and a low spin speed appropriate for these items. Only use this cycle for water-resistant, bedding or bulky items.
Towels. Sheets.	Towels / Sheets	Hot Warm/Warmer Colors/Mild Cool Cold Tap Cold/ Cold PLUS	Ex. Heavy Heavy Normal/Medium Light Ex. Light	Max/Extra Normal	Stain PreTreat Guide Deep Fill Auto Soak Deep Rinse/Extra Rinse 2nd Rinse	Cycle designed washing towels or sheets, using a higher water level and a soak period to effectively clean these items. It is recommended that towels and sheets be washed separately for best care and washing performance. For waterproof bed covers use Bulky cycle.
Whites and household linens	Whites	Hot Warm/Warmer Colors/Mild Cool Cold Tap Cold/ Cold PLUS	Ex. Heavy Heavy Normal/Medium Light Ex. Light	Max/Extra Normal	Stain PreTreat Guide Deep Fill Auto Soak Deep Rinse/Extra Rinse 2nd Rinse	Cycle tailored to clean and brighten your whites.
Heavily soiled colorfast items.	Sanitize with Oxi*	Hot	Ex. Heavy	Max/Extra	Auto Soak Deep Rinse/Extra Rinse 2nd Rinse	Cycle uses an initial lower water fill for super concentrated, high temperature sanitization followed by a heavy wash step. A pump purge and deep rinse is incorporated to remove contaminants. See additional details below.

*Sanitize with Oxi (on some models)

The **Sanitize With Oxi** cycle, when using an Oxi additive along with your detergent, is designed to remove 99.9% of bacteria found in home laundry. Measure the detergent and the Oxi products carefully. Using the amounts appropriate for a large heavily soiled load in a top load washer, follow the detergent and the Oxi product label instructions. For the **Sanitize With Oxi** cycle only, add the clothes first and then place the detergent and Oxi product directly on top of the load. The washer hot water supply connection must provide a minimum of 120°F to ensure the effectiveness of this cycle.

NOTE: The **Sanitize with Oxi** cycle will use the **HOT** water and Extra Heavy soil setting regardless of the actual settings on the **Temperature** and **Soil Level** knobs. The lid will be locked during the wash cycle. **Start/Pause** can be pressed to unlock the lid. The **Stain PreTreat** option is not available.

Getting started

F Settings

Select settings for agitation (**Soil**) and water temperature (**Temp**).

NOTE: Longer **Spin** times typically reduce dryer time/energy usage (i.e. reduces total energy when using both a washer and a dryer).

Cold PLUS (on some models)

Select the **Cold PLUS** feature when looking to get a better clean in cold water while saving energy. **Cold PLUS** saves energy by using less water heater energy for cold water vs. normal default settings. When selecting **Cold PLUS** there will be additional agitation time to help improve cleaning performance vs. using cold water alone.

F Cycle Options (on some models)

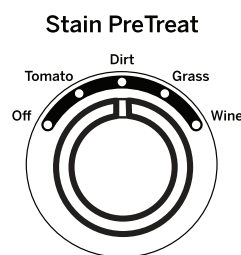
Stain PreTreat

The **Stain PreTreat** feature allows you to indicate what stains are on the garments in your load. An initial water fill is performed at a temperature tailored to the stain type selected and to an amount which enables a concentrated cleaning step. A stain scrubbing period, followed by an active soak, is conducted to effectively treat the stain. Then additional water is added to the selected temperature and the wash phase is conducted for the cycle selected. For washing normally soiled cotton clothing the **Stain PreTreat** option should be in the **Off** position.

This feature can be applied to most wash cycles as described in the cycle guide.

To use **Stain PreTreat**:

1. Select the desired wash cycle.
2. Select the stain to be treated under the **Stain PreTreat** options.



Stain PreTreat Guide

Category	Recommended Temperatures Treatment/Wash	Stain	For best results, before placing in washer:
Tomato	Cool/Warm	Sauce Catsup Salsa	Pretreat with liquid detergent or stain remover product; rinse with cool water.
Dirt	Cool/Warm	Dirt Clay Mud	Allow dirt to dry; remove loose dirt using a brush. Rinse with cool water.
Grass	Cold/Warm	Grass Lipstick Chocolate Gravy Mayonnaise BBQ Sauce	Pretreat with liquid detergent or stain remover product. Brush lightly; rinse with cold water.
Wine	Cool/Warm	Wine Soda Kool-Aid Tea Coffee Juice Beer	Pretreat with mixture of Oxi product and cool water. Add Oxi product along with detergent in the washer.

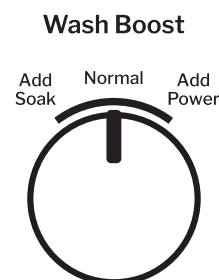
- Recommended temperatures are optimal for stain removal performance; adjust temperature selection to suit load being washed.
- Ensure stain is completely removed after wash cycle and before placing in dryer; very tough stains may require a second treatment.

Wash Boost (on some models)

The **Normal** setting balances wash performance, fabric care, and cycle time for normally soiled or lightly soiled loads.

Add Soak adds a series of soaks to reduce fabric wear and fading while still providing great wash performance on garments and helping with stains.

Use **Add Power** for additional agitation and soaking to boost wash performance for loads needing a deeper clean. This selection is ideal for heavier soiled items/loads.



Getting started

F Cycle Options - Continued

Deep Fill

Select the **Deep Fill** feature for loads where extra water is needed. The **Deep Fill** feature is recommended for special case loads only, not for typical use.

Press the **Deep Fill** button once before starting the cycle to add an incremental amount of water to the wash load. Holding the **Deep Fill** button for 3 seconds will provide the deepest fill level possible; this will increase cycle time due to the additional time it takes to fill the washer.

To cancel the option if desired, press the **Deep Fill** button again.

NOTE: The **Deep Fill** button can also be pressed after the washer has completed filling and is in the wash phase if additional water is desired. To stop the extra fill, press the **Deep Fill** button again and the water will stop.

Auto Soak

This option begins with a brief agitation, soaks for a specified period of time, then moves through the rest of the cycle automatically.

2nd Rinse

When you use extra detergent or bleach to clean heavily soiled clothes, use the **2nd Rinse** option to better remove additional residues.

Extra Spin

Select to provide additional spin time, increasing energy efficiency through reducing drying times.

2nd Rinse + Extra Spin

Provides both a second rinse and an extra spin.

Deep Rinse/Extra Rinse

Set this option to provide a deep rinse or when using fabric softener. This option may change other settings (e.g. **Spin** may go to a higher setting) to maximize performance.

Consumer Help Indicator

Your washer is equipped with Consumer Help Indicator (CHI). CHI is our way to communicate a simple remedy for some situations that you can perform without the need to call for service. The chart below describes the helpful lights you may notice flashing on the display.

Spin and Rinse lights (on some models)	If an out-of-balance condition is detected by the washer, the Spin light will blink during the remaining portion of the cycle and will stay illuminated for a short time after cycle completion. When the washer tries to redistribute the load, the Rinse light will be illuminated solid while the Spin light blinks (on some models). When this occurs, the washer is taking actions to correct the out-of-balance condition and complete the cycle normally. In some cases, the washer may not be able to balance the load and spin up to full speed. If you notice the load is more wet than normal at the end of the cycle, redistribute the load evenly in the wash basket and run a Drain & Spin cycle.
Fill light blinking (on some models)	The Fill light may flash if the washer was paused longer than 24 hours, water was left in the washer for 15 minutes with lid open (3 blinks), if during fill the washer doesn't sense water accumulating in the wash tub during preset period of time (2 blinks) or if the machine has stopped itself before the cycle completed due to certain faults. As soon as the light starts flashing, the washer will initiate a 4 minute control lock-out period and turn on the pump. The washer controls won't respond/change during this time. After the 4 minute period (pump sound stops), you can begin your cycle again. If you try to bypass the lock-out period by unplugging the washer, the 4 minute timer will start over again. If the problem persists, call GE Appliances at 800.GE.CARES (800.432.2737) for service.
Fill light (Water not entering washer) (2 blinks on some models)	Check your house water supply. Did you forget to turn on one or both supply valves after installation or coming back from vacation? As soon as the light starts to flash, the washer will initiate a 4 minute lock-out period. The washer controls won't respond/change during this time. After the 4 minutes, you can begin your cycle again. If you try to bypass the lock-out period by unplugging the washer, the 4 minute timer will start over again. A non-obvious Home Water Supply issue may exist.
Lid Locked/Unlocked light	Lid Locked/Unlocked light will flash if 3 cycles have been started without opening the lid. The washer will not start another cycle until the lid is opened. Try opening, then closing the lid and starting a new cycle. If the problem persists, call GE Appliances at 800.GE.CARES (800.432.2737) for service.

Getting started

Automatic Load Sensing

This determines the correct agitate profile, agitate duration and amount of water suited to the size and type of load placed in the washer. The washer will not start the wash cycle or fill with water if the lid is open. When the lid is closed the machine is able to begin filling with water in order to sense the load size.

NOTE: Automatic Load Sensing initiates a spin at the beginning of the cycle and will take as much as 3 minutes to complete (significantly shorter for smaller loads); this is normal operation.

NOTE: This is a high efficiency washing machine. This system requires less water while providing effective cleaning action. You may notice that the water level is lower than on your previous washer. This is normal.

Liquid Fabric Softener Dispenser (on some models)

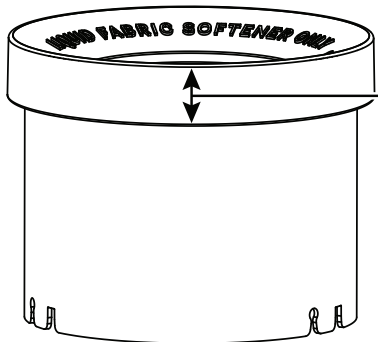
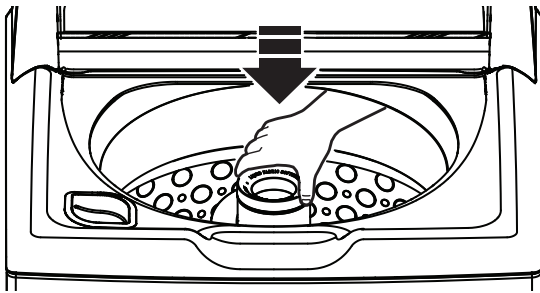
The **agitator cap** fits into the top of the agitator. If it accidentally comes off, simply put it back on.

The **fabric softener dispenser** automatically releases liquid fabric softener at the proper time during the cycle.

Do not stop the washer or raise the lid during the first spin. This will cause the dispenser to empty too soon.

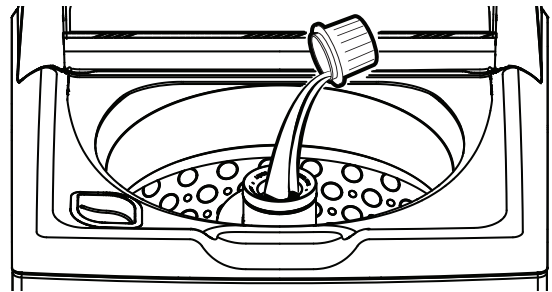
To use, follow these steps:

- 1 Make sure dispenser is securely attached to agitator.



ONLY this portion of the dispenser is visible once installed into agitator

- 2 Use only liquid diluted fabric softener. Pour into dispenser, using amount recommended on package.



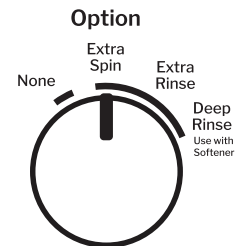
Never pour fabric softener directly on clothes. It may stain them.

- 3 Add water to dispenser until it reaches the maximum fill line.

Do not pour anything into the agitator if the agitator cap or dispenser is removed.



- 4 Select **Deep Rinse** or **Extra Rinse** option.

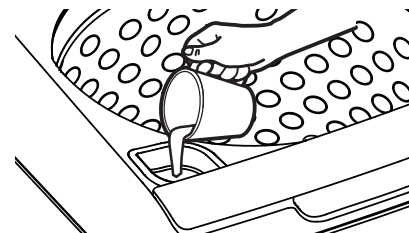


NOTE: Fabric softener may not dispense properly if the **Deep Rinse** or **Extra Rinse** option is not selected.

Liquid Bleach

Liquid chlorine bleach should be added through the bleach dispenser in the **front left corner**. Follow bleach manufacturer's recommendations for the correct amount of liquid chlorine bleach based on load size, taking care to not apply or spill it directly on clothing.

NOTE: Do not use liquid chlorine bleach and laundry pretreatments such as an Oxi product in the same wash load.



Pretreatment

Place laundry pretreatments, such as an Oxi product, directly in the bottom of the wash basket before loading clothes.

NOTE: Do not use liquid chlorine bleach and laundry pretreatments such as an Oxi product in the same wash load.

Loading

Always follow fabric manufacturer's care label when laundering.


Proper Use of Detergent

Using too little or too much detergent is a common cause of laundry problems.

Use less detergent if you have soft water, a smaller load or a lightly soiled load.

For spots, apply pre-treatment to items as recommended on the product label. Application should be made in the basket to prevent overspray which may cause the coloring on the lid or graphics to fade.

Place detergent packets in the bottom of the wash basket before adding clothes.

GE Appliances recommends the use of High Efficiency detergents such as  in your energy efficient washer. HE detergents are formulated to work with low water wash and rinse systems. HE detergents reduce the oversudsing problems commonly associated with regular detergents.

When using high efficiency or concentrated detergents, consult the product label to determine amount required for optimum performance. Excessive detergent will negatively impact wash performance.

Sorting Wash Loads

Sort by color (whites, lights, colors), soil level, fabric type (sturdy cottons, easy care, delicates) and whether the fabric produces lint (terry cloth, chenille) or collects lint (velveteen, corduroy). Wash lint producers such as cotton towels and socks separate from lint collectors including synthetic garments and dress pants.

⚠ WARNING - Fire Hazard

DO NOT wash fabrics soiled with flammable liquids or cleaning solvents.

No washer can completely remove oil.

DO NOT dry anything that has been soaked in or spotted with any type of oil.

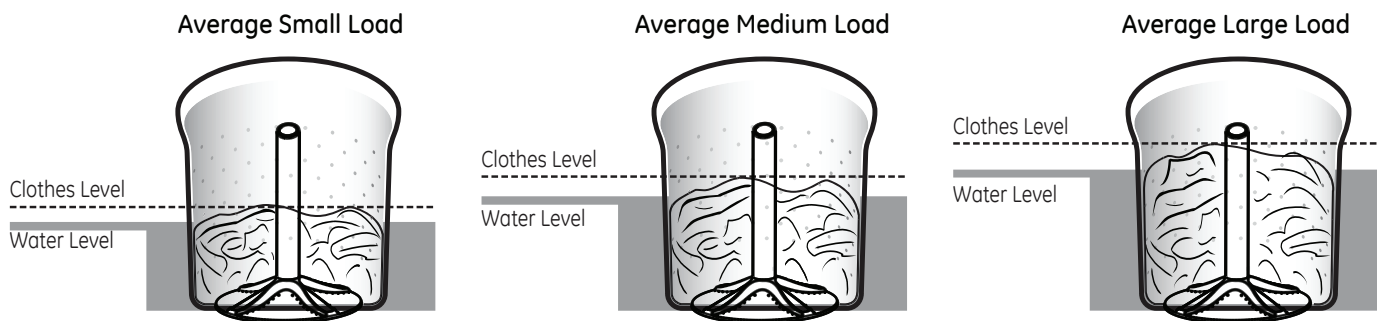
DO NOT reach into the washer until all moving parts have stopped.

Doing so can result in death, explosion, fire or amputation.

Loading the Washer

Load dry items loosely in the washer basket. For best results, load items evenly and loosely around the outside of the basket, filling in towards the center on larger loads. To add items after washer has started, press **Start/Pause** if the lid is locked; wait until the **Lid Lock** light is OFF and the **Unlocked** light is ON before attempting to open the lid. Lift the lid and submerge additional items around the outside of the basket. Close the lid and press **Start** to resume. Adjust water level selection and/or use **Deep Fill** option if necessary.

- On Infusor models, do not place large items such as sheets, blankets and towels across the Infusor. Load them around the outside of the basket.
- Do not put lawn or sofa cushions into the washer as they are too big to move. Remove outer covers and **ONLY** wash them.



Appliance communication

WiFi Connect (For customers in the United States only - on some models)

Your washer may be **GE Appliances WiFi Connect** compatible using the optional **GE Appliances ConnectPlus** module.

If compatible: To connect this appliance to the internet you will need to purchase a **GE Appliances ConnectPlus** and attach the module to your appliance through the communication port in the appliance. The **GE Appliances ConnectPlus** will allow your appliance to communicate with your smartphone for remote appliance monitoring, control and notifications.

WiFi Connectivity: For assistance with the appliance or the **GE Appliances ConnectPlus** network connectivity, please call GE Appliances Connected Home Support at **800.220.6899**.

Please visit www.GEAppliances.com/connect to learn more about connected appliance features, to learn what connected appliance apps will work with your smartphone and to learn where you can purchase a **ConnectPlus** module.

The **ConnectPlus** module has the FCC/IC ID located on the back of the module.

Part Number	Accessory
PBX10W00Y0	WiFi ConnectPlus module

Care and cleaning

⚠ WARNING - Electrical Shock Hazard

Certain internal parts are intentionally not grounded and may present a risk of electric shock only during servicing. **Service personnel – DO NOT** contact the following parts while the appliance is energized: Drive Motor, Lid Lock, Water Valves, Drain Pump and Recirculation Pump.

Exterior of the Washer

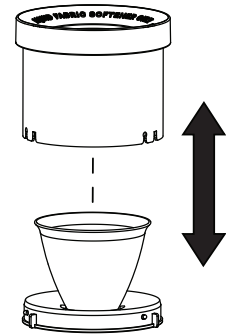
Immediately wipe off any spills with a damp cloth.

Interior of the Washer

Leave the lid open after washing to allow moisture to evaporate. If you want to clean the basket, use a clean soft cloth dampened with liquid detergent; then rinse. (Do not use harsh or gritty cleaners.)

Cleaning the Fabric Softener Dispenser (on some models)

- 1 Remove the dispenser from the top of the agitator.
- 2 Separate the dispenser cup from the cover by grasping the top and pushing down on the inside of the cup with your fingers. Dispenser cup will pop free from the cover.
- 3 To clean the dispenser, soak both the dispenser cup and the dispenser cover in the following solution:
 - 1 US gallon (3.8 liters) warm water
 - 1/4 cup (60 ml) heavy-duty liquid detergent
 - 1 cup (240 ml) bleach
- 4 If necessary, loosen buildup with a clean, soft cloth after soaking. Do not use a stiff brush; you may roughen the surface of the dispenser.
- 5 Rinse and reassemble dispenser. Place dispenser back on the agitator.



Separate for cleaning

Water Supply Hoses

Periodically inspect all water inlet hoses for water leaks, wear, cuts, corrosion, and bulges. Replace all hoses immediately if any sign of these failures appear. All hoses should be replaced every 5 years of use to reduce risk of hose failures and possible water damage. When replacing hoses, refer to the Installation Instructions for proper installation. **DO NOT** overtighten or cross thread fittings. **DO NOT** allow the hose to rub against sharp objects, become kinked, or become over stretched. Always ensure hose rubber gaskets are installed and free from leaks when pressurized.

Moving and Storage

Ask the service technician to remove water from drain pump and hoses. Do not store the washer where it will be exposed to the weather.

Long Vacations

Be sure water supply is shut off at faucets. Drain all water from hoses and water filter pump area if weather will be below freezing.

Installation Instructions

Washer

If you have any questions, call GE Appliances at 800.GE.CARES (800.432.2737) or visit our Website at: GEAppliances.com

BEFORE YOU BEGIN

Read these instructions completely and carefully.

- **IMPORTANT** – Save these instructions for local inspector's use.
- **IMPORTANT** – Observe all governing codes and ordinances.
- **Note to Installer** – Be sure to leave these instructions with the Consumer.
- **Note to Consumer** – Keep these instructions for future reference.
- **Skill level** – Installation of this appliance requires basic mechanical and electrical skills.
- **Completion time** – 1-3 hours
- Proper installation is the responsibility of the installer.
- Product failure due to improper installation is not covered under the Warranty.

PARTS SUPPLIED

- Drain Hose
- Owner's Reference Guide



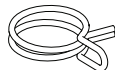
- Cable Tie



- Drain Hose Clip



- Clamp



TOOLS REQUIRED FOR WASHER INSTALLATION

- Pliers

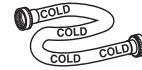
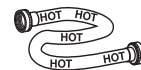


- Level



PARTS REQUIRED (Sold separately)

- Water Hoses (2)



- Rubber Washers (2) and Strainer Screens (2)



- Drain Hose Extension (For discharge heights from 60" - 96")

GE Appliances Parts and Accessories

Order on-line at GEApplianceparts.com today, 24 hours a day or by phone at 800.626.2002 during normal business hours.

Part Number	Accessory
PM14X10002	4 ft Rubber Water Supply Hoses
Or	
PM14X10005	4 ft Braided Metal Water Supply Hoses (Included with the GTW525 model only)
WH1X2267	Rubber Washer (1) and Screen (1)
WH49X301	Drain Hose Extension (For discharge heights from 60" - 96")

NOTE: We strongly recommend the use of new water supply hoses. Hoses degrade over time and need to be replaced every 5 years to reduce the risk of hose failures and water damage.

Installation Instructions

LOCATION OF YOUR WASHER

DO NOT Install the Washer:

1. In an area exposed to dripping water or outside weather conditions. The ambient temperature should never be freezing or near freezing for proper washer operation.
2. In an area where it will come in contact with curtains or drapes.
3. On carpet. The floor **MUST** be a hard surface with a maximum slope of 1/2" per foot (1.27 cm per 30 cm). To make sure the washer does not vibrate or move, you may have to reinforce the floor.

NOTE: If floor is in poor condition, use 3/4" impregnated plywood sheet solidly attached to existing floor covering.

IMPORTANT: Minimum Installation Clearances - Alcove or Closet

- If your washer is approved for installation in an alcove or closet, there will be a label on the back of the machine describing requirements.
- Minimum clearance between washer and adjacent walls or other surfaces: 0" either side, 2" front, 3" rear. Vertical space from floor to overhead shelving, cabinets, ceiling, etc. = 60".
- Closet doors must be louvered or otherwise ventilated and have at least 60 square inches of open area. If the closet contains both a washer and a dryer, doors must contain a minimum of 120 square inches of open area.

NOTE: The clearances stated on this label are minimums. Consideration must be given to providing adequate clearances for installing and servicing.

WATER SUPPLY REQUIREMENTS

WATER SUPPLY LINES - Purge Hot and Cold water supply lines for 30 seconds prior to installation of hoses and washing machine. Ensure inlet hose screens are also clean and free of debris.

WATER PRESSURE - Must be 20 psi minimum to 120 psi maximum. The 20 psi minimum pressure must be maintained while the washer is actively filling with both hot and cold valves on.

WATER TEMPERATURE - Household water heater should be set to deliver water at 120° to 150°F (50° to 66°C) TO THE WASHER when hot wash is selected.

SHUTOFF VALVES - Both hot and cold shutoff valves (faucets) should be supplied.

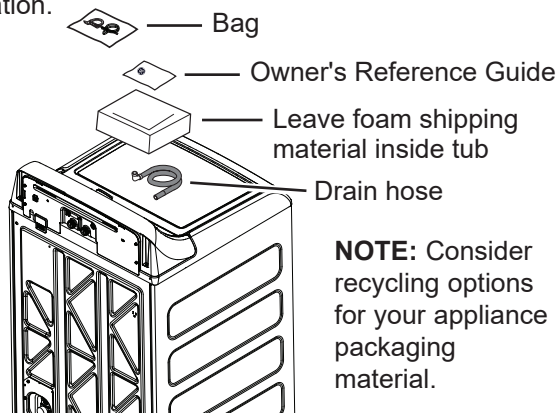
DRAIN - Water should be drained into standpipe. Discharge height **MUST NOT BE LESS THAN 30 INCHES**, and no more than 8 feet above the base of the washer. Standpipe must be 1-1/2 inches minimum inside diameter and must be open to atmosphere.

1 UNPACKING THE WASHER

After the machine is in the home, remove outside packing material/carton from washer.

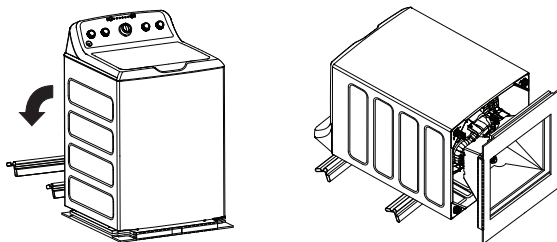
Remove bag (containing clamp, cable tie and drain hose clip), drain hose and Owner's Reference Guide from tub.

NOTE: Leave foam shipping material inside tub opening to hold tub in place during the rest of installation.



2 REMOVE THE BASE

Remove base from unit by placing foot on side of base and tipping unit back on corner post. Remove base and bring the washer back upright.



⚠ WARNING ⚡ - Electrical Shock Hazard

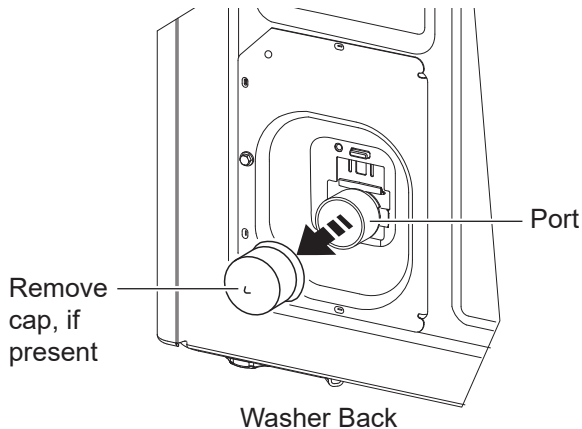
Certain internal parts are intentionally not grounded and may present a risk of electric shock only during servicing.

Service personnel – DO NOT contact the following parts while the appliance is energized: Drive Motor, Lid Lock, Water Valves, Drain Pump and Recirculation Pump.

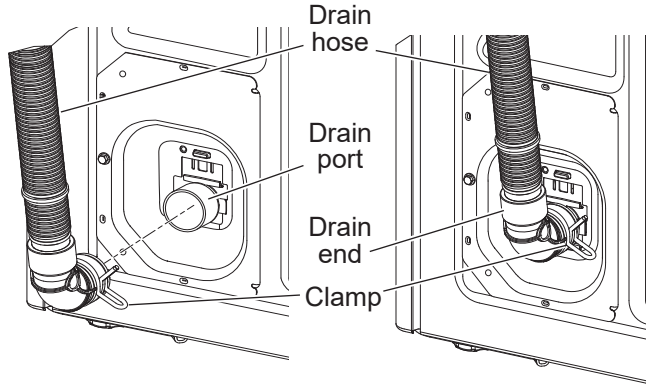
Installation Instructions

3 CONNECT DRAIN HOSE TO WASHER

Remove the cap from the drain port, if present, before installing the drain hose. It is normal for a small amount of residual water from the factory quality test process to drain out of the port when removing the cap.



Connect drain hose to drain port on back of washer. Open clamp with pliers and slide onto hose end. Holding clamp open, push hose end onto drain port until fully seated. Release clamp between locating ribs on hose end. Outlet of hose end should be oriented vertically.



WATER SUPPLY HOSES

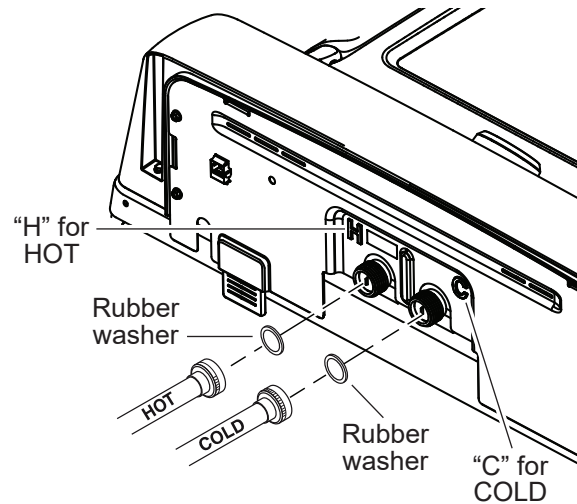
Periodically inspect all water inlet hoses for water leaks, wear, cuts, corrosion, and bulges. Replace all hoses immediately if any sign of these failures appear. All hoses should be replaced every 5 years of use to reduce risk of hose failures and possible water damage. When replacing hoses, refer to the Installation Instructions for proper installation. DO NOT overtighten or cross thread fittings. DO NOT allow the hose to rub against sharp objects, become kinked, or become over stretched. Always ensure hose rubber gaskets are installed and free from leaks when pressurized.

4 CONNECT WATER HOSES TO WASHER

Unplug electrical cord before installing water hoses. If not installed, install rubber washer in one end of hot water hose. Thread hot water hose onto connection labeled **H** at top rear of washer. Hand tighten and use pliers to tighten hoses between 1/8 and 1/4 turn beyond hand-tight.

If not installed, install rubber washer in one end of cold water hose. Thread cold water hose onto connection labeled **C** at top rear of washer. Hand tighten and use pliers to tighten hoses between 1/8 and 1/4 turn beyond hand-tight.

Move washer as close to final location as possible, leaving room for you to make water, drain, and electrical connections to your home.



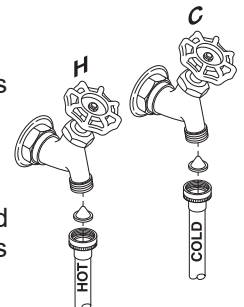
5 CONNECT WATER HOSES TO OUTLET VALVES

Determine which is HOT water line before attaching water hoses to faucets. Traditionally, HOT faucet is on left.

(If screen washers are not installed) With protruding part of screen toward you, install strainer screen/rubber washer into each of the free ends of two water hoses.

Connect hot water hose to hot water outlet valve of your home. Hand tighten and use pliers to tighten hoses between 1/4 and 1/2 turn beyond hand-tight. Open hot water valve.

Connect cold water hose to cold water outlet valve of your home. Hand tighten and use pliers to tighten hoses between 1/4 and 1/2 turn beyond hand-tight. Open cold water valve.



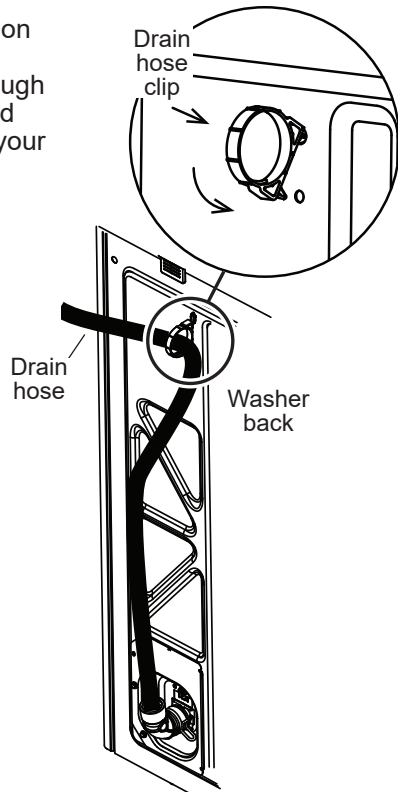
Check for leaks and drips at the hose couplings. Tighten as necessary.

Installation Instructions

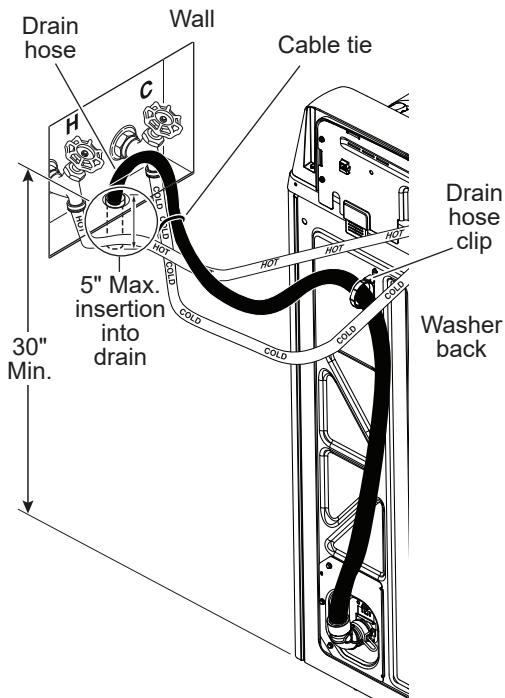
6 CONNECT TO DRAIN

Install drain hose clip on rear panel of washer. Route drain hose through clip and insert free end into drain opening of your home.

NOTE: If longer drain hose is required, order drain hose extension kit, GE Appliances part number WH49X301. Connect additional drain hose (contained in kit) to original hose with hose clamp (contained in kit).



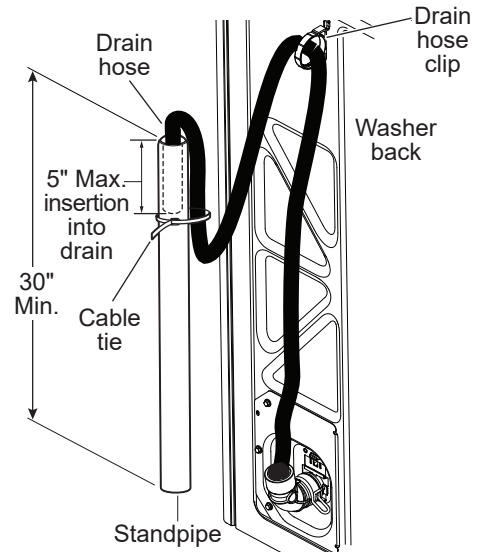
If water valves and drain are built into wall, fasten drain hose to one of the water hoses with cable tie provided.



NOTE: Placing the drain hose too far down the drain pipe can cause a siphoning action. No more than 5" of hose should be in the drain pipe. There must be an air gap around the drain hose. A snug fit can also cause a siphoning action.

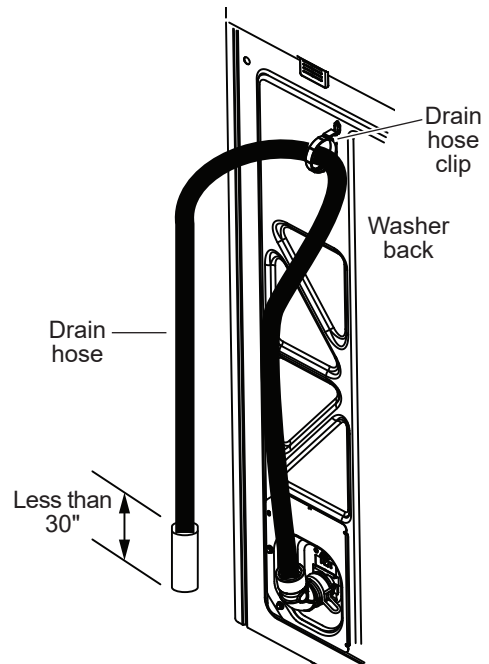
6 CONNECT TO DRAIN (Continued)

If your drain is a standpipe, fasten drain hose to standpipe with cable tie provided.



NOTE: Placing the drain hose too far down the drain pipe can cause a siphoning action. No more than 5" of hose should be in the drain pipe. There must be an air gap around the drain hose. A snug fit can also cause a siphoning action.

If drain discharge height does not meet 30" minimum height requirement, end of drain hose must be secured in drain opening of home by installer and have an air gap around hose to prevent siphoning.



NOTE: Placing the drain hose too far down the drain pipe can cause a siphoning action. No more than 5" of hose should be in the drain pipe. There must be an air gap around the drain hose. A snug fit can also cause a siphoning action.

Installation Instructions

ELECTRICAL REQUIREMENTS

⚠ WARNING - Electrical Shock Hazard

Plug into a grounded 3-prong outlet.

DO NOT remove ground prong.

DO NOT use an adapter.

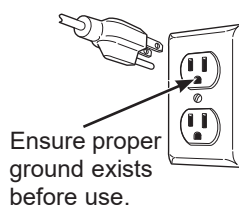
DO NOT use an extension cord.

Failure to follow these instructions can result in death, fire or electrical shock.

CIRCUIT – Individual, properly polarized and grounded 15 or 20 amp circuit breaker or time-delay fuse.

POWER SUPPLY – 2 wire plus ground, 120 Volt, single phase, 60 Hz, alternating current.

Outlet Receptacle – Properly grounded 3-prong receptacle to be located so the power cord is accessible when the washer is in an installed position. If a 2-prong receptacle is present, it is the owner's responsibility to have a licensed electrician replace it with a properly grounded 3-prong grounding type receptacle.



Washer must be electrically grounded in accordance with local codes and ordinances, or in the absence of local codes, with latest edition of the NATIONAL ELECTRICAL CODE, ANSI/NFPA NO. 70 or CANADIAN ELECTRICAL CODE, CSA C22.1. Check with a licensed electrician if you are not sure that the washer is properly grounded.

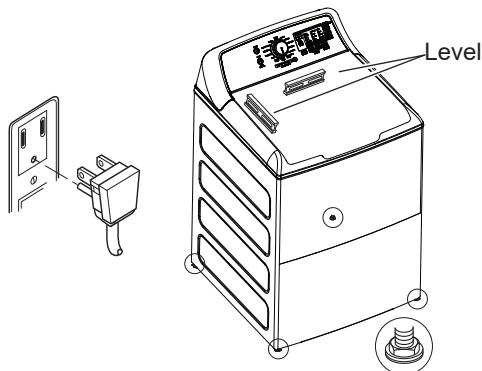
7 CONNECT POWER AND INSTALL

Make sure the large dial control (on some models) on the washer is pushed in to the OFF position.

Insert plug of electrical cord into a 115V, 15- or 20-amp wall receptacle. Move washer into final position. Place level on flat top side edges of washer. Adjust all four leveling legs until washer is level left-to-right and front-to-back. Remove level.

Open tub lid. Remove and discard tub shipping material (see Step 1).

Remove plastic protector sheet from control panel face.



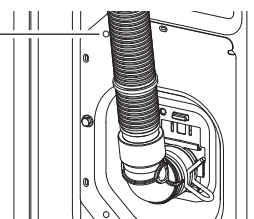
GROUNDING INSTRUCTIONS

This appliance must be grounded. In the event of malfunction or breakdown, grounding will reduce the risk of electric shock by providing a path of least resistance for electric current. This appliance is equipped with a cord having an equipment-grounding conductor and a grounding plug. The plug must be plugged into an appropriate outlet that is properly installed and grounded in accordance with all local codes and ordinances.

⚠ WARNING Improper connection of the equipment-grounding conductor can result in a risk of electrical shock. Check with a qualified electrician, or service representative or personnel, if you are in doubt as to whether the appliance is properly grounded. **DO NOT** modify the plug on the power supply cord. If it will not fit the outlet, have a proper outlet installed by a qualified electrician.

If required by local codes, an external 18 gauge or larger copper ground wire (not provided) may be added. Attach to washer cabinet with a #10-16 x 1/2" sheet metal screw (available at any hardware store) to rear of washer as illustrated.

Attach ground wire and ground screw (obtain locally)



Washer back

Mobile Home Installation:

Installation must conform to Standard for Mobile Homes, ANSI A119.1 and National Mobile Home Construction and Safety Standards Act of 1974 (PL93-383).



FINAL CHECKLIST

Before starting the washer, check to make sure:

- Main power is turned on.
- The washer is plugged in.
- The water faucets are turned on.
- The unit is level and all four leveling legs are firmly on the floor.
- The shipping foam and cardboard are removed.
- The drain hose is properly tied up.
- There are no leaks at the faucet, drain line or washer.
- Remove the cap from the drain port, if present, before installing the drain hose.

Notes

Troubleshooting Tips... Before you call for service

Problem	Possible Causes	What To Do
Short spray and delay after pushing the Start button	Lid was opened and closed between cycle selection and start	This is normal. See START-UP SEQUENCE in the Safety Instructions section.
Water level seems low	This is normal	Water may not cover the top level of the clothes. This is normal for this high efficiency washer.
Low water flow	Water valve screens are stopped up	Turn off the water source and remove the water connection hoses from the upper back of the washer and the water faucets. Clean both the hose screens (if so equipped) and the screens in the machine using a brush or a toothpick. Reconnect the hoses and turn the water back on. Check to ensure there are no leaks at the connections.
Water siphoning out of washer	Drain standpipe is too low or hose too far into standpipe	The drain hose must exceed 30" height at some point between the washer back and the drain pipe. Use anti-siphon clip. See the Installation Instructions .
Too many suds	Soft water	Try less detergent.
	Too much detergent	Measure your detergent carefully. Use less soap if you have soft water, a smaller load or a lightly soiled load.
	Type of detergent	Switch to High Efficiency detergent such as  .
Water leaks	Type of detergent	Switch to High Efficiency detergent such as  .
	Using too much detergent in washer	Use less detergent. Use less soap if you have soft water, a smaller load or a lightly soiled load.
	Fill hoses or drain hose is improperly connected	Make sure hose connections are tight at faucets and rubber washers are installed. Make sure end of drain hose is correctly inserted in and secured to drain facility.
	Household drain clogged	Check household plumbing. You may need to call a plumber.
	Drain hose rubs on wall	Make sure drain hose does not make contact with the wall. May cause excessive wear on the hose.
	Constant water pressure to fill hoses at water source	Tighten hoses at the faucets. Check condition of the fill hoses; they should be replaced every 5 years.
Water temperature seems incorrect	Cooler water temperatures provide improved energy efficiency	New laundry detergents have been formulated to work with cooler water temperatures without affecting wash performance.
	Water supply is turned off or improperly connected	Turn both hot and cold faucets fully on and make sure hoses are connected to correct faucets. NOTE: Water valves are marked "H" and "C".
	Water valve screens are stopped up	Turn off the water source and remove the water connection hoses from the upper back of the washer and the water faucets. Clean both the hose screens (if so equipped) and the screens in the machine using a brush or a toothpick. Reconnect the hoses and turn the water back on. Check to ensure there are no leaks at the connections.
	Cool/Cold Water when selecting Hot	This is normal. The washer senses water temperature (on some models) and optimizes for best results. Cold water is added periodically when hot is selected.
	House water heater is not set properly	Make sure house water heater is delivering water at 120°F–140°F (48°C–60°C).
Water pumped out before cycle is complete	Water was left in unit for 24 hours with lid closed or 15 minutes with lid open	Previous cycle has been cancelled. Close lid, select new cycle, and start machine.
Water won't drain	Drain hose is kinked or improperly connected	Straighten drain hose and make sure washer is not sitting on it. Top of drain outlet should be less than 8 ft (2.44 m) above floor.

Troubleshooting Tips... Before you call for service

Problem	Possible Causes	What To Do
Washer spins and pauses at the beginning of cycles	This is normal	The washer is sensing the load.
Washer pauses during wash cycle	The Soak Option was chosen	This is normal. The washer alternates between agitate and soak during these cycles to get your clothes cleaner with less wear.
	This is normal	Many cycles incorporate as series of soaks within the agitation period to get your clothes clean with less wear.
Laundry additives dispensing too soon (Dispensers on some models)	Overfilling of dispensers	Do not overfill or add water to dispenser. Select Deep Rinse/Extra Rinse option when using fabric softener.
Washer pauses during spin cycle	This is normal	The washer may pause during the spin cycle to remove soapy water more efficiently.
Washer won't operate	Washer is unplugged	Make sure cord is plugged securely into a working outlet.
	Water supply is turned off	Turn both hot and cold faucets fully on.
	Lid is open—safety feature prevents agitation and spinning when lid is up	Close lid and press Start .
	Circuit breaker/fuse is tripped/blown	Check house circuit breakers/fuses. Replace fuses or reset breaker. Washer should have a separate outlet.
	Electronics need to be reset	Unplug washer, wait 2 minutes, plug back in and press Start .
	Start was not pressed	Press Start .
Detergent packets not dissolving	Laundry detergent packet placed in dispenser	Laundry detergent packets should not be used in the dispensers. They should only be added directly to the wash basket following the manufacturer's directions.
Unexplained time and/or settings changes	Changing options (on some models)	This is normal. Several options will change other options to maximize washer performance.
Basket seems loose	Basket moves or rotates freely	Washer basket does not have a traditional brake. Washer basket will move freely. This is normal.
Agitator seems loose (on some models)	Agitator top moves/has side-to-side movement	Agitator top is designed to be flexible to allow for care of large bulky items such as comforters; this is normal.
Colored spots	Incorrect use of fabric softener	Check fabric softener package for instructions and follow directions for using dispenser. Make sure you have selected the Deep Rinse/Extra Rinse option. (on some models) Pretreat stain and rewash using Quick Wash cycle before drying. (on some models)
	Dye transfer	Sort whites or lightly colored items from dark colors.
Grayed or yellowed clothes	Detergent amount	Be sure to follow detergent manufacturer's directions.
	Hard water	Use a water conditioner or install a water softener.
	Water is not hot enough	Make sure water heater is delivering water at 120°F–140°F (48°C–60°C).
	Washer is overloaded	Loosely load clothes no higher than the top row of holes in the washer basket. For best results, load items around the outside of the basket.
	Dye transfer	Sort clothes by color. If fabric label states wash separately, unstable dyes may be indicated.

Troubleshooting Tips... Before you call for service

Problem	Possible Causes	What To Do
Lint or residue on clothes	Clothes are air or line dried	If you do not dry your clothes with a clothes dryer, your clothes may retain more lint.
	Incorrect sorting	Separate lint producers from lint collectors.
	Washing too long	Wash small loads for a shorter time using Light Soil setting.
	Detergent not dissolving	Rewash; next time: Try a liquid detergent Use warmer water temperature.
	Overloading	Loosely load clothes in the washer basket. For best results, load items around the outside of the basket.
	Incorrect use of fabric softener	Check fabric softener package for instructions and follow directions for using dispenser. Make sure you have selected the Deep Rinse/Extra Rinse option. (on some models)
Clothes too wet	Incorrect cycle selected	Make sure the cycle selected matches the load you are washing. Some fabrics will feel wetter when rinsed with cold water.
	Wash load out of balance	Redistribute load in washer and run through Drain & Spin cycle.
Blinking Spin light or Spin light on at end of cycle	Out of balance condition has been detected	Allow cycle to continue and finish. If load is wet at the end of the cycle, even out load and run a Drain & Spin cycle.
Pilling	Result of normal wear on poly-cotton blends and fuzzy fabrics	While this is not caused by the washer, you can slow the pilling process by washing garments inside out.
Snags, holes, tears, rips or excessive wear	Pins, snaps, hooks, sharp buttons, belt buckles, zippers and sharp objects left in pockets	Fasten snaps, hooks, buttons and zippers. Remove loose items like pins, objects in pockets and sharp buttons. Turn knits (which snag easily) inside out.
	Undiluted chlorine bleach	Check bleach package instructions for proper amount. Never add undiluted bleach to wash or allow clothes to come in contact with undiluted bleach.
	Chemicals like hair bleach or dye, permanent wave solution	Rinse items that may have chemicals on them before washing. Use Quick Wash cycle with Extra Rinse option. (on some models)
Wrinkling	Incorrect wash and dry cycles	Match Cycle selection to the type of fabric you are washing (especially for easy care loads).
	Improper sorting	Avoid mixing heavy items (like jeans) with light items (like blouses). Try a fabric softener.
	Overloading	Loosely load clothes in the washer basket.
	Repeated washing in water that is too hot	Wash in warm or cold water.

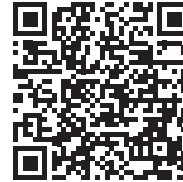
Troubleshooting Tips... Before you call for service

Sounds	Possible Causes	Reason
“Clicking”	Shifter mechanism is engaging or disengaging	The drive system will engage at the start of agitate and disengage when agitate is complete. This occurs multiple times during the wash.
Back and forth “swoosh”	Electric motor reversing direction	This sound is the motor rotating back and forth to clean your laundry.
“Clicking” behind Control during fill	Automatic Temperature Control Valve	Two valves mix cold and hot water. The “clicking” is when either valve turns on or off to raise or lower the fill water temperature.
Water flow changes during fill	Automatic Temperature Control Valve	Two valves mix cold and hot water. The “clicking” is when either valve turns on or off to raise or lower the fill water temperature.
Motor sounds during spin	Motor ramping up/down during spin cycle	The motor will speed up incrementally during the spin cycle. When spin is complete, it will coast until it stops.
“Humming”	Water drain pump	The drain pump will make a humming sound when pumping out water after agitation stops and continue until spin is complete.
	Drive motor	The drive motor will make a “humming” sound during the wash and spin phases of the cycle.
“Gurgling”	Water drain pump	When the pump starts drawing in air, it starts to gurgle. The washer should then begin spinning and the sound will continue until it is done spinning.
Water “swishing”	Washing process	Water swishing while the unit is agitating is normal, especially with smaller loads.
Washer rocking/moving	Washer leveling legs uneven	To level the washer, adjust the leveling legs by rotating the individual leg in the proper direction for up or down.
“Squeaking” sound	Washer not level and rubbing on cabinet	To level the washer, adjust the leveling legs by rotating the individual leg in the proper direction for up or down.

Washer sounds that may be different from your prior washer:

Clicks, water flowing, gear sounds followed by pauses, and electric hum sounds are all part of the normal wash cycle.

To listen and watch videos of normal washer operation, please go to <http://products.geappliances.com/appliance/gea-support-search-content?contentid=23061> or scan the QR code.



GE Appliances/Hotpoint Washer Limited Warranty

LIMITED WARRANTY

GEAppliances.com

All warranty service is provided by our Factory Service Centers, or an authorized Customer Care® technician. To schedule service online, visit us at GEAppliances.com/service, or call GE Appliances at 800.GE.CARES (800.432.2737). Please have your serial number and your model number available when calling for service.

Servicing your appliance may require the use of the onboard data port for diagnostics. This gives a GE Appliances factory service technician the ability to quickly diagnose any issues with your appliance and helps GE Appliances improve its products by providing GE Appliances with information on your appliance. If you do not want your appliance data to be sent to GE Appliances, please advise your technician not to submit the data to GE Appliances at the time of service.

NOTE: For non-residential or multi-housing applications (e.g., apartment complexes, hotels, multi-family housing, etc.), the **limited warranty** is **one-year** for **any part** of the washer which fails due to a defect in materials or workmanship only. You will be responsible for any labor and related service costs.

For the period of:	We will replace:
One year From the date of the original purchase	Any part of the washer which fails due to a defect in materials or workmanship. During this limited one-year warranty , we will also provide, free of charge , all labor and related service to replace the defective part.

Additional Warranty for GTW585, GTW538, GTW485, GTW480 models only:

Ten years From the date of the original purchase	The motor , if it should fail due to a defect in materials or workmanship. During this additional nine-year limited warranty , you will be responsible for any labor and related service costs.
--	---

Additional Warranties for GTW525 model only:

Five years From the date of the original purchase	Any part of the washer which fails due to a defect in materials or workmanship. During this limited five-year warranty , we will also provide, free of charge , all labor and related service to replace the defective part.
Ten years From the date of the original purchase	The motor , if it should fail due to a defect in materials or workmanship. During this additional nine-year limited warranty , you will be responsible for any labor and related service costs.
Lifetime of Product From the date of the original purchase	The stainless steel basket , if it should fail due to rust or corrosion of the stainless steel. During this additional LIFETIME limited warranty , you will be responsible for any labor and related service costs.

Staple your receipt here. Proof of the original purchase date is needed to obtain service under the warranty.

What is not covered:

- Service trips to your home to teach you how to use the product.
- Improper installation, delivery or maintenance.
- Failure of the product if it is abused, misused, or used for other than the intended purpose or used commercially.
- Replacement of house fuses or resetting of circuit breakers.
- Products which are not defective or broken, or which are working as described in the Owner's Manual.
- Damage to the product caused by accident, fire, floods or acts of God.
- Incidental or consequential damage caused by possible defects with this appliance.
- Defects or damage due to operation in freezing temperatures.
- Damage caused after delivery.
- Product not accessible to provide required service.
- Damage to the stainless steel basket caused by misuse with chemicals in non-residential or multi-housing applications.

EXCLUSION OF IMPLIED WARRANTIES

Your sole and exclusive remedy is product repair as provided in this Limited Warranty. Any implied warranties, including the implied warranties of merchantability or fitness for a particular purpose, are limited to one year or the shortest period allowed by law.

This limited warranty is extended to the original purchaser and any succeeding owner for products purchased for home use within the USA. If the product is located in an area where service by a GE Appliances Authorized Servicer is not available, you may be responsible for a trip charge or you may be required to bring the product to an Authorized GE Appliances Service location for service. In Alaska, the limited warranty excludes the cost of shipping or service calls to your home.

Some states do not allow the exclusion or limitation of incidental or consequential damages. This limited warranty gives you specific legal rights, and you may also have other rights which vary from state to state. To know what your legal rights are, consult your local or state consumer affairs office or your state's Attorney General.

Warrantor: GE Appliances, a Haier company Louisville, KY 40225

Extended Warranties: Purchase a GE Appliances extended warranty and learn about special discounts that are available while your warranty is still in effect. You can purchase it online anytime at

GEAppliances.com/extended-warranty

or call 800.626.2224 during normal business hours. GE Appliances Service will still be there after your warranty expires.

Consumer Support

GE Appliances Website

Have a question or need assistance with your appliance? Try the GE Appliances Website 24 hours a day, any day of the year! You can also shop for more great GE Appliances products and take advantage of all our on-line support services designed for your convenience. GEAppliances.com.

Register Your Appliance

Register your new appliance on-line at your convenience! Timely product registration will allow for enhanced communication and prompt service under the terms of your warranty, should the need arise. You may also mail in the pre-printed registration card included in the packing material. GEAppliances.com/register.

Schedule Service

Expert GE Appliances repair service is only one step away from your door. Get on-line and schedule your service at your convenience any day of the year. GEAppliances.com/service or call 800.432.2737 during normal business hours.

Extended Warranties

Purchase a GE Appliances extended warranty and learn about special discounts that are available while your warranty is still in effect. You can purchase it on-line anytime. GE Appliances Services will still be there after your warranty expires. GEAppliances.com/extended-warranty or call 800.626.2224 during normal business hours.

Remote Connectivity

For assistance with wireless network connectivity (for models with remote enable), visit our website at GEAppliances.com/connect or call 800.220.6899.

Parts and Accessories

Individuals qualified to service their own appliances can have parts or accessories sent directly to their homes (VISA, MasterCard and Discover cards are accepted). Order on-line today 24 hours every day.

GEApplianceparts.com or by phone at 877.959.8688 during normal business hours.

Instructions contained in this manual cover procedures to be performed by any user. Other servicing generally should be referred to qualified service personnel. Caution must be exercised, since improper servicing may cause unsafe operation.

Contact Us

If you are not satisfied with the service you receive from GE Appliances, contact us on our Website with all the details including your phone number, or write to:

General Manager, Customer Relations | GE Appliances, Appliance Park | Louisville, KY 40225
GEAppliances.com/contact or call 800.626.2000



LAVADORAS

INSTRUCCIONES DE SEGURIDAD 3

USAR LA LAVADORA

Primeros pasos5

Indicador de ayuda al consumidor 13

Cargando15

Comunicación del electrodoméstico16

CUIDADO Y LIMPIEZA.....17

INSTRUCCIONES DE INSTALACIÓN18

CONSEJOS PARA LA RESOLUCIÓN DE PROBLEMAS 24

GARANTÍA LIMITADA 29

ASISTENCIA PARA EL CONSUMIDOR 30

MANUAL DEL PROPIETARIO E INSTRUCCIONES DE INSTALACIÓN

- GTW540
- GTW538
- GTW525
- GTW500
- GTW490
- GTW485
- GTW480
- GTW465
- GTW385
- GTW335
- GTW325
- GTW220
- HTW265
- HTW240

ESPAÑOL

Escriba los números de modelo y serie a continuación:

N.º de modelo _____

N.º de serie _____

Se los encuentra debajo de la tapa de la lavadora.

GRACIAS POR PERMITIR QUE GE APPLIANCES FORME PARTE DE SU HOGAR.

Ya sea que haya crecido usando GE Appliances, o que esta sea su primera vez, nos complace tenerlo en la familia.

Nos enorgullecemos del trabajo, la innovación y el diseño que se incluyen en todos los productos de GE Appliances, y creemos que usted también sentirá lo mismo. Entre otras cosas, el registro de su lavadora garantiza que podamos enviarle información importante sobre el producto y detalles de la garantía cuando los necesite.

Registre ahora su lavadora GE en Internet. Los sitios web y números de teléfono útiles están disponibles en la sección Asistencia para el consumidor de este Manual del propietario. También puede enviar por correo la tarjeta de registro preimpresa que se incluye en el material de embalaje.



INFORMACIÓN IMPORTANTE DE SEGURIDAD

LEA TODAS LAS INSTRUCCIONES ANTES DE USAR

⚠️ ADVERTENCIA

Para reducir el riesgo de muerte, incendio, explosión, descargas eléctricas o lesiones al usar su lavadora, tome las precauciones básicas, incluyendo lo siguiente:

- Lea todas las instrucciones antes de usar esta lavadora.
- Siga todas las instrucciones y advertencias de cuidado de telas para evitar el derretimiento de las prendas o daños a la lavadora.
- **NO** lave ni seque prendas que hayan sido previamente lavadas, remojadas o manchadas con gasolina, solventes de limpieza en seco, u otras sustancias inflamables o explosivas, ya que despiden vapores que pueden prender en fuego o explotar.
- **NO** agregue gasolina, solventes de limpieza en seco u otras sustancias inflamables o explosivas al agua de lavado. Estas sustancias despiden vapores que pueden prender en fuego o explotar.
- Bajo ciertas condiciones, se podría producir gas de hidrógeno en un sistema de agua caliente que no fue usado durante 2 semanas o más. **EL GAS DE HIDRÓGENO ES UN EXPLOSIVO.** Si el sistema de agua caliente no fue usado durante dicho período, antes de usar la lavadora, abra todos los grifos de agua caliente y deje que corra el agua por cada uno durante varios minutos. Esto liberará cualquier gas de hidrógeno acumulado. Debido a que el gas es inflamable, **NO** fume ni use una llama abierta durante este proceso.
- Riesgo de asfixia y lesiones por atrapamiento: **NO** permita que los niños jueguen sobre esta lavadora o dentro de ella. Cuando la lavadora se use cerca de niños, será necesario supervisarlos de cerca. Antes de dejar la lavadora fuera de servicio o de deshacerse de esta, quite la puerta o la tapa. Si no se siguen estas instrucciones, podría provocar lesiones o la muerte.
- **NO** introduzca las manos en la lavadora si la canasta o el agitador se encuentra en movimiento a fin de evitar enredos accidentales.
- Para prendas impermeables, resistentes al agua y voluminosas, utilice solamente el ciclo **Bulky** (Carga pesada) (o **Delicates** (Delicados)). **NO** utilice otros ciclos para estas prendas. El uso de otros ciclos puede causar vibraciones excesivas y daños a la lavadora, las paredes o el piso. **NO** mezcle prendas impermeables y no impermeables.
- **NO** instale ni guarde esta lavadora expuesta a los factores climáticos.
- **NO** manipule indebidamente los controles, repare ni reemplace cualquier parte de la lavadora o realice cualquier otro trabajo técnico, a menos que esto sea específicamente recomendado en las instrucciones de mantenimiento del usuario o en instrucciones publicadas sobre reparaciones del usuario que entienda y para las cuales posea las habilidades necesarias.
- **NO** intente usar esta lavadora si se encuentra dañada, funcionando mal, parcialmente desensamblada o si tiene partes faltantes o rotas, incluyendo un cable o enchufe dañado.
- **NO** utilice piezas de repuesto que no hayan sido recomendadas por el fabricante. (Por ejemplo: piezas fabricadas en casa con una impresora 3D.)
- Desenchufe la lavadora o apague el disyuntor antes de realizar el servicio técnico. Presionar el botón **Start** (Inicio) **NO** desconecta el suministro de energía.
- **NO** se suba ni se pare en esta unidad.
- Para acceder a las instrucciones de conexión a tierra, lea los "REQUISITOS ELÉCTRICOS" en las Instrucciones de Instalación.

Forma adecuada de descartar su lavadora

- Descarte o recicle su lavadora de acuerdo con las Regulaciones Federales y Locales. Comuníquese con las autoridades locales para descartar o reciclar su lavadora de forma segura para el medio ambiente.

PIEZAS Y ACCESORIOS

Solicítelos hoy mismo en Internet en **GEApplianceparts.com** las 24 horas del día o por teléfono al 877.959.8688 en horario normal de trabajo.

Número de Pieza	Accesorio
WH49X301	Extensión de la manguera de drenaje
PM14X10002 O	Mangueras de goma de suministro de agua de 4 pies
PM14X10005	Mangueras trenzadas de suministro de agua de 4 pies (Incluido únicamente con el modelo GTW525)
PM7X1	Bandeja del piso de la lavadora

INFORMACIÓN IMPORTANTE DE SEGURIDAD

LEA TODAS LAS INSTRUCCIONES ANTES DE USAR

INSTALACIÓN ADECUADA

Antes de usarla, esta lavadora debe instalarse y ubicarse de forma correcta, de acuerdo con las instrucciones de instalación.

- Asegúrese de que la manguera de agua caliente esté conectada a la válvula "H" y que la manguera de agua fría esté conectada a la válvula "C".
- Instálela o colóquela donde no quede expuesta a temperaturas bajo cero ni a la intemperie, ya que podría causar daños permanentes e invalidar la garantía.
- Conecte a tierra la lavadora de forma correcta para cumplir con todos los códigos y las ordenanzas vigentes. Siga las Instrucciones de instalación.

⚠ ADVERTENCIA - Riesgo de descarga eléctrica

Enchufe en un tomacorriente de 3 clavijas con conexión a tierra.

NO retire el terminal de tierra.

NO UTILICE use un adaptador.

NO UTILICE use un enchufe adaptador.

Si no se siguen estas instrucciones, se puede producir la muerte, un incendio o descargas eléctricas.

- Asegúrese de que la lavadora esté nivelada de forma correcta y de que las patas de la lavadora estén ajustadas de manera que la unidad esté estable.
- Se recomienda una extensión opcional de la manguera de drenaje para las alturas de descarga de 60" a 96".
- GE Appliances recomienda especialmente el uso de piezas especificadas de fábrica. Se incluye una lista de mangueras de fábrica disponibles para la compra. Estas mangueras se fabrican y prueban para cumplir con las especificaciones de GE Appliances.
- GE Appliances recomienda especialmente el uso de nuevas mangueras de suministro de agua. Las mangueras se desgastan con el tiempo y deben reemplazarse cada 5 años para reducir el riesgo de fallas en las mangueras y daños provocados por el agua.
- Tenga en cuenta las opciones de reciclaje del material de embalaje de su lavadora.

SECUENCIA DE INICIO

- Cuando se inicia por primera vez el ciclo de lavado, verá un patrón de luces parpadeantes que se extienden de derecha a izquierda a través de las luces **Spin** (Centrifugar), **Rinse** (Enjuagar), **Wash (Lavar)**, **Soak** (Remojar) y **Fill** (Llenar) (en algunos modelos). En algunos modelos, todos los LED se apagarán durante más de 10 segundos antes de que se encienda la luz de **Fill** (Llenar).
- Cada vez que la lavadora se inicie o se reinicie después de abrir y cerrar la tapa, se abrirá la válvula de agua fría durante dos períodos cortos seguidos de una pausa de 10 segundos antes de continuar. Si se abre la tapa durante este período, la lavadora se detendrá. Se deberá presionar el botón **Start** (Inicio) nuevamente para reiniciar el ciclo. La luz de **Complete** (Completo) se encenderá cuando la lavadora haya terminado de ejecutar un ciclo. Si la lavadora está apagada y la luz de **Complete** (Completo) no está encendida, el ciclo se completó hace más de una hora o el ciclo de la lavadora finalizó prematuramente debido a una falla.

SECUENCIA AUTOMÁTICA DE DRENAJE

- La máquina se drenará de forma automática cada vez que la tapa se deje abierta durante más de 15 minutos y haya agua. La luz de **Fill** (Llenar) parpadeará tres veces repetidamente cuando comience el desagote.
- La máquina se drenará de forma automática si se deja en pausa con la tapa cerrada durante más de 24 horas y haya agua.

CUANDO NO ESTÁ EN USO

- Cierre los grifos de agua para minimizar pérdidas en caso de una rotura. Verifique el estado de las mangueras de llenado; GE Appliances recomienda cambiar las mangueras cada 5 años.

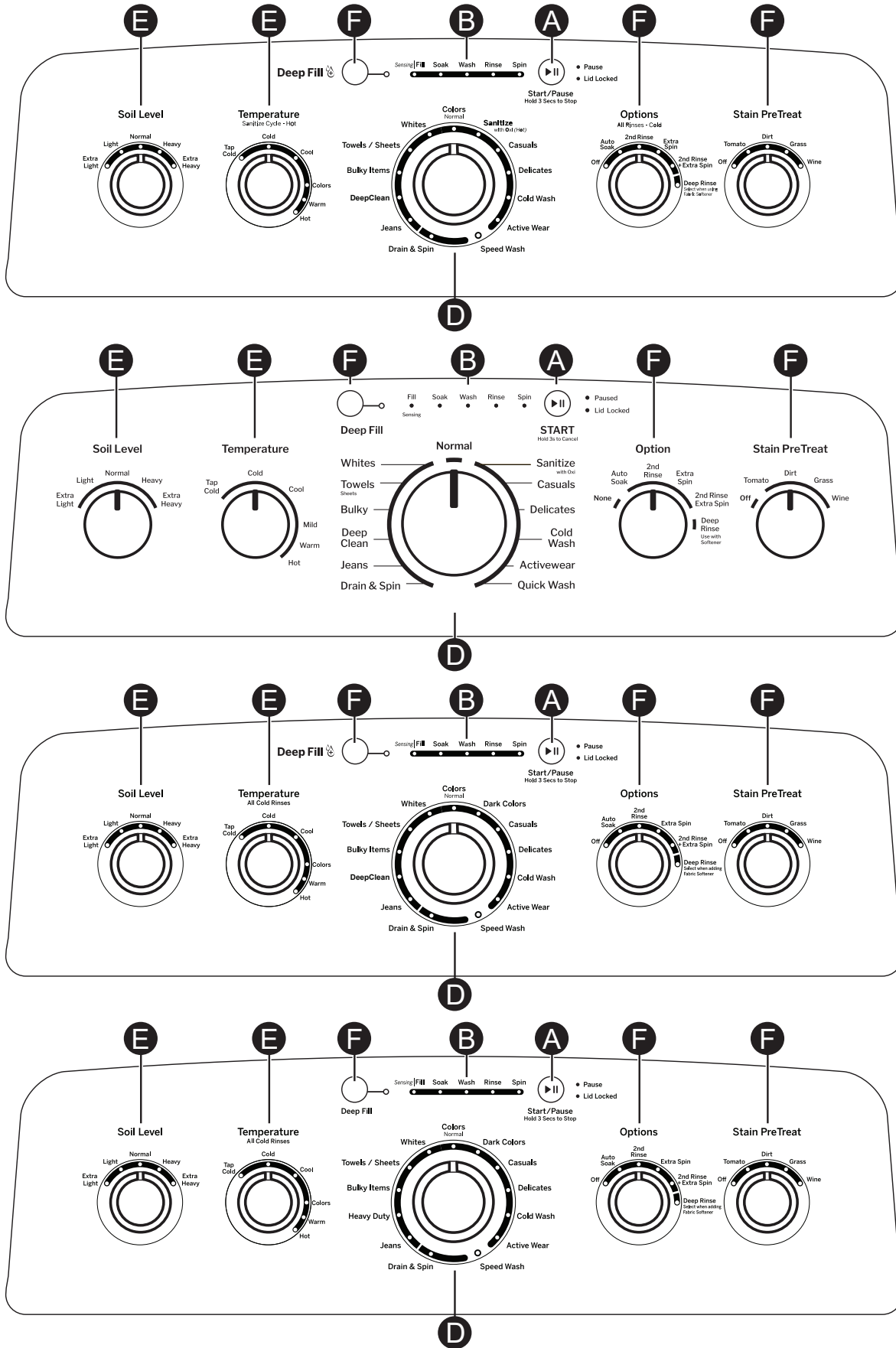
LEA Y GUARDE ESTAS INSTRUCCIONES

Primeros pasos

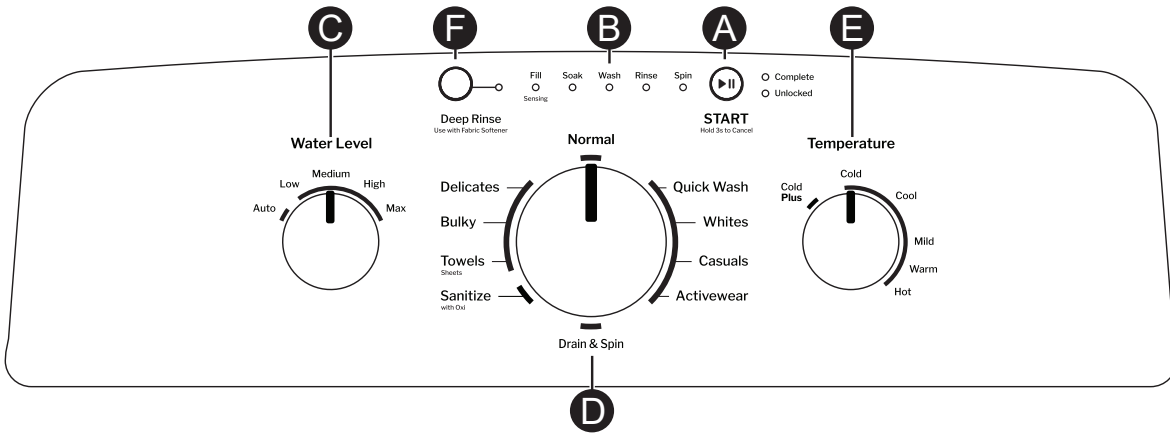
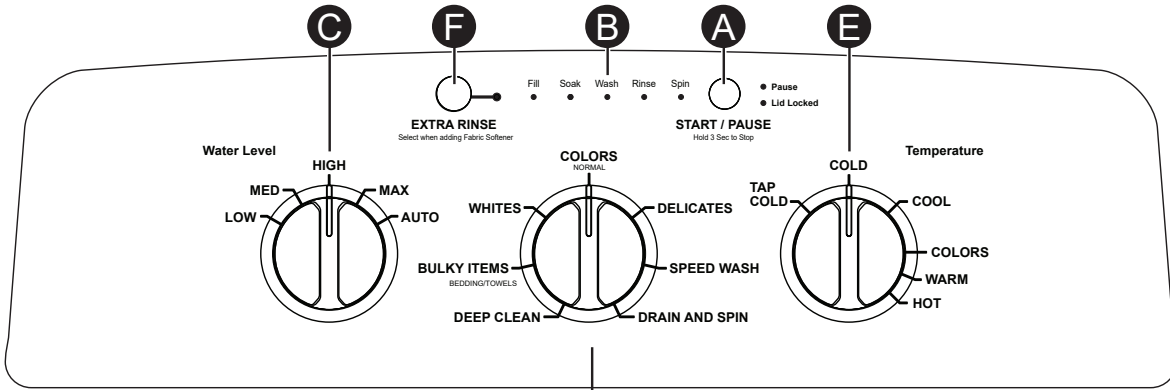
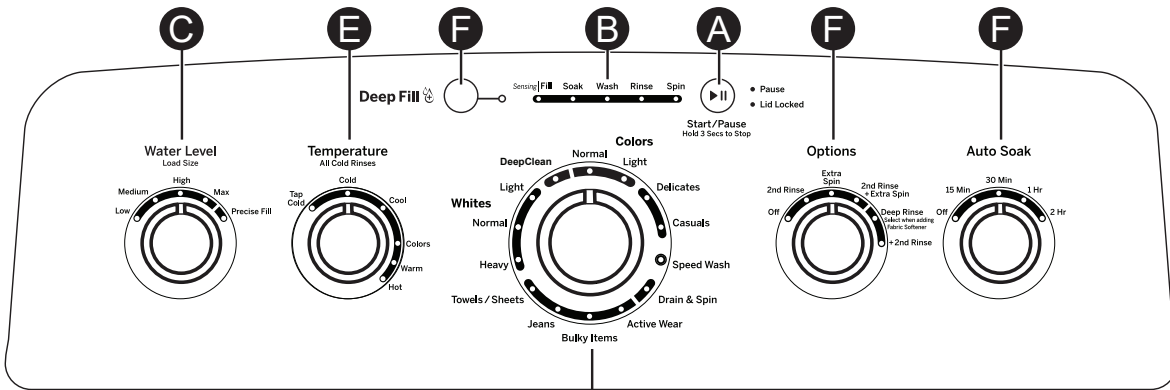
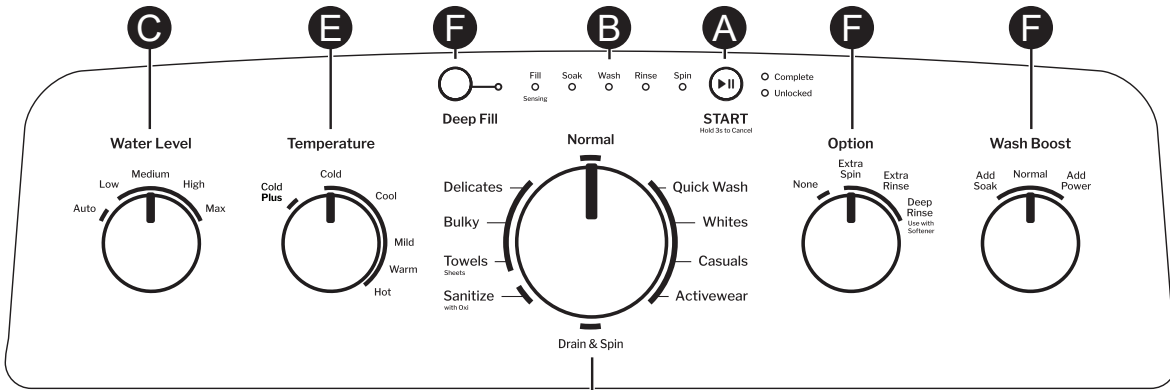
⚠ ADVERTENCIA

Para reducir el riesgo de incendio, descarga eléctrica o lesiones sobre las personas, lea la INFORMACIÓN DE SEGURIDAD IMPORTANTE antes de usar este electrodoméstico.

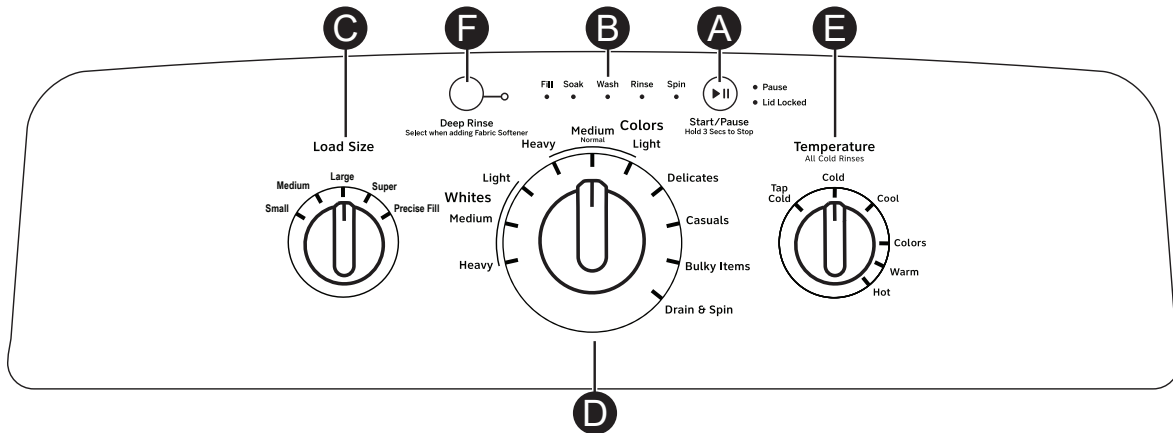
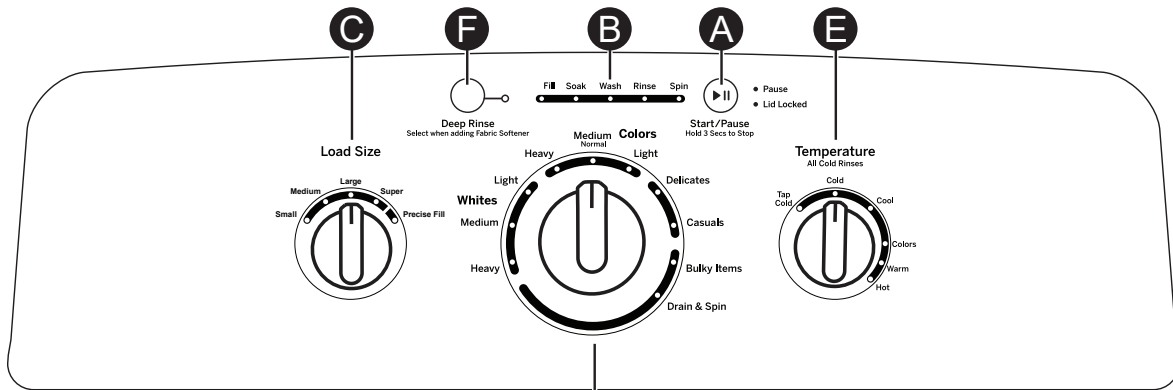
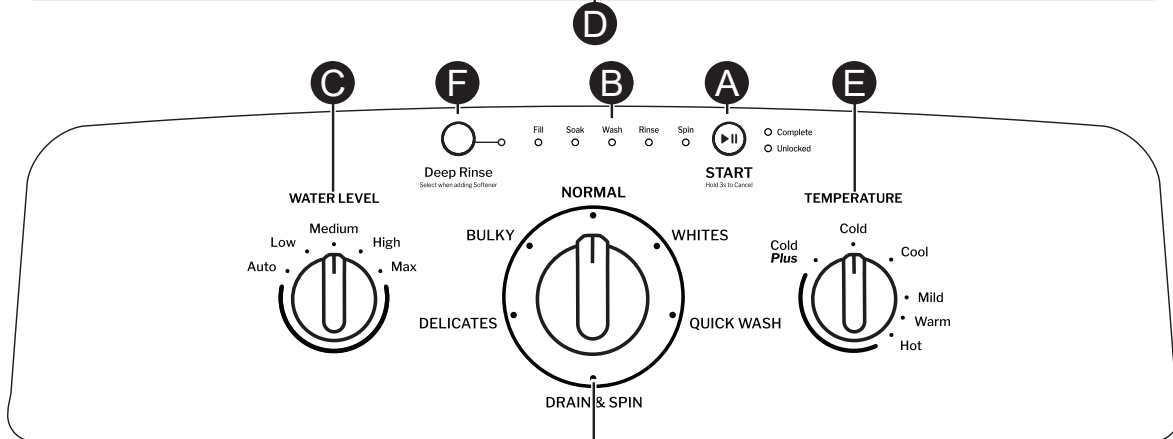
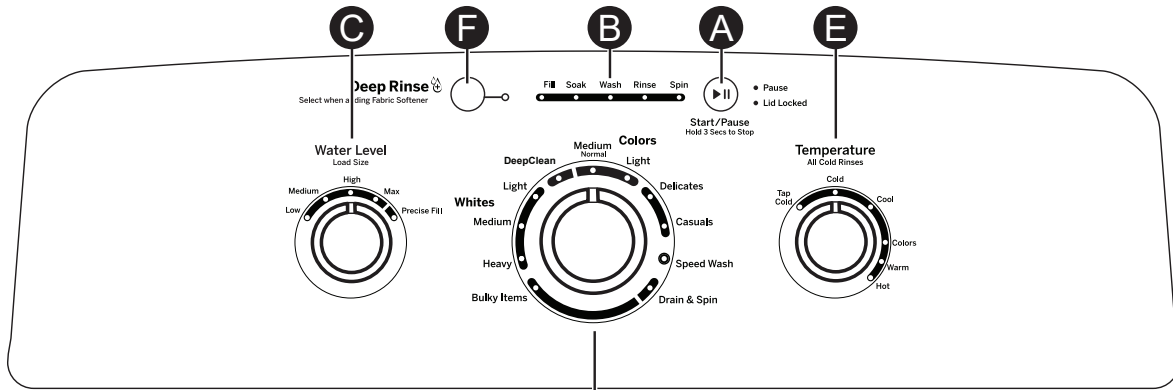
En este manual, las características y el aspecto pueden variar con respecto a su modelo.



Primeros pasos



Primeros pasos



Primeros pasos

Paso 1



- Agregue el suavizante de telas al dosificador de suavizante de telas (en algunos modelos). Consulte la página 14.
- Si usa paquetes de detergente, agréguelos en la parte inferior de la canasta de lavado antes de colocar la ropa.

Paso 2



- Agregue las prendas sin apretarlas alrededor del agitador o Infusor. Sobrecargar la canasta puede producir un impacto negativo en el desempeño de lavado. Consulte la página 15 para ver ejemplos de carga sugeridos.
- Agregue la cantidad de detergente recomendada por el fabricante encima de la carga luego de colocar la ropa. Recomendamos el uso de detergentes de alta eficiencia, como en su lavadora con eficiencia energética.

Paso 3



- Cierre la tapa.
NOTA: La unidad no comenzará con la tapa abierta si se selecciona Automático (Auto), excepto en el ciclo Carga pesada (Bulky).
- Seleccione el ciclo de lavado.
- Seleccione las opciones de lavado, incluyendo la opción Deep Rinse (Enjuague profundo) o Extra Rinse (Enjuague adicional) (en algunos modelos) al usar el suavizante de telas.
- Seleccione las opciones.
- Seleccione el Water Level (Nivel de agua) (en algunos modelos).

Paso 4



- Oprima Start/Pause (Inicio/Pausa).

A Inicio/Pausa (Start/Pause)

Presione **Start/Pause** (Inicio/Pausa) para iniciar el ciclo. **NOTA:** Si la tapa está cerrada, la tapa se bloqueará solo durante la parte de detección de carga del ciclo (cuando se realice la selección de **Auto** o los modelos que no tengan una selección de nivel de agua) y durante las partes de giro del ciclo. La tapa se desbloqueará después de detectar la carga y girar.

Al presionar **Start/Pause** (Inicio/Pausa) se desbloqueará la tapa (si está bloqueada en ese momento), se pausará el ciclo y las luces indicadoras **Fill** (Llenar), **Soak** (Remojar), **Wash** (Lavar), **Rinse** (Enjuagar) y **Spin** (Centrifugar) parpadearán.

Para continuar con el ciclo, presione **Start/Pause** (Inicio/Pausa) nuevamente. Si queda agua en la lavadora, seleccione el ciclo **Drenar y Centrifugar** (Drain & Spin) para drenar la canasta y centrifugar el agua de la canasta de la lavadora. **NOTA:** La lavadora cancelará y se drenará de forma automática cuando haya agua y la tapa se deje abierta durante 15 minutos, o cuando la unidad se deje en pausa durante 24 horas con la tapa cerrada. Seleccione el ciclo y presione **Inicio/Pausa** (Start/Pause) para comenzar un nuevo ciclo.

B Luces de estado del ciclo

Muestra si la lavadora está en la parte del ciclo de **Fill** (Llenar), **Soak** (Remojar), **Wash** (Lavar), **Rinse** (Enjuagar) y **Spin** (Centrifugar).

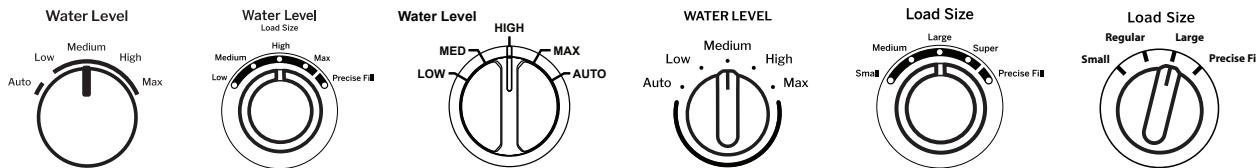
Si la lavadora detecta una condición desequilibrada, las luces de **Spin** (Centrifugar) y **Rinse** (Enjuagar) parpadearán durante la parte restante del ciclo y permanecerán encendidas durante un breve periodo de tiempo después de que se detenga el ciclo. Cuando la lavadora intente redistribuir la carga, la luz de **Rinse** (Enjuagar) se iluminará de forma continua mientras que la luz de **Spin** (Centrifugar) sigue parpadeando (en algunos modelos). Cuando esto ocurre, la lavadora toma medidas para corregir el estado de desequilibrio y completar el ciclo normalmente. En algunos casos, es posible que la lavadora no pueda equilibrar la carga y centrifugue hasta la velocidad máxima. Si nota que la carga está más mojada de lo normal al final del ciclo, redistribuya la carga uniformemente en la canasta de lavado y ejecute un ciclo de **Drain & Spin** (Drenar y Centrifugar).

C Nivel de agua (Water Level)

Agregue detergente a la parte inferior de la canasta y suavizante de telas al dispensador (en algunos modelos) antes de cargar la ropa.

Cargue las prendas sin apretarlas en la canasta de la lavadora. Sobrecargar la canasta puede producir un impacto negativo en el desempeño de lavado. Ajuste el nivel de agua según corresponda.

Seleccione el nivel de agua:



Auto (en algunos modelos)

(Las características y la apariencia variarán según el modelo)

- Para mayor comodidad, mejor rendimiento y una eficiencia óptima, seleccione Auto (Automático) para los modelos que cuentan con esta función. Esta selección proporciona de forma automática la cantidad correcta de agua adecuada para el tamaño y el tipo de carga colocada en la unidad. La tapa se bloqueará durante todo el proceso de detección de la carga, lo que incluye un breve período de centrifugado y una parte del llenado de agua.
- Si prefiere seleccionar de forma manual el nivel de agua, seleccione **Low** (Bajo) hasta **Max**. (Máx.). Si bien la opción **Automático** (Auto) es mejor para la mayoría de las cargas y el lavado general, es posible que desee seleccionar de forma manual el nivel del agua para prendas especiales como edredones o almohadas pesados y livianos, cuando desee garantizar que se aplique un nivel de agua mayor. Se deben seleccionar el nivel del agua de forma manual para las prendas húmedas que se colocan en la lavadora, como toallas o prendas mojadas.
- La lavadora no se llenará con agua cuando se seleccione la opción **Auto** (Automático) si la tapa está abierta. Cuando la tapa está cerrada, la lavadora puede comenzar a llenarse con agua para detectar el tamaño de la carga.

NOTA: Esta es una lavadora de alta eficiencia. Este sistema requiere menos agua y al mismo tiempo proporciona una acción de limpieza efectiva. Es posible que note que el nivel de agua es menor que en su lavadora anterior. Esto es normal.

Primeros pasos

D Perilla de Ciclos de Lavado-Selector de Ciclo

⚠ ADVERTENCIA

Si no se siguen estas instrucciones detenidamente, se puede producir una condición de vibración anormal y desequilibrio que podría resultar en lesiones físicas, daños a la propiedad o daños a la lavadora.

Para prendas impermeables, resistentes al agua o voluminosas:

- Utilice solamente el ciclo **Bulky** (Carga pesada) o **Delicates** (Delicados).
- El uso de otros ciclos puede causar vibraciones excesivas y daños a la lavadora, las paredes o el piso.
- No mezcle prendas impermeables y no impermeables.
- Lea el **Manual del propietario** para obtener detalles del ciclo de lavado.

El ciclo de lavado controla el tipo de proceso de lavado. La perilla selectora del ciclo se puede girar en cualquier dirección. Al girar la perilla luego de iniciar un ciclo, se detendrá la lavadora y modificará el ciclo/las opciones en la nueva selección. Presione **Start** (Inicio) para comenzar la nueva selección de ciclo.

El siguiente cuadro le ayudará a combinar las prendas que se lavarán con la mejor configuración del ciclo de lavado. Para un rendimiento óptimo, seleccione el ciclo más conveniente para las prendas que se lavarán.

Las selecciones y opciones que se muestran en negrita son los ajustes recomendados para ese ciclo.

Es posible que algunos ciclos y opciones no estén disponibles en algunos modelos

Primeros pasos

D Ciclos de lavado - Perilla selectora del ciclo - Continuación

Prendas para lavar	Ciclo	Temperatura de lavado	Nivel de suciedad	Selección de centrifugado (Duración)	Opciones disponibles	Detalles del ciclo
Ciclo para el uso normal, regular o típico para el lavado de hasta una carga completa de ropa de algodón con suciedad normal.	Normal/Colores	Caliente Tibia/Más tibia Colores/ Templada Fresca Fría Fría del grifo/ Frío PLUS	Ext. Sucia Muy Sucio Normal/ Medio Leve Ligera- mente Sucia	Máx./Extra Normal	Guía de Pretratamiento de manchas Remojo Automático Enjuague Profundo/ Enjuague adicional Doble Enjuague Para el modelo GTW465 Únicamente: Llenado profundo	Ciclo para el uso normal, regular o típico para el lavado de hasta una carga completa de ropa de algodón con suciedad normal. Elija la opción de nivel de suciedad Heavy (Sucia) o Extra Heavy (Muy sucia) o la selección de temperatura Hot Water (Agua caliente), según sea apropiado para su carga de ropa en un nivel de lavado más alto. Incorpora llenados con pasos múltiples y períodos de lavado para brindar un cuidado óptimo a las telas.
Cargas mixtas, artículos de color oscuro y linos.	Colores oscuros	Caliente Tibia/Más tibia Colores/ Templada Fresca Fría Fría del grifo/ Frío PLUS	Ext. Sucia Muy Sucio Normal/ Medio Leve Ligera- mente Sucia	Máx./Extra Normal	Guía de Pretratamiento de manchas Llenado profundo Remojo automático Enjuague Profundo/ Enjuague adicional Doble Enjuague	Las temperaturas de lavado más bajas, un período de lavado más corto y un enjuague con llenado profundo (en algunos modelos) minimizan el desgaste y las manchas sobre las telas de algodón oscuras. Incorpora llenados con pasos múltiples y períodos de lavado para brindar un cuidado óptimo a las telas.
Ropa casual o ropa de oficina ligeramente sucia.	Casuales	Caliente Tibia/Más tibia Colores/ Templada Fresca Fría Fría del grifo/ Frío PLUS	Ext. Sucia Muy Sucio Normal/ Medio Leve Ligera- mente Sucia	Máx./Extra Normal	Guía de Pretratamiento de manchas Llenado profundo Remojo automático Enjuague Profundo/ Enjuague adicional Doble Enjuague	Ciclo de lavado ajustado para el cuidado de prendas casuales y de oficina. Incorpora llenados con pasos múltiples y períodos de lavado para brindar un cuidado óptimo de las telas.
Lencería y telas que requieren cuidado especial con suciedad leve.	Delicados	Caliente Tibia/Más tibia Colores/ Templada Fresca Fría Fría del grifo/ Frío PLUS	Ext. Sucia Muy Sucio Normal/ Medio Leve Ligera- mente Sucia	Máx./Extra Normal	Guía de Pretratamiento de manchas Llenado profundo Remojo automático Enjuague Profundo/ Enjuague adicional Doble Enjuague	Utilice un perfil de agitación extra suave de "tres pulsos" y una baja velocidad de centrifugado para brindar cuidado especial a las telas delicadas. Se recomienda colocar las prendas pequeñas o ultra delicadas en bolsas de malla antes del lavado.
Cargas de telas oscuras y mezcladas.	Lavado Frío	Caliente Tibia/Más tibia Colores/ Templada Fresca Fría Fría del grifo/ Frío PLUS	Ext. Sucia Muy Sucio Normal/ Medio Leve Ligera- mente Sucia	Máx./Extra Normal	Llenado profundo Remojo automático Enjuague Profundo/ Enjuague adicional Doble Enjuague	El ciclo combina múltiples periodos extendidos de agitación en el lavado con periodos de remojo para proveer un rendimiento mejorado de limpieza y mejor eficiencia con temperaturas de agua más bajas.
Ropa deportiva de tejidos técnicos o sintéticos con nivel de suciedad medio o leve.	Deportiva	Caliente Tibia/Más tibia Colores/ Templada Fresca Fría Fría del grifo/ Frío PLUS	Ext. Sucia Muy Sucio Normal/ Medio Leve Ligera- mente Sucia	Máx./Extra Normal	Guía de Pretratamiento de manchas Llenado profundo Remojo automático Enjuague Profundo/ Enjuague adicional Doble Enjuague	Ciclo diseñado para el cuidado de la tela de ropa informal, deportiva y de uso técnico con un nivel de suciedad entre medio y leve. Incorpora un período de lavado con pasos múltiples y un remojo para tratar efectivamente la suciedad y los olores del cuerpo. Use el ciclo Heavy Duty (Carga pesada) para la ropa deportiva muy sucia fabricada con tela resistente.
Para cantidades pequeñas de prendas con suciedad leve que se necesitan de forma rápida.	Express	Caliente Tibia/Más tibia Colores/ Templada Fresca Fría Fría del grifo/ Frío PLUS	Ext. Sucia Muy Sucio Normal/ Medio Leve Ligera- mente Sucia	Máx./Extra Normal	Guía de Pretratamiento de manchas Llenado profundo Remojo automático Enjuague Profundo/ Enjuague adicional Doble Enjuague	Utiliza un período de lavado acelerado y un enjuague con rocío continuo para ahorrar tiempo, a fin de lavar en el menor tiempo posible cargas pequeñas que estén apenas sucias.

NOTA: Las selecciones de temperatura del agua están integradas dentro de los ciclos de lavado. Para **Colors Cycle Normal** (Ciclo normal de colores), hay varias selecciones de temperatura disponibles. Para otros ciclos, como **Whites** (Ropa de cama), solo hay una temperatura disponible, pero hay varios niveles de suelo integrados. Seleccione el ciclo, la temperatura y el nivel de suciedad que mejor coincida con los artículos que se están lavando.

Primeros pasos

D Ciclos de lavado - Perilla selectora del ciclo - Continuación

Prendas para lavar	Ciclo	Temperatura de lavado	Nivel de suciedad	Selección de centrifugado (Duración)	Opciones disponibles	Detalles del ciclo
Carga de prendas mojadas. Para aquellas prendas que solo necesitan ser enjuagadas, use este ciclo con la opción de Deep Rinse (Enjuague profundo).	Drenar y Centrifugar			Máx./Extra Normal	Enjuague Profundo/ Enjuague adicional Doble Enjuague	Utiliza un giro de alta velocidad para extraer el agua de las prendas mojadas. Para aquellas prendas que necesitan ser enjuagadas, seleccione la opción Deep Rinse (Enjuague profundo) al usar este ciclo.
Mahones con suciedad media a ligera. Si se trata de jeans usados para trabajar con mucha suciedad, use el ciclo Heavy Duty Cycle (Ciclo de carga pesada).	Mahones	Caliente Tibia/Más tibia Colores/ Templada Fresca Fría Fría del grifo/ Frío PLUS	Ext. Sucia Muy Sucio Normal/ Medio Leve Ligera- mente Sucia	Máx./Extra Normal	Guía de Pretratamiento de manchas Llenado profundo Remojo automático Enjuague Profundo/ Enjuague adicional Doble Enjuague	Un perfil de agitación diseñado especialmente que combina niveles de agua altos con un lavado de múltiples pasos y periodos de remojo para el cuidado de mahones con suciedad leve o media. Use el ciclo Carga Pesada (Heavy Duty) para mahones de trabajo con mucha suciedad.
Telas resistentes con mucha suciedad.	Limpieza profunda	Caliente Tibia/Más tibia Colores/ Templada Fresca Fría Fría del grifo/ Frío PLUS	Ext. Sucia Muy Sucio Normal/ Medio Leve Ligera- mente Sucia	Máx./Extra Normal	Guía de Pretratamiento de manchas Llenado profundo Remojo automático Enjuague Profundo/ Enjuague adicional Doble Enjuague	Incorpora un lavado de varios pasos y periodos de remojo combinados con periodos prolongados de lavado para limpiar efectivamente las telas con suciedad pesada o media.
Las prendas resistentes al agua, la ropa de cama y las prendas voluminosas, como abrigos grandes, alfombras y alfombras de baño.	Carga Pesada	Caliente Tibia/Más tibia Colores/ Templada Fresca Fría Fría del grifo/ Frío PLUS	Ext. Sucia Muy Sucio Normal/ Medio Leve Ligera- mente Sucia	Máx./Extra Normal	Guía de Pretratamiento de manchas Llenado profundo Remojo automático Enjuague Profundo/ Enjuague adicional Doble Enjuague	Proporciona un nivel de llenado profundo/máximo de agua para lavar prendas voluminosas e impermeables. También incorpora un enjuague de llenado profundo para enjuagar con eficiencia prendas voluminosas y un giro de baja velocidad apropiado para estas prendas. Utilice este ciclo solo para prendas resistentes al agua, ropa de cama o prendas voluminosas.
Toallas. Sábanas.	Toallas/Sábanas	Caliente Tibia/Más tibia Colores/ Templada Fresca Fría Fría del grifo/ Frío PLUS	Ext. Sucia Muy Sucio Normal/ Medio Leve Ligera- mente Sucia	Máx./Extra Normal	Guía de Pretratamiento de manchas Llenado profundo Remojo automático Enjuague Profundo/ Enjuague adicional Doble Enjuague	Ciclo diseñado para lavar toallas o sábanas, usando un nivel de agua más alto y un período de remojo para lavar estas prendas de forma efectiva. Se recomienda lavar las toallas y sábanas de forma separada para un mejor cuidado y rendimiento del lavado. Para los cubrecamas impermeables, use el ciclo Bulky (Carga pesada).
Ropa Blanca/ Ropa del Hogar	Ropa Blanca	Caliente Tibia/Más tibia Colores/ Templada Fresca Fría Fría del grifo/ Frío PLUS	Ext. Sucia Muy Sucio Normal/ Medio Leve Ligera- mente Sucia	Máx./Extra Normal	Guía de Pretratamiento de manchas Llenado profundo Remojo automático Enjuague Profundo/ Enjuague adicional Doble Enjuague	Ciclo adaptado para limpiar y dar brillo a su ropa blanca.
Prendas muy sucias que no destiñen	Desinfectado con Oxi*	Caliente	Ext. Sucia	Máx./Extra	Remojo automático Enjuague Profundo/ Enjuague adicional Doble Enjuague	El ciclo usa un llenado de agua inicial más bajo para una desinfección súper concentrada y a alta temperatura, seguida por un paso de lavado profundo. Se incorpora una purga de la bomba y un enjuague profundo para eliminar los contaminantes. Consulte los detalles a continuación.

*Sanitize with Oxi (Desinfectado con Oxi) (en algunos modelos)

El ciclo **Sanitize With Oxi** (Desinfectado con Oxi), cuando se utiliza con un aditivo de Oxi junto con el detergente, fue diseñado para eliminar el 99.9 % de las bacterias en el lavado. Mida el detergente y los productos de Oxi cuidadosamente. Al usar las cantidades adecuadas para una carga grande y muy sucia en lavadoras de carga superior, siga las instrucciones de las etiquetas del detergente y del producto de Oxi. Para el ciclo **Sanitize With Oxi** (Desinfectado con Oxi) únicamente, agregue la ropa primero y luego coloque el detergente y el producto Oxi directamente sobre la carga. La conexión del suministro de agua caliente de la lavadora deberá proveer un mínimo de 120 °F para asegurar la efectividad de este ciclo. **NOTA:** El ciclo **Sanitize with Oxi** (Desinfectado con Oxi) utilizará la configuración de **HOT** (CALIENTE) y **Extra Heavy soil** (Suciedad extrema) independientemente de la configuración de las perillas **Temperature** (Temperatura) y **Soil Level** (Nivel de suciedad). La tapa estará bloqueada durante el ciclo de lavado. Se puede presionar **Start/Pause** (Inicio/Pausa) para desbloquear la tapa. La opción **Stain PreTreat** (Pretratamiento de manchas) no está disponible.

Primeros pasos

E Settings (Ajustes)

Seleccione los ajustes de agitación (**Suciedad**) y temperatura del agua (**Temp**).

NOTA: Por lo general, los periodos más largos del **Centrifugado** reducen el tiempo/uso de energía de la secadora (es decir, reducen la energía total cuando se usa una lavadora y una secadora).

Cold PLUS (Frío PLUS) (en algunos modelos)

Seleccione la función **Cold PLUS** (Frío PLUS) cuando busque obtener una mejor limpieza en agua fría y ahorrar energía.

Cold PLUS (Frío PLUS) ahorra energía al usar menos energía del calentador de agua para agua fría en comparación con los ajustes predeterminados normales. Al seleccionar **Cold PLUS** (Frío PLUS) habrá tiempo de agitación adicional para mejorar el rendimiento de limpieza en comparación con el uso de agua fría sola.

F Opciones de ciclo (en algunos modelos)

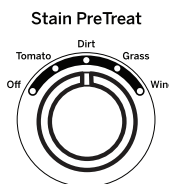
Stain PreTreat (Pretratamiento de manchas)

La función **Stain PreTreat** (Pretratamiento de manchas) le permite indicar qué manchas hay en las prendas de su carga. Un llenado de agua inicial se realiza a una temperatura adaptada al tipo de mancha seleccionado y a una cantidad que permite una etapa de limpieza concentrada. Se lleva a cabo un período de restregado de manchas, seguido de un remojo activo, para tratar eficazmente la mancha. Luego se agrega agua adicional a la temperatura seleccionada y se lleva a cabo la fase de lavado para el ciclo seleccionado. Para lavar la ropa de algodón normalmente sucia, la opción Stain PreTreat (Pretratamiento de manchas) debe estar en la posición **Off** (Apagado).

Esta función se puede aplicar a la mayoría de los ciclos de lavado como se describe en la guía de ciclos

Cómo usar Stain PreTreat (**Pretratamiento de manchas**):

1. Seleccione el ciclo de lavado deseado.
2. Seleccione la mancha que se tratará en las opciones **Stain PreTreat** (Pretratamiento de manchas).



Guía de pretratamiento de manchas

Categoría	Temperaturas recomendadas Tratamiento/lavado	Mancha	Para obtener mejores resultados, antes de colocarlo en la lavadora:
Tomate	Fría/Tibia	Salsa Salsa de Ketchup	Trate previamente con detergente líquido o producto quitamanchas; enjuague con agua fría
Suciedad	Fría/Tibia	Suciedad Arcilla Barro	Deje que la suciedad se seque; elimine la suciedad suelta con un cepillo. Enjuague con agua fría.
Césped	Frío/Tibia	Césped Lápiz labial Chocolate Salsa gravy Mayonesa Salsa BBQ	Trate previamente con detergente líquido o producto quitamanchas. Cepille ligeramente; enjuague con agua fría.
Vino	Fría/Tibia	Vino Soda Kool-Aid Té Café Jugo Cerveza	Trate previamente con la mezcla del producto Oxi y agua fría. Agregue el producto Oxi junto con el detergente en la lavadora.

- Las temperaturas recomendadas son óptimas para el rendimiento de eliminación de manchas; ajuste la selección de temperatura para adaptarse a la carga que se lava.
- Asegúrese de que la mancha se elimine por completo después del ciclo de lavado y antes de colocarla en la secadora; las manchas muy difíciles pueden requerir un segundo tratamiento.

Wash Boost (Intensidad del lavado) (en algunos modelos)

La configuración **Normal** equilibra el rendimiento del lavado, el cuidado de las telas y el tiempo del ciclo para cargas con prendas sucias o ligeramente sucias.

Add Soak (Agregar remojo) agrega una serie de remojos para reducir el desgaste y la decoloración de la tela y, al mismo tiempo, proporcionar un excelente rendimiento de lavado de las prendas y eliminar las manchas.

Utilice **Add Power** (Agregar potencia) para agitar y remojar más las prendas y así mejorar el rendimiento del lavado para cargas que necesitan una limpieza más profunda. Esta opción es ideal para cargas/prendas más sucias.



Primeros pasos

F Opciones de ciclo - Continuación

Deep Fill (Llenado profundo)

Seleccione la función de **Deep Fill** (Llenado profundo) para las cargas en las que se necesita más agua. La función de Deep Fill (Llenado profundo) se recomienda para cargas especiales, no para uso típico.

Presione el botón **Deep Fill** (Llenado profundo) una vez antes de iniciar el ciclo para agregar una cantidad adicional de agua a la carga del lavado. Al mantener apretado el botón de **Deep Fill** (Llenado profundo) durante 3 segundos, se activará el nivel de llenado más intenso posible; esto incrementará el tiempo del ciclo debido al tiempo adicional que lleva llenar la lavadora.

Para cancelar la opción, si así lo desea, presione nuevamente el botón de **Deep Fill** (Llenado profundo).

NOTA: El botón de **Deep Fill** (Llenado profundo) también puede presionarse una vez que la lavadora haya completado el llenado y se encuentre en la fase de lavado, en caso de que desee agregar más agua. Para detener el llenado adicional, presione nuevamente el botón de **Deep Fill** (Llenado profundo) y el agua se detendrá.

Auto Soak (Remojo automático)

Esta opción comienza con una agitación breve, hace un remojo durante un período de tiempo especificado y luego continúa de forma automática el resto del ciclo.

2nd Rinse (Doble enjuague)

Cuando utilice detergente o blanqueador adicional para limpiar ropa con nivel de suciedad alto, utilice la opción **2nd Rinse** (Doble enjuague) para eliminar los residuos adicionales con mayor eficacia.

Extra Spin (Centrifugado extra)

Seleccione para agregar tiempo de centrifugado extra, lo que aumenta la eficiencia energética al reducir los tiempos de secado.

2nd Rinse + Extra Spin (Doble enjuague + Centrifugado extra)

Proporciona un segundo enjuague y un centrifugado extra.

Deep Rinse/Extra Rinse (Enjuague profundo/Enjuague adicional)

Configure esta opción para proporcionar un enjuague profundo o cuando utilice suavizante. Esta opción puede cambiar otros ajustes (p. ej., Spin [Centrifugar] puede ir a una configuración mayor) para maximizar el rendimiento.

Indicador de ayuda al consumidor

Su lavadora está equipada con la función Consumer Help Indicator (Indicador de ayuda al consumidor, CHI). CHI es nuestra forma de comunicar una solución simple para algunas acciones que usted puede realizar sin la necesidad de llamar al servicio técnico. El siguiente cuadro describe las luces útiles que es posible que observe en la pantalla.

<p>Spin and Rinse lights (Luces de Centrifugado y Enjuague) (en algunos modelos)</p>	<p>Si la lavadora detecta una condición desequilibrada, la luz de Spin (Centrifugar) parpadeará durante la parte restante del ciclo y permanecerá encendida durante un breve periodo de tiempo después de que se detenga el ciclo. Cuando la lavadora intente redistribuir la carga, la luz de Rinse (Enjuagar) se iluminará de forma continua mientras que la luz de Spin (Centrifugar) parpadea (en algunos modelos). Cuando esto ocurre, la lavadora toma medidas para corregir el estado de desequilibrio y completar el ciclo normalmente. En algunos casos, es posible que la lavadora no pueda equilibrar la carga y centrifugue hasta la velocidad máxima. Si nota que la carga está más mojada de lo normal al final del ciclo, redistribuya la carga uniformemente en la canasta de lavado y ejecute un ciclo de Drain & Spin (Drenar y Centrifugar).</p>
<p>Parpadeo de luz de Fill (Llenar) (en algunos modelos)</p>	<p>La luz de Fill (Llenar) puede parpadear si la lavadora se detuvo durante más de 24 horas, el agua se dejó en la lavadora durante 15 minutos con la tapa abierta (3 parpadeos), si durante el llenado la lavadora no detecta que el agua se acumule en el recipiente de lavado durante un período preestablecido (2 parpadeos) o si la lavadora se ha detenido antes de que se complete el ciclo debido a ciertas fallas. Tan pronto como la luz comience a parpadear, la lavadora iniciará un período de bloqueo de control de 4 minutos y encenderá la bomba. Los controles de la lavadora no responderán/cambiarán durante este tiempo. Después del período de 4 minutos (el sonido de la bomba se detiene), puede comenzar el ciclo nuevamente. Si intenta omitir el período de bloqueo desenchufando la lavadora, el temporizador de 4 minutos volverá a empezar. Si el problema persiste, llame a GE Appliances al 800.GE.CARES (800.432.2737) para solicitar servicio técnico.</p>
<p>Luz de Fill (Llenar) (el agua no entra en la lavadora) (2 parpadeos en algunos modelos)</p>	<p>Compruebe el suministro de agua de su casa. ¿Olvidó abrir una o ambas llaves de paso después de la instalación o de regresar de vacaciones? Tan pronto la luz comience a parpadear, la lavadora iniciará un período de bloqueo de 4 minutos. Los controles de la lavadora no responderán/cambiarán durante este tiempo. Después de 4 minutos, puede volver a iniciar el ciclo. Si intenta omitir el período de bloqueo desenchufando la lavadora, el temporizador de 4 minutos volverá a empezar. Puede existir un problema no evidente de suministro de agua del hogar.</p>
<p>Luz de Lid Locked/Unlocked (Tapa bloqueada/Desbloqueada)</p>	<p>La luz de Lid Locked/Unlocked (Tapa bloqueada/Desbloqueada) parpadeará si se han iniciado 3 ciclos sin abrir la tapa. La lavadora no iniciará otro ciclo hasta que se abra la tapa. Intente primero abrir y luego cerrar la tapa y comience un nuevo ciclo. Si el problema persiste, llame a GE Appliances al 800.GE.CARES (800.432.2737) para solicitar servicio técnico.</p>

Primeros pasos

Detección automática de la carga

Determina el perfil de agitación correcto, la duración de la agitación y la cantidad de agua adecuada para el tamaño y el tipo de carga colocada en la lavadora. La lavadora no iniciará el ciclo de lavado ni se llenará con agua si la tapa está abierta. Cuando la tapa está cerrada, la lavadora puede comenzar a llenarse con agua para detectar el tamaño de la carga.

NOTA: La Automatic Load Sensing (detección automática de la carga) inicia un centrifugado al comienzo del ciclo y tardará hasta 3 minutos en completarse (bastante más corto para cargas más pequeñas); esto es el funcionamiento normal.

NOTA: Esta es una lavadora de alta eficiencia. Este sistema requiere menos agua y al mismo tiempo proporciona una acción de limpieza efectiva. Es posible que note que el nivel de agua es menor que en su lavadora anterior. Esto es normal.

Dispensador de suavizante de telas líquido (en algunos modelos)

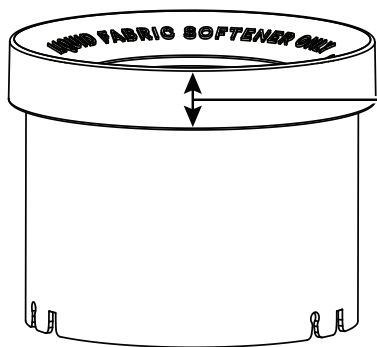
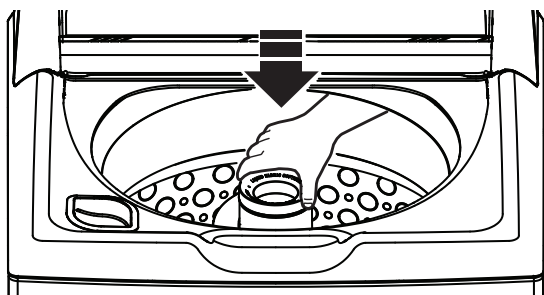
La tapa del agitador encaja en la parte superior del agitador. Si accidentalmente se desprende, simplemente vuelva a colocárselo.

El dispensador de suavizante de telas libera automáticamente el suavizante de telas líquido en el momento adecuado durante el ciclo.

No detenga la lavadora ni levante la tapa durante el primer giro. Esto hará que el dispensador se vacíe demasiado pronto.

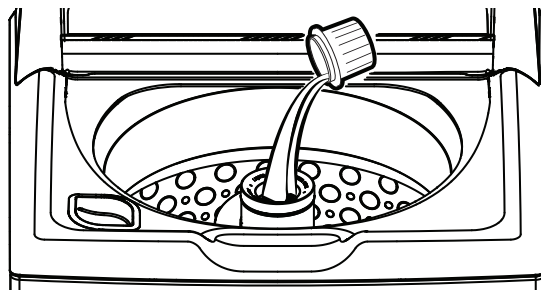
Para usar, siga estos pasos:

- 1 Asegúrese de que el dispensador esté bien sujeto al agitador.



SOLO esta parte del dispensador es visible una vez instalada en el agitador

- 2 Utilice únicamente suavizante de telas líquido diluido. Vierta en el dispensador, utilizando la cantidad recomendada en el paquete.



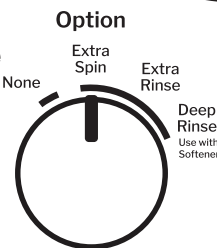
Nunca vierta el suavizante de telas directamente sobre la ropa. Puede mancharla.

- 3 Agregue agua al dispensador hasta que alcance la línea de llenado máxima.

No vierta nada en el agitador si retira la tapa del agitador o el dispensador.



- 4 Seleccione la opción **Deep Rinse** (Enjuague profundo) o **Extra Rinse** (Enjuague adicional).

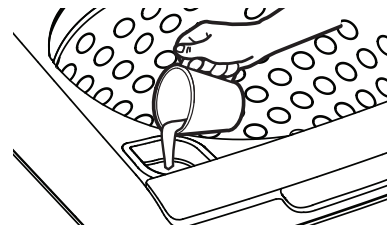


NOTA: El suavizante de telas puede no dispensarse correctamente si no se selecciona la opción **Deep Rinse** (Enjuague profundo) o **Extra Rinse** (Enjuague adicional).

Blanqueador líquido

El blanqueador a base de cloro líquido debe agregarse a través del dispensador de blanqueador en la esquina frontal **izquierda**. Siga las recomendaciones del fabricante del blanqueador para conocer la cantidad correcta de blanqueador a base de cloro líquido según el tamaño de la carga, teniendo cuidado de no aplicarlo ni derramarlo directamente sobre la ropa.

NOTA: No use blanqueador líquido a base de cloro ni pretratamientos de lavado como el producto Oxi en la misma carga.



Pretratamiento

Coloque los pretratamientos para lavado, como el producto Oxi, directamente en el fondo de la canasta de lavado antes de cargar la ropa.

NOTA: No use blanqueador líquido a base de cloro ni pretratamientos de lavado como el producto Oxi en la misma carga.

Cargando

F Siempre siga las instrucciones del fabricante de las prendas cuando lave.


Uso adecuado del detergente

El uso de muy poco o demasiado detergente es una causa común de problemas de lavado.

Use menos detergente si tiene agua blanda, una carga más pequeña o una carga con suciedad leve.

Para las manchas, aplique el pretratamiento a las prendas según se recomienda en la etiqueta del producto. La aplicación debe realizarse en la canasta para evitar el exceso de rocío, lo que puede hacer que el color de la tapa o las imágenes se destiñan.

Agregue los paquetes de detergente en el fondo de la canasta de lavado antes de colocar la ropa.

GE Appliances recomienda el uso de detergentes de Alta eficiencia, como  en su lavadora con eficiencia energética. Los detergentes de alta eficiencia (HE) se elaboran para usarse con sistemas de lavado y enjuague con poca agua. Los detergentes de alta eficiencia (HE) reducen los problemas de exceso de rocío comúnmente asociados con los detergentes regulares.

Cuando utilice detergentes concentrados o de alta eficiencia, consulte la etiqueta del producto para determinar la cantidad necesaria para un rendimiento óptimo. El exceso de detergente impactará de forma negativa sobre el rendimiento del lavado.

Clasificación de las cargas de lavado

Clasificación por color (blancos, claros, colores), nivel de suciedad, tipo de tela (algodón resistente, de cuidado fácil, delicada) y si la tela genera pelusas (tela de toalla, felpilla) o acumula pelusas (terciopelo, pana). Lave las prendas que producen pelusas, como las toallas de algodón y los calcetines, separadas de los que la acumulan pelusas, incluyendo las prendas sintéticas y pantalones de vestir.

ADVERTENCIA - Riesgo de incendio

NO lave telas sucias con líquidos inflamables o solventes de limpieza.

Ninguna lavadora puede eliminar por completo el aceite.

NO seque prendas que se hayan mojado o manchado con algún tipo de aceite.

NO toque el interior de la lavadora antes de que todas las partes en movimiento se hayan detenido.

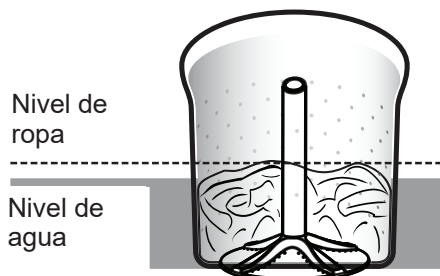
Si lo hace, eso puede ocasionar la muerte, una explosión, un incendio o una amputación.

Carga de la lavadora

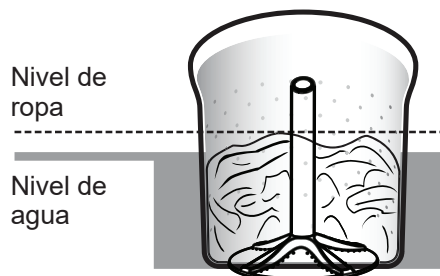
Cargue las prendas secas sin apretarlas en la canasta de la lavadora. Para lograr mejores resultados, cargue las prendas en forma uniforme y sin apretarlas alrededor de la parte exterior de la canasta, llenando hacia la parte del centro en cargas grandes. Para agregar prendas después de que se inició la lavadora, presione **Start/Pause** (Inicio/Pausa) si la tapa está bloqueada; espere hasta que la luz de **Lid Lock** (Bloqueo de la tapa) este apagada y que la luz de **Unlocked** (Desbloqueado) esté encendida antes de intentar abrir la tapa. Levante la tapa y sumerja prendas adicionales alrededor del exterior de la canasta. Cierre la tapa y presione **Start** (Inicio) para reanudar. Ajuste la selección del nivel del agua o utilice la opción **Deep Fill** (Llenado profundo) si es necesario.

- En los modelos con Infusor, no coloque prendas grandes, como sábanas, colchas y toallas, sobre el Infusor. Colóquelas alrededor de la parte exterior de la canasta.
- No coloque almohadones de jardín o sofá en la lavadora, ya que son demasiado grandes para poder moverlos. Retire las fundas externas y SOLAMENTE lávelas.

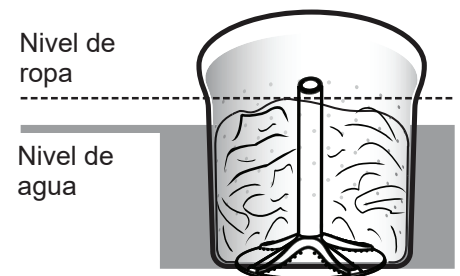
Carga pequeña promedio



Carga mediana promedio



Carga grande promedio



Comunicación del electrodoméstico

WiFi Connect (Conexión WiFi) (Sólo para clientes en los Estados Unidos - en algunos modelos)

Es posible que su lavadora sea compatible con **GE Appliances WiFi Connect** mediante el módulo opcional **ConnectPlus de GE Appliances**.

En caso de ser compatible: para conectar esta lavadora a Internet, deberá comprar **ConnectPlus de GE Appliances** y conectar el módulo a su lavadora a través del puerto de comunicación de la lavadora. **ConnectPlus de GE Appliances** permitirá que su electrodoméstico se comunice con su teléfono inteligente para monitorearlo, controlarlo y recibir notificaciones de forma remota.

Conectividad WiFi: Para obtener asistencia con el electrodoméstico o la conectividad de red de **ConnectPlus de GE Appliances**, llame a Asistencia para el Hogar Conectado de GE Appliances al **800.220.6899**.

Visite www.GEAppliances.com/connect para obtener más información sobre las características de los electrodomésticos conectados, para saber qué aplicaciones de electrodomésticos conectados funcionarán con su teléfono inteligente y para saber dónde puede comprar un módulo **ConnectPlus**.

El módulo **ConnectPlus** tiene la identificación de FCC/IC ubicada en la parte posterior del módulo.

Número de pieza	Accesorio
PBX10W00Y0	Módulo WiFi ConnectPlus

Cuidado y limpieza

⚠ ADVERTENCIA - Riesgo de descarga eléctrica

Ciertas piezas internas intencionalmente no tienen conexión a tierra y pueden presentar un riesgo de descarga eléctrica solo durante la reparación.

Personal de reparación – NO toque las siguientes piezas cuando el aparato esté recibiendo electricidad: Motor de impulsión, bloqueo de la tapa, válvulas de agua, bomba de drenaje y bomba de recirculación.

Exterior de la lavadora

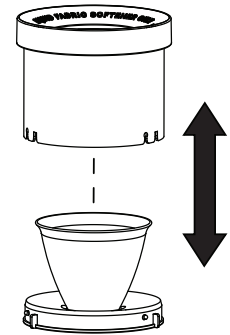
Limpie de inmediato cualquier derrame con un paño húmedo.

Interior de la lavadora

Deje la tapa abierta después del lavado para permitir que la humedad se evapore. Si desea limpiar la canasta, use un paño suave limpio humedecido con detergente líquido y luego enjuague. (No use limpiadores agresivos o arenosos).

Limpieza del dispensador de suavizante de telas (en algunos modelos)

- 1 Retire el dispensador de la parte superior del agitador.
- 2 Separe el vaso dispensador de la cubierta sujetando la parte superior y empujando hacia abajo el interior del vaso con los dedos. El vaso dispensador saldrá de la cubierta.
- 3 Para limpiar el dispensador, remoje el vaso dispensador y la cubierta del dispensador en la siguiente solución:
 - 1 galón estadounidense (3.8 litros) de agua tibia
 - 1/4 vaso (60 ml) de detergente líquido pesado
 - 1 vaso (240 ml) de blanqueador
- 4 Si es necesario, seque un poco de la acumulación con un paño limpio y suave después de remojarla. No utilice un cepillo rígido; podría hacer áspera la superficie del dispensador.
- 5 Enjuague y vuelva a ensamblar el dispensador. Vuelva a colocar el dispensador en el agitador.



Separe para la limpieza

Mangueras de suministro de agua

De forma periódica, inspeccione que no haya pérdidas de agua, desgastes, cortes, corrosión ni bultos en todas las mangueras de entrada de agua. En caso de que aparezcan signos de cualquiera de estas fallas, reemplace todas las mangueras de inmediato. Se deberán reemplazar todas las mangueras cada 5 años de uso para reducir riesgos de fallas de las mangueras y posibles daños ocasionados por el agua. Al reemplazar las mangueras, consulte las Instrucciones de Instalación para realizar una instalación correcta. NO ajuste en exceso ni desgaste las roscas de los accesorios. NO permita que la manguera roce contra objetos filosos, que se retuerza o se extienda de forma excesiva. Siempre asegúrese de que las juntas de goma de la manguera estén instaladas y sin goteos al recibir presión.

Traslado y guardado

Pídale al técnico de servicio que retire el agua de la bomba de drenaje y las mangueras. No coloque la lavadora en lugares expuestos a la intemperie.

Vacaciones largas

Asegúrese de que el suministro de agua esté cerrado desde los grifos. Drene toda el agua de las mangueras y del área de la bomba del filtro de agua si la temperatura estará bajo cero.

Instrucciones de instalación

Lavadoras






Si tiene alguna pregunta, llame GE Appliances a 800.GE.CARES (800.432.2737) o visite nuestro sitio Web en: GEAppliances.com

ANTES DE COMENZAR

Lea detenidamente todas las instrucciones.

- **IMPORTANTE** — Guarde estas instrucciones para uso del inspector local.
- **IMPORTANTE** — Cumpla todos los códigos y las ordenanzas regulatorias.
- **Nota para el instalador** — Asegúrese de dejarle estas instrucciones al usuario.
- **Nota para el consumidor** — Guarde estas instrucciones para consultas futuras.
- **Nivel de habilidad** – La instalación de esta lavadora requiere habilidades mecánicas y eléctricas básicas.
- **Duración** – De 1 a 3 horas
- La instalación adecuada es responsabilidad del instalador.
- La garantía no cubre fallas producidas por la instalación inadecuada del producto.

PIEZAS INCLUIDAS

- Manguera de drenaje 
- Guía de referencia del propietario 
- Sujetacables 
- Sujetador de la manguera de drenaje 
- Abrazadera 

HERRAMIENTAS NECESARIAS PARA LA INSTALACIÓN DE LA LAVADORA

- Pinzas 

- Nivel 

PIEZAS NECESARIAS (se adquieren por separado)

- Mangueras de suministro de agua (2) 
- Arandelas de goma (2) y mallas de filtro (2) 

- Extensión de la manguera de drenaje (para alturas de descarga de entre 60" y 96")

GE Appliances Piezas y accesorios

Solicítelos hoy mismo en Internet en GEApplianceparts.com las 24 horas del día o por teléfono al 800.626.2002 en horario normal de trabajo.

Número de pieza	Accesorio
PM14X10002	Mangueras de goma de suministro de agua de 4 pies
PM14X10005	Mangueras trenzadas de suministro de agua de 4 pies (Incluido únicamente con el modelo GTW525)
WH1X2267	Arandela de goma (1) y Pantalla (1)
WH49X301	Extensión de la manguera de drenaje (para alturas de descarga de entre 60" y 96")

NOTA: Se recomienda especialmente el uso de nuevas mangueras de suministro de agua. Las mangueras se desgastan con el tiempo y deben reemplazarse cada 5 años para reducir el riesgo de fallas en las mangueras y daños provocados por el agua.

Instrucciones de instalación

UBICACIÓN DE LA LAVADORA

NO instale la lavadora:

1. En un área expuesta a goteras o a las condiciones del exterior. La temperatura ambiente no debe estar cerca de niveles de congelación o de congelación para que la lavadora funcione correctamente.
2. En un área en la que pueda entrar en contacto con cortinas u otras telas.
3. Sobre una alfombra. El suelo DEBE ser una superficie dura con una inclinación máxima de 1/2" por pie (1.27 cm por cada 30 cm). Para asegurarse de que la lavadora no vibre ni se mueva, es posible que tenga que reforzar el suelo.

NOTA: Si el suelo se encuentra en mal estado, utilice una plancha con 3/4" de contrachapado bien fija al revestimiento existente en el suelo.

IMPORTANTE: Distancias mínimas de separación para la instalación - Nicho o armario

- Si la lavadora ha sido aprobada para ser instalada en un nicho o armario, debe haber una etiqueta en la parte posterior de la máquina que describa los requisitos.
- Distancia mínima entre la lavadora y las paredes adyacentes o cualquier otra superficie: 0" a ambos lados, 2" adelante, 3" atrás. Espacio vertical desde el piso a los estantes superiores, gabinetes, cielo rasos, etc. = 60".
- Las puertas del armario deben contar con rejillas u otro tipo de ventilación y tener por lo menos 60 pulgadas cuadradas de espacio abierto. Si el armario incluye una lavadora y una secadora, las puertas deben contener un mínimo de 120 pulgadas cuadradas de espacio abierto.

NOTA: Los espacios mencionados en esta etiqueta son los mínimos. Se debe dar una gran importancia a la provisión de un espacio adecuado para la instalación y el mantenimiento de la lavadora.

REQUISITOS DE SUMINISTRO DE AGUA

LÍNEAS DE SUMINISTRO DE AGUA - Purgar las líneas de suministro de agua caliente y fría durante 30 segundos antes de instalar las mangueras y la lavadora. Asegúrese de que las mallas de las mangueras de entrada también estén limpias y libres de residuos.

PRESIÓN DE AGUA - Debe ser de 20 psi como mínimo y de 120 psi como máximo. La presión mínima de 20 psi se deberá mantener mientras la lavadora esté realizando el llenado con ambas válvulas de frío y calor activadas.

TEMPERATURA DEL AGUA - Se debe regular el calentador de agua de la vivienda para que proporcione agua A LA LAVADORA a una temperatura de 120 °F a 150 °F, al seleccionar el ciclo de lavado con agua caliente.

VÁLVULAS DE CIERRE - Se deben suministrar dos válvulas de cierre (llaves), una para el agua caliente y otra para el agua fría.

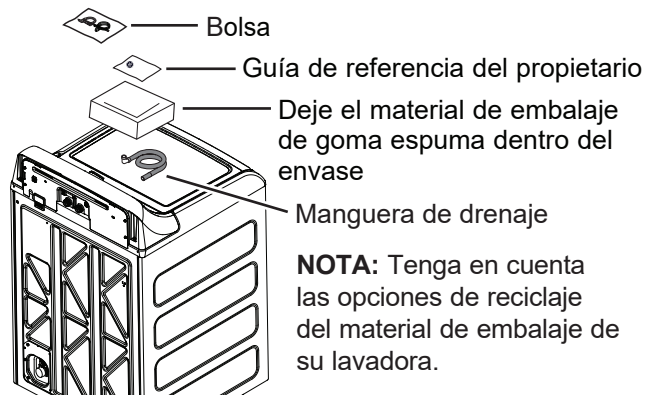
DRENAJE - Se puede drenar el agua hacia un tubo vertical. La altura de descarga NO DEBE SER MENOR DE 30 PULGADAS - Ni debe encontrarse a más de 8 pies de la base de la lavadora. El diámetro interno del tubo vertical debe ser de 1-1/2 pulgadas como mínimo y debe encontrarse abierto a la atmósfera.

1 DESEMBALAJE DE LA LAVADORA

Después de que la lavadora esté en el hogar, retire el material de embalaje/caja exterior de la lavadora.

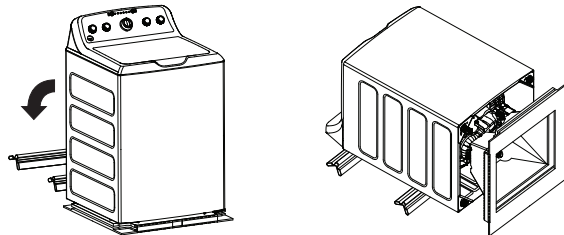
Retire la bolsa (que contiene la abrazadera, el sujetacables y el sujetador de la manguera de drenaje), la manguera de drenaje y la Guía de referencia del propietario de la canasta.

NOTA: Deje el material de embalaje de goma espuma dentro del envase para sostenerlo en su lugar durante el resto de la instalación.



2 RETIRE LA BASE

Retire la base de la unidad colocando el pie al costado de la base e inclinando la unidad nuevamente hacia atrás sobre el panel posterior. Retire la base y vuelva a enderezar la lavadora.



⚠ ADVERTENCIA ⚡ - Riesgo de descarga eléctrica

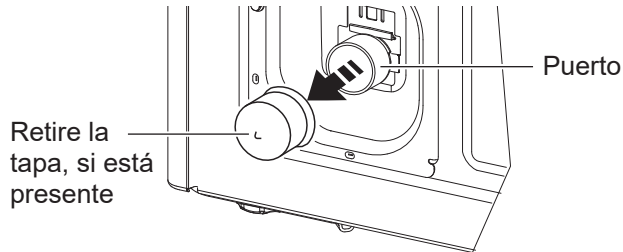
Ciertas piezas internas intencionalmente no tienen conexión a tierra y pueden presentar un riesgo de descarga eléctrica solo durante la reparación.

Personal de reparación – NO toque las siguientes piezas cuando el aparato esté recibiendo electricidad: Motor de impulsión, bloqueo de la tapa, válvulas de agua, bomba de drenaje y bomba de recirculación.

Instrucciones de instalación

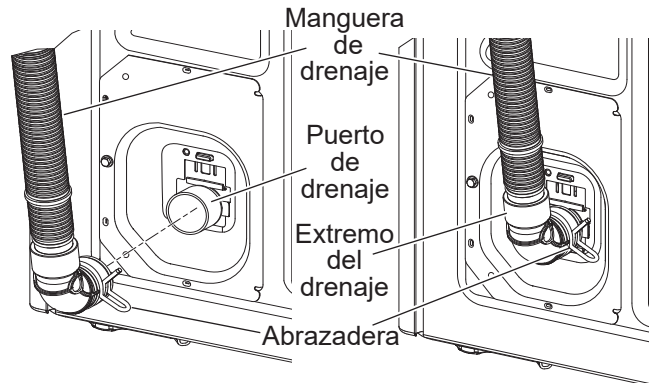
3 CONECTE LA MANGUERA DE DRENAJE A LA LAVADORA

Retire la tapa del puerto de drenaje, si está presente, antes de instalar la manguera de drenaje. Es normal que una pequeña cantidad de agua residual del proceso de prueba de calidad de fábrica drene del puerto al retirar la tapa.



Parte trasera de la lavadora

Conecte la manguera de drenaje al puerto de drenaje en la parte posterior de la lavadora. Abra la abrazadera con las pinzas y deslícela en el extremo de la manguera. Manteniendo la abrazadera abierta, empuje el extremo de la manguera en el puerto de drenaje hasta que encaje por completo. Suelte la abrazadera entre las ranuras de ubicación en el extremo de la manguera. La salida del extremo de la manguera debe orientarse de forma vertical.



MANGUERAS DE SUMINISTRO DE AGUA

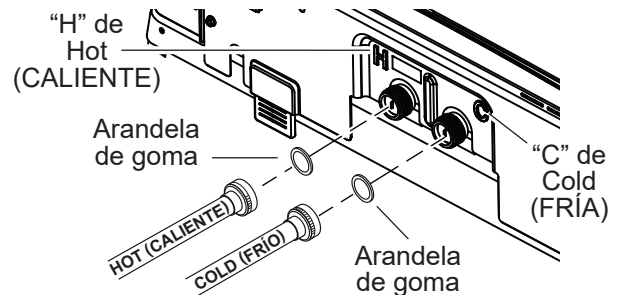
De forma periódica, inspeccione que no haya pérdidas de agua, desgastes, cortes, corrosión ni bultos en todas las mangueras de entrada de agua. En caso de que aparezcan signos de cualquiera de estas fallas, reemplace todas las mangueras de inmediato. Se deberá reemplazar todas las mangueras cada 5 años de uso para reducir riesgos de fallas de las mangueras y posibles daños ocasionados por el agua. Al reemplazar las mangueras, consulte las Instrucciones de Instalación para realizar una instalación correcta. NO ajuste en exceso ni desgaste las roscas de los accesorios. NO permita que la manguera roce contra objetos filosos, que se retuerza o se extienda de forma excesiva. Siempre asegúrese de que las juntas de goma de la manguera estén instaladas y sin goteos al recibir presión.

4 CONECTE LAS MANGUERAS DE AGUA A LA LAVADORA

Antes de instalar las mangueras de agua, desenchufe el cable eléctrico. Si no está instalada, instale la arandela de goma en un extremo de la manguera de agua caliente. Enrosque la manguera de agua caliente en la conexión marcada con una **H** en la parte superior trasera de la arandela. Ajuste manualmente y use una pinza para ajustar las mangueras entre 1/8 y 1/4 de giro luego del ajuste manual.

Si no está instalada, instale la arandela de goma en un extremo de la manguera de agua fría **C**. Enrosque la manguera de agua fría en la conexión con la marca **C** en la parte superior trasera de la arandela. Ajuste manualmente y use una pinza para ajustar las mangueras entre 1/8 y 1/4 de giro luego del ajuste manual.

Mueva la lavadora lo más cerca posible de la ubicación final, dejando espacio para que pueda realizar las conexiones eléctricas, de agua y de drenaje en su hogar.



5 CONECTE LAS MANGUERAS DE AGUA A LAS VÁLVULAS DE SALIDA

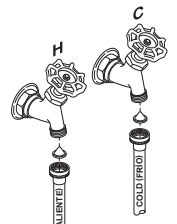
Averigüe cuál es la línea de agua CALIENTE antes de conectar las mangueras de agua a las llaves. Por lo general, la llave CALIENTE está a la izquierda.

(Si los filtros/arandelas de goma no están instaladas) Con la parte convexa del filtro hacia usted, coloque el filtro/arandela de goma en cada uno de los extremos libres de las dos mangueras de agua.

Conecte las mangueras de agua caliente a las válvulas de salida de agua caliente de su hogar. Ajuste manualmente y use una pinza para ajustar las mangueras entre 1/4 y 1/2 giro luego del ajuste manual. Abra la válvula de agua caliente.

Conecte las mangueras de agua fría a las válvulas de salida de agua fría de su hogar. Ajuste manualmente y use una pinza para ajustar las mangueras entre 1/4 y 1/2 giro luego del ajuste manual. Abra la válvula de agua fría.

Compruebe si hay fugas y goteos en las uniones de las mangueras. Ajuste según sea necesario.

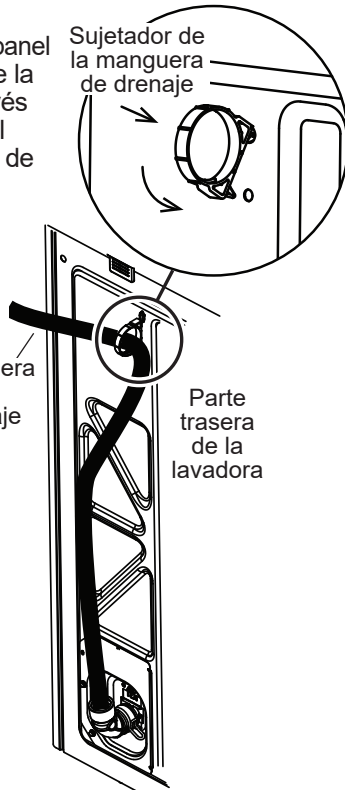


Instrucciones de instalación

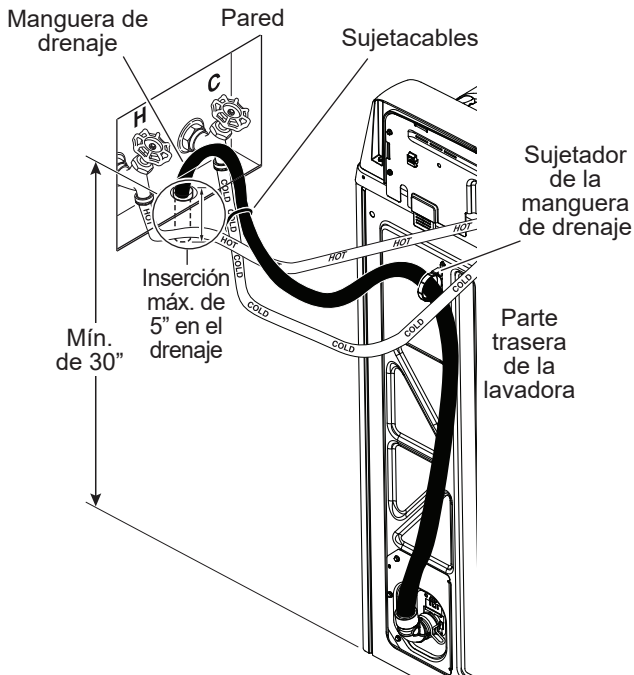
6 CONECTE AL DRENAJE

Instale el sujetador de la manguera de drenaje en el panel trasero de la arandela. Pase la manguera de drenaje a través del sujetador e introduzca el extremo libre en la abertura de drenaje de su hogar.

NOTA: Si se requiere una manguera de drenaje más larga, solicite el kit de extensión de la manguera de drenaje, número de pieza de GE Appliances **WH49X301**. Conecte la manguera de drenaje adicional (que contiene el kit) a la manguera original con la abrazadera de la manguera (que contiene el kit).



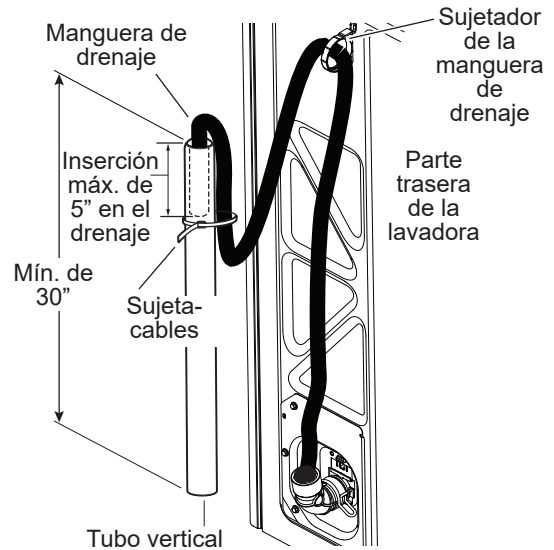
Si las válvulas de agua y el drenaje están adheridos a la pared, sujete la manguera de drenaje a una de las mangueras de agua con el sujetacables provisto.



NOTA: Colocar la manguera de drenaje muy por debajo de la tubería de drenaje puede provocar una acción de sifón. No debe haber más de 5 pulgadas de manguera en la tubería de drenaje. Debe haber un espacio de aire alrededor de la manguera de drenaje. Si la manguera está muy ajustada, también puede provocar una acción de sifón.

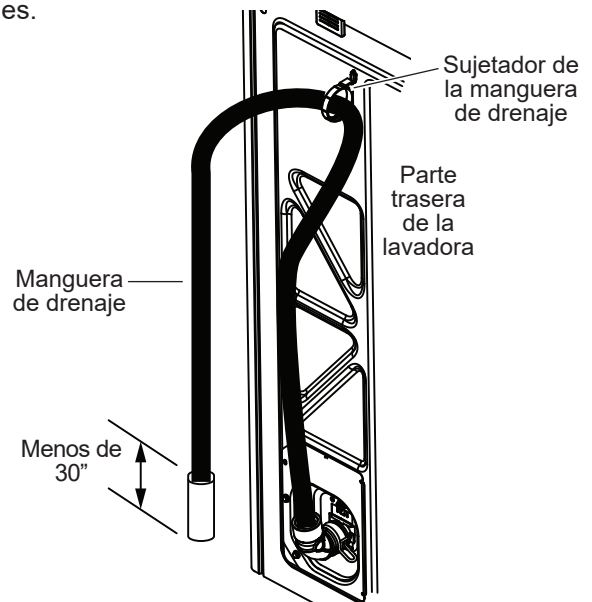
6 CONECTE AL DRENAJE (Cont.)

Si el drenaje es un tubo vertical, sujete la manguera de drenaje al tubo vertical con el sujetacables provisto.



NOTA: Colocar la manguera de drenaje muy por debajo de la tubería de drenaje puede provocar una acción de sifón. No debe haber más de 5 pulgadas de manguera en la tubería de drenaje. Debe haber un espacio de aire alrededor de la manguera de drenaje. Si la manguera está muy ajustada, también puede provocar una acción de sifón.

Si la altura de la descarga del drenaje no cubre el requisito de altura mínima de 30", el extremo de la manguera de drenaje debe ser asegurado por un instalador en la abertura del drenaje del hogar y se deberá dejar una brecha de aire alrededor de la manguera para evitar sifones.



NOTA: Colocar la manguera de drenaje muy por debajo de la tubería de drenaje puede provocar una acción de sifón. No debe haber más de 5 pulgadas de manguera en la tubería de drenaje. Debe haber un espacio de aire alrededor de la manguera de drenaje. Si la manguera está muy ajustada, también puede provocar una acción de sifón.

Instrucciones de instalación

REQUISITOS ELÉCTRICOS

⚠ ADVERTENCIA  - Riesgo de descarga eléctrica

Enchufe en un tomacorriente de 3 clavijas con conexión a tierra.

NO retire el terminal de tierra.

NO USE un adaptador.

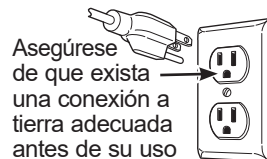
NO USE un enchufe adaptador.

Si no se siguen estas instrucciones, se puede producir la muerte, un incendio o descargas eléctricas.

CIRCUITO – Disyuntor o fusible de retardo de 15 o 20 amperios individual, correctamente polarizado y conectado a tierra.

SUMINISTRO DE CORRIENTE – 2 cables y conexión a tierra, 120 voltios, fase simple, 60 Hz., corriente alterna.

Receptáculo Externo – El receptáculo de 3 clavijas con conexión a tierra debe colocarse de forma que el cable de alimentación sea accesible cuando la lavadora



esté instalada. Si hay un receptáculo de 2 clavijas, es responsabilidad del propietario solicitar a un electricista matriculado que reemplace el mismo por un receptáculo de 3 clavijas con conexión a tierra que esté correctamente conectado.

La lavadora deberá estar correctamente conectada a tierra de acuerdo con los códigos y las ordenanzas locales, o en ausencia de códigos locales, con la última edición del CÓDIGO ELÉCTRICO NACIONAL, ANSI/NFPA N.º 70 o el CÓDIGO ELÉCTRICO CANADIENSE, CSA C22.1. En caso de no estar seguro de que la lavadora esté correctamente conectada a tierra, consulte a un electricista matriculado.

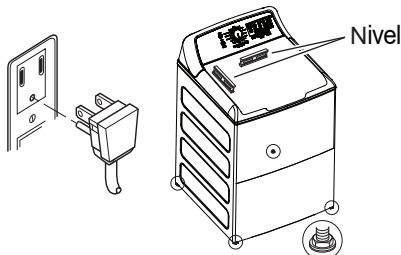
7 CONECTE LA ALIMENTACIÓN E INSTALE

Asegúrese de que el botón de control (en algunos modelos) de la lavadora se encuentre presionado y en la posición de APAGADO.

Inserte el enchufe del cable eléctrico en un receptáculo de 115 voltios y de 15 o 20 amperios. Desplace la lavadora hacia su posición final. Coloque el nivel en el extremo superior lateral de la lavadora. Ajuste las cuatro patas niveladoras hasta que la lavadora esté nivelada de izquierda a derecha y de adelante hacia atrás. Quite el nivel.

Abra la tapa de la canasta. Retire y deseche el material de embalaje de la canasta (consulte el Paso 1).

Quite la lámina protectora de plástico del frente del tablero de control.



INSTRUCCIONES DE CONEXIÓN A TIERRA

Esta lavadora deberá estar conectada a tierra. En caso de avería o mal funcionamiento, la conexión a tierra reducirá el riesgo de descargas eléctricas al proporcionar una ruta con una resistencia menor para la corriente eléctrica. Este aparato está equipado con un cable que tiene un conductor de conexión a tierra del equipo y un enchufe con conexión a tierra. El enchufe deberá estar conectado a un tomacorriente instalado de forma adecuada y con conexión a tierra de acuerdo con todos los códigos y las ordenanzas locales.

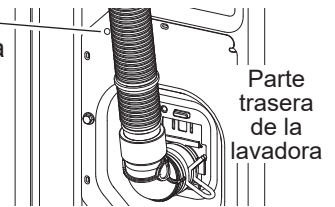
⚠ ADVERTENCIA La conexión incorrecta del conductor de conexión

a tierra del equipo puede provocar un riesgo de descarga eléctrica. Consulte a un electricista calificado, representante o personal de servicio si tiene dudas sobre si la lavadora está correctamente conectada a tierra. **NO** modifique el enchufe del cable de suministro de corriente. Si no encaja en el tomacorriente, contrate a un electricista calificado para que instale una toma de corriente adecuada.

Si los códigos locales lo requieren, se podrá agregar un cable a tierra externo de cobre de calibre 18 o más grande (no provisto). Adhiéralo al gabinete de la lavadora con un tornillo de chapa metálica N.º 10-16 x 1/2" (disponible en cualquier tienda de

repuestos) a la parte trasera de la lavadora, siguiendo la ilustración.

Conecte el cable a tierra y el tornillo de conexión a tierra (adquirido localmente)



Instalación en casas rodantes:

La instalación se deberá realizar conforme con las Normas para Casas Rodantes (Standard for Mobile Homes), ANSI A119.1 y la Ley Nacional de Normas de Construcción y Seguridad de Casas Rodantes de 1974 (PL93-383).



LISTA DE VERIFICACIÓN FINAL

Antes de poner en funcionamiento la lavadora, asegúrese de comprobar lo siguiente:

- La alimentación principal debe estar encendida.
- La lavadora debe estar enchufada.
- Las llaves de paso están abiertas.
- La lavadora está nivelada y cada una de las cuatro patas niveladoras está en contacto con el piso.
- Se retiró la gomaespuma y el cartón de embalaje.
- La manguera de drenaje está bien asegurada.
- No hay fugas en la llave de paso, la tubería de drenaje ni la lavadora.
- Retire la tapa del puerto de drenaje, si está presente, antes de instalar la manguera de drenaje.

Notas

Antes de Solicitar el Servicio Técnico

Problema	Posibles causas	Qué hacer
Rocío corto y demora después de presionar el botón Start (Inicio)	La tapa se abrió y se cerró entre la selección del ciclo y el inicio.	Esto es normal. Consulte la SECUENCIA DE INICIO en la sección Instrucciones de seguridad .
El nivel de agua parece bajo	Esto es normal	Es posible que el agua no cubra el nivel superior de la ropa. Esto es normal para esta lavadora de alta eficiencia.
Bajo flujo de agua	Las mallas de la válvula de agua se detienen	Cierre la fuente de agua y retire las mangueras de conexión de agua de la parte superior trasera de la lavadora y los grifos de agua. Limpie las mallas de la manguera (si están equipadas) y las mallas de la máquina con un cepillo o un palillo. Vuelva a conectar las mangueras y vuelva a abrir el agua. Compruebe que no haya fugas en las conexiones.
Sifón de agua fuera de la lavadora	El tubo vertical de drenaje está demasiado bajo o la manguera está muy metida en el tubo vertical	La manguera de drenaje debe superar los 30" de altura en algún punto entre la parte posterior de la lavadora y el tubo de drenaje. Utilice un sujetador antisifón. Consulte las Instrucciones de instalación .
Demasiada espuma	Agua blanda	Pruebe con menos detergente.
	Demasiado detergente	Mida su detergente con cuidado. Use menos jabón si tiene agua blanda, una carga más pequeña o una carga con suciedad leve.
	Tipo de detergente	Cambie a un detergente de alta eficiencia como  .
Fugas de agua	Tipo de detergente	Cambie a un detergente de alta eficiencia como  .
	Uso de demasiado detergente en la lavadora	Utilice menos detergente. Use menos jabón si tiene agua blanda, una carga más pequeña o una carga con suciedad leve.
	Las mangueras de llenado o de drenaje no están conectadas de forma correcta	Asegúrese de que las conexiones de la manguera estén ajustadas en los grifos y que las arandelas de goma estén instaladas. Asegúrese de que el extremo de la manguera de drenaje esté insertado de forma correcta y asegurado a la instalación de drenaje.
	Drenaje doméstico obstruido	Revise las tuberías domésticas. Es posible que deba llamar a un plomero.
	La manguera de drenaje roza con la pared	Asegúrese de que la manguera de drenaje no haga contacto con la pared. Puede causar un desgaste excesivo en la manguera.
	Presión de agua constante para llenar las mangueras en la fuente de agua	Ajuste las mangueras en los grifos. Revise el estado de las mangueras de llenado; deben reemplazarse cada 5 años
	La temperatura del agua no parece ser la correcta	Las temperaturas más frías del agua proporcionan una mejor eficiencia energética
	El suministro de agua está cerrado o conectado de forma incorrecta	Abra completamente los grifos de agua caliente y agua fría y asegúrese de que las mangueras estén conectadas a los grifos correctos. NOTA: Las válvulas de agua están marcadas como "H" (caliente) y "C" (fría).
	Las mallas de la válvula de agua se detienen	Cierre la fuente de agua y retire las mangueras de conexión de agua de la parte superior trasera de la lavadora y los grifos de agua. Limpie las mallas de la manguera (si están equipadas) y las mallas de la máquina con un cepillo o un palillo. Vuelva a conectar las mangueras y vuelva a abrir el agua. Compruebe que no haya fugas en las conexiones.
	Agua Fresca/Frío al seleccionar Caliente	Esto es normal. La lavadora detecta la temperatura del agua (en algunos modelos) y la optimiza para obtener mejores resultados. El agua fría se agrega de forma periódica cuando se selecciona la opción caliente.
	El calentador de agua del hogar no está ajustado de forma correcta	Asegúrese de que el calentador de agua del hogar suministre agua entre 120 °F y 140 °F (48 °C y 60 °C).
	Agua bombeada antes de completarse el ciclo	El agua se dejó en la unidad durante 24 horas con la tapa cerrada o durante 15 minutos con la tapa abierta
El agua no drena	La manguera de drenaje está doblada o mal conectada	Enderece la manguera de drenaje y asegúrese de que la arandela no esté apoyada sobre ella. La parte superior de la salida del drenaje debe estar a menos de 8 pies (2.44 m) por encima del piso.

Antes de Solicitar el Servicio Técnico

Problema	Posibles causas	Qué hacer
La arandela gira y hace pausas al comienzo de los ciclos	Esto es normal	La lavadora detecta la carga.
La lavadora hace una pausa durante el ciclo de lavado	Se eligió la opción Soak (Remojo)	Esto es normal. La lavadora alterna entre agitar y remojar durante estos ciclos para que su ropa quede más limpia con menos desgaste.
	Esto es normal	Muchos ciclos se incorporan una serie de remojos dentro del período de agitación para limpiar su ropa con menos desgaste.
Los aditivos para el lavado se dispensan rápido (dispensadores en algunos modelos)	Llenado excesivo de los dispensadores	No llene en exceso ni agregue agua al dispensador. Seleccione la opción Deep Rinse/Extra Rinse (Enjuague profundo/Enjuague adicional) cuando utilice suavizante de telas.
La lavadora hace una pausa durante el ciclo de centrifugado	Esto es normal	Es posible que la lavadora haga una pausa durante el ciclo de centrifugado para eliminar el agua con jabón de manera más eficiente.
La lavadora no funciona	La lavadora está desenchufada	Asegúrese de que el cable esté enchufado de manera segura en un tomacorriente que funcione.
	El suministro de agua está cerrado	Abra completamente los grifos de agua caliente y agua fría.
	La tapa está abierta: función de seguridad que evita la agitación y el centrifugado cuando la tapa está levantada	Cierre la tapa y presione Start (Inicio).
	El disyuntor/fusible está desconectado/quemado	Verifique los disyuntores/fusibles del hogar. Reemplace los fusibles o reinicie el disyuntor. La lavadora debe tener un tomacorriente separado.
	Los componentes electrónicos deben restablecerse	Desenchufe la lavadora, espere 2 minutos, vuelva a enchufar y presione Start (Inicio).
	No se presionó Start (Inicio).	Oprima Start (Inicio).
Los paquetes de detergente no se disuelven	Paquete de detergente para ropa colocado en el dispensador	Los paquetes de detergente para ropa no deben usarse en los dispensadores. Deben añadirse directamente a la canasta de lavado siguiendo las instrucciones del fabricante.
Cambios inexplicables en el tiempo o en los ajustes	Cambio de las opciones (en algunos modelos)	Esto es normal. Varias opciones cambiarán otras opciones para maximizar el rendimiento de la lavadora.
La canasta parece estar suelta	La canasta se mueve o gira libremente	La canasta de la lavadora no tiene un freno tradicional. La canasta de la lavadora se moverá libremente. Esto es normal.
El agitador parece estar suelto (en algunos modelos)	La parte superior del agitador se mueve/tiene movimiento de lado a lado	La parte superior del agitador está diseñada para ser flexible y permitir el cuidado de artículos grandes y pesados como edredones; esto es normal.
Manchas de colores	Uso incorrecto del suavizante	Lea las instrucciones en el envase del suavizante y siga las recomendaciones para el uso del dispensador. Asegúrese de haber seleccionado la opción Deep Rinse/Extra Rinse (Enjuague profundo/Enjuague adicional) (en algunos modelos). Trate previamente la mancha y vuelva a lavarla con el ciclo Quick Wash (Express) (en algunos modelos) antes de secar.
	Transferencia de tintes	Separe las prendas blancas o de colores claros de las de colores oscuros.
Ropa grisácea o amarillenta	Cantidad del detergente	Asegúrese de seguir las instrucciones del fabricante del detergente.
	Agua dura	Use un suavizante de agua o instale un descalcificador.
	El agua no está lo suficientemente caliente	Asegúrese de que el calentador de agua suministre agua entre 120 °F y 140 °F (48 °C y 60 °C).
	La lavadora está sobrecargada	Cargue la ropa sin apretar a una altura que no supere la fila superior de orificios en la canasta de la lavadora. Para obtener mejores resultados, cargue las prendas alrededor del exterior de la canasta.
	Transferencia de tintes	Clasifique la ropa por color. Si la etiqueta de la prenda indica que se lava por separado, se pueden indicar tintes inestables.

Antes de Solicitar el Servicio Técnico

Problema	Posibles causas	Qué hacer
Pelusa o residuos en la ropa	La ropa se seca al aire o en el tendedero	Si no seca su ropa con una secadora, su ropa puede retener más pelusa.
	Separación incorrecta	Separe los productores de pelusa de los que la captan.
	Lavado demasiado largo	Lave las cargas pequeñas durante un tiempo más corto usando el ajuste Light Soil (Ligeramente sucia).
	El detergente no se disuelve	Vuelva a lavar, la próxima vez: Pruebe un detergente líquido. Utilice una temperatura de agua más caliente.
	Sobrecarga	Cargue la ropa sin apretarla en la canasta de la lavadora. Para obtener mejores resultados, cargue las prendas alrededor del exterior de la canasta.
	Uso incorrecto del suavizante	Lea las instrucciones en el envase del suavizante y siga las recomendaciones para el uso del dispensador. Asegúrese de haber seleccionado la opción Deep Rinse/Extra Rinse (Enjuague profundo/Enjuague adicional) (en algunos modelos)
Ropa demasiado mojada	Se seleccionó un ciclo incorrecto	Asegúrese de que el ciclo seleccionado coincida con la carga que está lavando. Algunos tejidos se sentirán más húmedos cuando se enjuaguen con agua fría.
	Carga desequilibrada de la lavadora	Redistribuya la carga en la lavadora y active el ciclo de Drain & Spin (Drenar y Centrifugar).
Luz del centrifugado parpadeando o luz del centrifugado encendida al final del ciclo	Se ha detectado una condición de desequilibrio	Deje que el ciclo continúe y termine. Si la carga está mojada al final del ciclo, nivele la carga y ejecute un ciclo de Drain & Spin (Drenar y Centrifugar).
Formación de "bolitas"	Resultado del desgaste normal en mezclas de polialgodón y tejidos con pelusas	Aunque la causa no sea la lavadora, puede desacelerar el proceso de formación de "bolitas" lavando las prendas al revés.
Enganches, agujeros, rasgaduras, roturas o desgaste excesivo	Alfileres, broches a presión, ganchos, botones afilados, hebillas de cinturón, cremalleras y objetos afilados que quedan en los bolsillos	Ajuste broches, ganchos, botones y cremalleras. Retire las prendas sueltas como alfileres, objetos en los bolsillos y botones afilados. Dé vuelta los tejidos (que se enganchan con facilidad).
	Blanqueador a base de cloro sin diluir	Revise las instrucciones del paquete del blanqueador para ver la cantidad correcta. Nunca agregue blanqueador sin diluir para lavar ni permita que la ropa entre en contacto con el blanqueador sin diluir.
	Productos químicos como decolorante o tinte, solución permanente en el cabello	Enjuague las prendas que puedan tener productos químicos antes de lavarlas. Use el ciclo de Quick Wash (Express) con la opción de Extra Rinse (Enjuague adicional) (en algunos modelos)
Arrugas	Ciclos de lavado y secado incorrectos	Haga coincidir la selección del ciclo con el tipo de tela que está lavando (especialmente para cargas de fácil cuidado).
	Clasificación incorrecta	Evite mezclar prendas pesadas (como mahones) con objetos livianos (como blusas). Pruebe con un suavizante de telas.
	Sobrecarga	Cargue la ropa sin apretarla en la canasta de la lavadora.
	Lavado repetido en agua demasiado caliente	Lave con agua tibia o fresca.

Antes de Solicitar el Servicio Técnico

Sonidos	Posibles causas	Motivo
“Clic”	El mecanismo de cambios se activa o desactiva	El sistema de accionamiento se activará al inicio de la agitación y se desactivará cuando se complete la agitación. Esto ocurre varias veces durante el lavado.
“Silbido” al avanzar y retroceder	Dirección inversa del motor eléctrico	Este sonido es el motor que gira hacia adelante y hacia atrás para limpiar la lavadora.
“Clic” detrás del Control durante el llenado	Válvula del control automático de la temperatura	Dos válvulas combinan agua fría y caliente. El “clic” es cuando cualquiera de las válvulas se enciende o apaga para aumentar o disminuir la temperatura del agua de llenado.
El flujo de agua cambia durante el llenado	Válvula del control automático de la temperatura	Dos válvulas combinan agua fría y caliente. El “clic” es cuando cualquiera de las válvulas se enciende o apaga para aumentar o disminuir la temperatura del agua de llenado.
Suena el motor durante el centrifugado	Aumento/disminución del motor durante el ciclo del centrifugado	El motor se acelerará de forma gradual durante el ciclo de centrifugado. Cuando se complete el centrifugado, disminuirá hasta que se detenga.
“Zumbido”	Bomba de drenaje de agua	La bomba de drenaje emitirá un sonido de zumbido al bombear agua después de que se detenga la agitación y continuará hasta que se complete el centrifugado.
	Motor de accionamiento	El motor de accionamiento emitirá un sonido de “zumbido” durante las fases de lavado y centrifugado del ciclo.
“Gorgoteo”	Bomba de drenaje de agua	Cuando la bomba comienza a aspirar aire, comienza a gorgotear. La lavadora debe comenzar a girar y el sonido continuará hasta que termine de girar.
“Sonido sibilante” del agua	Proceso de lavado	Es normal que el agua circule mientras la unidad se agita, especialmente con cargas más pequeñas.
Lavadora se balancea/mueve	Las patas niveladoras de la lavadora son irregulares	Para nivelar la arandela, ajuste las patas niveladoras girando la pata individual en la dirección correcta hacia arriba o hacia abajo.
Sonido de “chirrido”	Lavadora desbalanceada y rozando el gabinete	Para nivelar la arandela, ajuste las patas niveladoras girando la pata individual en la dirección correcta hacia arriba o hacia abajo.

Sonidos de lavadora que pueden ser diferentes a los de su lavadora anterior:

Los clics, el flujo del agua, los sonidos de los engranajes seguidos de pausas y los sonidos de zumbido eléctrico son parte del ciclo de lavado normal.

Para escuchar y ver videos sobre el funcionamiento normal de la lavadora, visite <http://products.geappliances.com/appliance/gea-support-search-content?contentid=23061> o escanee el código QR. **NOTA:** El sitio web es sólo en Inglés, pero los videos son todavía útiles para escuchar los sonidos que pueda oír.



Garantía limitada para electrodomésticos GE/Hotpoint

GEAppliances.com

Todo el servicio de garantía es provisto por nuestros Centros de Servicio de Fabricación, o un técnico autorizado de Servicio al Cliente (Customer Care®). Para programar una visita de servicio técnico, visítenos a través del Internet en **GEAppliances.com/service**, o llame GE Appliances al 800.GE.CARES (800.432.2737). Cuando llame para solicitar el servicio, tenga los números de serie y modelo disponibles. Para realizar el servicio técnico de su electrodoméstico se podrá requerir el uso de datos del puerto de abordaje para su diagnóstico. Esto da al técnico de Servicio de Fábrica de GE Appliances la habilidad de diagnosticar de forma rápida cualquier problema con su electrodoméstico, y de ayudar a GE Appliances a mejorar sus productos al brindarle a GE Appliances la información sobre su electrodoméstico. Si no desea que los datos de su electrodoméstico sean enviados a GE Appliances, solicitamos que le indique a su técnico NO entregar los datos a GE Appliances en el momento del servicio.

NOTA: Para aplicaciones no residenciales o de viviendas múltiples (p. ej., complejos de apartamentos, hoteles, viviendas multifamiliares, etc.), la **garantía limitada es de un año** para cualquier parte de la lavadora que falle debido a un defecto en los materiales o la mano de obra únicamente. Usted será responsable de cualquier costo de mano de obra y servicio relacionado.

Para el período de:	Reemplazaremos:
Un año Desde la fecha de la compra original	Cualquier parte de la lavadora que falle debido a un defecto en los materiales o la mano de obra. Durante esta garantía limitada de un año , también proporcionaremos, sin cargo, toda la mano de obra y el servicio relacionado para reemplazar la pieza defectuosa.

Garantía adicional para los modelos GTW585, GTW538, GTW485, GTW480 únicamente:

Diez años Desde la fecha de la compra original	El motor , si falla debido a un defecto en los materiales o la mano de obra. Durante esta garantía limitada adicional de nueve años , usted será responsable de cualquier costo de mano de obra y servicio relacionado.
--	---

Garantías adicionales para el modelo GTW525 únicamente:

Cinco años Desde la fecha de la compra original	Cualquier parte de la lavadora que falle debido a un defecto en los materiales o la mano de obra. Durante esta garantía limitada de cinco años , también proporcionaremos, sin cargo, toda la mano de obra y el servicio relacionado para reemplazar la pieza defectuosa.
Diez años Desde la fecha de la compra original	El motor , si falla debido a un defecto en los materiales o la mano de obra. Durante esta garantía limitada adicional de nueve años , usted será responsable de cualquier costo de mano de obra y servicio relacionado.
Vida útil del producto Desde la fecha de la compra original	La canasta de acero inoxidable , si falla debido a la oxidación o corrosión del acero inoxidable. Durante esta garantía limitada adicional DE POR VIDA , usted será responsable de cualquier costo de mano de obra y servicio relacionado.

Qué no está cubierto:

- Viajes del técnico a su casa para enseñarle cómo usar su producto.
- Instalación, entrega o mantenimiento inadecuado.
- Falla del producto si se abusa, se usa indebidamente o se usa para un fin que no sea el previsto o se usa comercialmente.
- Reemplazo de fusibles domésticos o restablecimiento de disyuntores.
- Productos que no estén defectuosos o rotos, o que funcionen como se describe en el Manual del Propietario.
- Daños al producto causados por accidentes, incendios, inundaciones o actos de la naturaleza.
- Daños incidentales o consecuentes causados por posibles defectos con este electrodoméstico.
- Defectos o daños debido a la puesta en funcionamiento a temperaturas heladas.
- Daño causado después de la entrega.
- Producto no accesible para proveer el servicio requerido.
- Daño a la canasta de acero inoxidable causado por el uso indebido de productos químicos en aplicaciones no residenciales o de múltiples viviendas.

EXCLUSIÓN DE GARANTÍAS IMPLÍCITAS

Su único y exclusivo recurso es la reparación del producto según lo dispuesto en esta Garantía Limitada. Las garantías implícitas, incluyendo garantías implícitas de comerciabilidad o conveniencia sobre un propósito particular, se limitan a un año o al período más corto permitido por la ley.

Esta garantía limitada se extiende al comprador original y a cualquier propietario subsiguiente para los productos comprados para uso doméstico dentro de los Estados Unidos. Si el producto está situado en un área que no dispone de servicio por parte de un proveedor de servicio autorizado de GE Appliances, usted podría tener que hacerse cargo de los costos de envío o bien podría solicitarse que lleve el producto a un centro de servicio de GE Appliances autorizado para realizar la reparación. En Alaska, la garantía limitada excluye el costo de envío o las visitas de servicio a su casa.

Algunos estados no permiten la exclusión o limitación de daños incidentales o consecuentes. Esta garantía limitada le otorga derechos legales específicos y es posible que tenga otros derechos que varían de estado a estado. Para saber cuáles son sus derechos legales, consulte a su oficina local o provincial de asuntos del consumidor.

Garante: GE Appliances, a Haier company Louisville, KY 40225

Garantías extendidas: Compre una garantía extendida de GE Appliances y obtenga información sobre los descuentos especiales disponibles mientras su garantía aún está vigente. Puede comprarlo en Internet en cualquier momento en **geappliances.com/extended-warranty**

o llamando al 800.626.2224 en el horario de atención habitual. El servicio de GE Appliances seguirá disponible después de que venza su garantía.

GARANTÍA LIMITADA

Enganche su recibo aquí. Se necesita un comprobante de la fecha de compra original para obtener el servicio en virtud de la garantía

Asistencia para el consumidor

Sitio web de GE Appliances

¿Tiene alguna pregunta o necesita ayuda con su lavadora? Pruebe el sitio web de GE Appliances las 24 horas del día, cualquier día del año. También puede comprar más productos excelentes de GE Appliances y aprovechar todos nuestros servicios de asistencia en línea diseñados para su comodidad.

GEAppliances.com

Registre su lavadora

Registre su nueva lavadora en Internet según su conveniencia. El registro oportuno del producto permitirá una mejor comunicación y un servicio rápido según los términos de su garantía, en caso de que surja la necesidad. También puede enviar por correo la tarjeta de registro preimpresa que se incluye en el material de embalaje.

GEAppliances.com/register

Programar servicio

El servicio de reparación de GE Appliances por parte de expertos está a solo un paso de su puerta. Conéctese y programe su servicio a su conveniencia cualquier día del año.

GEAppliances.com/service o llame al 800.432.2737 en el horario de atención habitual.

Garantías extendidas

Compre una garantía extendida de GE Appliances y obtenga información sobre los descuentos especiales disponibles mientras su garantía aún está vigente. Puede comprarla en Internet en cualquier momento. Los servicios de GE Appliances seguirán disponibles después de que venza su garantía.

GEAppliances.com/extended-warranty o llame al 800.626.2224 en el horario de atención habitual.

Conectividad remota

Para obtener asistencia con la conectividad de la red inalámbrica (para modelos con habilitación remota), visite nuestro sitio web en GEAppliances.com/connect o llame al 800.220.6899.

Piezas y accesorios

Las personas calificadas para reparar sus propias lavadoras pueden recibir piezas o accesorios directamente en sus hogares (se aceptan tarjetas VISA, MasterCard y Discover). Haga su pedido en Internet hoy mismo, las 24 horas del día. GEApplianceparts.com o por teléfono al 877.959.8688 en el horario de atención habitual

Las instrucciones contenidas en este manual cubren los procedimientos que debe realizar cualquier usuario. Por lo general, otros servicios deben derivarse al personal de servicio calificado. Se debe tener precaución, ya que un servicio inadecuado puede causar un funcionamiento inseguro.

Contáctenos

Si no está conforme con el servicio que recibe de GE Appliances, comuníquese con nosotros en nuestro sitio web con todos los detalles, incluido su número de teléfono, o escriba a:

General Manager, Customer Relations | GE Appliances, Appliance Park | Louisville, KY 40225
GEAppliances.com/contact o llame al 800.626.2000