

JGSS86SP

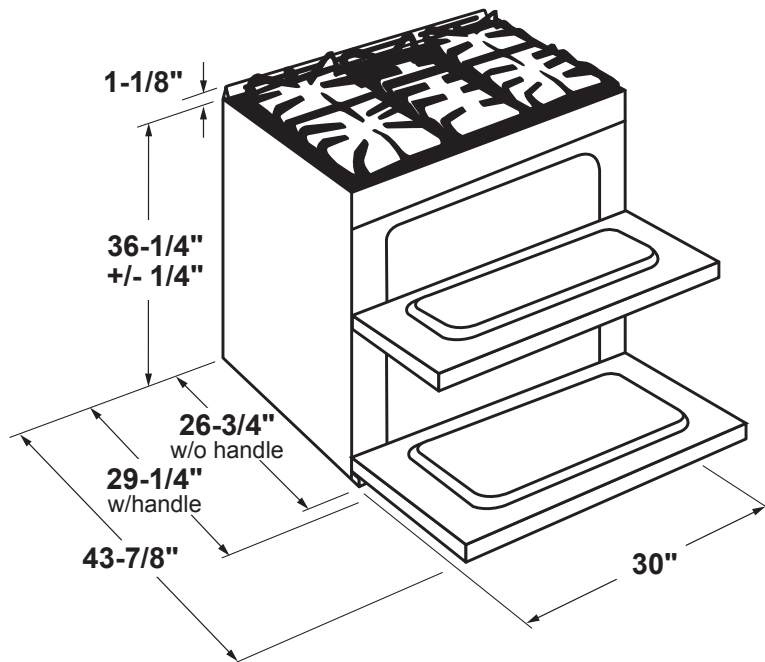
GE® 30" Slide-In Front Control Gas Double Oven Range

NOTE: Door handle protrudes 3" from door face. Cabinets and drawers on adjacent 45° and 90° walls should be placed to avoid interference with the handle.

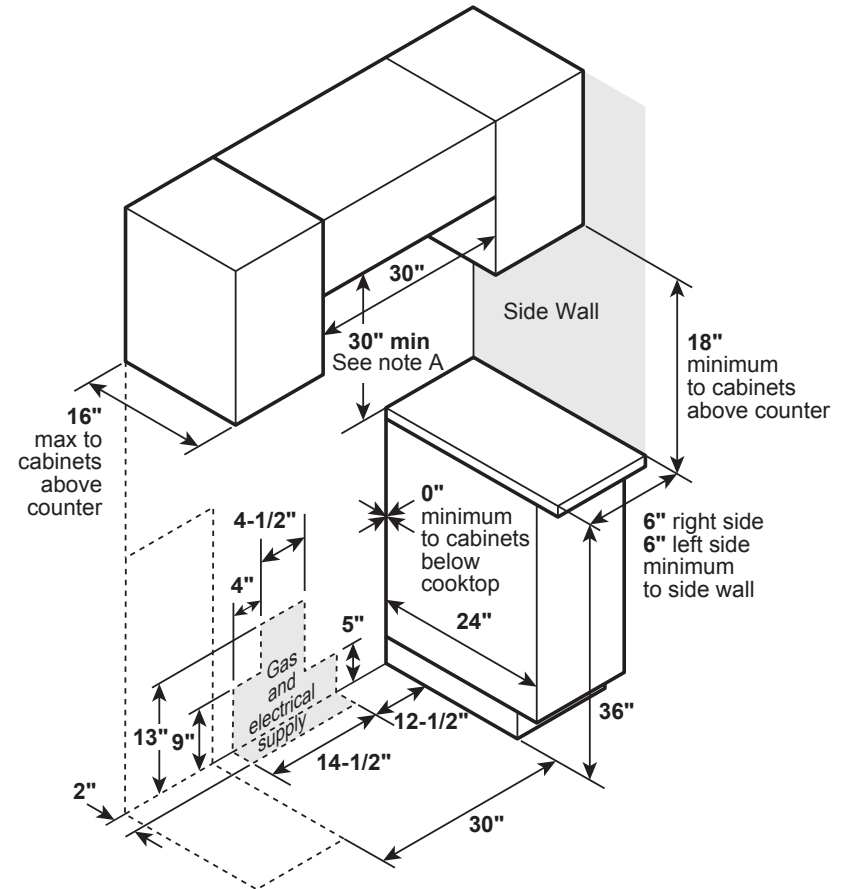
NOTE: Cabinets installed adjacent to slide-in ranges must have an adhesion spec of at least 194° temperature rating.

INSTALLATION INFORMATION: Before installing, consult installation instructions packed with product for current dimensional data.

For all installations, install the required rear trim to back of range with 4 screws provided.



GAS PIPE AND ELECTRICAL OUTLET LOCATIONS



Note A: 30" Minimum to bare cabinet, see installation instructions heights less than 30"



For answers to your Monogram, GE Café™, GE Profile™ or GE Appliances product questions, visit our website at geappliances.com or call GE Answer Center® Service, 800.626.2000.



GE ranges are equipped with Anti-Tip device. The installation of this device is an important, required step in the installation of the range.

JGSS86SP

GE® 30" Slide-In Front Control Gas Double Oven Range

FEATURES AND BENEFITS

No-Preheat Air Fry – Cook healthier, crispier versions of your favorite foods in less time, thanks to an air fryer right in your oven that doesn't require preheating, a basket or a special tray.

Fit Guarantee – This gas range will fit your existing 30" cut-out, or GE Appliances will help pay for modifications up to \$300.

Edge-to-Edge Cooktop – Continuous, edge-to-edge cooktop give you a large cooking space and can handle any cookware.

Powerful Burner Options – Cook meals of all sizes thanks to one 18,000-BTU burner for larger cookware and one 15,000-BTU burner for medium-sized pots and pans.

Integrated Griddle – This integrated non-stick griddle leads the industry in size and quality, so you can cook a lot of food at once.

Center Oval Burner – This center oval burner gives you a fifth burner and the perfect place to use griddles or odd-size cookware.

Steam Clean – A steam cleaning option cleans the oven cavity in a 30-minute cycle with less odor and heat.

In-Oven Broil – An in-oven broiler makes broiler cooking hassle-free.

Large Capacity Double Oven – Cook an entire meal at once with a 6.7 cubic foot total capacity double oven which provides enough room for multiple dishes.

True Convection – Enjoy consistent baking thanks to an advanced convection system that pairs a third heating element with a rear fan for a high level of precision.

Model JGSS86SPSS – Stainless Steel



Visit geappliances.com for more info

