

HOTPOINT®

July 2005



Complete your kitchen with the look of stainless.



HOTPOINT®

In Silver Metallic



Hotpoint in silver metallic. Today's alternative to stainless.



Offer a striking contemporary look

- Unique silver metallic finish complements any kitchen décor, countertop and cabinetry regardless of their color or finish
- Full-line of appliances offer a distinct design advantage



Take advantage of this durable design option

- Silver metallic finish resists fingerprints and is easy to wipe clean
- Refrigerators hold magnets for everyday convenience



Enhance the look of your kitchen with the look of stainless steel

- Stainless steel is a growing trend and GE is leading the way
- Increases perceived value of your property
- Coordinates with other appliance colors

Refrigeration

Side-By-Sides.....	6-7
Top-Freezers	8-16
GE Spacemaker®.....	17
GE Upright Freezers.....	18
GE Chest Freezers.....	19
Specifications	20-23

Free-Standing Ranges

Smooth Top.....	24
Coil Top.....	25
Electric	26
30" Ranges.....	26-31
Specialty Application Ranges.....	31
Specifications	32-33
Gas	34
30" Ranges.....	34-37
Specialty Application Ranges.....	37
Specifications	38-39

Hoods	40
Specifications	41

Microwave Ovens

Counter Saver Plus™ and Countertop	42
GE Spacemaker II™ and Countertop.....	43
GE Trim and Hanging Kits.....	43
Specifications	44-45

Dishwashers	46-47
GE Spacemaker® Undersink	48
GE Built-In 18".....	48
GE Convertible	48
Specifications	50-52

GE Disposers and GE Compactors	49
Specifications	53

Washers and Dryers

Super and Extra-Large Capacity Washers.....	54
Super and Extra-Large Capacity Dryers.....	55
GE Spacemaker® Washers and Dryers	56
GE Unitized Washer and Dryer.....	57
Specifications	58-61

GE Air Conditioning

GE Air Conditioning.....	62-65
GE Slide-Aire and Heat/Cool.....	66
GE Dehumidifiers, GE Portable and Low Profile Air Conditioners	67
GE Built-in Series	68-69
Specifications	70-74

Warranties	75
-------------------------	----

Consumer Services	Back cover
--------------------------------	------------

Side-by-Side Refrigerators

Hotpoint® side-by-side refrigerators combine storage convenience with state-of-the-art technology. Outside, an extra-tall LightTouch! dispenser delivers filtered water and ice at the slightest touch.



LightTouch! dispenser

Taller LightTouch! dispenser fills sport bottles, pitchers, even blenders! Delivers chilled, filtered water and ice.



Adjustable gallon door bins

Door bins hold gallon containers and six-packs in the fresh food compartment.



HSM25GFR

HSM25GFR

- Silver metallic exterior
- 25.0 cubic foot capacity
- Upfront electronic dial temperature controls
- Tall LightTouch! dispenser
- Three adjustable glass shelves
- Clear vegetable/fruit crisper
- Four door bins (2 adjustable with gallon storage)
- GE SmartWater™ filtration
- FrostGuard™ technology
- Deluxe quiet design
- NeverClean™ condenser



FrostGuard™ technology

Defrosts only as needed, reducing freezer burn.



Upfront electronic dial temperature controls

Conveniently located controls are easy to set and see.



Sealed pans

Provide the perfect storage environment for fresh foods.



HSS25GFP

HSS25GFP

- Similar features as HSM25GFR in white

Top-Freezer Refrigerators

Hotpoint® top-freezer refrigerators are designed for total convenience and flexibility. Adjustable shelves provide easy access to contents, while upfront controls allow easy adjustment of temperatures.



Upfront illuminated temperature controls
Conveniently located controls are easy to set and see.



Fixed gallon door storage
Provides storage for gallon containers, six-packs and other large fresh food items.



Clear crispers
Provide easy storage for vegetables and fruits.



Snack pan
Excellent for rewrapped meats, cheese, hors d'oeuvres, pudding and other snacks.



Dairy compartment
Clear, lift-open cover provides easy access to butter, cheese and other dairy products.



Spillproof freezer floor
Seamless design makes freezer cleanup simple.



HTS22GBP

HTS22GBP

- 21.8 cubic foot capacity
- Upfront illuminated fresh food temperature controls
- Two full-width, glass shelves
- Two full-width door bins (1 with gallon storage)
- One split door shelf with gallon storage
- Two clear vegetable/fruit crispers
- Clear snack pan
- Equipped for optional automatic icemaker
- Deluxe quiet design
- Available in white and bisque

Not all features available on all models. Complete features and specifications on page 20.



HTM181BP

HTM181BP

- Silver metallic exterior
- 17.9 cubic foot capacity
- Illuminated upfront slimline temperature controls
- One full-width, two split adjustable glass shelves
- Two clear vegetable/fruit crispers
- Two full-width gallon door bins, one split gallon door shelf
- Spillproof freezer floor

Top-Freezer Refrigerators

HTS18GBS

- 18.2 cubic foot capacity
- Upfront temperature controls
- Two full-width adjustable glass shelves
- Two fixed gallon door shelves
- Can storage door shelf
- Two clear vegetable/fruit crispers
- Clear snack pan
- Deluxe quiet design
- NeverClean™ condenser
- Available in white

HTS18CCS

- 18.2 cubic foot capacity
- Upfront temperature controls
- Factory-installed automatic icemaker
- Two fixed gallon door shelves
- Can storage door shelf
- Two full-width adjustable wire shelves
- Two classic white vegetable/fruit crispers
- Deluxe quiet design
- NeverClean condenser
- Available in white and bisque

HTS18CBS (not shown)

- Similar features and appearance as HTS18CCS without factory-installed icemaker.
- Available in white and bisque



HTS18GBS



HTS18CCS

Top-Freezer Refrigerators

HTS18BCP

- 18.0 cubic foot capacity
- Upfront illuminated temperature controls
- Two full-width adjustable wire shelves
- Three fixed door shelves (2 with gallon storage)
- Two classic white vegetable/fruit crispers
- Equipped with factory-installed icemaker
- Spillproof freezer floor
- Deluxe quiet design
- NeverClean condenser
- Available in white

HTS18BBP

- Similar features and appearance as HTS18BCP without factory-installed icemaker.
- Available in white and bisque



HTS18BCP



HTS18BBP

Top-Freezer Refrigerators



Gallon door storage

Accommodates gallon containers for quick access to most-used items.

HTS17HBS

- 16.6 cubic foot capacity
- Upfront temperature controls
- One full-width, two split adjustable glass shelves
- Two fixed gallon door shelves
- Two clear vegetable/fruit crispers
- Clear snack pan
- Equipped for optional automatic icemaker
- Deluxe quiet design
- NeverClean™ condenser
- Available in white and bisque

HTS17GBS

- 16.6 cubic foot capacity
- Upfront temperature controls
- Two full-width adjustable glass shelves
- Two fixed gallon door shelves
- Two clear vegetable/fruit crispers
- Clear snack pan
- Equipped for optional automatic icemaker
- Deluxe quiet design
- NeverClean condenser
- Available in white



HTS17HBS



HTS17GBS

Not all features available on all models.
Complete features and specifications on page 21.

Top-Freezer Refrigerators

HTS17BCS

- 16.6 cubic foot capacity
- Upfront temperature controls
- Factory-installed automatic icemaker
- Two full-width adjustable wire shelves
- Two fixed gallon door shelves
- Two classic white vegetable/fruit crispers
- Deluxe quiet design
- NeverClean condenser
- Available in white

HTS17BBS (not shown)

- Similar features and appearance as HTS17BCS without factory-installed icemaker.
- Available in white and bisque

HTR17BBS

- 16.6 cubic foot capacity
- Upfront temperature controls
- Recessed door handles
- Two full-width adjustable wire shelves
- Two fixed gallon door shelves
- Two classic white vegetable/fruit crispers
- Equipped for optional automatic icemaker
- Deluxe quiet design
- NeverClean condenser
- Available in white and bisque



HTS17BCS



HTR17BBS

Top-Freezer Refrigerators

HTM17BBS

- Silver metallic exterior
- 16.6 cubic foot capacity
- Upfront temperature controls
- Two full-width adjustable wire shelves
- Two fixed gallon door shelves
- Two classic white vegetable/fruit crispers
- Equipped for optional automatic icemaker
- Deluxe quiet design
- NeverClean™ condenser

HTS16BBS

- 15.7 cubic foot capacity
- Upfront temperature controls
- Two full-width adjustable wire shelves
- Two fixed gallon door shelves
- Two classic white vegetable/fruit crispers
- Equipped for optional automatic icemaker
- Deluxe quiet design
- NeverClean condenser
- Available in white and bisque

HTH16BBS (not shown)

- Similar features and appearance as HTS16BBS except ENERGY STAR®-qualified.
- Available in white and bisque



HTM17BBS



HTS16BBS

Top-Freezer Refrigerators



Recessed handles

Color-matched recessed door handles reflect the latest in European design and appearance.

HTR16BBS

- 15.7 cubic foot capacity
- Upfront temperature controls
- Recessed handles
- Two full-width adjustable wire shelves
- Two fixed gallon door shelves
- Two classic white vegetable/fruit crispers
- Equipped for optional automatic icemaker
- Deluxe quiet design
- NeverClean condenser
- Available in white and bisque



HTR16BBS

HTR16ABS

- 15.6 cubic foot capacity
- Upfront temperature controls
- Recessed handles
- Two full-width adjustable wire cabinet shelves
- Two fixed gallon door shelves
- One full-width white vegetable/fruit crisper
- Equipped for optional automatic icemaker
- Deluxe quiet design
- NeverClean condenser
- Available in white and bisque



HTR16ABS

Not all features available on all models.
Complete features and specifications on page 21.

GE® Top-Freezer Refrigerators

GTS12BBP

- 11.9 cubic foot capacity
- Two full-width, adjustable wire cabinet shelves
- Two full-width and one half fixed door shelves
- One full-width, white vegetable/fruit crisper
- Equipped for optional automatic icemaker
- Available in white and bisque

GTR11AAP

- 11.4 cubic foot capacity
- Two full-width wire cabinet shelves
- One full-width white vegetable/fruit crisper
- One wire full-width freezer shelf
- Available in white



GTS12BBP



GTR11AAP

GMR06AAP

- 6.0 cubic foot capacity
- Two wire cabinet shelves, one adjustable
- One full-width, two half-width door shelves
- Can rack
- Built-in or free-standing capability
- Color-matched visor handle
- Available in white and black



GMR06AAP

GMR04HAS (not shown)

- 4.3 cubic foot capacity
- Two full-width, one half-width glass cabinet shelves
- One full-width, two half-width door shelves
- Can rack
- Available in stainless

GMR04AAM

- 4.4 cubic foot capacity
- Two full-width, one half-width wire cabinet shelves
- Two full-width, one half-width door shelves
- Can rack
- Available in white and black



GMR04AAM

GMR02BAN

- 1.7 cubic foot capacity
- One fixed wire cabinet shelf
- One full-width, one half-width door shelves
- Available in white and black



GMR02BAN

GE® Upright Freezers



Lock provides security.

FUF20DP

- 20.3 cu. ft. capacity
- Five cabinet shelves, three adjustable
- One slide-out bulk storage basket
- Six door shelves
- Adjustable temperature control
- Built-in lock
- Interior light
- Limited food loss warranty*
- Available in white

FUF17DP (not shown)

- 16.7 cu. ft. capacity
- Four cabinet shelves, three adjustable
- One slide-out bulk storage basket
- Five door shelves
- Adjustable temperature control
- Built-in lock
- Interior light
- Limited food loss warranty*
- Available in white

FUF14DP (not shown)

- 13.7 cu. ft. capacity
- Three cabinet shelves, two adjustable
- One slide-out bulk storage basket
- Five door shelves
- Adjustable temperature control
- Built-in lock
- Interior light
- Limited food loss warranty*
- Available in white

FUM21DR

- 20.6 cu. ft. capacity
- Five cabinet shelves, one adjustable
- One slide-out bulk storage basket
- Six door shelves
- Defrost water drain
- Adjustable temperature control
- Built-in lock
- Interior light
- Limited food loss warranty*
- Available in white

FUM17DR (not shown)

- 17.1 cu. ft. capacity
- Four cabinet shelves, one adjustable
- One slide-out bulk storage basket
- Five door shelves
- Defrost water drain
- Adjustable temperature control
- Built-in lock
- Interior light
- Limited food loss warranty*
- Available in white

FUM14DR (not shown)

- 14.1 cu. ft. capacity
- Four cabinet shelves, one adjustable
- One slide-out bulk storage basket
- Five door shelves
- Defrost water drain
- Adjustable temperature control
- Built-in lock
- Interior light
- Limited food loss warranty*
- Available in white

FUM14SR (not shown)

- 14.1 cu. ft. capacity
- Three cabinet shelves
- Five door shelves
- Defrost water drain
- Adjustable temperature control
- Limited food loss warranty*
- Available in white

FUM5SN (not shown)

- 5.0 cu. ft. capacity
- Two cabinet shelves
- Three door shelves
- Adjustable temperature control
- Limited food loss warranty*
- Available in white



FUF20DP



FUM21DR

*See written warranty for complete details.

Not all features available on all models.
Complete features and specifications on page 23.



Bulk storage baskets lift out and slide from side-to-side for fast, easy loading and unloading.

FCM25RM

- 25.1 cu. ft. capacity
- Four lift-out and sliding bulk storage baskets
- Adjustable temperature control
- Upfront defrost drain
- Built-in lock
- Interior light
- Limited food loss warranty*
- Available in white

FCM20DP (not shown)

- 19.7 cu. ft. capacity
- Three lift-out and sliding bulk storage baskets
- Adjustable temperature control
- Upfront defrost drain
- Built-in lock
- Interior light
- Limited food loss warranty*
- Available in white

FCM15DP

- 14.8 cu. ft. capacity
- Two lift-out and sliding bulk storage baskets
- Adjustable temperature control
- Upfront defrost drain
- Built-in lock
- Interior light
- Limited food loss warranty*
- Available in white

FCM15SP (not shown)

- 14.8 cu. ft. capacity
- One lift-out and sliding bulk storage basket
- Adjustable temperature control
- Upfront defrost drain
- Limited food loss warranty*
- Available in white

FCM9DM

- 8.8 cu. ft. capacity
- Two lift-out and sliding bulk storage baskets
- Adjustable temperature control
- Upfront defrost drain
- Built-in lock
- Interior light
- Limited food loss warranty*
- Available in white

FCM7DR (not shown)

- 7.0 cu. ft. capacity
- Power "ON" light
- Two slide-out bulk storage baskets
- Adjustable temperature control
- Upfront defrost drain
- Limited food loss warranty*
- Available in white

FCM5DR (not shown)

- 5.0 cu. ft. capacity
- Power "ON" light
- One slide-out bulk storage baskets
- Adjustable temperature control
- Upfront defrost drain
- Available in white

FCM5SM (not shown)

- 5.0 cu. ft. capacity
- One lift-out and sliding bulk storage basket
- Adjustable temperature control
- Upfront defrost drain
- Available in white



FCM25RM

FCM15DP

FCM9DM

*See written warranty for complete details.

Not all features available on all models.

Complete features and specifications on page 23.

Refrigeration Specifications

Side-by-Side Refrigerators	HSM25GFR	HSS25GFP
Capacity		
Total (cu. ft.)	25.0	25.0
Fresh food (cu. ft.)	15.44	15.44
Freezer (cu. ft.)	9.56	9.56
Shelf area (sq. ft.)	22.4	22.4
Fresh Food Features		
Upfront electronic dial temperature controls	●	●
Electronic sensors	●	●
GE SmartWater™ Filter	●	●
LightTouch! dispenser	Crushed ice, Cubes, Water	Crushed ice, Cubes, Water
Light	●	●
Cabinet shelves (adjustable)	3 Glass	3 Glass
Vegetable/fruit crisper	2 Clear	2 Clear
Door shelves	4 (2 adj. with gallon storage)	4 (2 adj. with gallon storage)
Dairy compartment	Opaque	Opaque
Quiet Package	Deluxe	Deluxe
NeverClean™ condenser	●	●
Freezer Features		
FrostGuard™ technology	●	●
Factory-installed icemaker & bin	●	●
Wire cabinet shelves	3 (2 adj.)	3 (2 adj.)
Storage bin	●	●
Door shelves	5 Fixed	5 Fixed
Interior light	●	●
Appearance		
Color(s) available*	Silver Metallic	WW
Deluxe door handles	Black	Color-Matched short
Textured steel door and case	Case only	●
Adjustable rollers	Front	Front
Weights & Dimensions		
Height to top of hinge (in.) A	69-3/4	69-3/4
Height to top of case (in.) B	68-3/4	68-3/4
Case depth without door (in.) C	28	28
Case depth less door handle (in.) D	31-1/4	31-1/4
Case depth with door handle (in.) E	33-9/16	33-9/16
Depth with fresh food door open 90° (in.) F	49-3/8	49-3/8
Width (in.) G	35-3/4	35-3/4
Width w/door open 90° w/door handle (in.) H	38-3/16	38-3/16
Air clearances	Each side (in.)	1/8
	Top (in.)	1
	Back (in.)	1
Approximate shipping weight (lbs.)	344	344

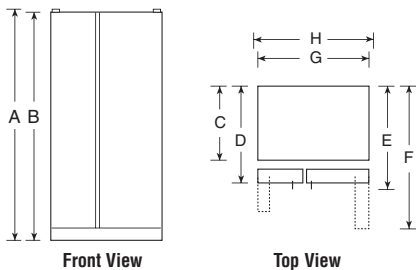
*Color(s) available: WW = White on white.
 Add 9/16" for water hook-up. Hook-up fits in 5/8" back air clearance when calculating installation depth.
 If installed against a wall, allow clearance of 12-1/8" on 25 cu. ft. models on freezer side to remove bin.
 To remove fresh food pans, remove door bins.
 Clearances required to remove fresh food full-size pan without disassembling: 15" on 25 cu. ft.
 Allow additional space for any necessary leveling adjustments.

ALL MODELS AVAILABLE IN U.S. AND CANADA.

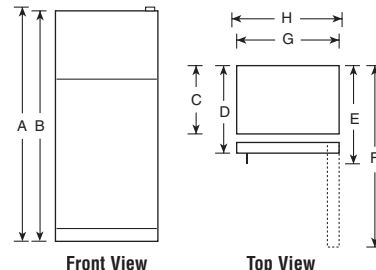
Top-Freezer Refrigerators	HTS22GBP	HTM18IBP	HTS18GBS	HTS18CCS HTS18CBS
Capacity				
Total (cu. ft.)	21.8	17.9	18.2	18.2
Fresh food (cu. ft.)	15.47	12.89	13.89	13.89
Freezer (cu. ft.)	6.37	5.03	4.27	4.27
Shelf area (sq. ft.)	24.7	22.6	21.7	18.9 / 19.8
Features				
Upfront temperature controls	Illuminated	Illuminated	●	●
Cabinet shelves (adjustable)	2 Glass	3 Glass	2 Glass	2 Wire
Vegetable/fruit crisper(s)	2 Full-Width	1 Full-width, 2 Split	2 Full-Width	2 Full-Width
Snack pan	2 Clear	2 Clear	2 Clear	2 Opaque
Fixed door bins	●	●	●	●
Fixed door shelves	2 full-width (1 with gallon storage)	2 full-width with gallon storage		
Dairy compartment	1 split with gallon storage	1 split with gallon storage	3 full-width (2 with gallon storage)	3 full-width (2 with gallon storage)
Interior light system	●	●	●	●
Quiet Package—Quiet Design	Dual	Dual	Single	Single
NeverClean condenser	Deluxe	Deluxe	Deluxe	Deluxe
ENERGY STAR®	●	●	●	●
Freezer Features				
Factory-installed icemaker	Opt. (IM4A)	Opt. (IM4A)	Opt. (IM4A)	● / Opt. (IM4A)
Ice 'N Easy trays	2	2	2	- / 2
Ice storage bin				Ice Bucket / -
Ice shelf				- / ●
Spillproof freezer floor	●	●		
Wire freezer compartment shelves	1 FW (2 pos.)	Step	Step	
Fixed door shelves	2	2	2	2
Appearance				
Color(s) available*	WW, CC	Silver Metallic	WW	WW, CC
Door handle(s)*	CM	Black	CM	CM
Customer installed handles				
Exterior design	Rounded Doors	Rounded Doors	Square Doors	Square Doors
Reversible doors	●	●	●	●
Choose right or left door opening				
Adjustable rollers	Front	Front	Front	Front
Weights & Dimensions				
Height to top of hinge (in.) A	67-1/2	66-5/8	67-3/8	67-3/8
Height to top of case (in.) B	66-7/8	66-1/8	66-7/8	66-7/8
Case depth without door (in.) C	54-1/2	53-15/16	57	57
Case depth less door handle (in.) D	27-5/8	27-1/2	26-3/4	26-3/4
Case depth with door handle (in.) E	31-5/8	30-1/4	30-1/2	30-1/2
Case depth with door handle (in.) E	33-5/8	32-1/8	32-3/8	32-3/8
Depth w/fresh food door open 90° (in.) F	63	58-1/8	56-3/8	56-3/8
Width (in.) G	32-7/8	29-1/2	28	28
Width w/door open 90° with door handle (in.) H	35	32	30-3/4	30-3/4
Air clearances	Each side (in.)	1/8	1/8	3/4
	Top (in.)	1	1	1
	Back (in.)	1	1	1
Approx. shipping weight (lbs.)	260	214	226	183/177

*Color(s) available: WW = White on white, CC = Bisque on bisque, CM = Color-Matched.
ALL MODELS AVAILABLE IN U.S. AND CANADA.

Side-By-Side Refrigerators



Top-Freezer No-Frost Refrigerator



Refrigeration Specifications

HTS18BCP HTS18BBP	HTS17HBS	HTS17GBS	HTM17BBS	HTS17BCS HTS17BBS	HTR17BBS	HTR16BBS	HTH16BBS	HTS16BBS	HTR16ABS	GTS12BBP	GTR11AAP
18.0	16.6	16.6	16.6	16.6	16.6	15.7	15.7	15.7	15.6	11.9	11.4
12.93	12.54	12.54	12.54	12.54	12.54	11.57	11.44	11.57	11.53	8.94	8.45
5.09	4.10	4.10	4.10	4.10	4.10	4.10	4.10	4.10	4.10	2.95	2.99
20.8	23.8	21.0	19.2	18.3 / 19.2	19.2	19.2	21.9	19.2	18.2	12.1	13.4
●	●	●	●	●	●	●	●	●	●	●	●
2 Wire	3 Glass	2 Glass	2 Wire	2 Wire	2 Wire	2 Wire	2 Wire	2 Wire	2 Wire	2 Wire	2 Wire
2 Full-Width 2 Opaque	1 Full-width, 2 Split 2 Clear	2 Full-Width 2 Clear	2 Full-width 2 Opaque	2 Full-Width 2 Opaque	2 Full-Width 2 Opaque	2 Full-Width 2 Opaque	2 Full-Width 2 Opaque	2 Full-Width 2 Opaque	2 Full-Width 2 Opaque	1 FW Opaque	1 FW Divided Opaq. 1 FW Opaque
	●	●									
3 (2 with gallon storage)	2 full-width with gallon storage	2 full-width with gallon storage	2 full-width with gallon storage	2 full-width with gallon storage	2 full-width with gallon storage	2 full-width with gallon storage	2 full-width with gallon storage	2 full-width with gallon storage	2 full-width with gallon storage	2 Full-Width, 1 Split	4
●	●	●	●	●	●	●	●	●	●	●	●
Single Deluxe	Single Deluxe	Single Deluxe	Single Deluxe	Single Deluxe	Single Deluxe	Single Deluxe	Single Deluxe	Single Deluxe	Single Deluxe	Single Standard	Single Standard
●	●	●	●	●	●	●	●	●	●		
● / Opt. (IM4A) — / 2	Opt. (IM4A) 2	Opt. (IM4A) 2	Opt. (IM4A) 2	● / Opt. (IM4A) — / 2	Opt. (IM4A) 2	Opt. (IM4A) 2	Opt. (IM4A) 2	Opt. (IM4A) 2	Opt. (IM4A) 1	Opt. (IM4A) 1	2
Ice Bucket / —				Ice Bucket / — — / ●	●	●	●	●			
●											
Step 2	Step 2	Step 2	2	2	2	2	2	2	2	2	1 F/W 2
WW / WW, CC CM	WW, CC CM	WW CM	Silver Metallic Black CM	WW / WW, CC CM	WW, CC CM Recessed	WW, CC CM Recessed	WW, CC CM	WW, CC CM	WW, CC CM Recessed	WW, CC CM	WW CM Recessed
●	●	●	●	●	●	●	●	●	●	●	●
Square Doors	Rounded Doors	Square Doors	Square Doors	Square Doors	Square Doors	Square Doors	Square Doors	Square Doors	Square Doors	Square Doors	Rounded Doors
●	●	●	●	●	●	●	●	●	●	●	●
●	●	●	●	●	●	●	●	●	●	●	●
Front	Front	Front	Front	Front	Front	Front	Front	Front	Front	Front	
66-5/8	64-3/4	64-3/4	64-3/4	64-3/4	64-3/4	61-3/4	61-3/4	61-3/4	61-3/4	60-1/2	57-7/8
66-1/8	64-1/4	64-1/4	64-1/4	64-1/4	64-1/4	61-1/4	61-1/4	61-1/4	61-1/4	60	57-3/8
53-15/16	54-3/8	54-3/8	54-3/8	54-3/8	54-3/8	51-3/8	51-3/8	51-3/8	51-3/8	52	50
27-1/2	25-7/8	25-7/8	25-7/8	25-7/8	25-7/8	25-7/8	25-7/8	25-7/8	25-7/8	27-3/4	28-1/4
30-1/4	29-1/8	29-1/8	29-1/8	29-1/8	29-1/8	29-1/8	29-1/8	29-1/8	29-1/8	30-5/8	30-5/8
32-1/8	31	31	31	31	29-1/8	29-1/8	31	29-1/8	29-1/8	32-3/8	30-5/8
58-1/8	54-7/8	54-7/8	54-7/8	54-7/8	54-7/8	54-7/8	54-7/8	54-7/8	54-7/8	51-5/8	52-3/4
29-1/2	28	28	28	28	28	28	28	28	28	23-3/8	23-7/8
32	30-1/2	30-1/2	30-1/2	30-1/2	28-5/8	28-5/8	30-1/2	30-1/2	28-5/8	26-1/2	25-1/8
1/8	3/4	3/4	3/4	3/4	3/4	3/4	3/4	3/4	3/4	1	1
1	1	1	1	1	1	1	1	1	1	4	4
1	1	1	1	1	1	1	1	1	1	2	3
206/204	183	183	169	175/169	169	165	166	166	163	170	163

Note: All Top-Freezer No-Frost Right-Hand Refrigerator Doors: As you face the front of the refrigerator, the handle is on your left and the hinges are on your right.

All Top-Freezer No-Frost Left-Hand Refrigerator Doors: As you face the front of the refrigerator, the handle is on your right and the hinges are on your left.

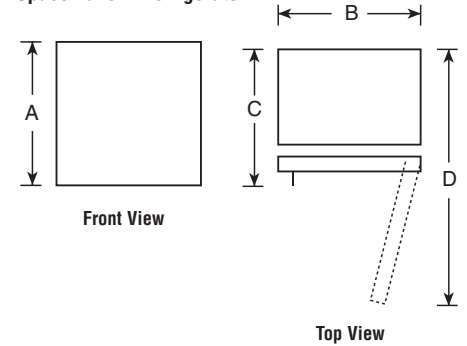


Listed by
Underwriters
Laboratories, Inc.

Refrigeration Specifications

GE Spacemaker® Compact Refrigerators	GMR06AAP	GMR04HAS	GMR04AAM	GMR02BAN
Capacity				
Total (cu. ft.)	6.0	4.3	4.4	1.7
Fresh food (cu. ft.)	5.51	3.89	3.99	1.49
Freezer (cu. ft.)	.49*	.42**	.39*	.16*
Shelf area (sq. ft.)	8.8	5.6	5.6	2.9
Features				
Ice 'N Easy trays	2 Mini	1 Mini	1 Mini	1 Mini
Manual defrost	●	●	●	●
Cabinet shelves	2 Wire (1 Adj.)	2 F/W, 1 Half-width glass	2 F/W, 1 Half-width wire	1 Wire
Can rack	●	●	●	●
Door shelves	1 F/W, 2 Half-width	1 F/W, 2 Half-width	2 F/W, 1 Half-width wire	1 F/W, 1 Half-width
Interior light	●	●	●	●
Economical/Quiet				
Cabinet/door insulation	Foam	Polystyrene	Polystyrene	Foam
Cabinet/door liner	HIPS	ABS	ABS	ABS
Appearance				
Color(s) available	White, Black	Stainless Steel	White, Black	White, Black
Door handles	White or Black Visor	Black Recessed	Color-Matched Recessed	Color-Matched Recessed
Rounded doors	●	●	●	●
Reversible doors	●	●	●	●
Weights & Dimensions				
Height (in.) A	34-1/8	32-3/4	32-7/8	19-1/2
Width (in.) B	23-5/8	20-1/2	20	17-3/8
Depth with handle (in.) C	24-1/4	21	21-3/4	19
Depth with door open 90° (in.) D	45-1/2	39-7/8	40-1/8	34-3/4
Air clearances	Each side (in.)	0†	1/2	1/2
	Top (in.)	0	2	2
	Back (in.)	0	2	2
Approx. shipping weight (lbs.)	88	79	77	51
Accessories				
Custom trim (optional)	TPK6* *-Black only			

Spacemaker™ Refrigerator



Note: Right-hand Refrigerator Door: As you face the front of the refrigerator, the handle is on your left and the hinges are on your right.

Left-hand Refrigerator Door: As you face the front of the refrigerator, the handle is on your right and the hinges are on your left.

*Compartment for short-term storage of frozen food. The frozen food compartment of this refrigerator will make ice, and pre-frozen foods can be stored for about **two weeks**. It will not effectively freeze fresh foods or provide long-term storage for meats, poultry, or fish.

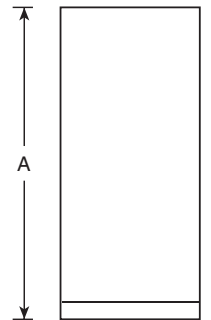
**Do not substitute TNK6 for this kit. Not compatible.

†If installed against a wall, allow 1-1/4" on hinge side to allow for proper door opening.

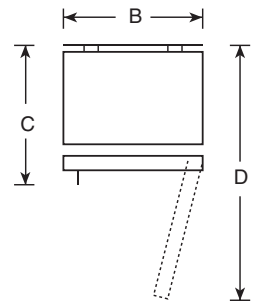
Freezer Specifications

GE Upright Freezers	Frost-Free			Manual Defrost				
	FUF20DP	FUF17DP	FUF14DP	FUM21DR	FUM17DR	FUM14DR	FUM14SR	FUM5SN
Capacity								
Total volume (cu. ft.)	20.3	16.7	13.7	20.6	17.1	14.1	14.1	5.0
Shelf area (sq. ft.)	23.9	18.4	14.3	25.3	19.2	17.9	15.0	6.0
Features								
Temperature control	Adjustable	Adjustable	Adjustable	Adjustable	Adjustable	Adjustable	Adjustable	Adjustable
Limited food loss warranty	●	●	●	●	●	●	●	●
Door shelves (total)	6	5	5	6	5	5	5	3
Defrost water drain				●	●	●	●	●
Interior light	●	●	●	●	●	●		
Lock	●	●	●	●	●	●		
Cabinet shelves (total)	5 (3 Adj.)	4 (3 Adj.)	3 (2 Adj.)	5 (1 Adj.)	4 (1 Adj.)	4 (1 Adj.)	3	2
Slide-out bulk storage basket	1	1	1	1	1	1		
Economical/Quiet								
Defrost	Frost-Free	Frost-Free	Frost-Free	Manual	Manual	Manual	Manual	Manual
Magnetic door gasket	●	●	●	●	●	●	●	●
Cabinet liner	Baked enamel-on-	Baked	Baked	Baked	Baked	Baked	Baked	Baked
Wrap-around condenser	●	●	●	●	●	●	●	●
Appearance								
Color available	White	White	White	White	White	White	White	White
Door handle	Recessed	Recessed	Recessed	Recessed	Recessed	Recessed	Recessed	Recessed
Textured steel case/door	●	●	●	●	●	●	●	●
Weights & Dimensions								
Height (in.) A	70	64-1/2	59	70	64-1/2	59	59	33-1/2
Width (in.) B	32	32	28	32	32	28	28	21-3/8
Depth (in.) C	28-1/2	26-1/2	28-1/2	28-1/2	26-1/2	28-1/2	28-1/2	26-1/8
Depth with door open 90° (in.) D	59-1/8	57-1/8	55-1/8	59-1/8	57-1/8	55-1/8	55-1/8	45-3/4
Air clearances								
Each side (in.)	3	3	3	3	3	3	3	1
Top (in.)	3	3	3	3	3	3	3	4
Back (in.)	3	3	3	3	3	3	3	4
Approx. shipping weight (lbs.)	235	213	186	224	200	177	177	80

Upright Freezers



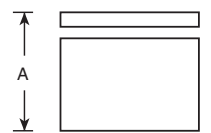
Front View



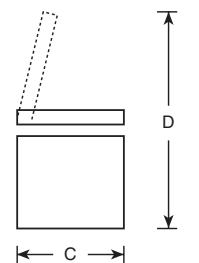
Top View

GE Upright Freezers	FCM25RM	FCM20DP	FCM15DP	FCM15SP	FCM9DM	FCM7DR	FCM5DR	FCM5SM
Capacity								
Total volume (cu. ft.)	25.1	19.7	14.8	14.8	8.8	7.0	5.0	5.0
Features								
Manual defrost	●	●	●	●	●	●	●	●
Temperature control	Adjustable	Adjustable	Adjustable	Adjustable	Adjustable	Adjustable	Adjustable	Adjustable
Power "ON" light						●	●	
Wrap-around condenser	●	●	●	●	●	●	●	●
Wrap-around evaporator	●	●	●	●	●	●	●	●
Limited food loss warranty	●	●	●	●	●	●	●	●
Defrost water drain	●	●	●	●	●	●	●	●
Interior light	●	●	●	●	●			
Lock	●	●	●		●			
Lift-out and sliding bulk storage basket(s)	4	3	2	1	2	2	1	1
Fast Freeze							●	
Economical/Quiet								
Insulation (cabinet and lid)—Foam	●	●	●	●	●	●	●	●
Cabinet liner	Steel Epoxy-Coated	Steel Epoxy-Coated	Steel Epoxy-Coated	Steel Epoxy-Coated	Steel Epoxy-Coated	Textured Aluminum	Textured Aluminum	Textured Aluminum
Appearance								
Color available	White	White	White	White	White	White	White	White
Handle	●	Recessed	Recessed	Recessed	Recessed	Recessed	Recessed	Recessed
Textured steel case and lid	●	●	●	●	●			
Weights & Dimensions								
Height (in.) A	35	35	35	35	34-1/4	31-7/8	31-7/8	33
Width (in.) B	73-7/8	61-1/4	48	48	41	37-1/4	29-3/8	29-1/8
Depth (in.) C	28-3/4	29-1/2	29-1/2	29-1/2	23-1/4	23-5/8	23-5/8	22-3/16
Height with lid open (in.) D	59-3/4	60-3/4	60-3/4	60-3/4	54-1/4	53-1/2	53-1/2	53-3/16
Air clearances								
Each side (in.)	3	3	3	3	3	3	3	3
Back (in.)	3	3	3	3	3	3	3	3
Approx. shipping weight (lbs.)	245	195	161	161	127	122	111	101

Chest Freezers



Front View



Side View

Smooth Top Ranges

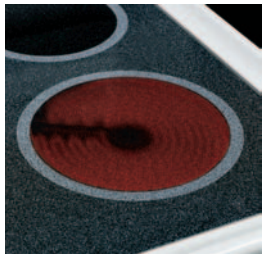
Hotpoint® free-standing smooth top ranges provide quick cooking response. The fast, ribbon heating elements are positioned beneath the smooth cooktop and direct heat straight up to the pan. This sophisticated cooking method provides even heat for uniform cooking. Electronic oven controls provide an easy, two-step self-clean oven operation.



5.0 cu. ft. capacity
Hotpoint's smooth top ranges have an oven that is big enough to handle just about any cooking need.



Two-step self-clean
Simply latch the oven door and push the "Self-Clean" button. The oven does the rest.



Ribbon heating elements
Unlike conventional elements, the heat comes from brightly glowing ribbon elements positioned beneath the smooth fingerprint- and scratch-resistant, patterned ceramic-glass surface.



Touchpad controls
Set your oven to bake, broil, or self-clean quickly and easily—with the touch of a button.



Frameless glass oven door
The full-width frameless door is easy to clean and offers contemporary styling.



Warming drawer
Provides variable temperature control for keeping foods warm.



Electronic oven controls
Easy-to-use electronic oven controls provide:

- Simple touchpad oven operation
- Auto Self-Clean
- Self-clean cycling light
- Preheated oven light with audible preheat signal
- Auto oven shut-off
- Electronic clock and timer
- Automatic oven timer
- Oven "ON" light
- Delay Bake option.



RB800SJ

Silver metallic exterior
Unique finish complements any kitchen décor, countertop and cabinetry regardless of their color or finish.

Hotpoint free-standing coil ranges are perfect solutions for today's busy schedules! Self-clean ovens save you time and effort. On ranges with one-piece, upswept cooktops, a simple wipe-up does the job. White on white models are designed to complement the elegance and efficiency of today's kitchens.



5.0 cu. ft. capacity
Hotpoint's coil ranges have an oven that is big enough to handle just about any cooking possibility.



One-piece upswept cooktop
No cracks or crevices to trap dirt! The porcelain enamel-on-steel surface wipes clean easily.



Lift-up cooktop
Cooktop lifts up to allow easy clean-up of hard-to-reach spots underneath.



Plug-in surface elements
Unplug to remove drip bowls and clean in the dishwasher. Recessed areas are designed to catch spillovers and make cleaning simple.



Two-step self-clean
Simply latch the oven door and push the "Self-Clean" button. The oven does the rest.



Frameless glass oven door
The full-width frameless door is easy to clean and offers contemporary styling.

Calrod® surface elements
The design of the removable Calrod surface elements assures fast, clean cooking and even heat distribution.

Removable full-width storage drawer
Conveniently store cooking utensils close at hand. Drawer removes easily for cleaning underneath.



Electronic oven controls
Easy-to-use electronic oven controls provide:

- Simple touchpad oven operation
- Auto Self-Clean
- Self-clean cycling light
- Preheated oven light with audible preheat signal
- Auto oven shut-off
- Electronic clock and timer
- Automatic oven timer
- Oven "ON" light
- Delay Bake option.

Not all features available on all models.

30" Electric Ranges

30" Free-Standing Electric Ranges

These models feature 5.0 cu. ft. capacity self-clean ovens; electronic clock and minute timer; two oven shelves; broiler pan; lift-off oven door; interior oven light; infinite heat controls.

RB800SJ

- Silver metallic exterior
- Ceramic glass cooktop
- Ribbon heating elements
- Super-large, self-clean oven
- Warming drawer
- Big view window
- Two oven racks
- Audible preheat signal

RB800WJ

- White on white
- Ceramic glass cooktop
- Ribbon heating elements
- Super-large, self-clean oven
- Warming drawer
- Big view window
- Two oven racks
- Audible preheat signal

RB800CJ (not shown)

- Bisque on bisque
- Same features and appearance as RB800WJ.

RB800BJ (not shown)

- Black on black
- Same features and appearance as RB800WJ.

RB790SH

- Silver metallic exterior
- Ceramic glass cooktop
- Two 8" and two 6" ribbon heating elements
- Big view window
- One-piece upswept cooktop
- EasySet III oven controls

RB790WK (not shown)

- White on white
- Same features and appearance as RB790SH.

RB790BK (not shown)

- Black on black
- Same features and appearance as RB790SH.

RB787BH

- Black on black
- Smooth, easy-to-clean fingerprint- and scratch-resistant patterned ceramic-glass cooktop
- Two 8" and two 6" ribbon heating elements
- Hot surface indicator lights
- Auto oven shut-off
- Two-step self-clean
- Single oven control knob
- Frameless glass oven door with window
- Designer-style handle

RB787WH

- White on white
- Same features and appearance as RB787BH.

RB787CH (not shown)

- Bisque on bisque
- Same features and appearance as RB787BH.



RB800SJ
Ribbon Range



RB800WJ
Ribbon Range



RB790SH
Ribbon Range



RB787BH
Ribbon Range



RB787WH
Ribbon Range

Complete features and specifications on page 32.

30" Electric Ranges

30" Free-Standing Electric Ranges

These models feature 5.0 cu. ft. capacity self-clean ovens; electronic clock and minute timer; two oven shelves; broiler pan; lift-off oven door; interior oven light; infinite heat controls; removable, full-width storage drawer.

RB757WH

- White on white
- Porcelain-enameled upswept cooktop
- Auto oven shut-off
- Two-step self-clean
- Two 8" and two 6" plug-in Calrod® heating elements with removable one-piece chrome drip bowls
- Lift-up cooktop
- Frameless glass oven door with window
- Designer-style handle

RB757CH (not shown)

- Bisque on bisque
- Same features and appearance as RB757WH.

RB757EH

- Black on black
- Same features and appearance as RB757WH.

RB757BH

- White or Bisque
- Same features and appearance as RB757WH, except has black door and control panel.



RB757WH
Self-Clean Oven



RB757EH
Self-Clean Oven



Electronic oven controls

Easy-to-use electronic oven controls provide:

- Simple touch pad oven operation
- Auto Self-Clean
- Self-clean cycling light
- Preheated oven light with audible preheat signal
- Auto oven shut-off
- Electronic clock and timer
- Automatic oven timer
- Oven "ON" light
- Delay Bake option.



RB757BH
Self-Clean Oven

30" Electric Ranges

30" Free-Standing Electric Ranges

These models feature standard-clean ovens, easy-to-clean, upswept, porcelain-enameled cooktop; 5.0 cu. ft. capacity; two oven shelves; plug-in Calrod® heating elements; one-piece removable drip bowls; full-width removable storage drawer and broiler pan with grid.

RB540SH

- Silver metallic exterior
- Two 8" and two 6" plug-in Calrod® heating elements
- Big view window
- Porcelain-enameled upswept cooktop
- Black drip bowls

RB536WH

- White on white
- Electronic clock/timer
- Lift-up cooktop
- Two 8" and two 6" plug-in heating elements
- Frameless glass oven door with window
- Designer-style handle

RB526H

- White on white or Bisque on bisque
- Two 8" and two 6" plug-in heating elements
- Color-matched oven door with window
- Designer-style handle
- Electronic clock/timer

RB525BH

- White or Bisque
- One 8" and three 6" plug-in heating elements
- Frameless solid black glass oven door
- Chrome visor door handle

RB525H (not shown)

- White or Bisque
- Same features and appearance as RB525BH, except has color-matched painted oven door.



RB540SH



RB536WH

Electric Ranges

24" Compact Electric Range



RB526H



RA524W

RA524W

- White
- Standard-clean oven
- One 8" and three 6" plug-in heating elements with chrome drip bowls
- Push-to-turn controls
- Lift-up cooktop with porcelain-enameled subtop
- Two heating element "ON" indicator lights
- 2 oven shelves
- Oven cycling light
- Broiler pan with grid

20" Compact Electric Range



RB525BH



RA520W

RA520W

- White or Bisque
- Standard-clean oven
- One 8" and three 6" plug-in heating elements with chrome drip bowls
- Lift-up cooktop with porcelain-enameled subtop
- Two heating element "ON" indicator lights
- 2 oven shelves
- Oven cycling light
- Broiler pan with grid

Electric Range Specifications

30" electric ranges	RB800SJ RB800WJ RB800CJ RB800BJ	RB790SH RB790WK RB790BK	RB787WH RB787CH RB787BH	RB757WH RB757CH RB757EH RB757BH	RB540SH	RB536WH	RB526H	RB525BH	RB525H
Features									
Self-clean oven	●	●	●	●					
Oven capacity	5.0	5.0	5.0	5.0	5.0	5.0	5.0	5.0	5.0
Cleaning time	Variable	Variable	Variable	Variable					
Standard-clean oven					●	●	●	●	●
Oven shelves	2	2	2	2	2	2	2	2	2
Porcelain-enameled upswept cooktop	Radiant	Radiant	Radiant	Coil	Coil	Coil	Coil	Coil	Coil
Patterned cooktop	●	●	●						
Lift-up cooktop				●	●	●	●	●	●
8-inch heating elements	2 (2000W)	2 (2000W)	2 (2000W)	2	2	2	2	1	1
6-inch heating elements	2 (1500W)	2 (1500W)	2 (1500W)	2	2	2	2	3	3
Ribbon heating elements	●	●	●						
Plug-in Calrod® heating elements					●	●	●	●	●
Removable one-piece drip bowls				Chrome	Black	Chrome	Chrome	Chrome	Chrome
Electronic oven control	Easy Set III	Easy Set III	Easy Set III	Easy Set III					
Electronic clock and minute timer	●	●	●	●	●	●	●		
Electronic automatic oven timer	●	●	●	●					
Oven temperature display	●	●	●	●					
Auto oven shut-off	w/override	w/override	w/override	w/override					
Audible preheat signal	●	●	●	●					
Hot surface indicator lights	●	●	●	●					
Heating element "ON" indicator lights	●	●	●	●	●	●	●	●	●
Oven cycling light	●	●	●	●	●	●	●	●	●
Interior oven light	Control	Control	Control	Control	Switch	Switch	Switch		
Self-clean cool down time display	●	●	●	●					
Auto self-clean	●	●	●	●					
Delay Clean option	●	●	●	●					
Delay start	●	●	●	●					
Broiler pan	●	●	●	●	●	●	●	●	●
Warming drawer with handle	●								
Appearance									
Color appearance*	SA WW CC BB	SA WW BB	WW CC BB	WW CC BB WH/CT	SA	WW	WW/CC	WH/CT	WH/CT
Oven door with window	Big view	Big view	●	●	Big view	●	●		
Door handle	Designer-Style	Designer-Style	Designer-Style	Designer-Style	Designer-Style	Designer-Style	Designer-Style	Visor	Visor
Lift-off oven door	Silver Metallic White Bisque Black	Silver Metallic White Glass Black Glass	White Glass Bisque Glass Black Glass	White Glass Bisque Glass Black Glass	Silver Metallic	White Glass	CM*	Black Glass	CM*
Full-width removable storage drawer	●	●	●	●	●	●	●	●	●
Weights and Dimensions									
Overall oven interior dimensions (W x H x D in inches)	← 23-3/4 x 19 x 18-1/2 →								
KW rating @ 240V	10.5	10.5	10.5	11.7	12.6	12.6	11.0	10.1	10.1
@ 208V	7.9	7.9	7.9	8.8	9.9	9.9	8.7	8.0	8.0
Amp rating @ 240v/208v	40	40	40	40	40	40	40	40	40
Approx. shipping weight (lbs.)	166	166	166	155	158	158	150	150	155

*SA=Silver Metallic, WW=White with white door, CC=Bisque with bisque door, BB=Black with black door, WH=White with black door, CT=Bisque with black door, CM=Oven door is color-matched to cooktop and drawer front (either White or Bisque).

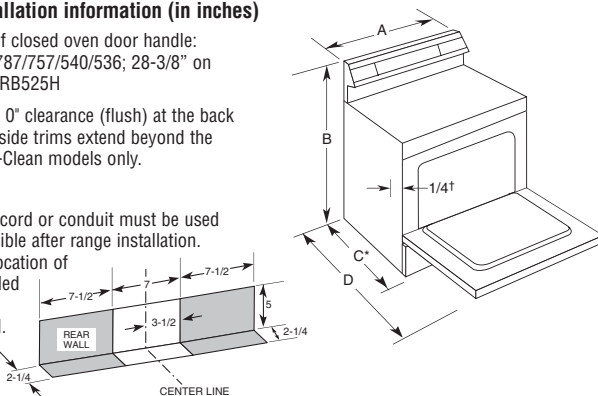
30" free-standing range installation information (in inches)

*Dimensions from wall to front of closed oven door handle:
28-1/2" on models RB800/790/787/757/540/536; 28-3/8" on RB526H and RB525BH; 28" on RB525H

†The range may be placed with a 0" clearance (flush) at the back wall and side walls if the range side trims extend beyond the cabinet fronts at least 1/4". Self-Clean models only.

Receptacle locations

Locally approved flexible service cord or conduit must be used because terminals are not accessible after range installation. See shaded area in drawing for location of electrical outlet box. Recommended outlet locations allow range to be installed directly against rear wall.



All Hotpoint ranges are equipped with an Anti-Tip device. The installation of this device is an important, required step in the installation of the range.

See page 75 for warranty information.

30" electric range dimensions (in inches)

Models	A Width	B Height	C* Depth	D Depth with door open
RB800SJ/WJ/CJ/BJ	29-7/8	46-1/2	26-3/8	46-3/8
RB790SH	29-7/8	46-1/2	26-3/8	46-3/8
RB787WH/CH/BH	29-7/8	46-1/2	26-3/8	46-3/8
RB757WH/EH/CH/BH	29-7/8	46-1/2	26-3/8	46-3/8
RB540SH	29-7/8	46-1/2	26-3/8	46-3/8
RB536WH/CH	29-7/8	46-1/2	26-3/8	46-3/8
RB526H	29-7/8	46-1/2	26-3/8	46-3/8
RB525BH	29-7/8	46-1/2	26-3/8	46-3/8
RB525H	29-7/8	46-1/2	26-3/8	46-3/8

*Dimensions from wall to front of closed oven door.

Note: 30" Electric Ranges conform to U.L. requirements for 0" spacing from walls below countertops. Allow 1-1/2" spacing from the side of the range to adjacent vertical walls above the cooktop surface.

Installation information: Before installing, consult installation instructions packed with product for current dimensional data.

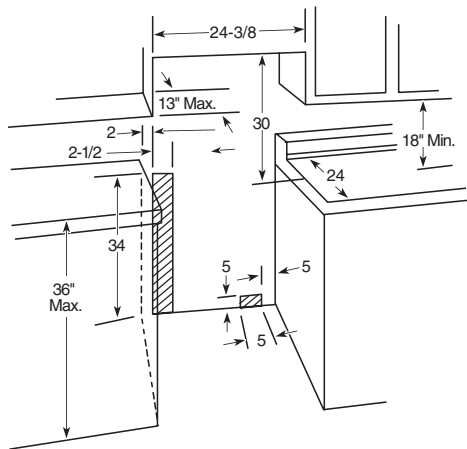
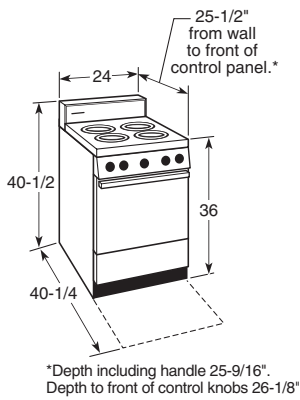
FULL ONE-YEAR WARRANTY One year from date of original purchase, we will provide free of charge, parts and service labor in your home to repair or replace any part of the appliance that fails because of a manufacturing defect. Complete details from your dealer.

Electric Range Specifications

24" and 20" electric ranges	24" range RA524W	20" range RA520W
Features		
Oven cleaning	Standard	Standard
Oven shelves	2	2
Recessed lift-up cooktop	●	●
Porcelain-enameled subtop	●	●
8-inch heating elements	1 Plug-in	1 Plug-in
6-inch heating elements	3 Plug-in	3 Plug-in
Removable drip bowls	Chrome	Chrome
Push-to-turn controls	●	●
Heating element "ON" indicator light	2	2
Oven cycling light	●	●
Broiler pan with grid	●	●
Appearance		
Color appearance*	WH	WH/CT
Porcelain-enameled oven door	Solid CM*	Solid CM*
Four leveling legs	●	●
Weights and Dimensions		
Overall oven interior dimensions (W x H x D in inches)	19 x 14 x 19	16 x 15 x 19
KW rating @ 240V	8.2	8.2
@ 208V	6.2	6.2
Approx. ship. wt. (lbs.)	145	120

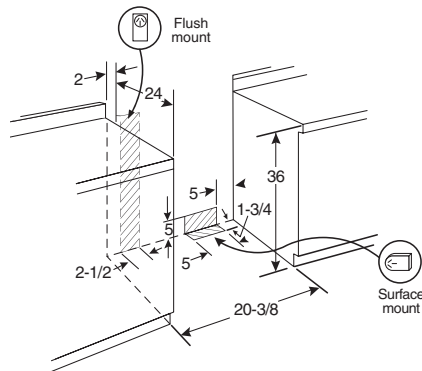
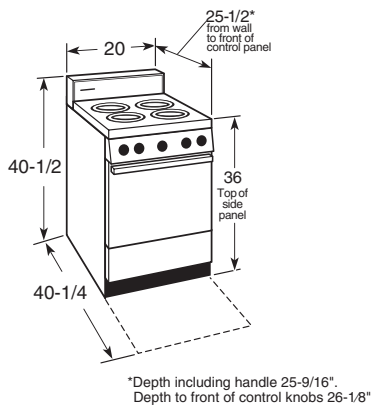
*WH=White with color-matched door, CT=Bisque with color-matched door, CM=Oven door is color-matched to cooktop and drawer front.

24" free-standing range dimensions and installation information (in inches)



Note: 24" Ranges conform to U.L. requirements for 0" spacing from range to adjacent walls below countertop.

20" free-standing range dimensions and installation information (in inches)



Note: Compact 20" Electric Ranges conform to U.L. requirements for 0" spacing from range to adjacent walls below countertop.

Receptacle locations

Locally approved flexible service cord or conduit must be used because terminals are not accessible after range installation. See shaded area in drawings for location of electrical outlet box. Recommended outlet locations allow range to be installed directly against rear wall.

Installation information: Before installing, consult installation instructions packed with product for current dimensional data.



Listed by
Underwriters
Laboratories



All Hotpoint ranges are equipped with an Anti-Tip device. The installation of this device is an important, required step in the installation of the range.

Gas Ranges

Hotpoint Capacity Plus™ gas ranges feature an extra-large oven capacity and are available in self-clean or standard-clean ovens. Select models feature sealed burners that provide both simmer capability and high output, an extra-large broiler pan and grid, six embossed rack positions and porcelain-enamelled upswept cooktop.



Sealed gas burners

Special burner design helps contain spills and boiling-over liquids from dripping beneath cooktop for easy clean-up.



Simmer 600 burner

Offers true simmer capability with a low (600 BTU) setting. Provides low, even heat distribution for delicate foods and sauces.



EasySet clock and oven timer

Easy-to-use electronic touch pad controls and delayed baking function make cooking simple.



Performance Plus burner

Provides high output (12,000 BTU) for faster boiling and to heat foods quickly.



RGB790SEH

Silver metallic exterior

Unique finish complements any kitchen décor, countertop and cabinetry regardless of their color or finish.



Lift-up cooktop with easy-clean subtop

Standard burner models have a cooktop that lifts up for easy access to porcelain-enamelled subtop. Twin rod supports allow cooktop to lift and lock into place. Free from pipes or wires that interfere with clean-up.



Capacity Plus™ gas ranges

Extra-large capacity with a sixth embossed rack position increases cooking flexibility.



One-piece upswept cooktop

Free from cracks or crevices that trap dirt. The porcelain enamel-on-steel surface wipes clean easily.

Not all features available on all models.

CAPACITY PLUS™ 30" Free-Standing Gas Ranges

These models feature more usable oven capacity than any other leading manufacturers' brand; a sixth embossed rack position; extra-large broiler pan; porcelain-enameled upswept cooktop; interior oven light and electronic pilotless ignition.

RGB790SEH

(shown at left)

- Silver metallic exterior
- Extra-large, self-clean oven
- Sealed cooktop burners
- Simmer 600 burner
- Performance Plus burner
- All purpose burners

RGB745WEH

- White on white
- Extra-large, self-clean oven
- Sealed cooktop burners
- Simmer 600 burner
- Performance Plus burner
- Heavy-steel grates
- In-oven broiling
- Frameless white glass oven door with window
- EasySet IV clock and oven timer
- Removable grey porcelain-enameled drip pans
- Removable storage drawer

RGB745EEH (not shown)

- Black on black
- Same features and appearance as RGB745WEH.

RGB745BEH

- White or Bisque
- Same features as RGB745WEH, except has black control panel and black glass oven door.

RGB740BEH

- White or Bisque
- Similar to RGB745, except no oven window.

RGB540SEH

- Silver metallic exterior
- Extra-large, standard-clean oven
- Sealed cooktop burners
- Simmer 600 burner
- Performance Plus burner
- All purpose burners



RGB745WEH
CAPACITY PLUS™

RGB745BEH
CAPACITY PLUS™



RGB740BEH
CAPACITY PLUS™



RGB540SEH
CAPACITY PLUS™

Complete features and specifications on page 38.

30" Gas Ranges

CAPACITY PLUS™ 30" Free-Standing Gas Ranges

These models feature an extra-large standard oven; six embossed rack positions; twin cooktop burners and lift-up cooktop.

RGB533WEH

- White on white
- Extra-large standard-clean oven
- Sealed cooktop burners
- Simmer 600 burner
- Performance Plus burner
- Frameless glass oven door with window
- Electronic clock/timer

RGB533CEH (not shown)

- Bisque on bisque
- Same features and appearance as RGB533WEH

RGB528PEH

- White on white
- Extra-large standard-clean oven
- White porcelain-enameled oven door with window
- Electronic clock/timer
- Twin cooktop burners
- Lift-up cooktop

RGB524PEH

- White or Bisque
- Extra-large standard-clean oven
- Solid color-matched porcelain-enameled oven door
- Slide-out broiler drawer
- Electronic pilotless ignition

RGB524PPH

- White or Bisque
- Same features as RGB524PEH, except with standing pilot ignition system.

RGB508PEH

- White or Bisque
- Extra-large standard-clean oven
- Solid color-matched porcelain-enameled oven door
- Drop-down broiler door
- Electronic pilotless ignition

RGB508PPH

- White or Bisque
- Same features as RGB508PEH, except with standing pilot ignition system.



RGB533WEH
CAPACITY PLUS™



RGB528PEH
CAPACITY PLUS™

24" Compact Gas Ranges



RGB524PEH/PPH
CAPACITY PLUS™



RGA524EW/PW

RGA524EW

- White
- Standard-clean oven
- Electronic pilotless ignition
- Porcelain-enameled oven door
- Recessed, lift-up cooktop
- Round burner grates
- Push-to-turn controls
- 2 oven shelves
- Broiler drawer
- Broiler pan with grid

RGA524PW

- White
- Same features as RGA524EW, except with standing-pilot ignition system.

20" Compact Gas Ranges



RGB508PEH/PPH
CAPACITY PLUS™



RGA520EW/PW

RGA520EW

- White
- Standard-clean oven
- Electronic pilotless ignition
- Porcelain-enameled oven door
- Recessed, lift-up cooktop
- Round burner grates
- Push-to-turn controls
- 2 oven shelves
- Broiler drawer
- Broiler pan with grid

RGA520PW

- White
- Same features as RGA520EW, except with standing-pilot ignition system.

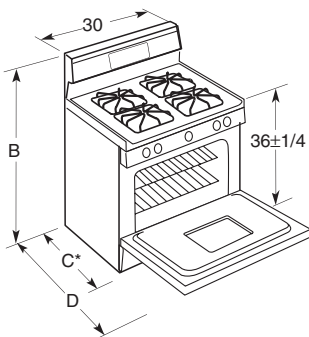
Gas Range Specifications

30" CAPACITY PLUS™ Gas Ranges	RGB790SEH	RGB745WEH RGB745EEH RGB745BEH	RGB740BEH	RGB540SEH	RGB533WEH RGB533CEH	RGB528PEH	RGB524PEH RGB524PPH	RGB508PEH RGB508PPH
Features								
Extra-large oven	Self-Clean	Self-Clean	Self-Clean	Standard-Clean	Standard-Clean	Standard-Clean	Standard-Clean	Standard-Clean
Cooktop burners	Sealed	Sealed	Sealed	Sealed	Sealed	Twin	Twin	Twin
Performance Plus burner (Nat.)	(1) 12,000/1,000 BTU	(1) 12,000/1,000 BTU	(1) 12,000/1,000 BTU	(1) 12,000/1,000 BTU	(1) 12,000/1,000 BTU			
Simmer 600 burner (Nat.)	(1) 5,000/600 BTU	(1) 5,000/600 BTU	(1) 5,000/600 BTU	(1) 5,000/600 BTU	(1) 5,000/600 BTU			
All purpose sealed burners (Nat.)	(2) 9,500/850 BTU	(2) 9,500/850 BTU	(2) 9,500/850 BTU	(2) 9,500/850 BTU	(2) 9,500/850 BTU			
Oven controls	EasySet IV	EasySet IV	EasySet IV	Electronic Clock/Timer	Electronic Clock/Timer	Electronic Clock/Timer	Knob	Knob
Automatic oven timer	Electronic	Electronic	Electronic					
Porcelain-enameled cooktop	Upswept	Upswept	Upswept	Upswept	Upswept	Upswept	●	●
Lift-up cooktop				●			●	●
Easy-clean subtop				●			●	●
Valves (degree of turn)	270°	270°	270°	270°	270°	140°	140°	140°
Removable drip pans	Black Porc.-Enam.	Grey Porc.-Enam. Black Porc.-Enam.	Black Porc.-Enam.	Opt. Access.	Opt. Access.	Opt. Access.	Opt. Access.	Opt. Access.
Removable square grates	Black Heavy-steel	Grey Heavy-steel Black Heavy-steel	Black Heavy-steel	Black	Grey Taupe	Grey	Black	Black
Ignition system	Electronic	Electronic	Electronic	Electronic	Electronic	Electronic	Electronic Pilot	Electronic Pilot
Oven shelves	2	2	2	2	2	2	2	2
Six embossed rack positions	●	●	●	●	●	●	●	●
Interior oven light	●	●	●	●	●	●		
In-oven broiling	●	●	●					
Slide-out broiler drawer				●	●	●	●	Drop down door
Removable storage drawer	●	●	●					
Appearance								
Color appearance*	Silver Metallic	WW BB WH/CT	WH/CT	Silver Metallic	WW CC	WW	WH/CT WH/CT	WH/CT WH/CT
Frameless oven door	Silver Metallic	White Glass Black Glass	Black Glass	Silver Metallic	White Glass Bisque Glass	White Porc.-Enam.	Solid CM Porc.-Enam.	Solid CM Porc.-Enam.
Oven door with window	Big view	●		Big view	●	●		
Handle style	Designer-Style	Designer-Style	Designer-Style	Designer-Style	Designer-Style	Visor	Visor	Visor
Removable oven door	●	●	●	●	●	●	●	●
Weights and Dimensions								
Overall oven interior dimensions (WxHxD in inches)	← 24x18.5x19 →							
Approx. shipping weight (lbs.)	210	210	210	185	185	165	147	166
Power/Ratings								
Gas range electrical rating†	← 120V, 60 Hz, 5A →							
Top burners†† (000's BTU) NAT/LP	← (1)-12.0/11.0 (1)-5.0/5.0 (2)-9.5/9.5 →				← 9.1/8.0 →			
Oven/broiler burners†† (000's BTU)	← 16.0/16.0 - Oven 12.5/12.0 - Broil →			← 18.0/16.5 →				
Accessories								
LP conversion kit	●	●	●	●	●	●	●	●

*WW=White with white door, CC=Bisque with bisque door, WH=White with black door, CT=Bisque with black door, CM=Indicates color of oven door matches range cooktop (either White or Bisque).

†Electrical rating not applicable to standing pilot models RGB524PPH/RGB508PPH

††Factory set for natural gas.

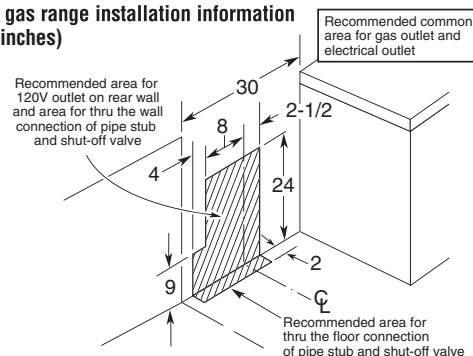


30" gas range dimensions (in inches)

Models	B Height	C* Depth	D Depth with door open
RGB790SEH	46-1/2	26-1/4	46-3/8
RGB745WEH/EEH/BEH	46-1/2	26-1/4	46-3/8
RGB740BEH	46-1/2	26-1/4	46-3/8
RGB540SEH	46-1/2	26-1/4	46-3/8
RGB533WEH/CEH	46-1/2	26-1/4	46-3/8
RGB528PEH	46-1/2	26-1/2	46-3/8
RGB524PEH/PPH	44	26-1/2	46-3/8
RGB508PEH/PPH	39-7/8	26-1/2	46-3/8

*Depth from wall to front of closed oven door.

30" gas range installation information (in inches)



All Hotpoint ranges are equipped with an Anti-Tip device. The installation of this device is an important, required step in the installation of the range.



Optional gas range accessory drip pans

(Available at additional cost)

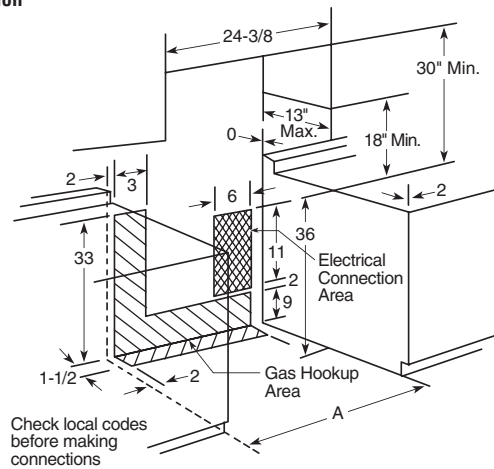
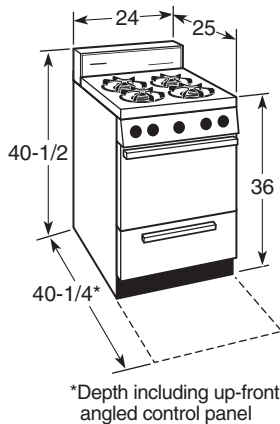
To order these accessory drip pans, call toll-free 800-626-2002.

Installation information: Before installing, consult installation instructions packed with product for current dimensional data.

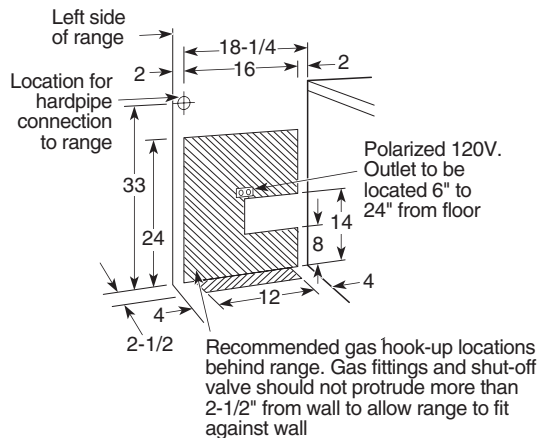
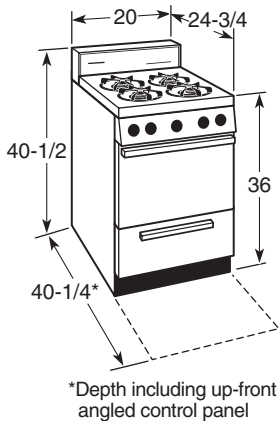
24" and 20" Gas Ranges	24" range RGA524EW/PW	20" range RGA520EW/PW
Features		
Oven cleaning	Standard	Standard
Oven shelves	2	2
Recessed lift-up cooktop	●	●
Porcelain-enameled subtop	●	●
Round grates	●	●
Ignition system	Electronic/Pilot	Electronic/Pilot
Push-to-turn controls	●	●
Broiler pan with grid	●	●
Separate broiler drawer (with tip down door)	●	●
Appearance		
Color appearance*	WH	WH
Porcelain-enameled oven door	Solid color-matched	Solid color-matched
Removable oven door	●	●
Four leveling legs	●	●
Weights and Dimensions		
Overall oven interior dimensions (WxHxD in inches)	19 x 14 x 19	14-7/8 x 16 x 19-1/2
Burner BTU:		
Top (Nat/LP)	9,000/8,000	9,000/8,000
Oven (Nat/LP)	18,000/18,000	18,000/18,000
Gas range electrical rating**	120V, 60 Hz, 5A	120V, 60 Hz, 5A
Approx. ship. wt. (lbs.)	140	124

*WH=White with color-matched door
 Factory set for natural gas. Can be converted to LP by a qualified technician.
 **Electrical rating not applicable to standing pilot model RGA624PF and RGA620PF.

24" gas range dimensions and installation information (in inches)



20" gas range dimensions and installation information (in inches)



All Hotpoint ranges are equipped with an Anti-Tip device. The installation of this device is an important, required step in the installation of the range.



Installation information: Before installing, consult installation instructions packed with product for current dimensional data.

See page 75 for warranty information.

Hoods

Hotpoint Standard Hoods



RN328H

- RN328H**
- 30" width
 - Silver metallic exterior
 - Non-vented
 - Variable two-speed fan control
 - Cooktop light
 - Removable grease filter

- JV666H**
- 36" width
 - Stainless steel
 - Four-speed fan control
 - Two halogen cooktop lights (50 watts each)
 - Night-light setting
 - Vertical (round 410 CFM, rectangular 380 CFM) or rear (390 CFM) exhaust
 - 3-1/4" x 10" rectangular duct (convertible to 7" round duct)

- JV665H** (not shown)
- Same features and appearance as JV666H except available in White on white, Bisque on bisque or Black on black.

- JV635H**
- 30" width
 - Black on black (shown), Bisque on bisque or White on white
 - Four-speed fan control
 - Two halogen cooktop lights (50 watts each)
 - Night-light setting
 - Vertical (round 410 CFM, rectangular (380 CFM) or rear (390 CFM) exhaust

- JV636H** (not shown)
- Same features and appearance as JV635H except Stainless steel.

- JV565H**
- 36" width
 - White on white (shown), Bisque on bisque or Black on black
 - Two-speed fan control
 - Vertical (round 250 CFM, rectangular 240 CFM) or rear (240 CFM) exhaust
 - Two halogen cooktop lights (50 watts each)
 - Convertible exhaust options (7" round, rectangular or non-vented)
 - Rectangular damper included

- JV566H** (not shown)
- 36" width
 - Same features and appearance as JV565H except Stainless steel

- JV535H** (not shown)
- 30" width.
 - Same features and appearance as JV565H except available in White on white, Bisque on bisque, or Black on black

- JV536H** (not shown)
- 30" width
 - Stainless steel

- JV367H**
- 36" width
 - White on white (shown), Bisque on bisque or Black on black
 - Rotary control
 - Three-speed fan
 - Convertible exhaust (shipped in non-vented configuration, convertible to 7" round or rectangular exhaust)
 - Rectangular damper included

- JV347H** (not shown)
- 30" width
 - White on white, Bisque on bisque or Black on black

- JV338H**
- 30" width
 - White on white, Bisque on bisque or Black on black
 - Round and rectangular ducting
 - Rectangular damper included
 - Variable two-speed fan control
 - Cooktop light

- JN327H** (not shown)
- 30" width
 - White on white, Bisque on bisque or Black on black
 - Non-vented
 - Variable two-speed fan control
 - Cooktop light

JXDA22 round damper accessory, available at additional cost (Models JV666/665/636/635/566/565/536/535/367/347/338).

JXHC1 cord kit allows a receptacle in the cabinet over the range to accommodate either an over-the-range microwave oven or a standard hood.

Light bulbs not included

GE Profile™—High-Performance Hoods

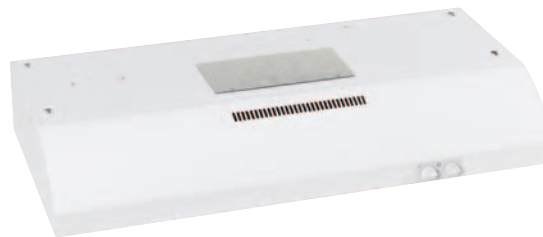


JV666H



JV635H

GE Deluxe Hoods



JV367H

GE Profile—Performance Hoods



JV565H

GE Standard Hoods



JV338H

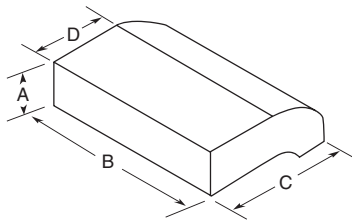
Hood Specifications

	Width	Hotpoint	GE Profile				GE				
		Standard	High-Performance		Performance		Deluxe	Standard			
Hoods	30"	RN328H			JV636H	JV635H	JV536H	JV535H	JV347H	JV338H	JN327H
	36"		JV666H	JV665H			JV566H	JV565H	JV367H		
Features											
Two-speed fan control		•					•	•		•	•
Three-speed fan control									•		
Four-speed fan control			•	•	•	•					
Damper included (rectangular)			•	•	•	•				•	
Optional damper accessory (round)	JXDA22		JXDA22	JXDA22	JXDA22	JXDA22	JXDA22	JXDA22	JXDA22		
CFM/Sone rating:											
Back rectangular			390/7.5	390/7.5	390/7.5	390/7.5	240/4.5	240/4.5	180/7.0	160/7.0	
Top round			410/7.0	410/7.0	410/7.0	410/7.0	250/4.5	250/4.5	200/6.0	170/5.5	
Top rectangular			380/7.5	380/7.5	380/7.5	380/7.5	240/5.0	240/5.0	200/6.0	170/5.5	
Removable grease filters	Disposable 1-Pc. Filter†††		2†	2†	2†	2†	2††	2††	Disposable 1-Pc. Filter†††	1†††	Disposable 1-Pc. Filter†††
Filter size (sq. in.)	90		207	207	171	171	171/207	171/207	90	90	90
Cooktop light(s)*	1		2 Halogen (50 watt)	2 Halogen (50 watt)	2 Halogen (50 watt)	2 Halogen (50 watt)	2 Halogen (50 watt)	2 Halogen (50 watt)	1	1	1
Night light position on light switch	•		•	•	•	•	•	•			
3-1/4" x 10" rectangular duct			•	•	•	•	•	•	•	•	
7" round duct			•	•	•	•	•	•	•	•	
Non-vented		•									•
Appearance											
Color appearance**	Silver Metallic		SS	WW/CC/BB	SS	WW/CC/BB	SS	WW/CC/BB	WW/CC/BB	WW/CC/BB	WW/CC/BB
Weights & Dimensions											
Approx. shipping weight (lbs.)	19		35	35	30	30	30	30	20	17	19
Power/Ratings											
Current rating amps @ 120V	2.5		2.5	2.5	2.5	2.5	1.4	1.4	2.5	2.5	2.5

*Light bulbs not furnished.
 **SS = Stainless steel, WW = White on white, CC = Bisque on bisque, BB = Black on black.
 †WB02X11011 (30") or WB02X11012 (36") removable charcoal filter is available for additional cost. (Models JV666, 665, 636, 635).
 ††WB02X10707 (30") or WB02X10708 (36") removable charcoal filter is available for additional cost. (Models JV566, 565, 536, 535).
 †††WB2X8391 replacement grease filter and WB02X10700 replacement charcoal filter are available for additional cost. (Models JV367/347/338, JN327 and RN328).
 Call toll-free 800.626.2002

Dimensions (in inches)

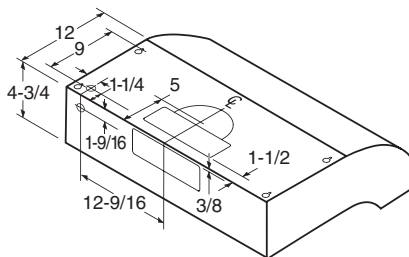
Model	A	B	C	D
RN328	5-1/2	29-7/8	17-1/2	12
JV666/JV665	4-3/4	35-7/8	20	12
JV636/JV635	4-3/4	29-7/8	20	12
JV536/JV535	4-3/4	29-7/8	20	12
JV566/JV565	4-3/4	35-7/8	20	12
JN327	5-1/2	29-7/8	17-1/2	12
JV338	5-1/2	29-7/8	17-1/2	12
JV347	5-1/2	29-7/8	17-1/2	12
JV367	5-1/2	35-7/8	17-1/2	12



Hood Dimensions (in inches)

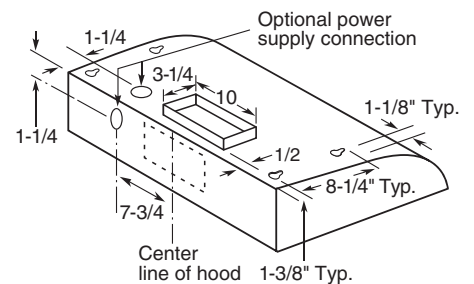
1 Models JV666H, JV665H, JV636H, JV635H, JV536H, JV535H, JV566H and JV565H

Exhaust outlet connects to 3-1/4" x 10" duct (vertically or horizontally) and 7" round (vertically). Includes rectangular damper and 7" round damper adapter. Round damper accessory, JXDA22 available at additional cost.



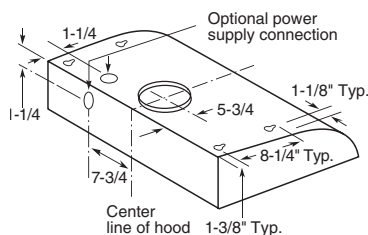
2 Models JV367H* JV347H and JV338H

*JV367H, JV347H and JV338H—Refer to this drawing for rectangular exhaust option. Refer to drawing 3 for round exhaust option. Exhaust outlet connects to 3-1/4" x 10" rectangular duct. Vent top or rear. Includes rectangular damper.

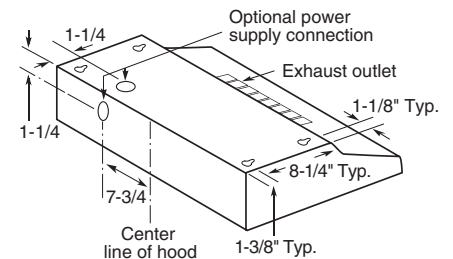


3 Models JV367H, JV347H and JV338H*

*JV367H, JV347H and JV338H—Refer to this drawing for round exhaust option. Refer to drawing 2 for rectangular exhaust option. Exhaust outlet connects to 7" diameter duct. Vent top only. Round damper accessory, JXDA22, available at additional cost.



4 Model JN327H and RN328H



Installation Information: Before installing, consult installation instructions packed with product for current dimensional data.

See page 75 for warranty information.

Counter Saver Plus™ Microwave Ovens

Installed over your range, a Counter Saver Plus microwave oven keeps your counter clear, while keeping up with the demands of your busy lifestyle. It has all the convenience features you need to quickly heat, reheat and defrost everyday foods, along with a built-in venting system, high-capacity exhaust fan and full-view cooktop lighting.



Auto Defrost

Automatically sets defrosting time and power level for fast defrosting.



Reheat

Offers the flexibility of automatically reheating a variety of popular foods.



RVM1635SK

- 1.6 cu. ft. cavity
- 1000 watts*
- Silver metallic

RVM1635WK

- White on white (not shown)

RVM1635BK

- Black on black (not shown)



Popcorn

Maximizes popping without scorching pre-packaged popcorn.



Turntable

Continually rotates food to ensure even cooking.



RVM1435WK

- 1.4 cu. ft. cavity
- 950 watts*
- White on white

RVM1435BK

- Black on black (not shown)



Microwave Oven with Convenience Cooking

Countertop Microwave Oven

REM25SJ

- Silver metallic exterior
- 1.0 cu. ft. capacity—800 watts*
- Convenience cooking controls
- Auto and Time Defrost
- Optional hanging kit included
- Child lock out
- Add 30 seconds



*IEC-705 Test Procedure

Not all features available on all models.
Complete features and specifications on page 44.

GE® Microwave Ovens with Convenience Cooking

These models feature Convenience cooking controls; Turntable; Auto/Time Defrost; Electronic touch controls; Electronic digital display with clock; Express Cook; Child lockout; Optional undercabinet mounting kit†



Model shown with trim kit**

GE Spacemaker II™ Oven

JEM25WF

- White on white
- Mid-size 1.0 cu. ft. cavity
- 800 watts*
- Turntable on/off
- Optional trim kit**

JEM25BF Black on black (not shown)



GE Convenience Oven

JE740WK

- White on white
- Compact .7 cu. ft. cavity
- 700 watts*
- Optional trim kit**

JE740BK Black on black (not shown)



*IEC-705 Test Procedure

**Optional trim kit—Custom Trim Kits available in both 27" and 30" configurations at an additional cost.

†Optional undercabinet mounting kit available at an additional cost.

Complete features and specifications on page 45.

GE Microwave Oven Trim and Hanging Kits



Built-In Trim Kit for 1.0 cu. ft. Microwave Ovens

For a custom built-in appearance, this kit allows built-in installation of the Spacemaker® II microwave oven into a wall or cabinet alone.

Trim Kits for Model JEM25

JX827WN—White
JX827BN—Black



Hanging Kit for .7 and 1.0 cu. ft. Microwave Ovens

This hanging kit allows installation under a cabinet, freeing up valuable counter space. A mounting template provides all the necessary measurements for installation on practically any wood or metal cabinet.

Hanging Kit for Models JE740, JEM25, REM25
Part. No. JXA019K

Microwave Oven Specifications

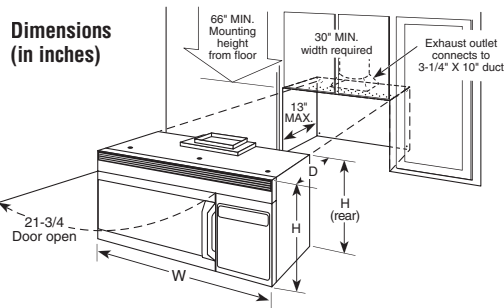
Counter Saver Plus™ microwave oven	RVM1635SK	RVM1435WK
	RVM1635WK	RVM1435BK
Capacity		
Oven cavity (cu. ft.)	1.6	1.4
Features		
Watts (IEC-705 Test Procedure)	1000	950
Power levels	10	10
Electronic touch controls	●	●
Clock		
Display On/Off	●	●
Turntable	●	●
Time Cook	I & II	I & II
Auto/Time Defrost	●	●
Convenience controls	●	●
Popcorn pad	●	●
Beverage pad	●	●
Reheat pad	●	●
Express cook pads (1-6 minutes)	●	●
Instant On controls	●	●
Add 30 seconds	●	●
Kitchen timer	●	●
Cooking complete reminder	●	●
Delay Start	●	●
Child lockout	●	●
Full-View cooktop lighting	●	●
High-capacity exhaust fan	200-CFM	200-CFM
Easy-mount installation	●	●
Appearance		
Door color	Silver Metallic/White/Black	White/Black
Case color	Black/White/Black	White/Black
Weights & Dimensions		
Overall oven interior dimension WxHxD (in inches)	20 x 9-3/8 x 14-2/5	19-1/3 x 9-3/8 x 13-15/16
Approx. shipping weight (lbs.)	67	67
Power/Ratings		
Input Volt/Hz	120/60Hz	120/60Hz
Input Amps/Watts (max)	15/1.58Kw	15/1.58Kw
Accessories		
Recirculating charcoal filter kit (optional)	JX81J	JX81J
Warranty		
Full one-year in-home warranty*	●	●
Limited four-year magnetron warranty* (5 years total)	●	●

*See written warranty for details.

Microwave oven	REM25SJ
Capacity	
Oven cavity (cu. ft.)	1.0
Features	
Watts (IEC-705 Test Procedure)	800
Electronic touch controls	●
Electronic digital display w/clock	●
Convenience controls	●
Beverage	●
Cook	●
Popcorn	●
Reheat	●
Snacks	●
Express Cook	●
Instant On controls	●
Time cook I & II	●
Add 30 Seconds	●
Auto/Time Defrost	●
Power levels	10
Turntable On/Off	●
Kitchen timer	●
Cooking complete reminder	●
Delay Start/Reminder	●
Child lockout	●
Appearance	
Color appearance	Silver Metallic
Door color	Silver Metallic
Case color	Black
Weights & Dimensions	
Approx. shipping weight (lbs.)	40
Cavity	16-1/2 x 8-1/16 x 12-15/32
WxHxD (in inches) Exterior**	23-25/32 x 11-3/16 x 12-9/32
Power/Ratings	
2450 Frequency (MHz)	●
Electrical input	Watts 1300
@ 120V	Amperage 11.5
Accessory	
Cooking guide label	●
Hanging kit (Part No. JXA019K)	Included
Right-angle plug	●
Warranty	
Full one-year warranty*	In-Home
Limited four-year Magnetron warranty* (5 years total)	●

*See written warranty for details.

** Exterior dimensions: height includes feet, depth does not include handle.



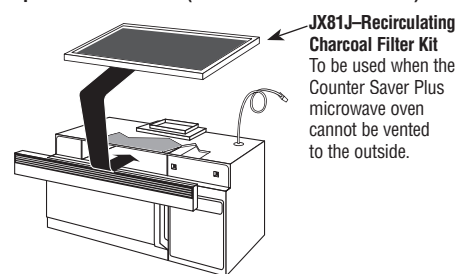
Overall Exterior Dimensions (in inches)

Model	W	D	H	H (Rear)
RVM1635	29-7/8	15-3/4	15-3/4	16-1/2
RVM1435	29-7/8	15-3/4	15-3/4	16-1/2

Important: When installing the Counter Saver Plus microwave oven over a range, allow minimum of 2" from bottom of Counter Saver Plus microwave oven to top of range backguard to allow for removal of light covers.

Installation instructions: Before installing, consult installation instructions packed with product for current dimensional data.

Optional accessories (Available at additional cost)



Ventilation options

The Counter Saver Plus microwave oven is designed for adaptation to the following three types of ventilation:

Outside Exhaust (Vertical)

Outside Exhaust (Horizontal)

Recirculating (Non-vented ductless—Delivered from factory in the vertical exhaust position)

Note: Before installing, consult installation instructions for current dimensional data on these three types of ventilation.

Microwave Oven Specifications

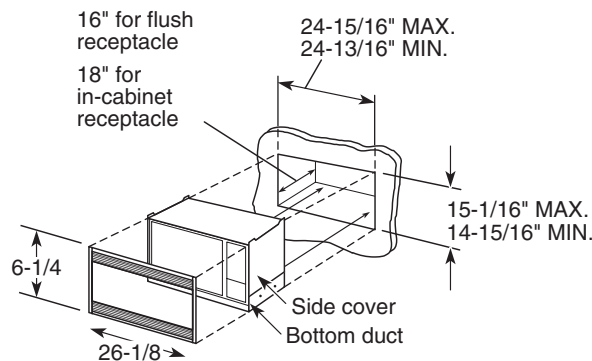
GE® Spacemaker II™ microwave ovens		JEM25WF JEM25BF
Capacity		
Oven cavity (cu. ft.)		1.0
Features		
Watts (IEC-705 Test Procedure)		800
Electronic touch controls		●
Electronic digital display w/clock		●
Convenience controls	Beverage	●
	Cook	●
	Popcorn	●
	Reheat	●
	Snacks	●
Express Cook		●
Instant On controls		●
Time cook I & II		●
Add 30 Seconds		●
Auto/Time Defrost		●
Power levels		10
Turntable On/Off		●
Kitchen timer		●
Cooking complete reminder		●
Delay Start/Reminder		●
Child lockout		●
Appearance		
Color appearance		White on white Black on black
Door color		White Black
Case color		White Black
Weight & Dimensions		
Approx. shipping weight. (lbs.)		40
WxHxD (in inches)	Cavity	16-1/2 x 8-1/16 x 12-15/32
	Exterior†	23-25/32 x 11-3/16 x 12-9/32
Power/Ratings		
2450 Frequency (MHz)		●
Electrical input @ 120V	Watts	1300
	Amperage	11.5
Accessory		
Cooking guide label		●
Hanging kit (Part No. JXA019K)*		Optional
Optional built-in kit		JX827WN JX827BN
Right-angle plug		●
Warranty		
Full one-year warranty**		In-Home
Limited nine-year Magnetron warranty** (10 years total)		●

*Part No. JXA019K is available at additional cost.

**See written warranty for details.

†Exterior dimensions: height includes feet, depth does not include handle.

Cut-Out Dimensions (in inches)



Built-In Trim Kit For 1.0 Cu. Ft. Microwave Ovens

For a custom built-in appearance, this kit allows built-in installation of the Spacemaker II microwave oven into a wall or cabinet alone, and is U.L.-approved for installation over a GE single electric wall oven. This kit should not be installed over a gas wall oven.

Trim Kits for Model JEM25

JX827WN—White, JX827BN—Black

Installation instructions: Before installing, consult installation instructions packed with product for current dimensional data.

See page 75 for warranty information.

GE microwave ovens		JE740WK JE740BK
Capacity		
Oven cavity (cu. ft.)		.7
Features		
Watts (IEC-705 Test Procedure)		700
Electronic touch controls		●
Electronic digital display w/clock (LED)		●
Convenience controls	Beverage	●
	Vegetable	●
	Popcorn	●
	Reheat	●
	Snacks	●
	Pizza	●
Express Cook		●
Instant On controls		●
Time cook		I & II
Add 30 Seconds		●
Auto/Defrost		●
Power levels		10
Turntable		●
Kitchen timer		●
Delay Start/Reminder		●
Cooking complete reminder		●
Child lockout		●
Appearance		
Color appearance		White on white Black on black
Door color		White Black
Case color		White Black
Weight & Dimensions		
Approx. shipping weight. (lbs.)		27
WxHxD (in inches)	Cavity	12-3/16 x 7-13/16 x 11-9/16
	Exterior*	17-15/16 x 11-1/16 x 12-5/16
Power/Ratings		
2450 Frequency (MHz)		●
Electrical input @ 120V	Watts	1150
	Amperage	10.5
Accessory		
Cooking guide label		●
Hanging kit (Part No. JXA019K)**		Optional
Right-angle plug		●
Warranty		
Full one-year warranty†		Carry-In
Four-year magnetron warranty† (10 years total)		Nine-Year (10 years total)

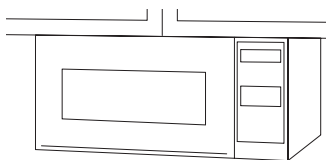
*Exterior dimensions: height includes feet.

**Part No. JXA019K is available at additional cost.

†See written warranty for details.

Undercabinet Mounting Kit Part No. JXA019K For Spacemaker II and Microwave Oven Models JEM25, REM25 and JE740 (Available at additional cost)

Not to be used over a thermal oven.



Undercabinet Installation

Install Spacemaker II and microwave ovens in just a few easy steps with the mounting template, which provides all the necessary measurements. These microwave ovens can be installed on practically any wood or metal cabinets. Installation may vary depending on cabinets.

Note: 120V, 60-cycle, grounded power receptacle location optional on back within cabinet opening.

Dishwashers

Hotpoint dishwashers offer quality, capacity and quiet performance at an exceptional value



Hotpoint dishwashers deliver outstanding performance...quietly. Wash performance, quiet operation and dependability make Hotpoint a great choice.



Power Wash II system
Provides three-level wash action with powerful water jets to effectively remove food soils.



HDA3740GSA

- Silver metallic exterior
- Trimless door design
- Power Wash II system
- Hot PreWash option
- QuietDesign™ sound package
- TouchTap™ controls
- 1-5-hour Delay Start
- Super upper rack
- Deluxe lower rack



ENERGY STAR®-qualified
Hotpoint dishwashers* are certified to exceed ENERGY STAR guidelines for energy efficiency.
*Excluding HDA1000G



Hot PreWash option
Preheats water before the main wash cycle for excellent performance time after time.



Self-cleaning filter
Effectively traps and removes food soils. No hand-cleaning of any filter by consumer is necessary.



QuietPower™ motor
Runs quietly and efficiently to keep the kitchen peaceful.

Not all features available on all models. Complete features and specifications on page 50.

High quality features for performance and convenience



HDA3700GBB



HDA3700GBB

- Trimless door design
- Power Wash II system
- Hot PreWash option
- QuietDesign sound package
- TouchTap controls
- 1–5-hour Delay Start
- Deluxe Plus upper rack
- Deluxe lower rack
- 6 cycles/31 options
- Pots & Pans cycle
- Heavy Wash cycle
- Water Saver cycle
- Plate Warmer cycle
- Hi-Temp Wash
- Deluxe silverware basket

HDA3700GWW White on white



HDA3400GBB



HDA3400GBB

- Trimless door design
- Power Wash II system
- Hot PreWash option
- QuietPower motor
- Pushbutton controls
- Deluxe Plus upper rack
- Deluxe lower rack
- 5 cycles/22 options
- Pots & Pans cycle
- Water Saver cycle
- Plate Warmer cycle
- Hi-Temp Wash
- Deluxe silverware basket

HDA3400GWW White on white

HDA3400GCC Bisque on bisque



HDA2000GBB



HDA2000GBB

- Trimless door design
- Deluxe lower rack
- Hot PreWash option
- QuietPower motor
- 4 cycles/9 options
- Heavy Wash cycle
- Water Saver cycle
- Rinse Only cycle
- Heated Dry
- Deluxe silverware basket

HDA2000GWW White on white

HDA2000GCC Bisque on bisque

Available for contract sales only.



HDA1000GWH

HDA1000GWH

- Trimless door design
- Deluxe lower rack
- Hot PreWash option
- QuietPower motor
- 1 cycle/4 options
- Durable tub and door liner
- Normal Wash cycle
- Heated Dry
- Deluxe silverware basket

White door with black control panel.

GE Spacemaker® Under-the-Sink Dishwashers



Installed under a single sink



Installed under a cooktop



GSM2100GWW

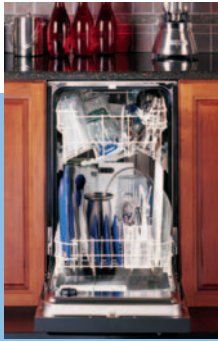
- White on white
- Trimless door design
- Spacemaker upper rack
- Deluxe lower rack
- Deluxe silverware basket
- QuietPower™ motor
- HotStart™ option
- 5 cycles/12 options
- Two wash levels

- Pots & Pans cycle
- Normal Wash cycle
- Short Wash cycle (on dial)
- Plate Warmer cycle (on dial)
- Rinse Only cycle (on dial)
- PermaTuf® tub

GSM2100GCC Bisque on bisque
GSM2100GBB Black on black (not shown)

Note: Under-the-sink dishwashers can be installed under GE cooktop models JP201C and JP202D. Refer to cooktop installation instructions.

GE Spacemaker 18" Built-in Dishwasher with Stainless Interior



GSM1800JBB

- Black on black
- Bright annealed stainless steel interior
- Full-length, flat door
- Nylon racks
- Removable upper rack

- China/Crystal cycle
- Pots & Pans cycle
- Heated Dry option
- 7 cycles/12 options
- Plate Warmer cycle

GSM1860JSS Stainless Steel (not shown)

GSM1800JWW White on white (not shown)

GE Nautilus™ Convertible Dishwashers

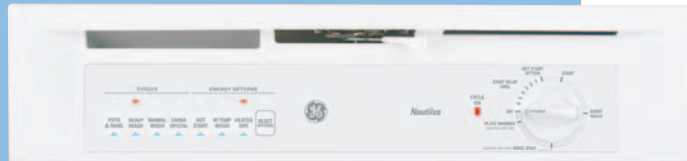
These models feature ENERGY STAR®-qualified; Candlelight woodgrain laminate top; PowerScrub™ wash system; QuietDesign™ sound package; Five wash levels; Piranha™ hard food disposer; Pots & Pans cycle; Normal Wash cycle; Short Wash cycle; Plate Warmer cycle; Rinse Only cycle; Heated Dry option; Hi-Temp Wash option; HotStart option; Super upper rack; Deluxe lower rack; QuietPower motor; Trimless door design.



Portable now



Built-in later



GSC3400JWW

- White on white
- TouchTap™ controls
- 1-6-hour Delay Start
- China/Crystal cycle
- 7 cycles/39 options

- Deluxe split silverware basket
- Rinse aid dispenser with indicator

GSC3400JBB Black on black (not shown)



GSC3200JBB

- Black on black
- Pushbutton controls
- 5 cycles/22 options
- Deluxe silverware basket

GSC3200JWW White on white (not shown)

GE Disposall®—Food Waste Disposers

These models feature stainless steel; dual-swivel; anti-jam grinding blades; Manual reset overload protector; Removable splash guard (continuous feed models only); Drain connector kit.



Continuous feed disposers

GFC1020F

- Heavy-duty 1 HP motor
- 2800-RPM grinding action
- Super capacity
- QuietPower III sound insulation package
- EZ-Mount installation
- Stainless steel sink flange
- Sink stopper
- One-year full replacement plus six-year limited warranty*

GFC520F

- Heavy-duty 1/2 HP motor
- 2600-RPM grinding action
- Large capacity
- Standard sound insulation package
- EZ-Mount installation
- Stainless steel sink flange
- Sink stopper
- One-year full replacement plus one-year limited warranty*

GFC720F

- Heavy-duty 3/4 HP motor
- 2700-RPM grinding action
- Super capacity
- QuietPower II sound insulation package
- EZ-Mount installation
- Stainless steel sink flange
- Sink stopper
- One-year full replacement plus four-year limited warranty*

GFC525F

Similar to GFC520 but has attached line cord

GFC320F

- 1/3 HP motor
- 1900-RPM grinding action
- Large capacity
- Standard sound insulation package
- EZ-Mount installation
- Stainless steel sink flange
- Sink stopper
- One-year full replacement warranty*

GFC530F

- Heavy-duty 1/2 HP motor
- 2600-RPM grinding action
- Extra-large capacity
- QuietPower I sound insulation package
- EZ-Mount installation
- Stainless steel sink flange
- Sink stopper
- One-year full replacement plus two-year limited warranty*

GFC325F

Similar to GFC320 but has attached line cord

Batch feed disposer

GFB760F

- Heavy-duty 3/4 HP motor
- 2700-RPM grinding action
- Super capacity
- QuietPower II sound insulation package
- EZ-Mount installation
- Stainless steel sink flange
- Sink stopper
- One-year full replacement plus four-year limited warranty*

GFC535F

Similar to GFC530 but has attached line cord

GE Profile™ Built-In Compactors



GCG1540FSS Stainless steel

- Built-in only
- 1.4 cu. ft. capacity
- 1/3-HP motor
- Removable key lock
- Toe pedal opener
- Rear wheels allow easy movement and installation
- Heavy-gauge steel construction

GCG1530FWW White on white (not shown)

GCG1550FCC Bisque on bisque (not shown)-Discontinues November 2005

GCG1520FBB Black on black (not shown)

*See written warranty for details

Dishwasher Specifications

Built-in dishwashers	ENERGY STAR®	ENERGY STAR	ENERGY STAR	HDA1000GWH
	HDA3740GSA HDA3700GWW HDA3700GWB	HDA3400GWW HDA3400GCC HDA3400GWB	Contract Only HDA2000GWW HDA2000GCC HDA2000GWB	
Features				
Power Wash II system	●	●		
Self-cleaning filter	●	●		
Food disposer	●	●	●	●
Wash levels	3	3	2	2
Cycles/Options	6/31	5/22	4/9	1/4
Pots & Pans cycle	●	●		
Heavy Wash cycle	●		Dial	
Normal Wash cycle	●	●	Dial	Dial
Water Saver cycle	Dial	Dial	Dial	
Plate Warmer cycle	Dial	Dial		
Rinse Only cycle	Dial	Dial	Dial	
Delay Start	1-5-hour			
Heated Dry	●	●	Rocker	Rocker
Hi-Temp Wash	●	●		
Hot PreWash option	●	Dial	Dial	Dial
Control Type	TouchTap™ w/Dial	Pushbutton w/Dial	Dial w/Rocker	Dial w/Rocker
Touchpads	7			
Pushbuttons		6		
Cycle progress indicator	1 "cycle on"			
Rack System	Upper Lower	Deluxe Plus Deluxe	Deluxe Plus Deluxe	Standard Deluxe
Silverware basket	Deluxe	Deluxe	Deluxe	Deluxe
Hard countertop installation	GPF65	GPF65	GPF65	GPF65
Rinse aid dispenser	●	●	●	●
Center throw door latch	●	●	●	●
Quiet				
Sound insulation package	QuietDesign™	Standard	Standard	
QuietPower™ motor	●	●	●	●
Appearance				
Colors available*	SA, WW, BB	WW, CC, BB	WW, CC, BB	WH
Color panels	Door Access	Trimless Trimless	Trimless Trimless	Trimless Trimless
Weights & Dimensions				
Height w/legs retracted (in.)	34	34	34	34
Overall width (in.)	24	24	24	24
Overall depth (in.)	25-3/4	25-3/4	25-3/4	25-3/4
Approx. shipping wt. (lbs.)	80	80	80	80
Accessories				
Requires kit for 1/4" panel capability (w/trim)	GPF425W/B	GPF325W/C/B	GPF325W/C/B	GPF325W
Requires kit for 3/4" panel capability (trimless)	GPF475	GPF375	GPF375	GPF375

*Colors available: SA = Silver metallic, WW = White on white, CC = Bisque on bisque, BB = Black on black, WH = White door with black control panel.

Dishwasher accessories

Side panel for all models:

Contains one panel and adjustable toe kick for end cabinet installation of built-in model.

Does not attach to dishwasher.

Specify color: GPS5WW—White GPS5CC—Bisque

Optional dishwasher accessories:

GPF65—Brackets for under non-wood countertop installation

GPF95—Stainless sink for Spacemaker® dishwasher single bowl 21-1/4" x 25" drain hole on right; elbow and strainer included

GPF96—Stainless sink for Spacemaker dishwasher single bowl 21-1/4" x 25" drain hole on left; elbow and strainer included

GPF97—Stainless sink for Spacemaker dishwasher double bowl 21-1/4" x 33" elbow and strainer included

GPF100—Heavy spring kit for custom door panel weighing more than 4 lbs.

Wood panel capability:

Model: GSM1800J

GPF18B—1/4" panel trim kit

Models: HDA3400, HDA2000, HDA1000, GSM2100, GSC3200

GPF325W/C/B—1/4" panel trim kit (door and access)

GPF375—3/4" trimless panel trim kit (door and access) [GPF100—heavy-duty spring kit included]

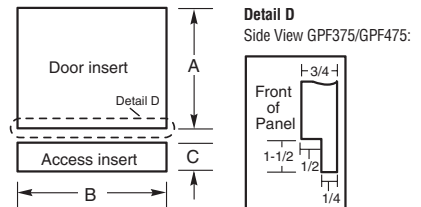
Models: HDA3700, GSC3400

GPF425W/C/B—1/4" panel trim (door and access)

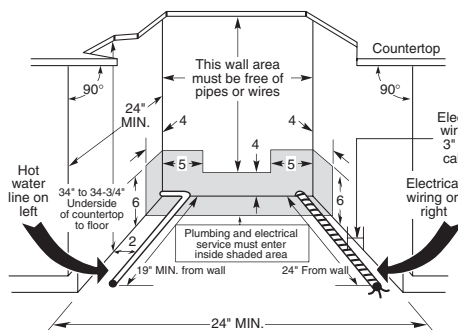
GPF475—3/4" trimless panel kit (door and access) [GPF100—heavy-duty spring kit included]

Wood insert cutout dimensions (in inches)

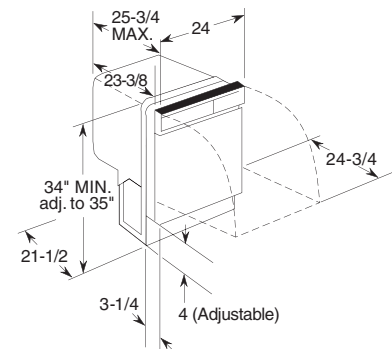
Kits: GPF325, GPF375, GPF425 and GPF475



Dishwasher rough-in information (in inches)



Dishwasher dimensions (in inches)



Specifications and electrical rating

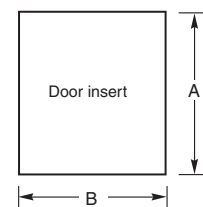
120 Volts AC, 60 Hertz, 6.2 Amps total connected load 500 Watt Calrod® heater. For use on adequately wired 120 volt, 15 amp circuit having two-wire service with a separate ground wire. This appliance must be grounded for safe operation.

Dishwasher must not be installed more than 10 feet from sink for proper drainage. All plumbing and electrical work must be in accordance with local codes. Dishwasher includes drain hose and leveling legs.

Note: Before installing, consult installation instructions packed with product for current dimensional data.

Wood insert cutout dimensions (in inches)

Kits: GPF18B



Kit	A	B	Panel Thickness
GPF18B	22-3/16	17-3/16	1/4

See page 75 for warranty information.

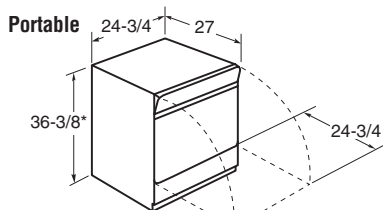


Listed by Underwriters Laboratories

GE® Nautilus convertible dishwashers	ENERGY STAR	ENERGY STAR
	GSC3400JWW GSC3400JBB	GSC3200JWW GSC3200JBB
Features		
Wash system	PowerScrub™	PowerScrub
Wash levels	5	5
Water filtration	Dual	Dual
Hard food disposer	Piranha™	Piranha
Cycles	7	5
Pots & Pans	●	●
Heavy Wash	●	●
Normal Wash	●	●
China/Crystal	●	●
Short Wash	Dial	Dial
Plate Warmer	Dial	Dial
Rinse Only	Dial	Dial
Options	39	22
Delay Start option	1-6-hour	
Heated Dry	●	●
Energy Saver	●	●
Hi-Temp Wash	●	●
HotStart™	●	Dial
Racks (upper/lower)	Super/Deluxe	Super/Deluxe
Silverware basket	Deluxe split w/2 cell covers	Deluxe
Cycle progress indicator	1 "Cycle On"	Dial
TouchTap controls	8	
Pushbuttons		6
Hard countertop installation	GPF65	GPF65
Rinse aid dispenser	w/Indicator	●
Center throw door latch	●	●
Quiet		
Sound insulation package	QuietDesign	QuietDesign
PermaTuf® tub and door liner	●	●
QuietPower motor	●	●
Sealed toe-kick	●	●
Appearance		
Colors available*	WW, BB	WW, BB
Color panels—door & access	Trimless	Trimless
Decorative wood laminate top	Woodgrain	Woodgrain
Weights & Dimensions		
Overall height w/legs extended (in.)	36-3/8	36-3/8
Overall width (in.)	24-7/8	24-7/8
Overall depth (in.)	27	27
Approx. shipping weight (lbs.)	130	130
Accessories		
Requires kit for 1/4" panel capability with trim	GPF425W/B	GPF325W/B
Requires kit for trimless 3/4" panel capability	GPF475	GPF375

*Colors available: WW = White on white, BB = Black on black (with bisque side panels).

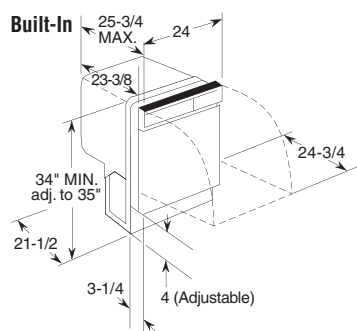
Convertible Dishwasher Dimensions (in inches)



*Includes top and wheels

Electrical rating

Voltage AC 120
 Hertz 60
 Total connected load amperage 6.2
 Calrod heater watts 500
 For use on adequately wired 120V, 15-amp circuit having 2-wire service with a separate ground wire. This appliance must be grounded for safe operation.

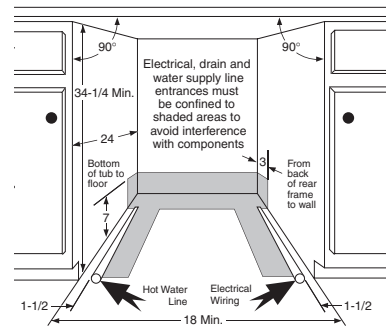


Important Note: GE kit number WD35M34 needed when adapting GE convertible dishwasher to a built-in installation. Contains built-in dishwasher water valve, hardware and complete instructions for changing a GE convertible dishwasher for under-the-counter installation.

GE Spacemaker® 18" built-in dishwasher	ENERGY STAR	
	GSM1860JSS GSM1800JWW GSM1800JBB	
Features		
Tub and door liner	Stainless steel	
Wash levels	2	
Cycles	7	
Pots & Pans	Dial	
Heavy Wash	Dial	
Normal Wash	Dial	
Light Wash	Dial	
China/Crystal	Dial	
Plate Warmer	Dial	
Rinse Only	Dial	
Options	12	
Heated Dry	Rocker	
Racking (upper/lower)	Nylon	
Removable upper rack	●	
Utility shelves	●	
Silverware basket	Standard	
Control type	Turn-to-start	
Cycle progress indicator	Dial	
Hard countertop installation	N/A	
Rinse aid dispenser	w/adjustment	
120°F inlet water capability	●	
Leveling screws	●	
Quiet		
Tub insulation	Standard	
Appearance		
Colors available*	SS, WW, BB	
Weights & Dimensions		
Height w/legs retracted (in.)	32-1/2	
Overall width (in.)	18	
Overall depth (in.)	22-1/2	
Approx. shipping weight (lbs.)	100	
Accessories		
Requires kit for 1/4" panel capability with trim	GPF18B	

*Colors available: SS = Stainless steel, WW = White on white, BB = Black on black.

Figure 1



Dishwasher Rough-In Information

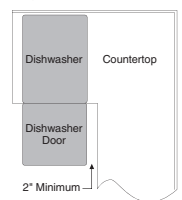
Note: Dishwasher must not be installed more than ten feet from sink for proper drainage. All plumbing and electrical work must be in accordance with local codes.

Most of the installation work should be done before the dishwasher is moved into place. First, select a location as close to the sink as possible for ready access to water and drain lines. For proper operation and appearance of the dishwasher, the cabinet opening should be square and have dimensions as shown in Figure 1. If the dishwasher is to be installed in a corner, there must be sufficient clearance to open the door as shown in Figure 2. A minimum clearance of 2" is recommended.

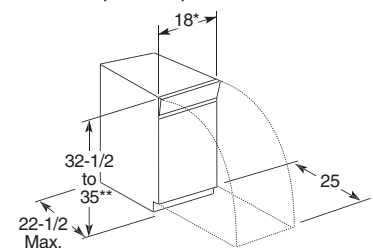
Rough-in the water, electrical, and drain lines before proceeding with installation. The lines should run straight to their connections on the dishwasher.

Note: Make sure that the lines do not cross in front of the dishwasher motor or its legs.

Figure 2



Spacemaker Built-In Dimensions GSM1800J (in inches)



*Width adjustable from 17-5/8" to 18".
 **Meets ADA countertop height requirement of 34".

Electrical rating

Voltage AC 120
 Hertz 60
 Total connected load amperage 9.0
 Calrod heater watts 550
 For use on adequately wired 120V, 15-amp circuit having 2-wire service with a separate ground wire. This appliance must be grounded for safe operation.

Dishwasher Specifications

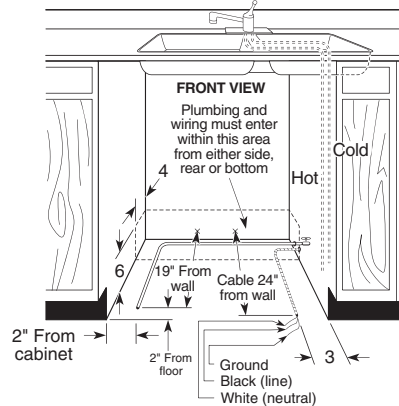
GE Spacemaker® under-the-sink dishwasher

ENERGY STAR®	
GSM2100GWW GSM2100GCC GSM2100GBB	
Features	
Wash levels	2
Food disposer	●
Cycles	5
Pots & Pans	●
Normal Wash	●
Short Wash	Dial
Plate Warmer	Dial
Rinse Only	Dial
Options	12
Heated Dry	●
HotStart™	Dial
Racks, shelf & basket	
Upper rack	Spacemaker
Lower rack	Deluxe
Silverware basket	Deluxe
Control type	Turn-to-start
Cycle progress indicator	Dial
Pushbuttons	4
Hard countertop installation	GPF65
Optional heavy door spring	GPF100
Rinse aid dispenser	●
Steel door	●
Center throw door latch	●
Quiet	
PermaTuf® tub and door liner	●
QuietPower™ motor	●
Appearance	
Colors available*	WW, CC, BB
Color panels—door & access	Trimless
Weights & Dimensions	
Height w/legs retracted (in.)	34
Overall width (in.)	24
Overall depth (in.)	25-3/4
Approx. shipping weight (lbs.)	72
Accessories	
Requires kit for 1/4" panel capability with trim	GPF325W/C/B
Requires kit for trimless 3/4" panel capability	GPF375

*Colors available: WW = White on white, CC = Bisque on bisque, BB = Black on black.

Note: Under-the-sink dishwashers can be installed under GE cooktop models JP201C and JP202D. Refer to cooktop installation instructions.

Plumbing/Electrical Rough-In (in inches)



Plumbing: Hot Water Only: Use 3/8" O.D. copper tubing or 1/2" O.D. plastic tubing min. inlet line. Water valve has 3/8" internal threads. Hand cut-off valve is recommended.

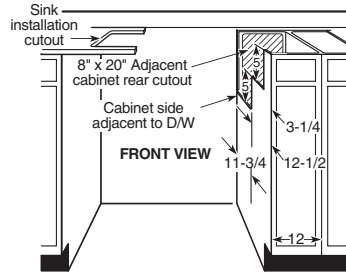
Electrical: Fuse circuit with 15 amp or 20 amp standard fuse or circuit breaker. Total amp load is 6.2. Dishwasher operates on 120V, 60 Hz power. Two-wire cable (14 Ga. Min.) with ground must be installed.

Note: All rough-in, both plumbing and electrical, must be completed before the dishwasher is installed. All plumbing and electrical work must be in accordance with local codes.

Specifications: Inlet Water Temperature Recommended: Minimum 120°F at dishwasher. Inlet Water Pressure Required: 15 to 120 lbs./sq. in.

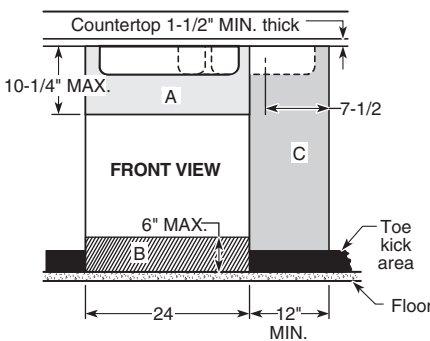
See page 75 for warranty information.

Cabinet Cutout for Sink (in inches)



Cabinet cutouts for offset single and double bowl sinks. Dishwasher not provided with complete enclosure. Enclosures for sides, top, bottom, and back must be provided by installer at time of installation.

Cabinet Rough-In (in inches)



Either single- or double-bowl sink may be used, centered or offset, as shown in the front illustration above. The 20-1/2" max. dimension from wall to front of sink bowl must be accurate if dishwasher is to fit properly under sink. Water lines to sink faucet and drain from sink can be run through area "A." HOT WATER line to dishwasher is installed in area "B." Garbage disposer, water lines to faucet, trap, waste air gap and water cut-off valve are installed in 12" wide cabinet shown in area "C." Sink opening for garbage disposer must be dimensioned as shown in front view, area "C" above (7-1/2"). This will provide clearance for disposer and plumbing in cabinet "C" when using double bowl sink. If the sink bowl is more than 20-1/2" max. specified distance from the wall, or if the base cabinet is less than the 24" min. depth from the wall, a gap between the tub front flange and the front of the base cabinet may result.

Stainless Steel Sinks Single- and Double-Bowl Models Dimensions (in inches)

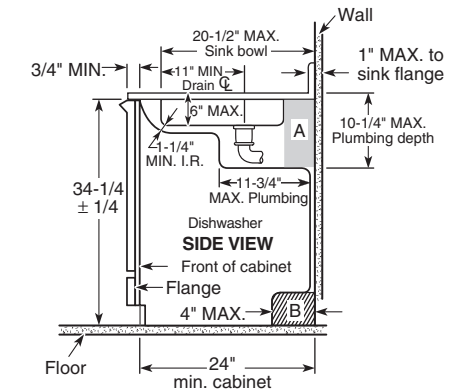
Model Number	Overall Size		Inside Each Compartment		
	L	W	L	W	D
GPF95 (Single Bowl, R)*	25	21-1/4	21	15-3/4	5-3/8
GPF96 (Single Bowl, L)*	25	21-1/4	21	15-3/4	5-3/8
GPF97 (Double Bowl)	33	21-1/4	14	15-3/4	5-3/8

Model Number	Cutout In Countertop 1-1/2" Radius Corners		No. Of 1-1/2" Dia. Faucet Holes	Ship. Wt. Lbs.
	L	W		
GPF95 (Single Bowl, R)*	24-3/8	20-5/8	3 or 4**	10
GPF96 (Single Bowl, L)*	24-3/8	20-5/8	3 or 4**	10
GPF97 (Double Bowl)	32-3/8	20-5/8	3 or 4**	12-1/2

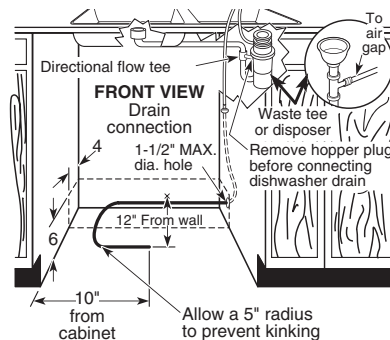
Note: Drain opening size is 3-1/2". Above models are fully sound deadened.

*Suffix "L" or "R" means drain outlet is located in upper left or right corner of sink compartment.

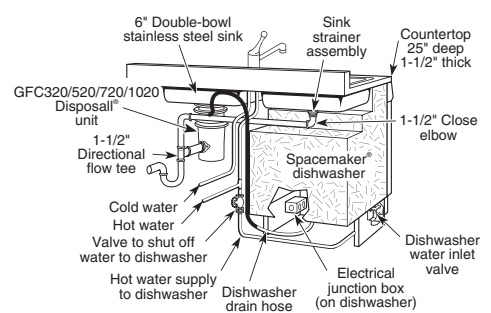
**All have four holes, but one hole has a removable plug.



Rough-In for Installation with Disposer (in inches)



Rear View Plumbing Arrangement (in inches)



A close-fitting elbow or special shallow sink strainer is necessary to provide clearance between sink drain and dishwasher. Dishwasher furnished with 1/2" I.D. drain hose, 78" long. If using copper tubing, 2" length of 1/2" I.D. rubber hose must be provided to connect copper tubing to pump outlet. Disposer should have 7/8" I.D. dishwasher drain connector.

Disposer and Built-In Compactor Specifications

GE Disposall® food waste disposers	Continuous Feed								Batch Feed
	GFC1020F	GFC720F	GFC530F	GFC535F	GFC520F	GFC525F	GFC320F	GFC325F	GFB760F
Features									
Motor horsepower	1	3/4	1/2	1/2	1/2	1/2	1/3	1/3	3/4
Control method	Wall switch	Wall switch	Wall switch	Wall switch	Wall switch	Wall switch	Wall switch	Wall switch	Stopper
Feed type	Continuous	Continuous	Continuous	Continuous	Continuous	Continuous	Continuous	Continuous	Batch
Power connection	Direct wire	Direct wire	Direct wire	Line cord	Direct wire	Line cord	Direct wire	Line cord	Direct wire
Impellers									
Dual-swivel	•	•	•	•	•	•	•	•	•
Jam resistant	•	•	•	•	•	•	•	•	•
Stainless steel	•	•	•	•	•	•	•	•	•
Armature shaft material	Cold-rolled carbon steel	Cold-rolled carbon steel	Cold-rolled carbon steel	Cold-rolled carbon steel	Cold-rolled carbon steel	Cold-rolled carbon steel	Cold-rolled carbon steel	Cold-rolled carbon steel	Cold-rolled carbon steel
Grinding speed (RPMs)	2,800	2,700	2,600	2,600	2,600	2,600	1,900	1,900	2,700
Capacity	Super	Super	Extra-large	Extra-large	Large	Large	Large	Large	Super
Mounting type	EZ-Mount	EZ-Mount	EZ-Mount	EZ-Mount	EZ-Mount	EZ-Mount	EZ-Mount	EZ-Mount	EZ-Mount
Turntable material	Stainless	Stainless	Stainless	Stainless	Galv. steel	Galv. steel	Galv. steel	Galv. steel	Stainless
Two-level precutiter	•	•	•	•	•	•	•	•	•
Stainless steel sink flange	•	•	•	•	•	•	•	•	•
Manual reset overload protector	•	•	•	•	•	•	•	•	•
Splash guard	•	•	•	•	•	•	•	•	•
Sink stopper	•	•	•	•	•	•	•	•	•
Dishwasher drain connector	•	•	•	•	•	•	•	•	•
Drain elbow	•	•	•	•	•	•	•	•	•
Quiet									
Sound insulation package	QuietPower 3	QuietPower 2	QuietPower 1	QuietPower 1	Standard	Standard	Standard	Standard	QuietPower 2
Weights & Dimensions									
Approx. shipping weight (lbs.)	14.9	12.45	9.6	9.9	8.8	9.1	8.4	8.7	13.75
Net weight (lbs.)	13.2	10.7	8.05	8.35	7.8	8.1	7.4	7.7	11
Dishwasher inlet diameter (in.)	1	1	1	1	1	1	1	1	1
Drain outlet diameter (in.)	1-1/2	1-1/2	1-1/2	1-1/2	1-1/2	1-1/2	1-1/2	1-1/2	1-1/2
Power Ratings									
Volts, Hertz, Amps	120; 60; 7.0	120; 60; 6.0	120; 60; 4.5	120; 60; 4.5	120; 60; 4.5	120; 60; 4.5	120; 60; 4.0	120; 60; 4.0	120; 60; 6.0
Warranty*									
One-year full replacement							•	•	
One-year full replacement plus One-year limited replacement					•	•			
One-year full replacement plus Two-year limited replacement			•	•					
One-year full replacement plus Four-year limited replacement		•							•
One-year full replacement plus Six-year limited replacement	•								

*See written warranty for details.

GE Profile™ built-in compactors

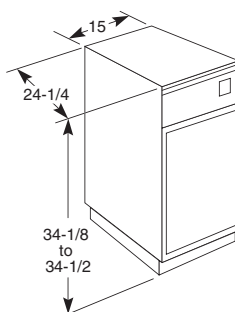
GCG1540FSS, GCG1530FWW, GCG1550FCC, GCG1520FBB

Features	
Cycle time	27 seconds max., 14 seconds min.
Drive system	2-Point
Motor horsepower	1/3
Compression ratio (average)	75% reduction of volume
Ram force (lb.) (max.)	2,300
Front level legs and rear wheels	•
Capacity	1.4 cu. ft.
Side release bin	•
Toe/foot pedal drawer opener	•
Lock/start control w/removable key	•
Automatic anti-jam	•
Slide-out drawer	•
Appearance	
Color appearance*	SS, WW, CC, BB
Color-matched	•
Heavy-gauge steel construction	•
1/4" panel capability	•
Weights & Dimensions	
Total shipping weight (lbs.)	152
Total appliance weight (lbs.)	141
Overall height (in.)	34-1/8 to 34-1/2
Overall width (in.)	15
Overall depth (in.)	24-1/4
Cutout dimensions H x W x D (in.)	34-1/4 x 15-1/8 x 24-3/4
Clearance for drop-down drawer side	6" or more on right side
Drawer extension for removal	23" or more in front of appliance
Custom panel size H x W (in.)	23-15/16 x 14-5/8
Accessories	
Compactor bags (5 included)	WC60X5017
Warranty	
Full one-year warranty**	•

* Colors available: SS = Stainless steel, WW = White on white, CC = Bisque on bisque, BB = Black on black.

**See written warranty for details.

Compactor Dimensions (in inches)



Disposer Accessories:

Colored sink flanges
GPF76—White
GPF78—Bisque
 Discontinues November 2005

Compactor Accessories:

New 1/4" panel trim kits (color-matched)
GPF82S—Stainless steel
GPF82W—White
GPF82B—Black
 Discontinues November 2005

See page 75 for warranty information.

Washers

Super and extra-large capacity washers

WWSR4150D

- 3.2 cu. ft. super capacity plus washer
- Variable water levels
- 15 cycles
- 4 wash/spin speed combinations
- Extra Rinse
- Auto presoaks
- GentlePower™ Agitator
- Bleach dispenser
- Fabric softener dispenser

VBSR3100D

- 3.2 cu. ft. super capacity washer
- 3 water levels
- 10 cycles
- 3 wash/spin speed combinations
- 3 wash/rinse temperature settings
- FlexCare™ Agitator
- Bleach dispenser

WWSR1070D

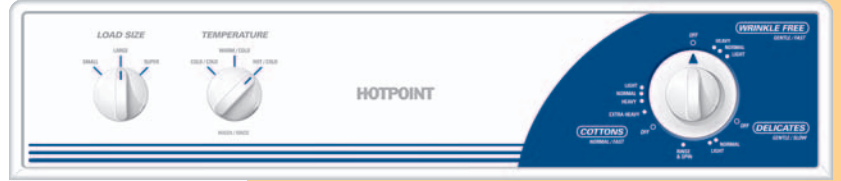
- 3.2 cu. ft. super capacity washer
- 3 water levels
- 7 cycles
- 1 wash/spin speed combination
- 3 wash/rinse temperature settings
- FlexCare Agitator

VBXR1090D

- 2.7 cu. ft. extra-large capacity washer
- 3 water levels
- 9 cycles
- 1 wash/spin speed combination
- 3 wash/rinse temperature settings
- FlexCare Agitator
- Bleach dispenser



WWSR4150D



VBSR3100D



WWSR1070D



VBXR1090D



WWSR4150D



Extra Rinse option

Ideal for those with sensitive skin, this option removes excess detergent residue from fabric fibers.



Automatic presoak cycle

This option soaks heavily soiled clothes for 15 or 30 minutes, then automatically goes into the cotton wash cycle. No need for a second trip to the washer!



GentlePower agitator

This dual-action agitator maximizes wash performance with a rotating spiral and flexible fins. The upper spiral continually circulates the wash load, pulling clothes from the top and lifting them from the bottom. The bottom fins move back and forth to provide gentle, effective cleaning action.



Delicate cycle

This extra-care setting uses gentle agitation to protect fine handwashables such as lingerie and sweaters.

Not all features available on all models. Complete features and specifications on page 58.

Super and extra-large capacity dryers

NWSR483EB Electric NWSR483GB Gas

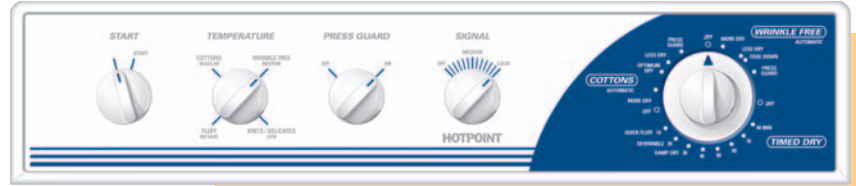
- 7.0 cu. ft. super capacity dryer
- Automatic dry control
- 8 cycles
- 4 heat selections
- Press Guard Wrinkle Care
- Upfront lint filter
- Variable end-of-cycle signal
- Dryer interior light
- Reversible door

NBXR463EB Electric NBXR463GB Gas

- 6.0 cu. ft. extra-large capacity dryer
- Automatic dry control
- 6 cycles
- 4 heat selections
- Upfront lint filter
- Reversible door

NVLR333EE Electric NVL333GE Gas

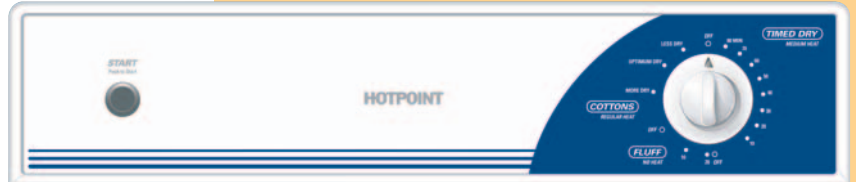
- 5.8 cu. ft. extra-large capacity dryer
- Automatic dry control
- 3 cycles
- 3 heat selections
- Upfront lint filter
- Reversible door



NWSR483EB (Electric), NWSR483GB (Gas)



NBXR463EB (Electric), NBXR463GB (Gas)

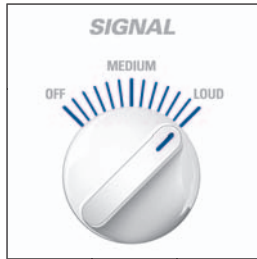


NVLR333EE (Electric), NVL333GE (Gas)



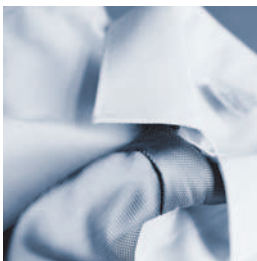
Press Guard Wrinkle Care

This no-heat tumble cycle saves you the trouble of rushing to remove clothes by signaling every five minutes, for up to 20 minutes, after clothes are dry.



Variable end-of-cycle signal

Great when you're busy, this audible signal reminds you when clothes are dry. The signal volume can be adjusted according to your needs, whether your laundry room is next to the nursery or in the basement.



Automatic dry control

For each load, the dryer monitors the temperature with an automatic thermostat and ends the cycle when clothes are properly dried.



Dryer interior light

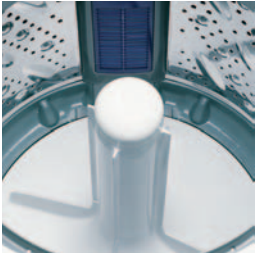
This brilliant light puts small items like socks and washcloths into clear view, making unloading faster and easier.



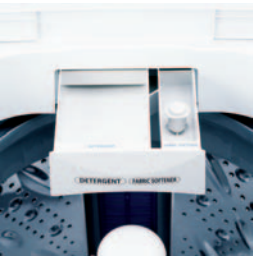
NWSR483EB/GB

GE Spacemaker®: Portable/Stationary Models

Portable/Stationary topload washer



Stainless steel tub
Extra-large 2.5 cu. ft. stainless steel tub with lint filter.



Fabric softener dispenser
Easily accessible detergent/fabric softener dispenser.



WSLP1100DWW (Portable)

- White on white
- 24" 2.5 cu. ft. extra-large capacity
- 120V
- Stainless steel basket
- 1 wash/spin speed
- 10 cycles
- 3 wash/rinse temperatures
- 4 water levels
- Load sensing
- Electronic controls
- Digital countdown
- Bifold lid
- Bleach dispenser
- Fabric softener dispenser
- Lint filters
- Easy-roll rollers

WLSL1100DWW (Stationary) (not shown)

- White on white
- 120V



DSDR24D shown with WLSL1100D Washer and DSKS433EB Dryer

DSDR24D

- Stack Rack White (only) (Available at additional cost)
- For use with portable or stationary Spacemaker washers and stationary dryers

Stationary dryers



DSKS433EB

- White on white or White with black controls
- 3.6 cu. ft. capacity
- 240V
- 3 drying cycles
- 4 heat selections

WMK-35 Wall-Mount Kit

(Available at additional cost, applies *only* to stationary models.)



DSKS333ECWW

- White on white
- 3.6 cu. ft. capacity
- 120V
- 3 drying cycles
- 3 heat selections
- 15-amp dryer cord attached

WMK-35 Wall-Mount Kit

(Available at additional cost, applies *only* to stationary models.)

Portable dryers



DSKP333ECWW (not shown)

- White on white
- 3.6 cu. ft. capacity
- 120V
- 3 drying cycles
- 3 heat selections
- 15-amp dryer cord attached



WSM2700D Electric
WSM2780D Gas

- White on white
(Electric model also available in Bisque on bisque)
- Full size 27" 2.7 cu. ft. extra-large capacity washer features 3 cycles, 3 wash/rinse temperature options, 3 water level selections
- Dryer features Automatic dry control as well as 4 cycles



WSM2420D Electric
WSM2480D Gas

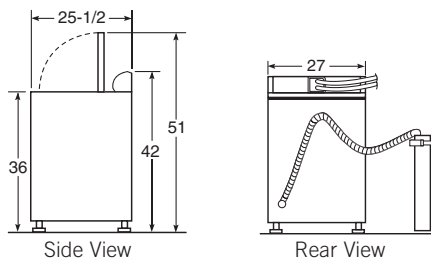
- White on white
(Electric model also available in Bisque on bisque)
- 24" 1.9 cu. ft. large capacity washer features 3 cycles, 3 wash/rinse temperature options, 3 water level selections
- Dryer features Automatic dry control as well as 4 cycles

Washer and Dryer Specifications

Washers	VWSR4150D	VBSR3100D	VVSR1070D	VBXR1090D
Capacity				
Capacity cu. ft.	3.2 Super Plus	3.2 Super Plus	3.2 Super	2.7 Extra-large
Controls				
Rotary	●	●	●	●
Wash/rinse temps	3	3	3 timer	3
Water levels	Variable	3	3	3
Wash system				
Wash basket	ExtraAction™	ExtraAction	PermaTuf® II	PermaTuf II
Wash mechanism	GentlePower™ Agitator	GentlePower Agitator	FlexCare™ Agitator	FlexCare Agitator
Wash/spin combinations	4	3	1	1
Drive system				
Transmission	Steel	Steel	Steel	Steel
Maximum spin speed	630 RPM	630 RPM	630 RPM	630 RPM
Dispensers				
Bleach	●	●		●
Fabric softener	●			
Wash cycles				
Number of cycles	15	10	7	9
Cottons regular	●	●	●	●
Auto soak (30 min.)	●			
Auto soak (15 min.)	●			
Extra heavy soil		●		●
Heavy soil	●	●	●	●
Medium soil	●	●	Normal	●
Light soil	●	●	●	●
Easy care	Wrinkle free	Wrinkle free	Wrinkle free	Wrinkle free
Auto soak (15 min.)	●			
Heavy soil	●	●		●
Medium soil	●	●	Normal	●
Light soil	●	●	●	●
Extra light soil				●
Casuals-pulsed				●
Heavy soil				●
Medium soil				●
Light soil				●
Delicate	●	●	Knits	
Medium soil	●	●	●	
Light soil	●	●	●	
Special cycles				
2nd rinse	Cottons & easy care			
Rinse & spin (Quick rinse)	●	●		
Prewash	●			
Spin Only	●			
Additional features				
Quiet performance	Quiet-by-Design™	Quiet-by-Design™	Quiet-by-Design™	Quiet-by-Design™
Instructions/guides	Color lid instructions	Color lid instructions	Color lid instructions	Color lid instructions
Appearance				
Colors available*	WW	WW	WW	WW/CC
Weights & dimensions				
Approx. shipping weight (lbs.)	160	160	160	160
H x W x D in inches	42 x 27 x 25-1/2	42 x 27 x 25-1/2	42 x 27 x 25-1/2	42 x 27 x 25-1/2

*WW = White on white, CC = Bisque on bisque

Washer Dimensions (in inches)



Washer specifications:

Electrical rating: 115V, 60 Hz, 10 Amps

Circuit requirements: An individual properly grounded branch circuit, with a three-prong grounding-type receptacle protected by a 15- or 20-amp circuit breaker or time-delay fuse, is required.

Washer Note: Washer wall outlet must be located within 36" of service cord entry. Wall outlet must not be located behind dryer.

Dryer Note: Dryer wall outlet must be located within 36" of service cord entry and accessible when dryer is mounted in position.

See page 75 for warranty information.

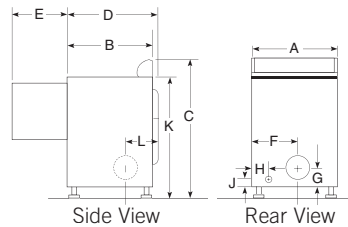
Dryers	Electric	NWSR483EB	NBXR463EB	NVLR333EE
	Gas	NWSR483GB	NBXR463GB	NVLR333GE
Capacity				
Capacity cu. ft.		7.0 Super	6.0 Extra-large	5.8 Extra-large
Controls				
Rotary		●	●	●
Heat selections		4	4	3
Dry system				
Temperature sensor		Thermostat	Thermostat	Thermostat
Dryer drum		DuraDrum™	DuraDrum™	DuraDrum™
Drum baffles		White	White	White
Signal				
End-of-cycle		Variable		
Dry cycles				
Number of cycles		8	6	3
Cottons regular				
Automatic dry cottons		●	●	●
Optional		●		
Easy care				
Automatic dry easy care		●	●	●
Wrinkle care		●		
Timed dry				
Maximum time available		80 Mins.	80 Mins.	70 Mins.
Special cycles				
Dewrinkle		●	●	
Additional features				
Quiet performance		Quiet-by-Design™	Quiet-by-Design™	Quiet-by-Design™
Dryer interior light		●		
Appearance				
Colors Available*		WW	WW	WW/CC
Weights & dimensions				
Approx. shipping weight - elect.		119	112	112
Approx. shipping weight - gas		125	115	115
H x W x D in inches		42 x 27 x 25-1/2**	42 x 27 x 25-1/2**	42 x 27 x 25-1/2**

*WW = White on white, CC = Bisque on bisque.

**24-1/2" from the edge of the side panel to the front.

25-1/2" from front to edge of endcaps.

Dryer dimensions (in inches)



	Extra-Large 5.8 and 6.0 Capacity	Super 7.0 Capacity
A	27	27
B	25-1/2*	25-1/2*
C	42	42
D	25-3/4	28-1/4
E	23-1/2	23-1/2
F	11-1/2	11-1/2
G	3-1/2	3-1/2
H	2	2
J	2-1/2	2-1/2
K	36	36
L	5-1/4	8-1/2

*24-1/2" from the edge of the side panel to the front.
25-1/2" from front to edge of end caps.

Circuit requirements:

Electric: An individual properly grounded branch circuit protected by a 30-amp circuit breaker or time-delay fuse, is required.

Gas: An individual, properly grounded branch circuit with a three-prong grounding-type receptacle, protected by a 15- or 20-amp circuit breaker or time-delay fuse, is required.

Gas (BTU/HR): 22,000 for 5.8, 6.0 and 7.0 cu. ft. dryers. Factory-equipped for natural gas. Tested for LP gas. LP gas supply requires an optional conversion kit: 5.8, 6.0 and 7.0 cu. ft. model kit is WE25X0217. Have a qualified gas technician install a conversion kit. See dryer ducting information for proper installation.

Electric dryer rating:

240V, 5600W, 24A, 60 Hz-5.8, 6.0, 7.0 cu. ft. dryers.
208V, 4400W, 22A, 60 Hz-5.8, 6.0, 7.0 cu. ft. dryers

Gas dryer electric rating:
120V, 60 Hz, 6A

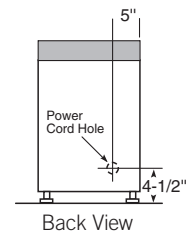
Dryer Specifications

Exhaust Options:

Electric: 4-way via rear, right, left and bottom.
Gas: For 5.8, 6.0 and 7.0 cu. ft. dryers, when viewed from the front of the unit, exhaust 3-way via rear, left and bottom. Dryer is shipped exhausted to the rear. Alternate exhausting knockouts are supplied.

Power Cord Locations

5.8, 6.0 and 7.0 cu. ft. Dryers



Listed by Underwriters Laboratories

Washer and Dryer Specifications

GE® Unitized Spacemaker® washers and dryers

	Electric		WSM2700D		WSM2420D	
	Gas		WSM2780D		WSM2480D	
Washer	Washer	Dryer	Washer	Dryer	Washer	Dryer
Capacity						
Capacity	X-Large/2.7	X-Large/2.7	Compact/1.9	Compact/1.9		
Features						
Wash/spin speed combinations	1		2			
Wash/rinse temperatures	3		3			
Water levels	3		3			
Number of wash cycles	3		3			
Regular	●		●			
Perm. Press	●		●			
Delicates	●		●			
Unbalanced load control	●		●			
Lint filter	●		●			

Dryer

Features				
Automatic dry control		●		●
Number of dry cycles		4		4
Auto Regular		●		●
Auto Perm Press				●
Delicates		●		
Timed		●		●
Air Fluff		●		●
Control location		Mid-Band		Mid-Band
Exhaust options		Rear		Rear/Sides

Appearance

Colors available†	WW/CC		WW/CC	
	WW		WW	
Weight & Dimensions				
Dimensions	75-1/2 x 27 x 30-13/16*		71-3/4 x 23-7/8 x 27-1/4*	
(HxWxD in inches)				
Approx. shipping wt. (lbs.)	300		238	

*Depth dimension assumes water hook-up is recessed in the wall.

†WW = White on white, CC = Bisque on bisque

Note: The third prong on the WSM2780W plug configuration is a flat spade type rather than a typical round probe. It requires a matching wall outlet.

Electrical requirements

WSM2700D: Electric dryer—This appliance should be connected to an individual, properly-grounded branch circuit with 120/240V or 120/208V single-phase 60 Hz electrical service and should be protected by 30-amp time-delay fuses or circuit breakers. This appliance is manufactured with neutral connected to the frame. Power cord should be purchased separately.

WSM2420D: Electric dryer—This appliance should be connected to an individual, properly-grounded branch circuit with 120/240V or 120/208V single-phase 60 Hz electrical service and should be protected by 30-amp time-delay fuses or circuit breakers. This appliance is manufactured with neutral connected to the frame. Power cord should be purchased separately.

NOTE: THESE APPLIANCES ARE NOT APPROVED FOR 120-VOLT OPERATION.

WSM2480D: Gas dryer—This appliance should be connected to an individual, properly-grounded branch circuit with a three-prong grounding-type receptacle and 120-volt single-phase 60 Hz electrical service and should be protected by 15 or 20-amp time-delay fuses or circuit breakers. This appliance is equipped with a 6-foot long flexible U.L. listed 20-amp power cord to match a 15-amp receptacle.

Gas rated input 10,500 BTU/HR. Factory equipped for natural gas. Tested for LP gas.

WSM2780D: Gas dryer—This appliance should be connected to an individual branch circuit with 120-volt single-phase 60 Hz electrical service and should be protected by 20-amp time-delay fuses or circuit breakers. This appliance is equipped with a 4-foot long flexible U.L. listed 20-amp power cord to match a 20-amp receptacle.

WSM2780D Gas Rated input 20,000 BTU/HR. Factory equipped for natural gas.

LP gas supply requires a conversion kit.

Kits:

WSM2780D-WE25X10017

WSM2480D-WE25X0219

Have a qualified gas technician install a conversion kit before use.

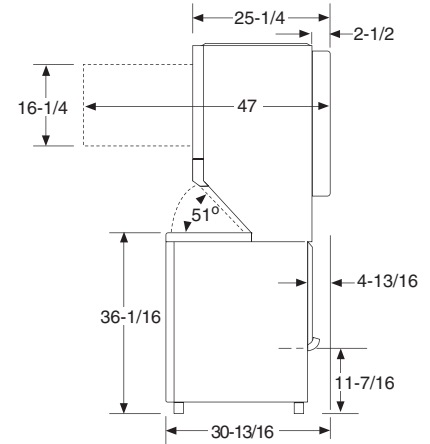
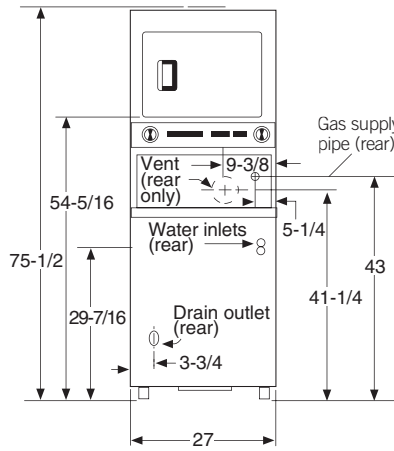
Exhaust information

See "Dryer Exhausting Information" on page 61.

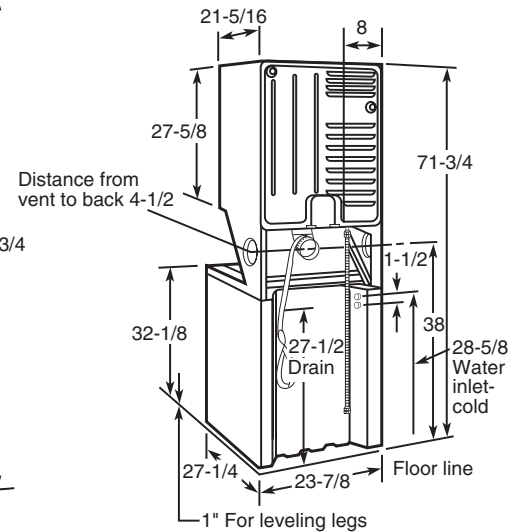
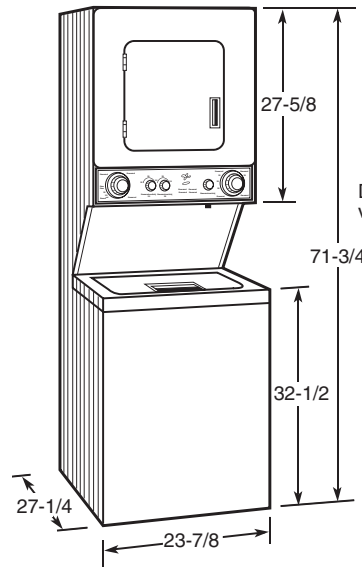
For complete information see installation instructions packed with the product.

See page 75 for warranty information.

Models WSM2700D and WSM2780D Dimensions (in inches)



Models WSM2420D and WSM2480D Dimensions (in inches)



Dryer exhausting information

For complete information see installation instructions packed with dryer.

Important note:

GE Kit Number 14-A018 needed when converting rear exhaust to bottom or side. (On Extra-large (5.7) capacity models only.)

Ducting materials

For best performance, this dryer should be vented with 4" diameter all rigid metal exhaust duct. If "all rigid metal" duct cannot be used, then "flexible all metal" venting can be used, but it will reduce the maximum recommended duct length. The following kit or parts are available from your local service organization.

Kit WX8X75—7' aluminum duct and 4' hood, short tail.

(OR individual parts):

WX8X65 7' aluminum flex duct only

WX8X58 4' clamps (2)

WX8X67 4' exhaust hood

See installation instructions for complete information.

Exhaust length calculation:

1. Determine the number of 90° turns needed for your installation. If you exhaust to the side or bottom of dryer, add one turn.

2. The maximum length of 4' rigid (aluminum or galvanized) duct which can be tolerated is shown in the table. The maximum lengths for flexible ducts are less than for rigid duct. See table in installation instructions. A turn of 45° or less may be ignored. Two 45° turns within the duct length should be treated as a 90° elbow. A turn over 45° should be treated as a 90° elbow.

Exhausting the dryer to the outside is strongly recommended to prevent large amounts of moisture and lint from being blown into the room. Gas dryers or any dryer located in a closet must be exhausted to the outside.

Caution: For personal safety do not terminate exhaust into a chimney, under any enclosed house floor (crawl space), or into an attic, since the accumulated lint could create a fire hazard or moisture could cause damage. Never terminate the exhaust into a common duct or plenum with a kitchen exhaust, since the combination of lint and grease could create a fire hazard.

Exhaust ducts should be terminated in a dampered wall cap to prevent back drafts, bird nesting, etc. The wall cap must also be located at least 12" above the ground or any other obstruction with the opening pointed down. Other terminations, such as louvered wall boxes, are acceptable provided they are equivalent to a 4" opening dampered wall cap.

Special installation requirements

Alcove or closet installation:

- If your dryer is approved for installation in an alcove or closet, it will be stated on a label on the dryer back.
- The dryer **MUST** be exhausted to the outdoors. See EXHAUST INFORMATION above and installation instructions.
- Minimum clearances between dryer cabinet and adjacent walls or other surfaces are:
 - 0" either side
 - 3" front and rear
- Minimum vertical space from floor to overhead cabinets, ceilings, etc. is 52".
- Closet doors must be louvered or otherwise ventilated and must contain a minimum of 60 sq. in. of open area equally distributed. If this closet contains both a washer and a dryer, doors must contain a minimum of 120 sq. in. of open area equally distributed.
- The closet should be vented to the outdoors to prevent gas pocketing in case of a gas leak in the supply line.
- No other fuel-burning appliance shall be installed in the same closet with the dryer.

Bathroom or bedroom installation:

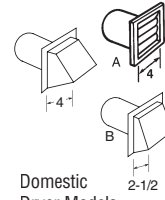
- The dryer **MUST** be exhausted to the outdoors. See installation instructions.
- The installation must conform with the local codes, or in the absence of local codes, with the National Fuel Gas Code, ANSI Z223.

Minimum clearances other than alcove or closet installations

- Minimum clearances to combustible surfaces:
 - 0" both sides
 - 3" rear

For more information on venting kits and accessories, please call 1-800-GE-CARES.

Dryer Exhausting Information—Use Metal Duct Only Vertical and Horizontal Ducting



	Number of 90° Turns	Best Performance			
		Maximum Length of 4" Dia. Rigid Metal Duct		Maximum Length of 4" Dia. Flexible Metal Duct	
		Exhaust Hood Type		Exhaust Hood Type	
		A 4" Opening	B 2-1/2" Opening	A 4" Opening	B 2-1/2" Opening
Domestic Dryer Models	0	90 ft.	60 ft.	55 ft.	45 ft.
	1	60 ft.	45 ft.	40 ft.	30 ft.
7.0, 6.0 and 5.8 Capacity Models	2	45 ft.	35 ft.	30 ft.	20 ft.
all Electric Dryers	3	35 ft.	25 ft.	20 ft.	15 ft.
	4	25 ft.	15 ft.	15 ft.	10 ft.
7.0, 6.0 and 5.8 Capacity Models	0	90 ft.	60 ft.	55 ft.	45 ft.
	1	60 ft.	45 ft.	40 ft.	30 ft.
all Gas Dryers	2	45 ft.	35 ft.	30 ft.	20 ft.
	3	25 ft.	20 ft.	15 ft.	10 ft.
Spacemaker® Models	0	46 ft.	37 ft.	30 ft.	24 ft.
DSKS433EB	1	38 ft.	30 ft.	25 ft.	20 ft.
DSKP333EC	2	31 ft.	22 ft.	20 ft.	14 ft.
WSM2780D	3	24 ft.	15 ft.	16 ft.	10 ft.
	0	56 ft.	42 ft.	30 ft.	22 ft.
	1	46 ft.	36 ft.	22 ft.	14 ft.
Spacemaker Model	2	34 ft.	28 ft.	16 ft.	10 ft.
WSM2700D	3	32 ft.	18 ft.	10 ft.	5 ft.
Spacemaker Models	0	43 ft.	36 ft.	30 ft.	24 ft.
WSM2420D	1	33 ft.	26 ft.	24 ft.	18 ft.
WSM2480D	2	23 ft.	16 ft.	16 ft.	10 ft.



Listed by
Underwriters
Laboratories

GE® Air Conditioning

GE ENERGY STAR®-Qualified Electronic Room Air Conditioners



- ENERGY STAR®-qualified
- 3 Cool/3 fan speeds
- Electronic thermostat with remote
- Slide-out chassis
- 24-Hour timer
- Auto circulaire™
- Energy saver feature
- Ez mount window kit
- Power interruption restart



AGM24DH

- 23,800/23,300 BTU, 9.4/9.4 EER, 230/208 Volts (Top discharge unit)

AGM18DH

- 17,800/17,300 BTU, 10.7/10.7 EER, 230/208 Volts

AGM14AH

- 13,800 BTU, 10.8 EER, 115 Volts

AGM12AH

- 12,000 BTU, 10.8 EER, 115 Volts

AGM10AH

- 10,000 BTU, 10.8 EER, 115 Volts



- ENERGY STAR-qualified
- 3 cool/3 fan speeds
- Electronic thermostat with remote
- Slide-out chassis
- 24-hour timer
- Auto Circulaire
- Energy Saver feature
- EZ Mount window kit
- Power interruption restart



AGM08LH

- 8,000 BTU, 10.8 EER, 115 Volts

AGM06LH

- 5,950 BTU, 10.7 EER, 115 Volts



- ENERGY STAR-qualified
- 3 cool/3 fan speeds
- Electronic thermostat with remote
- Fixed chassis
- 24-hour timer
- Energy Saver feature
- EZ Mount window kit
- Power interruption restart



AGM05LH

- 5,200 BTU, 10.7 EER, 115 Volts

GE Electronic Room Air Conditioners



- 3 cool/3 fan speeds
- Electronic thermostat with remote
- Slide-out chassis
- 12-hour timer
- Auto Circulaire
- Energy saver feature
- EZ Mount window kit
- Power interruption restart

AGQ24DH

- 23,800/23,300 BTU, 8.5/8.5 EER, 230/208 Volts

AGQ18DH

- 18,000/17,500 BTU, 9.7/9.7 EER, 230/208 Volts

AGQ14AH

- 13,800 BTU, 10.0 EER, 115 Volts



AGQ12AH

- 12,000 BTU, 9.8 EER, 115 Volts
(This model does not include Auto Circulaire or Energy saver feature)

AGQ12DH

- 12,000/11,500 BTU, 9.8/9.8 EER, 230/208 Volts
(This model does not include Auto Circulaire or Energy saver feature)



AGQ10AH

- 10,000 BTU, 9.8 EER, 115 Volts
(This model does not include Auto Circulaire or Energy saver feature)

AGQ08AH

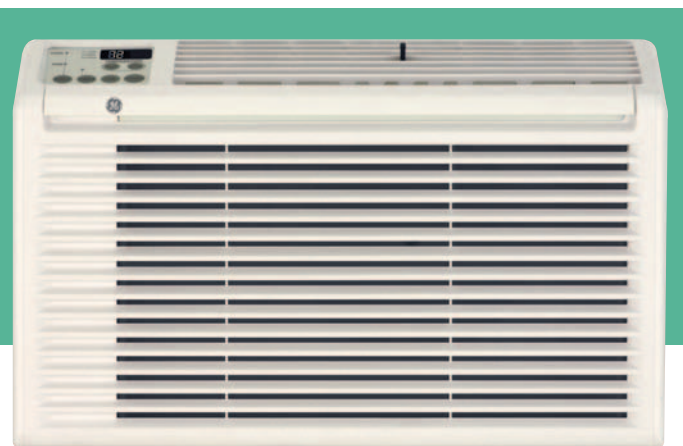
- 8,000 BTU, 9.8 EER, 115 Volts
(This model does not include Auto Circulaire or Energy saver feature)



- 3 cool/3 fan speeds
- Electronic thermostat with remote
- Fixed chassis
- 12-hour timer
- EZ Mount window kit
- Power interruption restart

AGQ06LH

- 6,000 BTU, 9.7 EER, 115 Volts



- 3 cool/3 fan speeds
- Electronic thermostat with remote
- Fixed chassis
- 12-hour timer
- EZ Mount window kit
- Power interruption restart

AGQ05LH

- 5,150 BTU, 9.7 EER, 115 Volts

GE® Air Conditioning

GE ENERGY STAR®-Qualified Mechanical Room Air Conditioners



- 3 cool/2 fan speeds
- 8-position thermostat
- Slide-out chassis
- Auto Circulaire™
- Energy Saver feature
- EZ Mount window kit

AGV24DH

- 23,800/23,300 BTU, 8.5/8.5 EER, 230/208 Volts

AGV14AH

- 13,800 BTU, 10.0 EER, 115 Volts

AGV18DH

- 18,000/17,500 BTU, 9.7/9.7 EER, 230/208 Volts



- 3 cool/2 fan speeds
- 8-position thermostat
- Slide-out chassis
- EZ Mount window kit

AGV12AH

- 12,000 BTU, 9.8 EER, 115 Volts

AGV08AH

- 8,000 BTU, 9.8 EER, 115 Volts

AGV10AH

- 10,000 BTU, 9.8 EER, 115 Volts

GE Mechanical Room Air Conditioners



- 3 cool/2 fan speeds
- 8-position thermostat
- Fixed chassis
- EZ Mount window kit

AGV06LH

- 6,000 BTU, 9.7 EER, 115 Volts



- 2 cool/2 fan speeds
- Adjustable thermostat
- Fixed chassis
- EZ Mount window kit

AGV05LH

- 5,150 BTU, 9.7 EER, 115 Volts

- ENERGY STAR®-qualified
- 3 cool/2 fan speeds
- 8-position thermostat
- Fixed chassis
- EZ Mount window kit



AGF05LH

- 5,200 BTU, 10.7 EER, 115 Volts

GE® Air Conditioning

GE Slide-Aire



- 10-position thermostat
- Vertical slider kit panel
- Multiple cooling and fan speeds
- Four-way adjustable air discharge

AGX10AH

- 10,000 BTU, 9.5 EER, 115 Volts

AGX08FH

- 8,000 BTU, 9.5 EER, 115 Volts

GE Heat/Cool Series



- Multiple cooling/heating speeds
- Vent/Exhaust
- Adjustable thermostat
- Auto Circulaire™
- Four-way adjustable air discharge
- Easy access filter

AGE21DH

- 21,000/20,500 BTU, 8.5/8.5 EER, 11,600/9,400 BTUH Heat, 230/208 Volts

AGE18DH

- 18,000/17,500 BTU, 9.7/9.7 EER, 11,600/9,400 BTUH Heat, 230/208 Volts

AGE14DH

- 14,000/13,500 BTU, 9.7/9.7 EER, 11,600/9,400 BTUH Heat, 230/208 Volts

AGE12DH

- 12,000/11,500 BTU, 9.8/9.8 EER, 11,200/9,200 BTUH Heat, 230/208 Volts
(This model does not include Auto Circulaire)

AGE07AH

- 6,900 BTU, 9.7 EER, 3,850 BTUH Heat, 115 Volts
(This model does not include Auto Circulaire)

GE Dehumidifiers



- ENERGY STAR®-qualified
- Automatic humidistat control
- Electronic controls
- Automatic shut-off system with bucket full indicator
- Easy roll casters
- External drain connector
- Automatic defrost control

AHG50LH

- 50 pints per day

AHG40LH

- 40 pints per day

AHG30LH

- 30 pints per day
(Not an ENERGY STAR model)



Control panel

GE Portable



- Contemporary design
- Electronic controls
- Digital temperature readout
- 3 cool/3 fan speeds
- 24-hour timer
- Auto Circulaire
- Easy roll casters
- Adjustable exhaust hose
- Self evaporating condensate removal

APH10AA

- 10,000 BTU, 120 Volts



Control panel

GE Low Profile Air Conditioner



- Contemporary design
- Electronic controls
- Digital temperature readout
- 3 cool/3 fan speeds
- 12-hour timer

AGP07LH

- 6,650 BTU, 9.8 EER, 115 Volts



Control panel

GE® Built-In Air Conditioning

GE Standard-Mount Electronic Cool Only



- ENERGY STAR®-qualified
- Electronic control with remote
- Electronic digital thermostat
- Four-way air direction
- Up-front, washable air filter
- 3 cool/3 fan speeds
- Power interruption restart



- AJCQ06LCB**
● 6,000 BTU, 10.0 EER, 115 Volts
- AJCQ08ACB**
● 8,000 BTU, 9.5 EER, 115 Volts
- AJCQ10ACB**
● 9,900 BTU, 9.5 EER, 115 Volts

- AJCQ10DCB**
● 9,900/9,700 BTU, 9.5/9.5 EER, 230/208 Volts
- AJCQ12DCB**
● 11,600/11,400 BTU, 9.5/9.5 EER, 230/208 Volts

GE Standard-Mount Cool Only



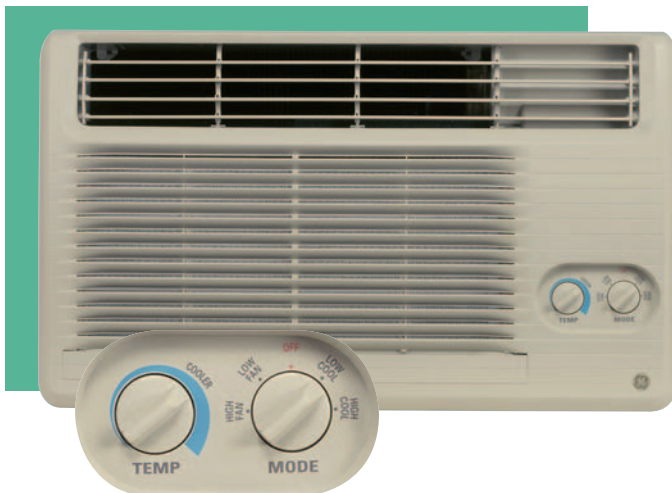
- ENERGY STAR®-qualified
- Mechanical controls
- Variable position thermostat
- Four-way air direction
- Up-front, washable air filter
- 2 cool/2 fan speeds



- AJCS06LCB**
● 6,000 BTU, 10.0 EER, 115 Volts
- AJCS08ACB**
● 8,000 BTU, 9.5 EER, 115 Volts
- AJCS10ACB**
● 9,900 BTU, 9.5 EER, 115 Volts
- AJCS09DCB**
● 8,900/8,700 BTU, 9.5/9.5 EER, 230/208 Volts

- AJCS10DCB**
● 9,900/9,700 BTU, 9.5/9.5 EER, 230/208 Volts
- AJCS12DCB**
● 11,600/11,400 BTU, 9.5/9.5 EER, 230/208 Volts

GE High-Mount Cool Only



- ENERGY STAR®-qualified
- Mechanical controls
- Variable position thermostat
- Four-way air direction
- Up-front, washable air filter
- 2 cool/2 fan speeds

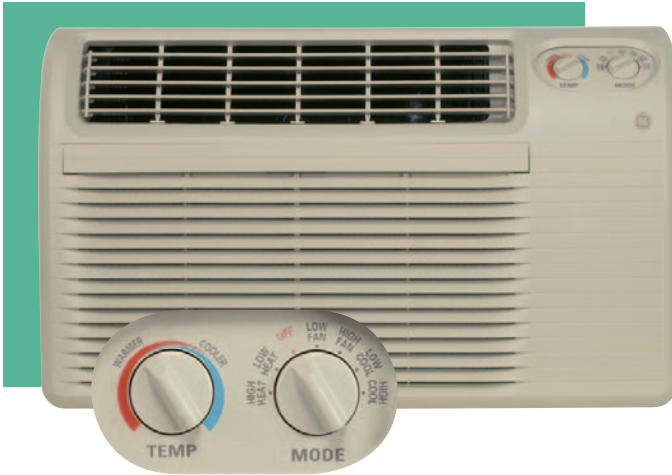


- AJCH08ACB**
● 8,000 BTU, 9.5 EER, 115 Volts
- AJCH10ACB**
● 9,900 BTU, 9.5 EER, 115 Volts

- AJCH10DCB**
● 9,900/9,700 BTU, 9.5/9.5 EER, 230/208 Volts
- AJCH12DCB**
● 11,600/11,400 BTU, 9.5/9.5 EER, 230/208 Volts

Complete features and specifications on pages 73.

GE Standard-Mount Heat/Cool



- Mechanical controls
- Variable position thermostat
- Four-way air direction
- Up-front, washable air filter
- 2 cool/2 heat/2 fan only speeds

AJES06LSB

- 6,000 BTU cool, 4,100 BTU heat, 10.0 EER rating, 115 Volts

AJES08ASB

- 8,000 BTU cool, 4,100 BTU heat, 9.5 EER, 115 Volts

AJES10DSB

- 9,900/9,700 BTU cool, 11,600/9,500 BTU heat, 9.5/9.5 EER, 230/208 Volts

AJES09DCB

- 8,900/8,700 BTU cool, 11,600/9,500 BTU heat, 9.5/9.5 EER, 230/208 Volts

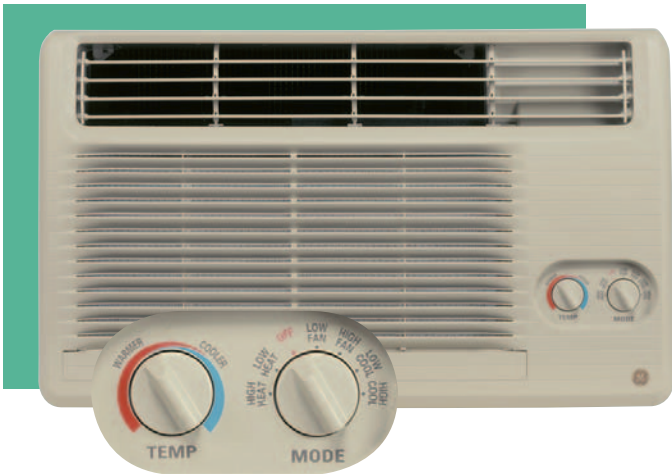
AJES10DCB

- 9,900/9,700 BTU cool, 11,600/9,500 BTU heat, 9.5/9.5 EER, 230/208 Volts

AJES12DCB

- 11,600/11,400 BTU cool, 11,600/9,500 BTU heat, 9.5/9.5 EER, 230/208 Volts

GE High-Mount Heat/Cool

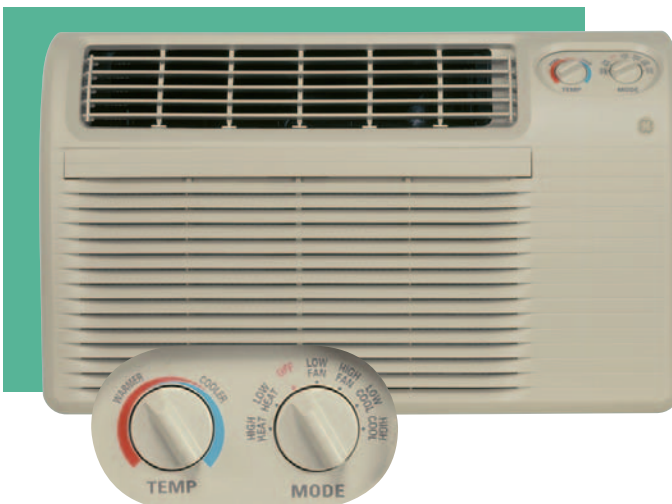


- Mechanical controls
- Variable position thermostat
- Four-way air direction
- Up-front, washable air filter
- 2 cool/2 heat/2 fan only speeds

AJEH12DCB

- 11,600/11,400 BTU cool, 11,600/9,500 BTU heat, 9.5/9.5 EER, 230/208 Volts

GE Heat Pump



- Mechanical controls
- Variable position thermostat
- Four-way air direction
- Up-front, washable air filter
- 2 cool/2 heat/2 fan only speeds

AJHS08ASB

- 8,000 BTU cool, 7,700 BTU pump, 4,100 BTU heat, 9.5 EER, 115 Volts

AJHS08DCB

- 8,000/7,800 BTU cool, 7,700/7,500 BTU pump, 11,600/9,500 BTU heat, 9.5/9.5 EER, 230/208 Volts

AJHS10DCB

- 9,900/9,700 BTU cool, 9,700/9,500 BTU pump, 11,600/9,500 BTU heat, 9.5/9.5 EER, 230/208 Volts

Complete features and specifications on pages 73.

Room Air Conditioners Specifications (Preliminary)

GE® ENERGY STAR®-Qualified Electronic	Deluxe 230 Volt		Deluxe 115 Volt						
	AGM24DH	AGM18DH	AGM14AH	AGM12AH	AGM10AH	AGM08LH	AGM06LH	AGM05LH	
Features									
ENERGY STAR®-qualified	●	●	●	●	●	●	●	●	●
BTUH	23,800/23,300	17,800/17,300	13,800	12,000	10,000	8,000	5,950	5,200	
Voltage	230/208	230/208	115	115	115	115	115	115	115
E.E.R. (BTUH/Watt)	9.4/9.4	10.7/10.7	10.8	10.8	10.8	10.8	10.7	10.7	10.7
Amps	TBD	7.4/7.9	12.0	10.2	8.5	6.8	5.0	4.4	
Watts	TBD	1,660/1,620	1,280	1,110	920	740	550	480	
Plug Type	Perpendicular	Tandem/Right Angle	Parallel/Right Angle	Parallel/Right Angle	Parallel/Right Angle	Parallel/Right Angle	Parallel/Right Angle	Parallel/Right Angle	Parallel/Right Angle
Energy Saver Feature	●	●	●	●	●	●	●	●	●
Dehumidification (pints/hr.)	TBD	4.6	4.6	3.3	3.3	2.3	1.8	1.4	
Auto Circulaire™	●	●	●	●	●	●	●	●	
Fan Speeds (Cool/Fan Only)	3/3	3/3	3/3	3/3	3/3	3/3	3/3	3/3	3/3
CFM (High Shown) (Indoor)	TBD	445	350	300	270	240	210	140	
Vent/exhaust	Exhaust	Exhaust	Exhaust	Exhaust	Exhaust	Exhaust	Exhaust	Exhaust	
Thermostat	Electronic	Electronic	Electronic	Electronic	Electronic	Electronic	Electronic	Electronic	Electronic
Filter Type	Rigid Frame/Slide-Out	Rigid Frame/Slide-Out	Rigid Frame/Slide-Out	Rigid Frame/Slide-Out	Rigid Frame/Slide-Out	Rigid Frame/Slide-Out	Rigid Frame/Slide-Out	Rigid Frame/Slide-Out	Rigid Frame/Slide-Out
Chassis	Slide-Out	Slide-Out	Slide-Out	Slide-Out	Slide-Out	Slide-Out	Slide-Out	Slide-Out	Fixed
Window Mounting	EZ Mount	EZ Mount	EZ Mount	EZ Mount	EZ Mount	EZ Mount	EZ Mount	EZ Mount	EZ Mount
Window Opening Height (min. in inches)	18	18	16	16	16	14	14	13	
Window Opening Width (in inches) min.	29	29	27	27	27	22	22	22	22
max.	41	41	39	39	39	36	36	36	36
Warranty* (Entire Unit)	Full 1-Yr.	Full 1-Yr.	Full 1-Yr.	Full 1-Yr.	Full 1-Yr.	Full 1-Yr.	Full 1-Yr.	Full 1-Yr.	Full 1-Yr.
Warranty* (Sealed Ref. System)	Full 5-Yr.	Full 5-Yr.	Full 5-Yr.	Full 5-Yr.	Full 5-Yr.	Full 5-Yr.	Full 5-Yr.	Full 5-Yr.	Full 5-Yr.
Case Dimensions									
Height (in inches) A	TBD	16-27/32	16-27/32	15	15	13-7/8	13-7/8	12-9/32	
Width (in inches) B	TBD	26	26	23-5/8	23-5/8	18-9/16	18-9/16	18-9/16	18-9/16
Depth (in inches) C	TBD	24-15/16	24-15/16	20-9/32	20-9/32	19-5/32	19-5/32	13-27/32	13-27/32
Depth to louvers (in inches) D	TBD	10-5/16	10-5/16	8-5/8	8-5/8	8-1/4	8-1/4	6-1/4	6-1/4
Net Weight (lbs.)	TBD	124	124	80	79	62	57	46	46
Approx. Shipping Weight (lbs.)	TBD	134	134	89	87	68	63	50	50

GE Electronic	230 Volt			115 Volt					
	AGQ24DH	AGQ18DH	AGQ12DH	AGQ14AH	AGQ12AH	AGQ10AH	AGQ08AH	AGQ06LH	AGQ05LH
Features									
BTUH	23,800/23,300	18,000/17,500	12,000/11,500	13,800	12,000	10,000	8,000	6,000	5,150
Voltage	230/208	230/208	230/208	115	115	115	115	115	115
E.E.R. (BTUH/Watt)	8.5/8.5	9.7/9.7	9.8/9.8	10.0	9.8	9.8	9.8	9.7	9.7
Amps	12.2/11.0	8.2/8.9	5.5/5.8	12.0	11.0	9.2	7.6	5.8	4.9
Watts	2,480/2,530	1,850/1,800	1,220/1,170	1,380	1,220	1,020	820	620	530
Plug Type	Perpendicular	Tandem	Tandem	Parallel/Right Angle	Parallel/Right Angle	Parallel/Right Angle	Parallel/Right Angle	Parallel/Right Angle	Parallel/Right Angle
Energy Saver Feature	●	●	●	●	●	●	●	●	●
Dehumidification (pints/hr.)	7.5	5.5	3.3	4.6	3.3	3.0	2.3	1.5	1.5
Auto Circulaire™	●	●	●	●	●	●	●	●	●
Fan Speeds (Cool/Fan Only)	3/3	3/3	3/3	3/3	3/3	3/3	3/3	3/3	3/3
CFM (High Shown) (Indoor)	560	440	280	350	310	250	230	140	140
Vent/exhaust	Exhaust	Exhaust	Exhaust	Exhaust	Exhaust	Exhaust	Exhaust	Exhaust	Exhaust
Thermostat	Electronic	Electronic	Electronic	Electronic	Electronic	Electronic	Electronic	Electronic	Electronic
Filter Type	Rigid Frame/Slide-Out	Rigid Frame/Slide-Out	Rigid Frame/Slide-Out	Rigid Frame/Slide-Out	Rigid Frame/Slide-Out	Rigid Frame/Slide-Out	Rigid Frame/Slide-Out	Rigid Frame/Slide-Out	Rigid Frame/Slide-Out
Chassis	Slide-Out	Slide-Out	Slide-Out	Slide-Out	Slide-Out	Slide-Out	Slide-Out	Fixed	Fixed
Window Mounting	EZ Mount	EZ Mount	EZ Mount	EZ Mount	EZ Mount	EZ Mount	EZ Mount	EZ Mount	EZ Mount
Window Opening Height (min. in inches)	18	18	16	16	16	14	14	13	12
Window Opening Width (in inches) min.	29	29	27	27	27	22	22	22	21
max.	41	41	39	39	39	36	36	36	35
Warranty* (Entire Unit)	Full 1-Yr.	Full 1-Yr.	Full 1-Yr.	Full 1-Yr.	Full 1-Yr.	Full 1-Yr.	Full 1-Yr.	Full 1-Yr.	Full 1-Yr.
Warranty* (Sealed Ref. System)	Full 5-Yr.	Full 5-Yr.	Full 5-Yr.	Full 5-Yr.	Full 5-Yr.	Full 5-Yr.	Full 5-Yr.	Full 5-Yr.	Full 5-Yr.
Case Dimensions									
Height (in inches) A	16-27/32	16-27/32	15	15	15	13-7/8	13-7/8	12-9/32	11-1/8
Width (in inches) B	26	26	23-5/8	23-5/8	23-5/8	18-7/16	18-7/16	18-9/16	17-5/16
Depth (in inches) C	28-21/32	24-15/16	20-9/32	20-9/32	20-9/32	19-5/32	19-5/32	13-27/32	12-3/8
Depth to louvers (in inches) D	10-5/16	10-5/16	8-5/8	8-5/8	8-5/8	8-1/4	8-1/4	6-1/4	4-1/8
Net Weight (lbs.)	146	117	80	87	79	69	60	46	40
Approx. Shipping Weight (lbs.)	176	127	89	96	87	75	66	50	44

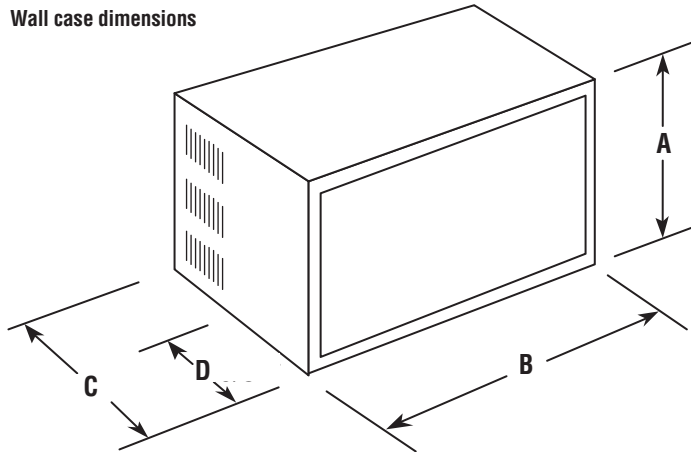
See page 75 for warranty information.

Room Air Conditioners Specifications (Preliminary)

GE Mechanical	230 Volt		Deluxe 115 Volt	115 Volt						
	AGV24DH	AGV18DH	AGF05LH	AGV14AH	AGV12AH	AGV10AH	AGV08AH	AGV06LH	AGV05LH	
Features										
ENERGY STAR®-qualified			●							
BTUH	23,800/23,300	18,000/17,500	5,200	13,800	12,000	10,000	8,000	6,000	5,150	
Voltage	230/208	230/208	115	115	115	115	115	115	115	
E.E.R. (BTUH/Watt)	8.5/8.5	9.7/9.7	10.7	10.0	9.8	9.8	9.8	9.7	9.7	
Amps	12.2/11.0	8.2/8.9	4.4	12.0	11.0	9.2	7.6	5.8	4.9	
Watts	2,480/2,530	1,850/1,800	480	1,380	1,220	1,020	820	620	530	
Plug Type	Perpendicular	Tandem	Parallel	Parallel	Parallel	Parallel	Parallel	Parallel	Parallel	
Energy Saver Feature	●	●		●						
Dehumidification (pints/hr.)	7.5	5.5	1.5	4.6	3.3	3.0	2.3	1.5	1.5	
Auto Circulaire™	●	●		●						
Fan Speeds (Cool/Fan Only)	3/2	3/2	3/2	3/2	3/2	3/2	3/2	3/2	2/2	
CFM (High Shown) (Indoor)	560	440	140	350	310	250	230	140	140	
Vent/exhaust	Exhaust	Exhaust		Exhaust	Exhaust	Exhaust	Exhaust			
Thermostat	8-Position	8-Position	8-Position	8-Position	8-Position	8-Position	8-Position	8-Position	Adjustable	
Filter Type	Rigid Frame/ Slide-Out	Rigid Frame/ Slide-Out	Rigid Frame/ Slide-Out	Rigid Frame/ Slide-Out	Rigid Frame/ Slide-Out	Rigid Frame/ Slide-Out	Rigid Frame/ Slide-Out	Rigid Frame/ Slide-Out	Rigid Frame/ Slide-Out	
Chassis	Slide-Out	Slide-Out	Fixed	Slide-Out	Slide-Out	Slide-Out	Slide-Out	Fixed	Fixed	
Window Mounting	EZ Mount	EZ Mount	EZ Mount	EZ Mount	EZ Mount	EZ Mount	EZ Mount	EZ Mount	EZ Mount	
Window Opening Height (min. in inches)	18	18	13	16	16	14	14	13	12	
Window Opening Width (in inches)										
min.	29	29	22	27	27	22	22	22	21	
max.	41	41	36	39	39	36	36	36	35	
Warranty* (Entire Unit)	Full 1-Yr.	Full 1-Yr.	Full 1-Yr.	Full 1-Yr.	Full 1-Yr.	Full 1-Yr.	Full 1-Yr.	Full 1-Yr.	Full 1-Yr.	
Warranty* (Sealed Ref. System)	Full 5-Yr.	Full 5-Yr.	Full 5-Yr.	Full 5-Yr.	Full 5-Yr.	Full 5-Yr.	Full 5-Yr.	Full 5-Yr.	Full 5-Yr.	
Case Dimensions										
Height (in inches)	A	16-27/32	16-27/32	12-9/32	15	15	13-7/8	13-7/8	12-9/32	11-1/8
Width (in inches)	B	26	26	18-9/16	23-5/8	23-5/8	18-7/16	18-7/16	18-9/16	17-5/16
Depth (in inches)	C	28-21/32	24-15/16	13-27/32	22-1/2	22-1/2	19-5/32	19-5/32	13-27/32	12-3/8
Depth to louvers (in inches)	D	10-5/16	10-5/16	6-1/4	8-5/8	8-5/8	8-1/4	8-1/4	6-1/4	4-1/8
Net Weight (lbs.)		146	117	46	87	79	69	60	46	40
Approx. Shipping Weight (lbs.)		158	127	50	96	87	75	66	50	44

*See written warranty for details.

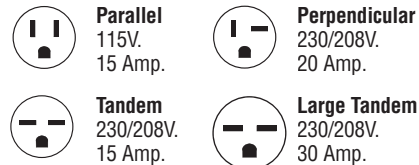
Wall case dimensions



D = Distance from front of case to side louvers (excluding grille).

Note: When installing slide out chassis units in through-the-wall applications, keep louvers free. Do not restrict air flow areas. Fixed chassis units are not suitable for through-the-wall applications.

Wall outlets



Wall Outlets

All wiring, including installation of receptacle, must be made in accordance with local electrical codes and regulations. Electrical outlet should be in reach of line cord.

Note: Aluminum building wiring may pose special problems— consult a qualified electrician.

Room Air Conditioners Specifications (Preliminary)

GE® Slide-Aire	AGX10AH	AGX08FH
Features		
BTUH	10,000	8,000
Voltage	115	115
E.E.R. (BTUH/Watt)	9.5	9.5
Amps	9.6	7.7
Watts	1,050	840
Plug Type	Parallel	Parallel
Dehumidification (pints/hr.)	3.5	2.3
Fan Speeds (Cool/Fan Only)	3/2	3/2
CFM (High Shown) (Indoor)	280	250
Vent/exhaust	Exhaust	Exhaust
Thermostat	10-Position	10-Position
Filter Type	Rigid frame/ Slide-out	Rigid frame/ Slide-out
Chassis	Fixed	Fixed
Window Mounting	V-Std. Mount	V-Std. Mount
	min. 21-1/2	21-1/2
Window Opening Height	max. 40-1/2	40-1/2
Window Opening Width (in inches) min.	15-1/2	15-1/2
Warranty* (Entire Unit)	Full 1-Yr.	Full 1-Yr.
Warranty* (Sealed Ref. System)	Full 5-Yr.	Full 5-Yr.
Case Dimensions		
Height (in inches)	A 20-1/2	20-1/2
Width (in inches)	B 14-1/2	14-1/2
Depth (in inches)	C 23	23
Depth to louvers (in inches)	D 9	9
Net Weight (lbs.)	76-1/4	64
Approx. Shipping Weight (lbs.)	88.5	76.3

Heat/Cool Series	AGE21DH	AGE18DH	AGE14DH	AGE12DH	AGE07AH
Model	AGE21DH	AGE18DH	AGE14DH	AGE12DH	AGE07AH
Voltage	230/208	230/208	230/208	230/208	115
Cooling Capacity					
BTUH-AHAM	21,000/20,500	18,000/17,500	14,000/13,500	12,000/11,500	6,900
Amps-AHAM	10.8/11.8	8.3/9.0	6.4/6.8	5.5/5.8	6.6
Watts Input	2,470/2,410	1,850/1,800	1,440/1,390	1,220/1,170	710
EER	8.5/8.5	9.7/9.7	9.7/9.7	9.8/9.89	9.7
Dehumidification (Pts./Hr.)	6.3	5.5	4.6	3.3	2.3
Electric Resistance Heating					
BTUH	11,600/9,400	11,600/9,400	11,600/9,400	11,200/9,200	3,850
Amps	16/15	16/15	16/15	15.3/14	11.0
Watts Input @ 230V	3,720/3,150	3,670/3,100	3,670/3,100	3,500/2,900	1,260
Features					
Line Cord Plug	Perp.	Perp.	Perp.	Perp.	Perp.
Recommended Circuit Protection (Time Delay)	20 Amps	20 Amps	20 Amps	20 Amps	20 Amps
Fan Speeds, Heating/Cooling	2/2	2/2	2/2	2/2	2/2
Fan Only Setting	1	1	1	1	1
Air Flow (CFM) Roomside Hi/Low	405	425	434	300	205
Air Exchange Exhaust	●	●	●	●	●
Rotary Compressor	●	●	●	●	●
Slide-Out Chassis	●	●	●	●	●
Window Installation Kit	EZ Mount	EZ Mount	EZ Mount	EZ Mount	EZ Mount
Approximate Net Weight (Lbs.)	135	120	112	90	69
Approximate Shipping Wt. (Lbs.)	143	133	125	96	75

GE Dehumidifiers	ENERGY STAR® AHG50LH	ENERGY STAR AHG40LH	AHG30LH
Features			
Dehumidification (pints/day)	50	40	30
Dry Airflow (CFM)	125/115	125/115	140/127
Color	Cameo White	Cameo White	Cameo White
Auto Shut Off	●	●	●
Automatic Defrost	●	●	●
Water Full indicator	●	●	●
Fan speeds	2	2	2
Removable bucket	●	●	●
Bucket capacity (pints)	21	21	21
External drain connector	●	●	●
Casters - 4 movable	●	●	●
Voltage	115	115	115
Watts	600	580	480
Amps	6.0	5.4	5.8
Circuit size (Amps)	15	15	15
Plug type	Parallel	Parallel	Parallel
Case Dimensions			
Height (in inches)	20-7/8	20-7/8	20-7/8
Width (in inches)	12-5/8	12-5/8	12-5/8
Depth (in inches)	17-1/8	17-1/8	17-1/8
Shipping weight (lbs.)	43.2	40.1	52.6
Net weight (lbs.)	39.5	36.14	48.7

GE Portable Room	APH10AA
Features	
BTUH	10,000
Voltage	120
Amps	11.6
Plug Type	Parallel
Dehumidification (pints/hr.)	4.0
Timer	24-Hour
Fan Speeds (Cool/Fan Only)	3/3
Vent/exhaust	Exhaust
Thermostat	Electronic
Filter Type	Rigid frame/ Slide-out
Window Mounting	V-Std. Mount
Window Opening Height (min./max. in inches)	40-1/2
Window Opening Width (min. in inches)	28-2/5
Warranty* (Entire Unit)	Full 1-Yr.
Warranty* (Sealed Ref. System)	Full 5-Yr.
Case Dimensions	
Height (in inches)	33.3
Width (in inches)	17.7
Depth (in inches)	18.6
Net Weight (lbs.)	85.7
Approx. Shipping Weight (lbs.)	100.8

GE Low Profile	AGP07LH
Features	
BTUH	6,650
Voltage	115
E.E.R. (BTUH/Watt)	9.8
Amps	6.1
Watts	680
Plug Type	Parallel
Energy Saver Feature	
Dehumidification (pints/hr.)	TBD
Auto Circulaire™	
Fan Speeds (Cool/Fan Only)	3/3
CFM (High Shown) (Indoor)	212
Vent/exhaust	
Thermostat	Electronic
Filter Type	Rigid Frame/ Slide-out
Chassis	Fixed
Window Mounting	EZ Mount
Window Opening Height (min. in inches)	15-1/2
Window Opening Width (in inches) min.	21-1/2
max.	40-1/2
Warranty* (Entire Unit)	Full 1-Yr.
Warranty* (Sealed Ref. System)	Full 5-Yr.
Case Dimensions	
Height (in inches)	A 12
Width (in inches)	B 20-13/15
Depth (in inches)	C 18-1/32
Depth to louvers (in inches)	D TBD
Net Weight (lbs.)	55
Approx. Shipping Weight (lbs.)	62

*See written warranty for details.

Room Air Conditioners Specifications

GE Built-In "J" Series

	Electronic Units—cool only					Mechanical Units—cool only						High-Mount Units—cool only			
Models	AJCQ06LCB	AJCQ08ACB	AJCQ10ACB	AJCQ10DCB	AJCQ12DCB	AJCS06LCB	AJCS08ACB	AJCS10ACB	AJCS09DCB	AJCS10DCB	AJCS12DCB	AJCH08ACB	AJCH10ACB	AJCH10DCB	AJCH12DCB
ENERGY STAR®	●	●	●	●	●	●	●	●	●	●	●	●	●	●	●
Voltage	115	115	115	230/208	230/208	115	115	115	230/208	230/208	230/208	115	115	230/208	230/208
Cooling Capacity															
BTUH-AHAM	6000	8000	9900	9900/9700	11600/11400	6000	8000	9900	8900/8700	9900/9700	11600/11400	8000	9900	9900/9700	11600/11400
Amps-AHAM	5.7	7.9	9.7	4.9/5.3	5.8/6.3	5.7	7.9	9.7	4.2/4.6	4.9/5.3	5.8/6.3	7.9	9.7	4.9/5.3	5.8/6.3
Watts Input	600	840	1040	1040/1020	1220/1200	600	840	1040	935/915	1040/1020	1220/1200	840	1040	1040/1020	1220/1200
EER	10.0	9.5	9.5	9.5/9.5	9.5/9.5	10.0	9.5	9.5	9.5/9.5	9.5/9.5	9.5/9.5	9.5	9.5	9.5/9.5	9.5/9.5
Dehumidification (Pts./Hr.)	1.4	2.1	2.9	2.9	3.4	1.4	2.1	2.9	2.5	2.9	3.4	2.1	2.9	2.9	3.4
Features															
Line Cord Plug	Parallel	Parallel	Parallel	Tandem	Tandem	Parallel	Parallel	Parallel	Tandem	Tandem	Tandem	Parallel	Parallel	Tandem	Tandem
Recommended Circuit Protection (Time Delay)	15 Amps	15 Amps	15 Amps	15 Amps	15 Amps	15 Amps	15 Amps	15 Amps	15 Amps	15 Amps	15 Amps	15 Amps	15 Amps	15 Amps	15 Amps
Fan Speeds	3	3	3	3	3	2	2	2	2	2	2	2	2	2	2
Fan Only Setting	3	3	3	3	3	2	2	2	2	2	2	2	2	2	2
Air Flow (CFM)															
Roomside Hi/Low	212/184	240/212	282/254	282/254	304/279	212/184	240/212	282/254	282/254	282/254	304/279	240/212	282/254	282/254	304/279
Air Exchange Exhaust	●	●	●	●	●	●	●	●	●	●	●	●	●	●	●
Fan Cycle Switch	●	●	●	●	●	●	●	●	●	●	●	●	●	●	●
Rotary Compressor	●	●	●	●	●	●	●	●	●	●	●	●	●	●	●
Slide-Out Chassis	●	●	●	●	●	●	●	●	●	●	●	●	●	●	●
Installation	In Wall	In Wall	In Wall	In Wall	In Wall	In Wall	In Wall	In Wall	In Wall	In Wall	In Wall	In Wall	In Wall	In Wall	In Wall
Wall Case Required	RAB46/47/48	RAB46/47/48	RAB46/47/48	RAB46/47/48	RAB46/47/48	RAB46/47/48	RAB46/47/48	RAB46/47/48	RAB46/47/48	RAB46/47/48	RAB46/47/48	RAB46/47/48	RAB46/47/48	RAB46/47/48	RAB46/47/48
Approximate Net Weight (lbs.)	63	68	77	77	79	63	68	77	69	77	79	69	78	78	80
Approximate Shipping Wt. (lbs.)	72	77	86	86	88	72	77	86	79	86	88	78	87	87	89

GE Built-In "J" Series

	Heat/Cool Units						High-Mount	Heat Pumps		
Model	AJES06LSB*	AJES08ASB*	AJES10DSB	AJES09DCB	AJES10DCB	AJES12DCB	AJEH12DCB	AJHS08ASB*	AJHS08DCB	AJHS10DCB
Voltage	115	115	230/208	230/208	230/208	230/208	230/208	115	230/208	230/208
Cooling Capacity										
BTUH-AHAM	6000	8000	9900/9700	8900/8700	9900/9700	11600/11400	11600/11400	8000	8000/7800	9900/9700
Amps-AHAM	5.7	7.9	4.9/5.3	4.2/4.6	4.9/5.3	5.8/6.3	5.8/6.3	7.9	4.0/4.3	4.9/5.3
Watts Input	600	840	1040/1020	935/915	1040/1020	1220/1200	1220/1200	840	840/820	1040/1020
EER	10.0	9.5	9.5/9.5	9.5/9.5	9.5/9.5	9.5/9.5	9.5/9.5	9.5	9.5/9.5	9.5/9.5
Dehumidification (Pts./Hr.)	1.4	2.1	2.9	2.5	2.9	3.4	3.4	2.1	2.1	2.9
Reverse Cycle Heating										
BTU-AHAM								7700	7700/7500	9700/9500
C.O.P. at 47°F								3.0	3.0/3.0	3.0/3.0
Amps-AHAM								6.8	3.4/3.7	4.3/4.7
Watts Input								750	750/730	950/930
Electric Resistance Heating										
BTUH	4100	4100	11600/9500	11600/9500	11600/9500	11600/9500	11600/9500	4100	11600/9500	11600/9500
Amps	12.0	12.0	16.0	16.0	16.0	16.0	16.0	12.0	16.0	16.0
Watts Input @ 230V	1380	1380	3670/3010	3670/3010	3670/3010	3680/3020	3680/3020	1380	3660/3000	3680/3020
Features										
Line Cord Plug	Parallel	Parallel	Perp.	Perp.	Perp.	Perp.	Perp.	Parallel	Perp.	Perp.
Recommended Circuit Protection (Time Delay)	15 Amps	15 Amps	20 Amps	20 Amps	20 Amps	20 Amps	20 Amps	15 Amps	20 Amps	20 Amps
Fan Cycle Switch	●	●	●	●	●	●	●	●	●	●
Fan Speeds, Heating/Cooling	2/2	2/2	2/2	2/2	2/2	2/2	2/2	2/2	2/2	2/2
Fan Only Setting	2	2	2	2	2	2	2	2	2	2
Air Flow (CFM) Roomside Hi/Low	212/184	240/212	282/254	282/254	282/254	304/279	304/279	237/212	237/212	304/279
Air Exchange Exhaust	●	●	●	●	●	●	●	●	●	●
Rotary Compressor	●	●	●	●	●	●	●	●	●	●
Slide-Out Chassis	●	●	●	●	●	●	●	●	●	●
Installation	Window/Wall	Window/Wall	Window/Wall	In Wall	In Wall	In Wall	In Wall	Window/Wall	In Wall	In Wall
Wall Case Required	Included	Included	Included	RAB46/47/48	RAB46/47/48	RAB46/47/48	RAB46/47/48	Included	RAB46/47/48	RAB46/47/48
Window Installation Kit	Std. Mount	Std. Mount	Std. Mount	Optional	Optional	Optional	Optional	Std. Mount	Optional	Optional
Approximate Net Weight (Lbs.)	82	87	96	71	78	80	81	TBD	TBD	TBD
Approximate Shipping Wt. (Lbs.)	97	102	111	80	88	90	90	TBD	TBD	TBD

All cooling with electric heat models and heat pumps are corrosion treated. Specifications and design subject to change without notice. *These units are not intended to be the primary source of heat.

Air conditioner tips

Air flow – Keep air filters clean. Do not block air flow areas.

Roomside view – J-models feature concealed power cord storage, this eliminates excessive cord exposure when receptacle is located close to unit.

Accessories

Other accessories are available, they include: Fedders and Whirlpool sleeve adapters. Drain kits and Chassis adapters for old Hotpoint cases.

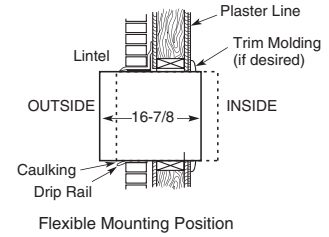
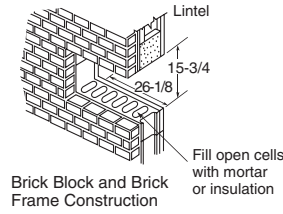
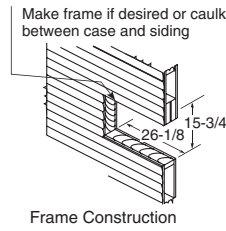
See page 75 for warranty information.

Room Air Conditioners Specifications

Built-In Room Air Conditioners Wall Opening for RAB46/47/48 Cases

A finished opening of 26-1/8" x 15-3/4", clear of intrusions, is required. Keep clearance of 4" from side walls. Brick veneer or frame walls should have wood studding surrounding case to provide firm anchoring with screws. Case can be fastened directly to brick or block walls with screws sunk in lead expansion shields.

Note: Units should be caulked on all four sides of case to the building exterior to assure building integrity.

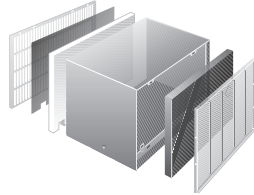


Two wall cases for tenant option installation

When the air conditioner is offered as a tenant option, these wall cases provide protection against outside elements.

RAB47—includes wall case, exterior grille and steel closure panels.

RAB48—includes wall case, exterior grille, steel closure panel and two layers of insulation.



Standard wall case RAB46

Solid-sided wall case fabricated of galvanized steel with baked enamel finish. Welded areas are coated with a sealing compound to help resist rust and corrosion. Polymer gasket surrounds opening to assure tight weather seal. Aluminum grille (RAG13) is included. Panels on interior and between case and grille provide weather protection prior to installation of chassis.



Wall outlets

All wiring, including installation of receptacle, must be made in accordance with local electrical codes and regulations. Electrical outlet should be in reach of line cord.

Note: Aluminum wiring may pose special problems—consult a qualified electrician.

Note: Some models may not be available in your area due to local legislation. Contact your local dealer.

Note: When installing slide out chassis units in through-the-wall applications, keep louvers free. Do not restrict air flow areas. Fixed chassis units are not suitable for through-the-wall applications.



Total capacity and E.E.R. ratings are calculated based on the Association of Home Appliance Manufacturers' standards.

The condensed list below is a convenient overview of the written warranties offered on various Hotpoint and GE® appliances described in this catalog. For complete warranty details on a specific appliance model, contact your nearest Hotpoint/GE appliance dealer, or call GE Factory Service, toll-free, 800-GE-CARES (800-432-2737).

Appliance	Length	Type	Warranty Covers	Parts Or Labor	Where Serviced*
Refrigerators (All models except GMR02BAN, GMR04AAM and GMR06AAP)	1-Year	Full	Entire Appliance	Both	In-Home
	Additional 4-Year (5 years total)	Limited	Sealed Refrig. System Compressor	Both	In-Home
Refrigerators (Models GMR02BAN, GMR04AAM, GMR06AAP)	1-Year	Limited	Entire Appliance	Both	Carry-In**
	Additional 4-Year (5 years total)	Limited	Compressor	Part	Carry-In**
Freezers (Upright and Chest)	1-Year	Limited	Entire Appliance	Both	In-Home
	Additional 4-Year (5 years total)	Full	Sealed Refrig. System	Both	In-Home
	1-Year/5-Year††	Full	Food Spoilage‡	N/A	N/A
Washers	1-Year	Full	Entire Appliance	Both	In-Home
	Additional 4-Year (5 years total)	Limited	Transmission	Parts	In-Home***
	Additional 19-Year (20 years total)	Limited	Tuf Tub™ basket	Parts	In-Home***
GE Spacemaker® Washers	1-Year	Full	Entire Appliance	Both	In-Home
	Additional 4-Year (5 years total)	Limited	Transmission	Parts	In-Home***
Dryers	1-Year	Full	Entire Appliance	Both	In-Home
Ranges	1-Year	Full	Entire Appliance	Both	In-Home
	Additional 4-Year (5 years total)	Limited	Ceramic cooktop, Pattern, Radiant elements	Parts	In-Home***
Hoods	1-Year	Full	Entire Appliance	Both	In-Home
GE Spacemaker® Over-the-Range Microwave Ovens	1-Year	Full	Entire Appliance	Both	In-Home
	Additional 9-Year (10 years total)	Limited	Magnetron Tube	Part	In-Home
Counter Saver Plus™ Over-the-Range Microwave Ovens	1-Year	Full	Entire Appliance	Both	In-Home
	Additional 4-Year (5 years total)	Limited	Magnetron Tube	Part	In-Home***
Microwave Ovens (Models JE1860 and JEM25)	1-Year	Limited	Entire Appliance	Both	In-Home
	Additional 9-Year (10 years total)	Limited	Magnetron Tube	Part	In-Home
Microwave Ovens (Models JE1460, JE1160 and JE740)	1-Year	Limited	Entire Appliance	Both	Carry-In**
	Additional 9-Year (10 years total)	Limited	Magnetron Tube	Part	Carry-In**
Microwave Ovens (Models JES1384, JES1290 and JES1288)	1-Year	Limited	Entire Appliance	Both	Carry-In**
	Additional 4-Year (5 years total)	Limited	Magnetron Tube	Part	Carry-In**
Dishwashers (Models HDA3740GSA, HDA3700GWW/BB, HDA3400GWW/CC/BB, HDA2000GWW/CC/BB)	1-Year	Full	Entire Appliance	Both	In-Home
	Additional 9-Year (10 years total)	Full	Polypropylene Tub and Door Liner	Both	In-Home
Dishwashers (Models HDA1000GWH, GSM1860JSS and GSM1800JWW/BB)	1-Year	Full	Entire Appliance	Both	In-Home
Dishwashers (Models GSC3400JWW/BB, GSC3200JWW/BB, GSM2100GWW/CC/BB)	1 Year	Full	Entire Appliance	Both	In-Home
	Additional 1-Year (2 years total)	Limited	Water Distrib. System	Parts	In-Home***
	Additional 9-Year (10 years total)	Full	PermaTuf® Tub and Door Liner	Both	In-Home
Disposers (Models GFC320F, GFC325F, GFC520F, GFC525F, GF530F, GFC535F, GFC720F, GFB760F, GFC1020F)	1-Year	Full	Entire Appliance	Both	In-Home
Disposers (Models GFC520F, GFC525F)	Additional 1-Year (2 years total)	Limited	Entire Appliance	Parts	In-Home***
Disposers (Models GFC530F, GFC535F)	Additional 2-Years (3 years total)	Limited	Entire Appliance	Parts	In-Home***
Disposers (Models GFC720F, GFB760F)	Additional 4-Years (5 years total)	Limited	Entire Appliance	Parts	In-Home***
Disposers (Model GFC1020F)	Additional 6-Years (7 years total)	Limited	Entire Appliance	Parts	In-Home***
Compactors	1-Year	Full	Entire Appliance	Both	In-Home
Room Air Conditioners (Window, Window Built-In)	1-Year	Full	Entire Appliance	Both	In-Home
	Additional 4-Year (5 years total)	Full	Sealed Refrig. System	Both	In-Home
Dehumidifiers	1-Year	Full	Entire Appliance	Both	In-Home
	Additional 4-Year (5 years total)	Full	Sealed Refrig. System	Both	In-Home

* See warranty for details.

** In-Home service available at additional cost.

*** Does not include trip charge to home or other service costs.

† Cumulative limits: \$100—14.9 cu. ft. and smaller; \$150—15.0 cu. ft. and larger.

†† One year on spoilage from any part failure. Five years on spoilage from sealed refrigerant system failure.

Consumer Services

Visit us at hotpoint.com



We're surfer-friendly!

Completely comprehensive, this site provides you with virtually everything you need to know about Hotpoint® appliances, parts, accessories and service. And, it's also surfer-friendly, so your searches won't be endless—they'll be effortless!

Industry leading support—



The GE Answer Center®

Information Service 800.626.2000.

(GEAppliances.com)

Questions? Call any time.

Before or after you buy any GE or Hotpoint appliance, ask us about the features, product comparisons, pricing and where to find it. Call us any time.

We never close.

GE Genuine Parts

800.626.2002.

Enhance, upgrade or fix it. Check out our accessories!

Accessories can make great GE or Hotpoint products even better. Replacement parts for GE, Hotpoint and most other brands, too. Fast delivery, convenient, direct.

GE Appliance Service

800.432.2737 (800.GE.CARES)

Same day or next day service.

If you ever need product service, we'll come where and when you want—at your convenience. We're the largest manufacturer-owned service organization in the appliance industry. Same or next day service in most cases.

Hotpoint has a policy of continuous improvement on its products and reserves the right to change materials and specifications without notice.

HOTPOINT®

For now. For the long run.

Appliance Park, Louisville, Kentucky 40225