

KitchenAid®

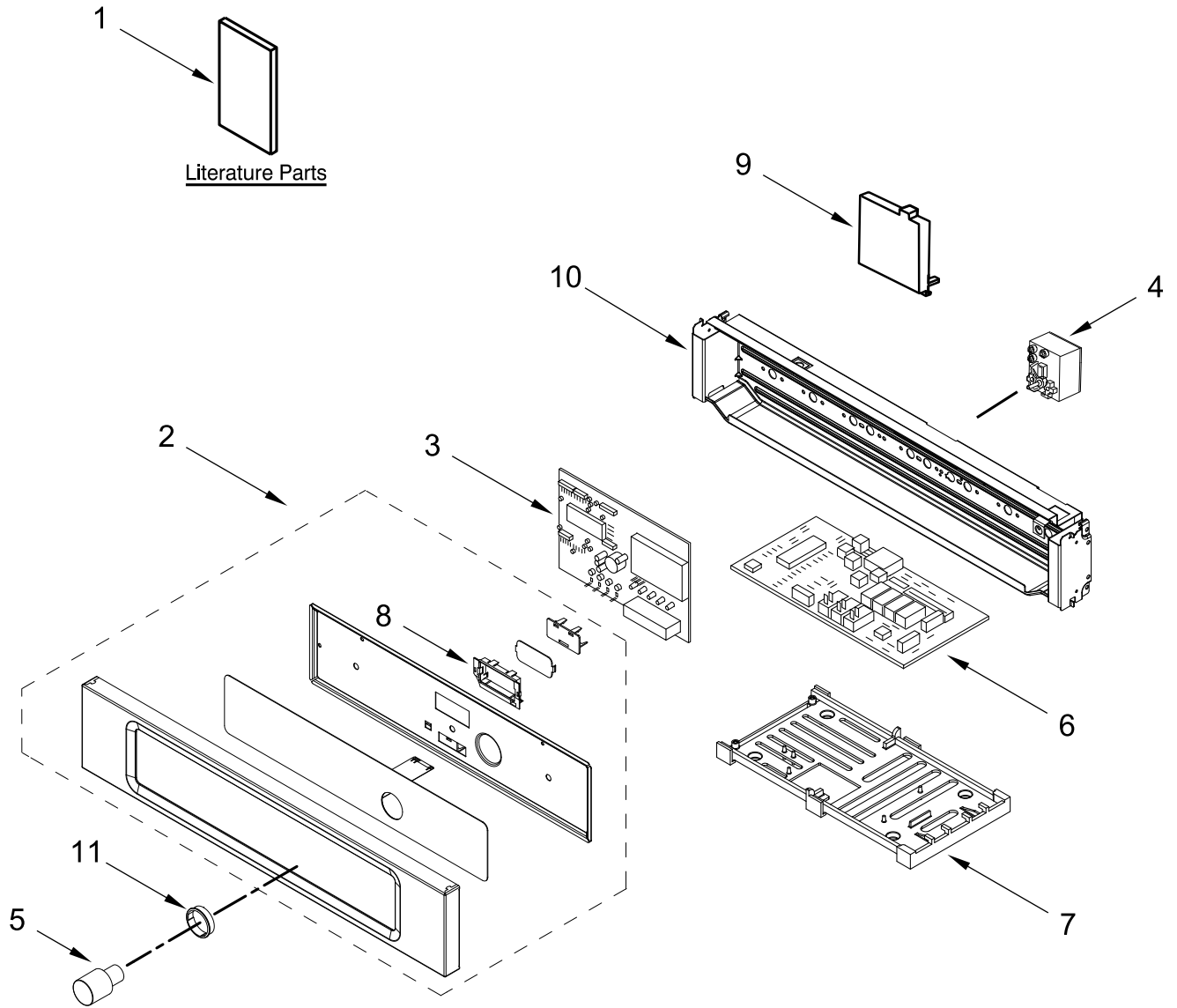
BUILT-IN MICROWAVE

MODELS:

KMBS104EBL03 (Black)

KMBS104ESS03 (Stainless)

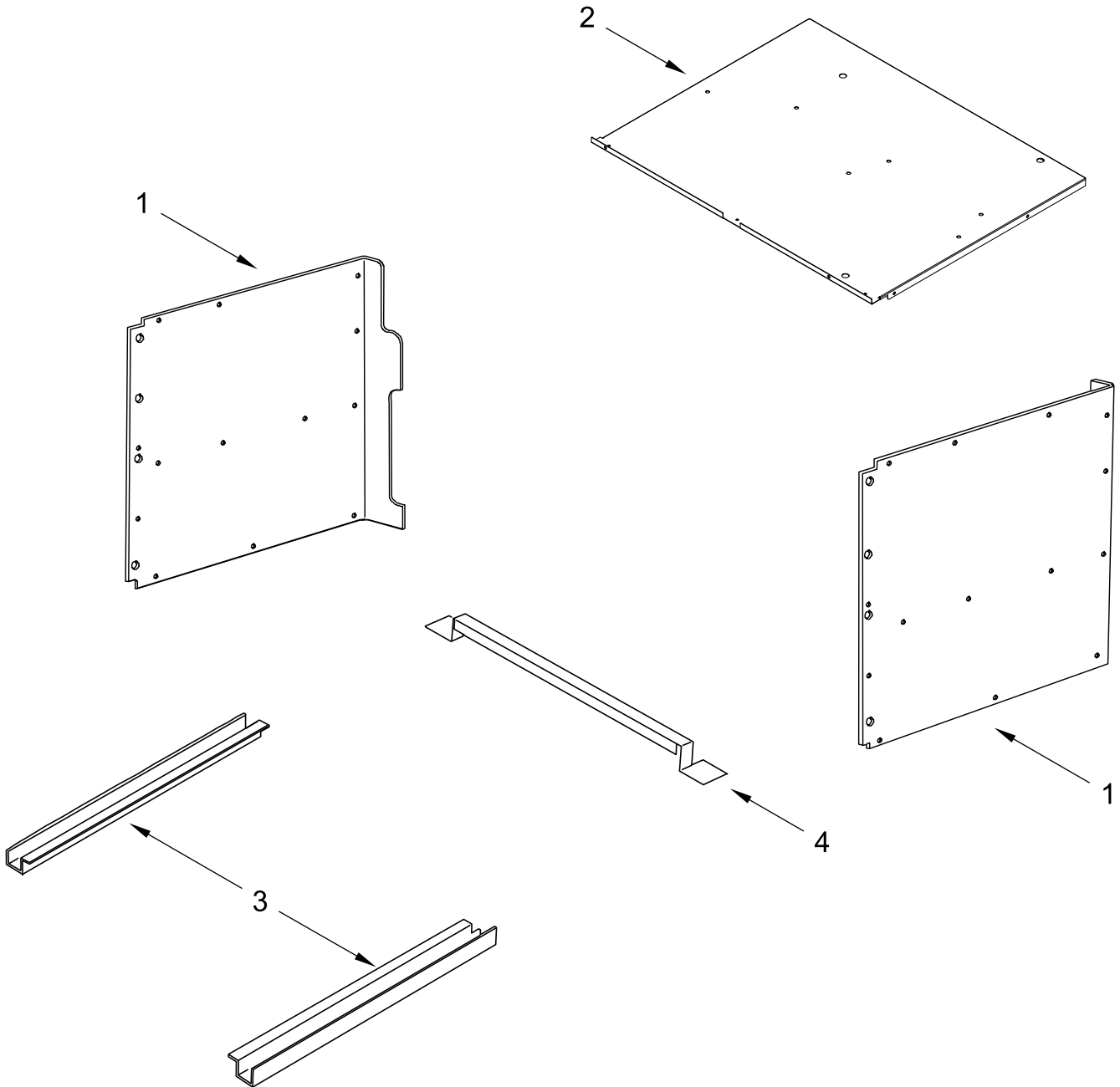
CONTROL PANEL PARTS



CONTROL PANEL PARTS

| <u>Illus. No.</u> | <u>Part No.</u> | <u>Description</u> | <u>Illus. No.</u> | <u>Part No.</u> | <u>Description</u> | <u>Illus. No.</u> | <u>Part No.</u> | <u>Description</u> |
|-------------------|-----------------|----------------------------|-------------------|-----------------|-----------------------|-------------------|-----------------|---------------------------------|
| 1 | | Literature Parts | 4 | W10623991 | Dial, Control | 11 | 461960204731 | Ring |
| | W10772547 | Instructions, Installation | 5 | W10448758 | Knob | | | FOLLOWING PARTS NOT ILLUSTRATED |
| | W10721491 | Guide, Use and Care | 6 | W10868513 | Manager, Appliance | | W10874025 | Harness, Main |
| | W10721492 | Guide, Quick Reference | 7 | 461967750752 | Holder, PCB | | W11356982 | Harness, Fan & Turntable Motor |
| | W11157469 | Sheet, Tech | 8 | 461967750153 | Holder, Display Board | | W11356975 | Harness, Lamp |
| 2 | | Assembly, Control Panel | 9 | 461967750132 | Holder, Control Board | | W11356972 | Harness, No Load Sensor |
| | W10696354 | Black | 10 | 461961099964 | Support, Panel | | W10737666 | Kit, Screw |
| | W10731701 | Stainless | | | | | | |
| 3 | W10839497 | Interface, User | | | | | | |

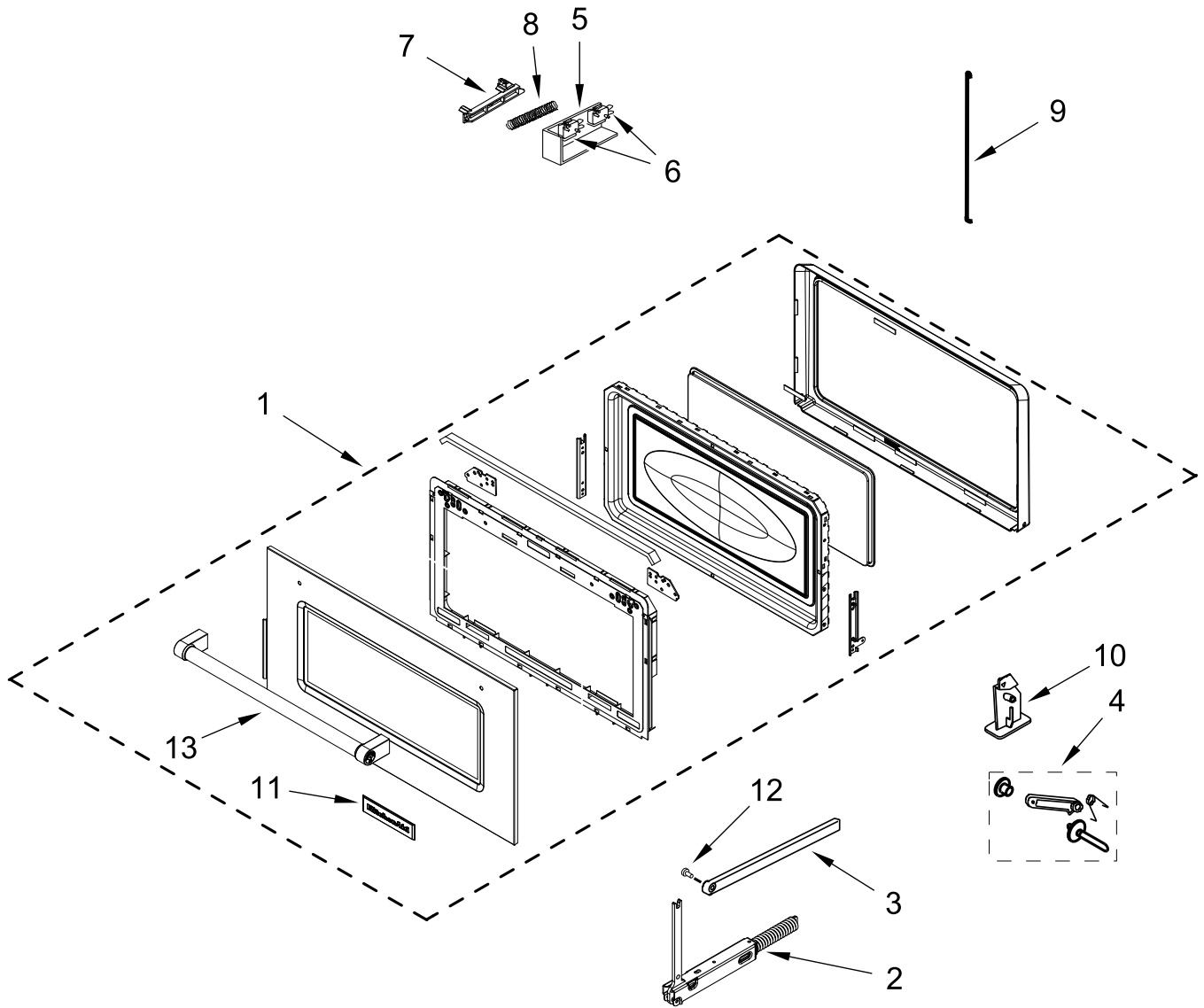
CABINET PARTS



CABINET PARTS

| <u>Illus.</u> <u>No.</u> | <u>Part No.</u> | <u>Description</u> | <u>Illus.</u> <u>No.</u> | <u>Part No.</u> | <u>Description</u> | <u>Illus.</u> <u>No.</u> | <u>Part No.</u> | <u>Description</u> |
|-----------------------------|-----------------|-----------------------|-----------------------------|-----------------|--------------------|-----------------------------|-----------------|--------------------|
| 1 | W10693407 | Chassis, Side (Left) | 2 | W10693404 | Plate, Top | 3 | 461967008461 | Support, Bottom |
| | W10693408 | Chassis, Side (Right) | | | | 4 | W10694565 | Bracket, Bottom |

DOOR PARTS



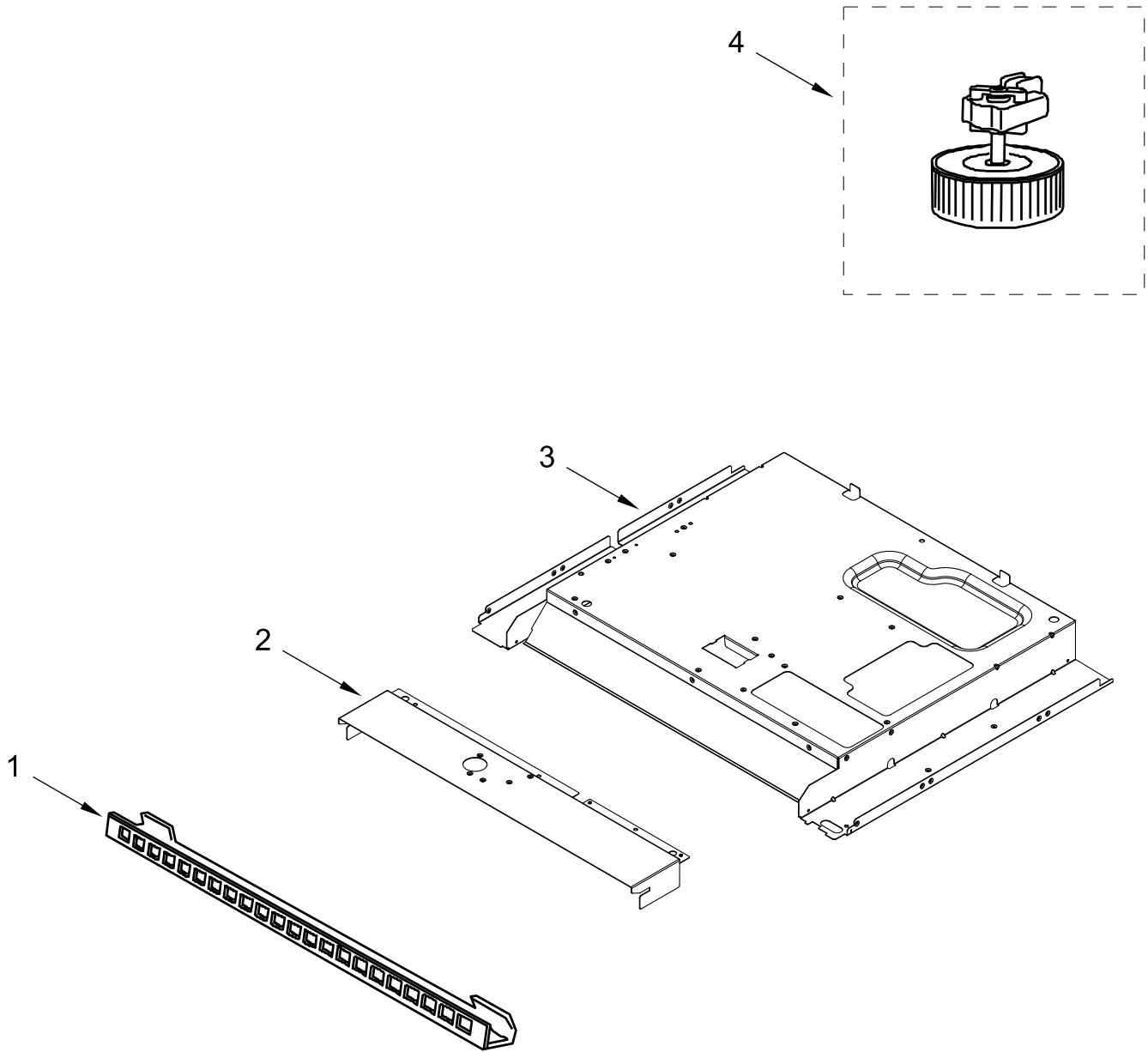
DOOR PARTS

| <u>Illus.</u> <u>No.</u> | <u>Part No.</u> | <u>Description</u> |
|-----------------------------|-----------------|--------------------|
| 1 | | Assembly, Door |
| | W10696352 | Black |
| | W10731697 | Stainless |
| 2 | 461968979591 | Hinge, Door |
| 3 | 461967750483 | Arm, Sliding |
| 4 | 251968600013 | Pin, Damper |
| 5 | W10876593 | Holder, Switch |

| <u>Illus.</u> <u>No.</u> | <u>Part No.</u> | <u>Description</u> |
|-----------------------------|-----------------|---------------------|
| 6 | 461967848881 | Switch |
| 7 | 461967750464 | Rod, Push |
| 8 | 423107570871 | Spring, Release Rod |
| 9 | 461967570351 | Spring, Torsion |
| 10 | 461967750494 | Support |
| 11 | W10518672 | Badge |

| <u>Illus.</u> <u>No.</u> | <u>Part No.</u> | <u>Description</u> |
|-----------------------------|-----------------|--------------------|
| 12 | 461967510191 | Bushing |
| 13 | | Assembly, Handle |
| | W10737395 | Stainless |

TOP VENTING PARTS

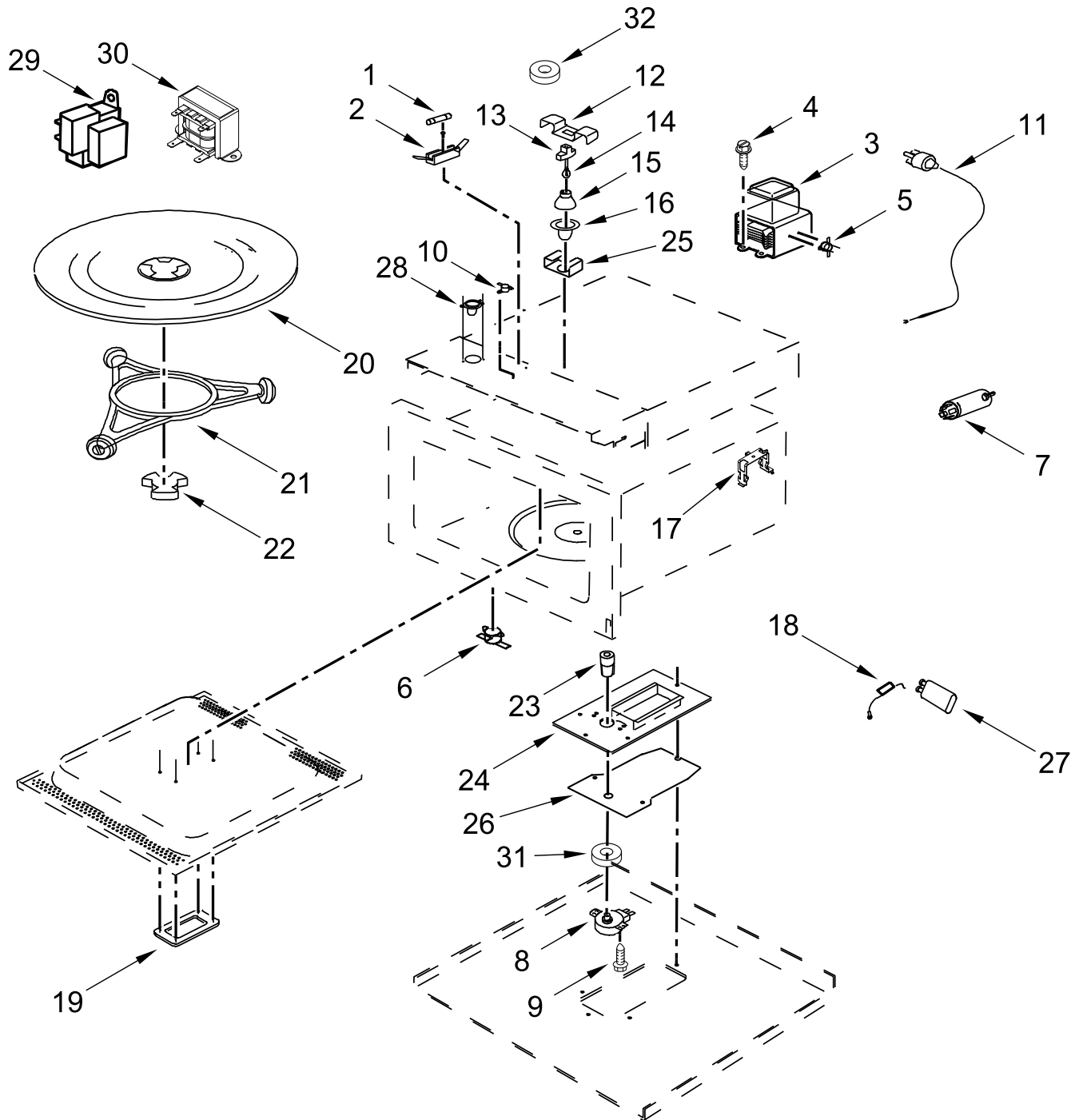


TOP VENTING PARTS

| <u>Illus.</u> <u>No.</u> | <u>Part No.</u> | <u>Description</u> |
|-----------------------------|-----------------|--------------------|
| 1 | 461967749811 | Vent, Panel |
| 2 | 461968956142 | Plate, Cover |

| <u>Illus.</u> <u>No.</u> | <u>Part No.</u> | <u>Description</u> |
|-----------------------------|-----------------|--------------------------|
| 3 | W10782523 | Chassis, Top |
| 4 | 461968973761 | Assembly, Cooling Fan |

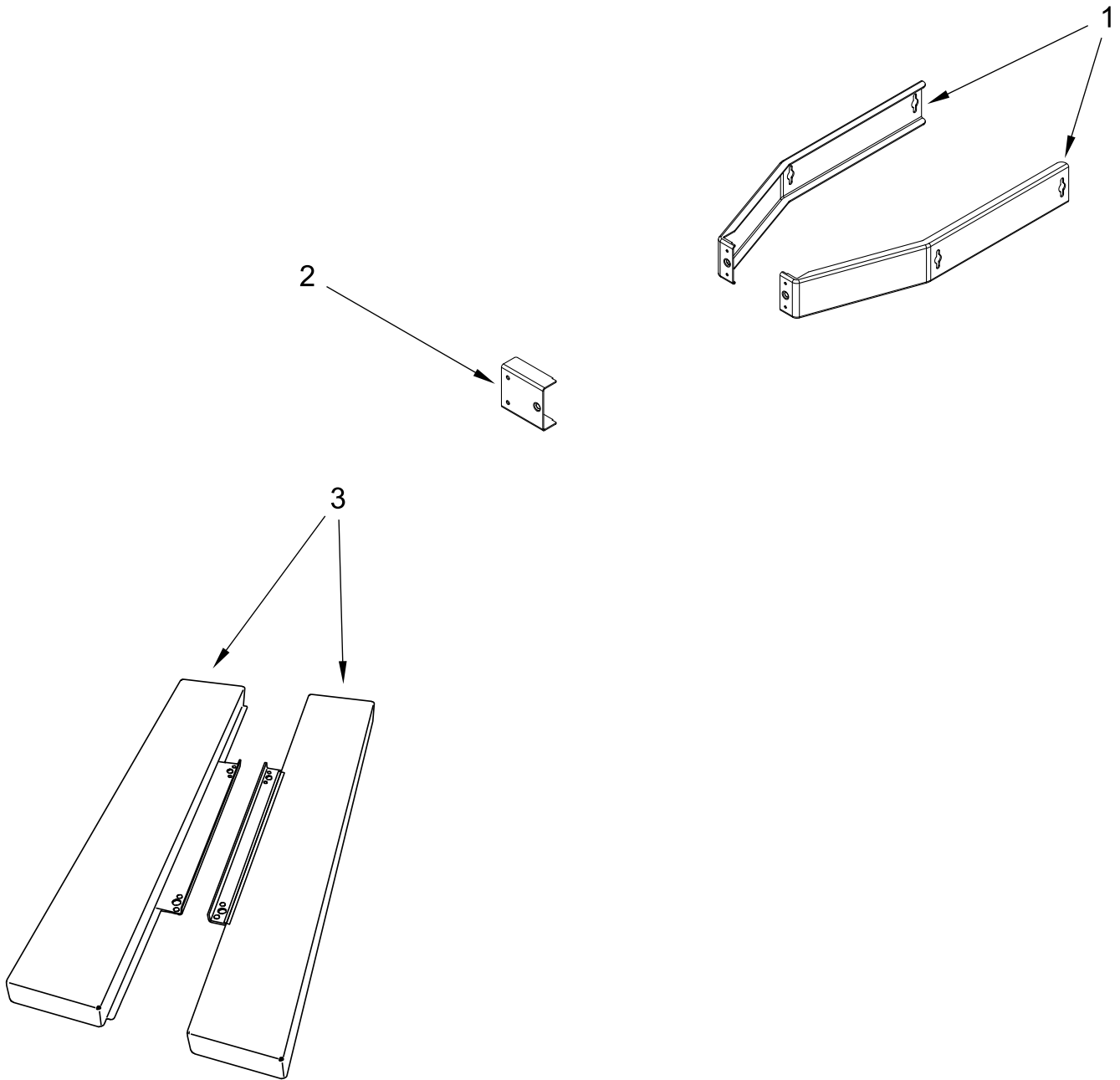
OVEN INTERIOR PARTS



OVEN INTERIOR PARTS

| <u>Illus.</u> <u>No.</u> | <u>Part No.</u> | <u>Description</u> | <u>Illus.</u> <u>No.</u> | <u>Part No.</u> | <u>Description</u> | <u>Illus.</u> <u>No.</u> | <u>Part No.</u> | <u>Description</u> |
|-----------------------------|-----------------|-----------------------|-----------------------------|-----------------|--------------------------|-----------------------------|-----------------|----------------------------------|
| 1 | 241908600053 | Fuse | 13 | W10490593 | Holder, Lamp | 24 | 461967008471 | Holder, Turntable Motor |
| 2 | 4375231 | Block, Fuse | 14 | W10795595 | Lamp, Halogen | 25 | 461967010591 | Clip, Spring |
| 3 | W10776925 | Magnetron | 15 | 423107022541 | Reflector | 26 | 461967451191 | Cover, Motor |
| 4 | 461967825061 | Screw | 16 | 423107720491 | Lens, Lamp | 27 | W10781465 | Capacitor |
| 5 | 4375079 | Thermostat, Magnetron | 17 | 461967009212 | Holder, Capacitor | 28 | 461967847491 | Sensor, Humidity |
| 6 | W10141630 | Thermostat | 18 | 461964697812 | Diode, High Voltage | 29 | W10776767 | Transformer, High Voltage (120V) |
| 7 | 461964885341 | Filter, Noise | 19 | 461967749842 | Cover, Inlet | 30 | 461967848621 | Transformer, Light (20V) |
| 8 | 461967848971 | Motor, Turntable | 20 | W11340343 | Turntable, Glass | 31 | W10769146 | Ring, Rubber |
| 9 | 461967825321 | Screw | 21 | W10422379 | Assembly, Turntable Ring | 32 | W10769147 | Sealing, Lamp |
| 10 | 8205659 | Thermostat, Cavity | 22 | 461967745121 | Driver, Turntable | | | |
| 11 | 461967847092 | Cord, Power | 23 | 461967750791 | Shaft, Turntable Drive | | | |
| 12 | W10474015 | Spring, Lamp Holder | | | | | | |

INSTALLATION PARTS



INSTALLATION PARTS

| <u>Illus.</u> <u>No.</u> | <u>Part No.</u> | <u>Description</u> | <u>Illus.</u> <u>No.</u> | <u>Part No.</u> | <u>Description</u> |
|-----------------------------|-----------------|-----------------------|-----------------------------|-----------------|----------------------|
| 1 | 461967011821 | Bracket, Mounting | 3 | | Assembly, Side Strip |
| 2 | 461967011831 | Tip, Mounting Bracket | | W10696311 | 27" Black |
| | | | | W10696310 | 30" Black |
| | | | | W10696307 | 27" Stainless |
| | | | | W10696306 | 30" Stainless |