

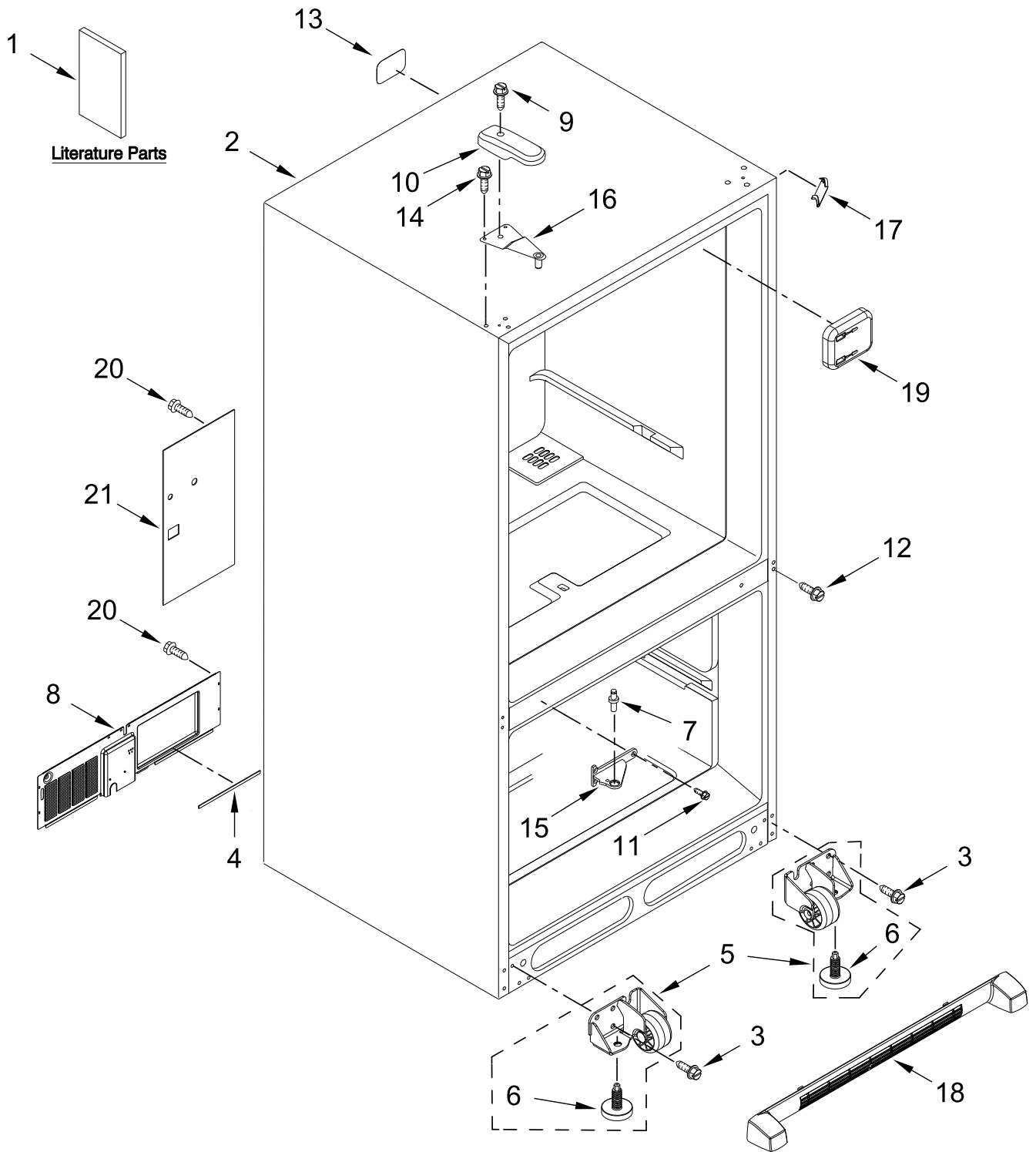
**KitchenAid®**

**REFRIGERATOR**

**MODELS:**

KRBR102ESS05 (Stainless Steel)

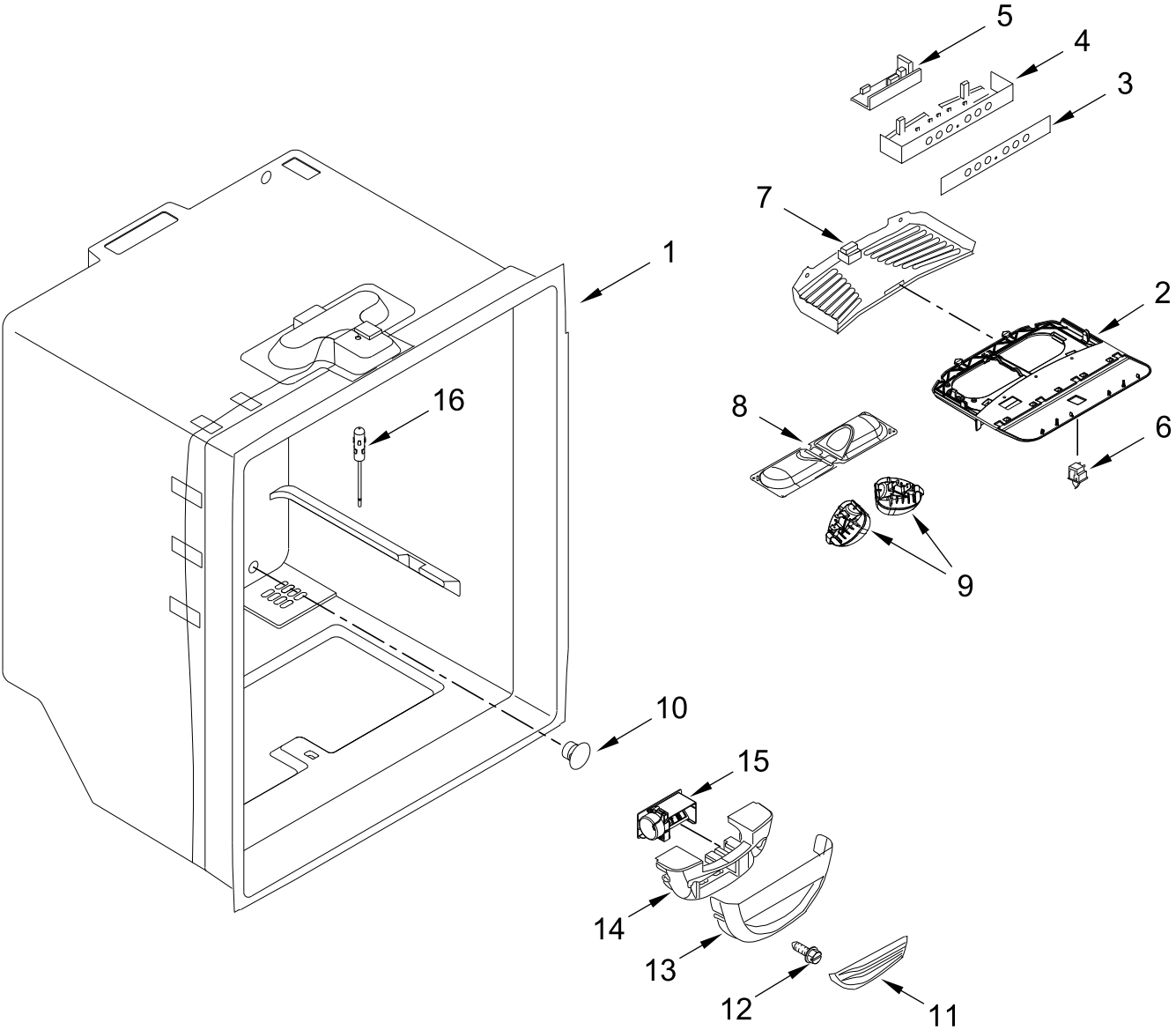
# CABINET PARTS



# CABINET PARTS

<u>Illus. No.</u>	<u>Part No.</u>	<u>Description</u>	<u>Illus. No.</u>	<u>Part No.</u>	<u>Description</u>	<u>Illus. No.</u>	<u>Part No.</u>	<u>Description</u>
1		Literature Parts	7	10351006	Pin, Center Hinge	17		Cover, Corner
	W11479841	Owner's Manual	8	W10210979	Cover, Unit		12587703AP	Grey
	W11644239	Energy Guide	9	12992602	Screw	18		Assembly, Grille (Includes Clips)
	W11312474	Tech Sheet	10		Cover, Top Hinge		W10534160	Grey
2		Cabinet (Not a Serviceable Part)		12477601AP	Grey	19	W11328747	Cover. Fill Tube
3	W10709365	Screw	11	W10673840	Screw (Stainless)	20	12990702	Screw
4	W11534847	Gasket	12	12990521	Screw	21	W10217701	Cover, Water Valve
5		Assembly, Roller	13	12249902	Label, Fill Tube			
	W10515763	Left Hand	14	12992403	Screw			
	W10515762	Right Hand	15	W11610756	Hinge, Center			
6	W10141622	Brake, Roller	16	12566606ED	Hinge, Top			

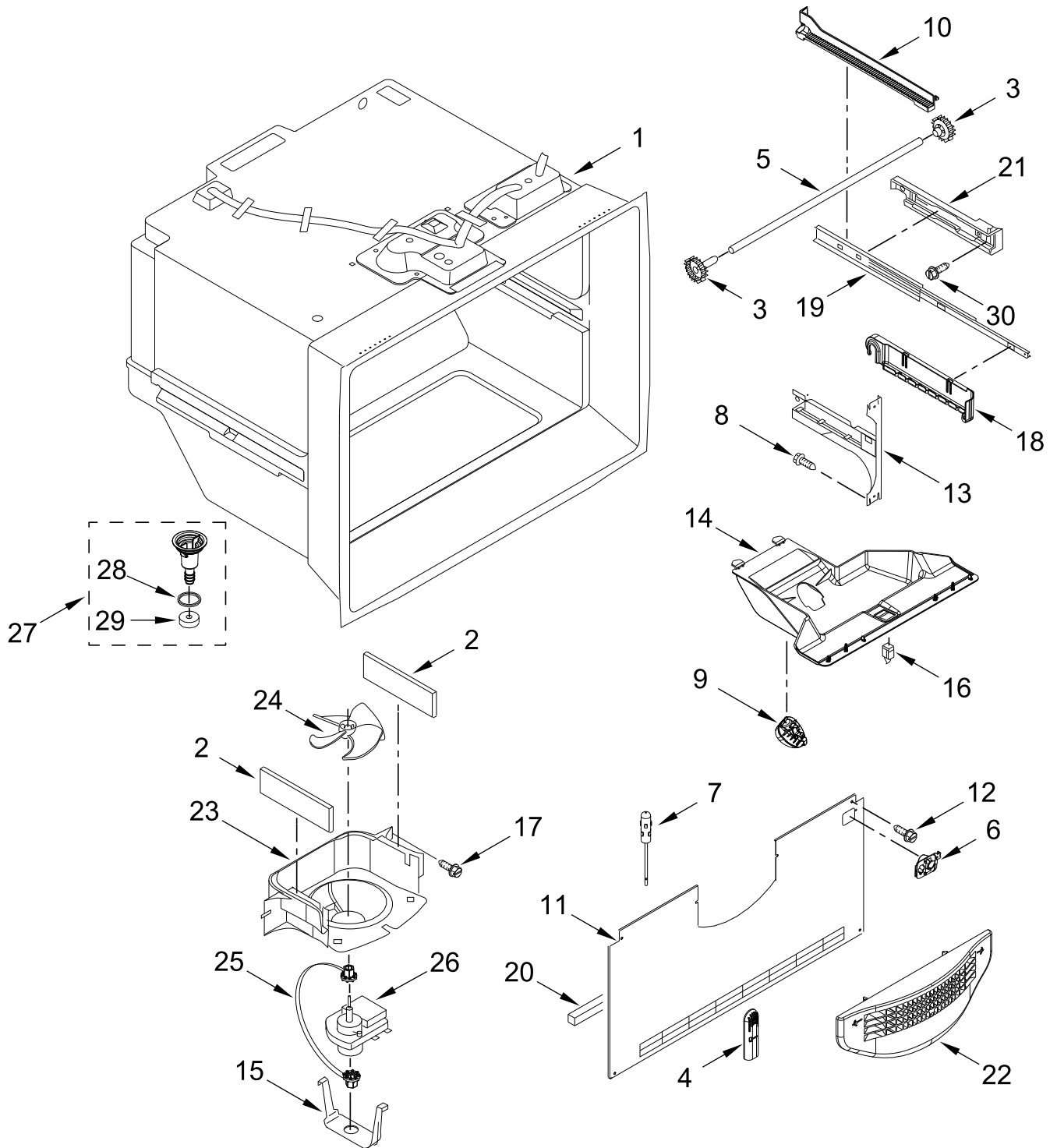
# REFRIGERATOR LINER PARTS



# REFRIGERATOR LINER PARTS

<u>Illus. No.</u>	<u>Part No.</u>	<u>Description</u>	<u>Illus. No.</u>	<u>Part No.</u>	<u>Description</u>	<u>Illus. No.</u>	<u>Part No.</u>	<u>Description</u>
1		Liner (Not A Serviceable Part)	8	W10443023	Housing, Light	15	W10594330	Damper, Control
			9	W11468934	Light Module, LED	16	12791403	Thermistor
2	W10464757	Module, Light	10		Plug, Button			FOLLOWING PARTS NOT ILLUSTRATED
3	W10593588	Overlay		M0310343	White			
4	W10464769	Module, Control	11	12806801	Insert, Damper Cover	W11598849		Harness, Refrigerator Control (Includes Thermistor)
5	W11321360	Control, Electronic	12	12990604	Screw			
6	W10847853	Switch, Rocker	13	12806701	Cover, Damper			
7	W11132917	Cover, Light	14	W11657832	Insulation, Damper			

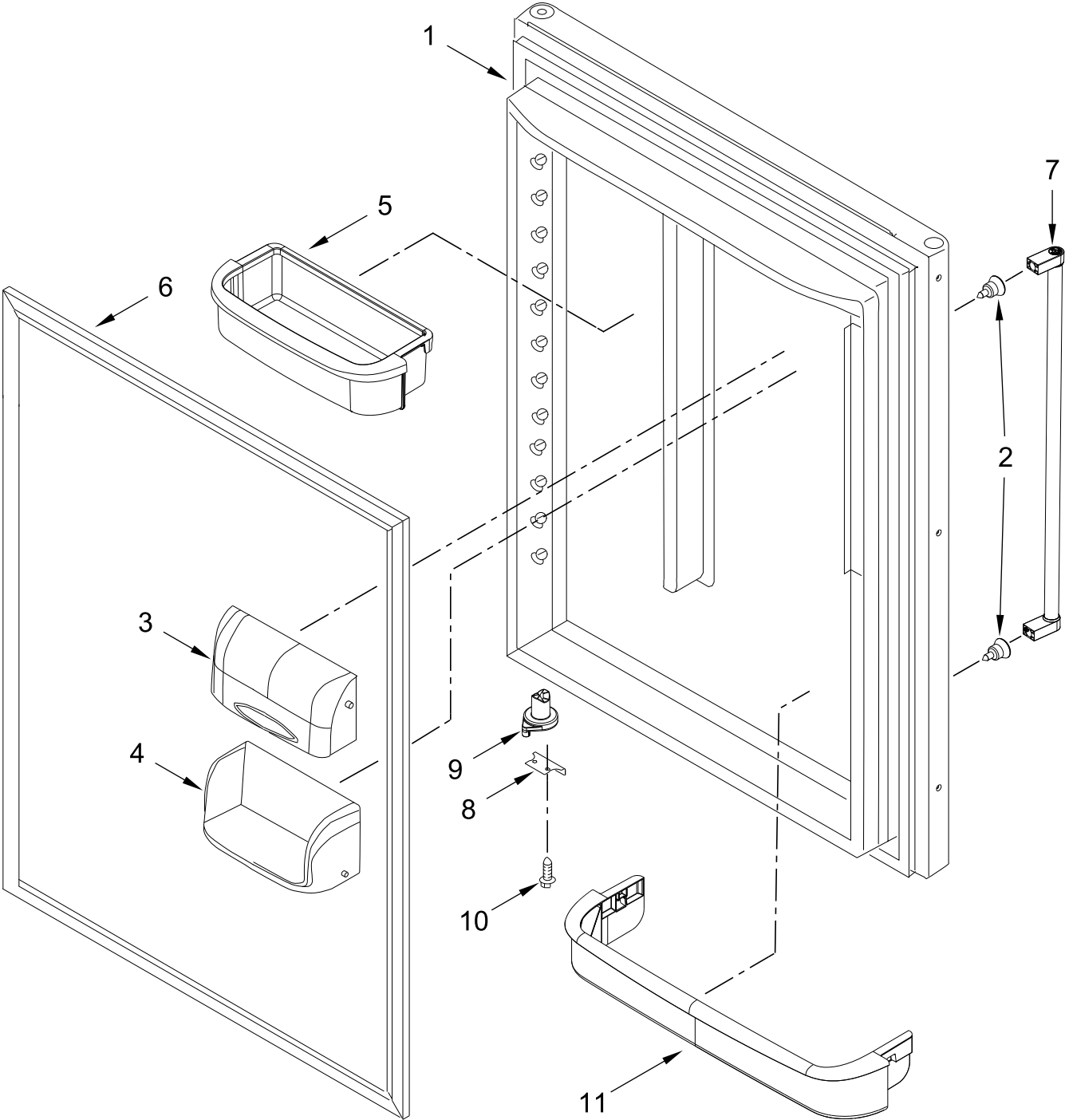
# FREEZER LINER PARTS



# FREEZER LINER PARTS

<u>Illus.</u> <u>No.</u>	<u>Part No.</u>	<u>Description</u>	<u>Illus.</u> <u>No.</u>	<u>Part No.</u>	<u>Description</u>	<u>Illus.</u> <u>No.</u>	<u>Part No.</u>	<u>Description</u>
1		Liner (Not A Serviceable Part)	13		Bracket, Door	23	13057901	Shroud, Evaporator Fan
				W10330991	Left Hand			
2	A3189392	Gasket, Foam		W10330993	Right Hand	24	2169142	Blade, Fan
3	12002497	Gear	14	W10277025	Module, Light	25	W10121318	Grommet
4	12815301	Cover, Thermistor	15	13058002	Clip, Evaporator Motor	26	W10128551	Motor, Evaporator
5	W10802331	Shaft, Rack	16	W10847849	Switch, Light	27	W10662407	Assembly, Drain Funnel
6	W11341630	Guide, Fill Tube	17	12990504	Screw			
7	12791409SP	Thermistor	18		Cradle, Basket	28	M0500703	Seal
8	12990521	Screw		W10280608	Left Hand	29	B8381501	Gasket, Drain
9	W11468934	Light Module, LED		W10280613	Right Hand	30	12990501	Screw
10		Rack, Side	19	W11644400	Slide, Door			
	W11309374	Left Hand	20	A3189395	Gasket, Foam			
	W11309377	Right Hand	21		Adapter, Slide			
11	W10308415	Cover, Evaporator		W10284684	Left Hand			
				W10284685	Right Hand			
12	12990511	Screw	22	13024803	Grille, Freezer Air			

# REFRIGERATOR DOOR PARTS

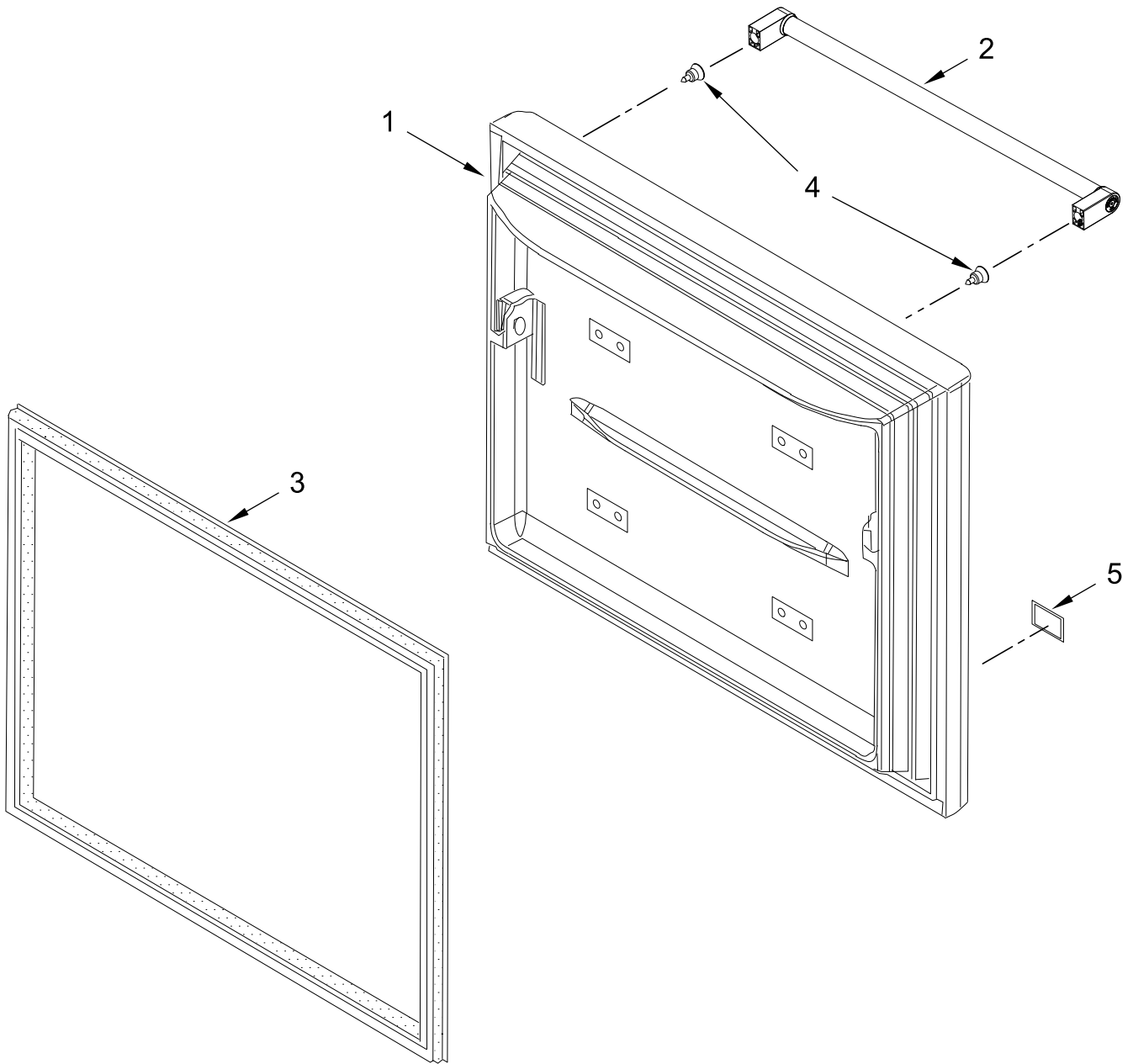




# REFRIGERATOR DOOR PARTS

<u>Illus.</u> <u>No.</u>	<u>Part No.</u>	<u>Description</u>	<u>Illus.</u> <u>No.</u>	<u>Part No.</u>	<u>Description</u>	<u>Illus.</u> <u>No.</u>	<u>Part No.</u>	<u>Description</u>
1		Door, Refrigerator	6		Gasket, Door	9		Closure, Door
	13107546S	Stainless		W10443314	Grey		12028505AP	Grey
2	W11328753	Screw	7		Handle, Door	10	12990518	Screw
3	12804701SP	Door, Dairy		W11339147	Stainless	11	12557905	Retainer, Door
4	12369502SP	Tray, Dairy	8		Stop, Door			
5	W10371194	Bucket, Medium		12968202AP	Grey			

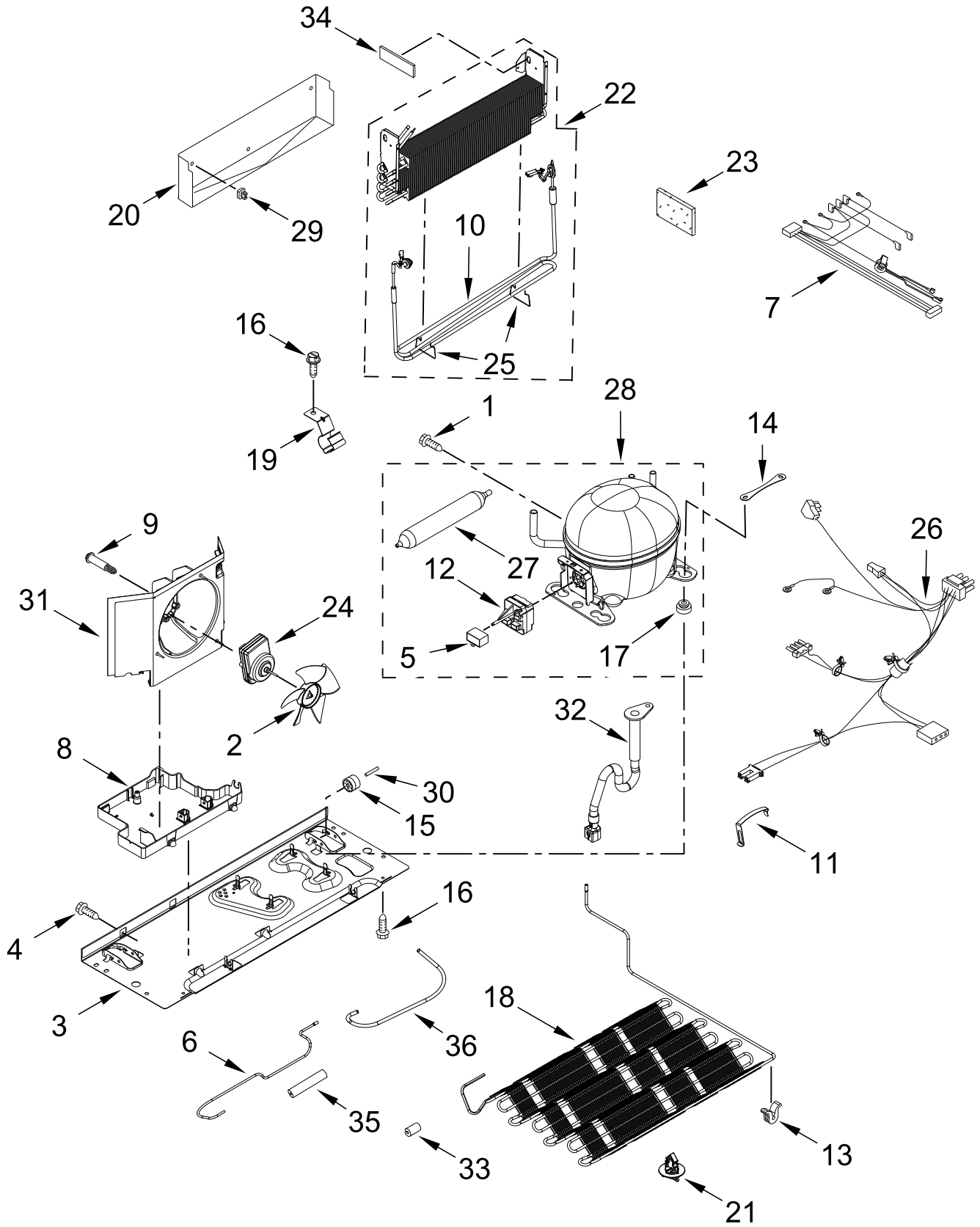
# FREEZER DOOR PARTS



# FREEZER DOOR PARTS

<u>Illus.</u> <u>No.</u>	<u>Part No.</u>	<u>Description</u>	<u>Illus.</u> <u>No.</u>	<u>Part No.</u>	<u>Description</u>	<u>Illus.</u> <u>No.</u>	<u>Part No.</u>	<u>Description</u>
1		Door, Freezer	3		Gasket, Door	4	W11328753	Screw
	13109217S	Stainless		W10443316	Grey	5	W10518672	Badge
2		Handle, Door						
	W11339147	Stainless						

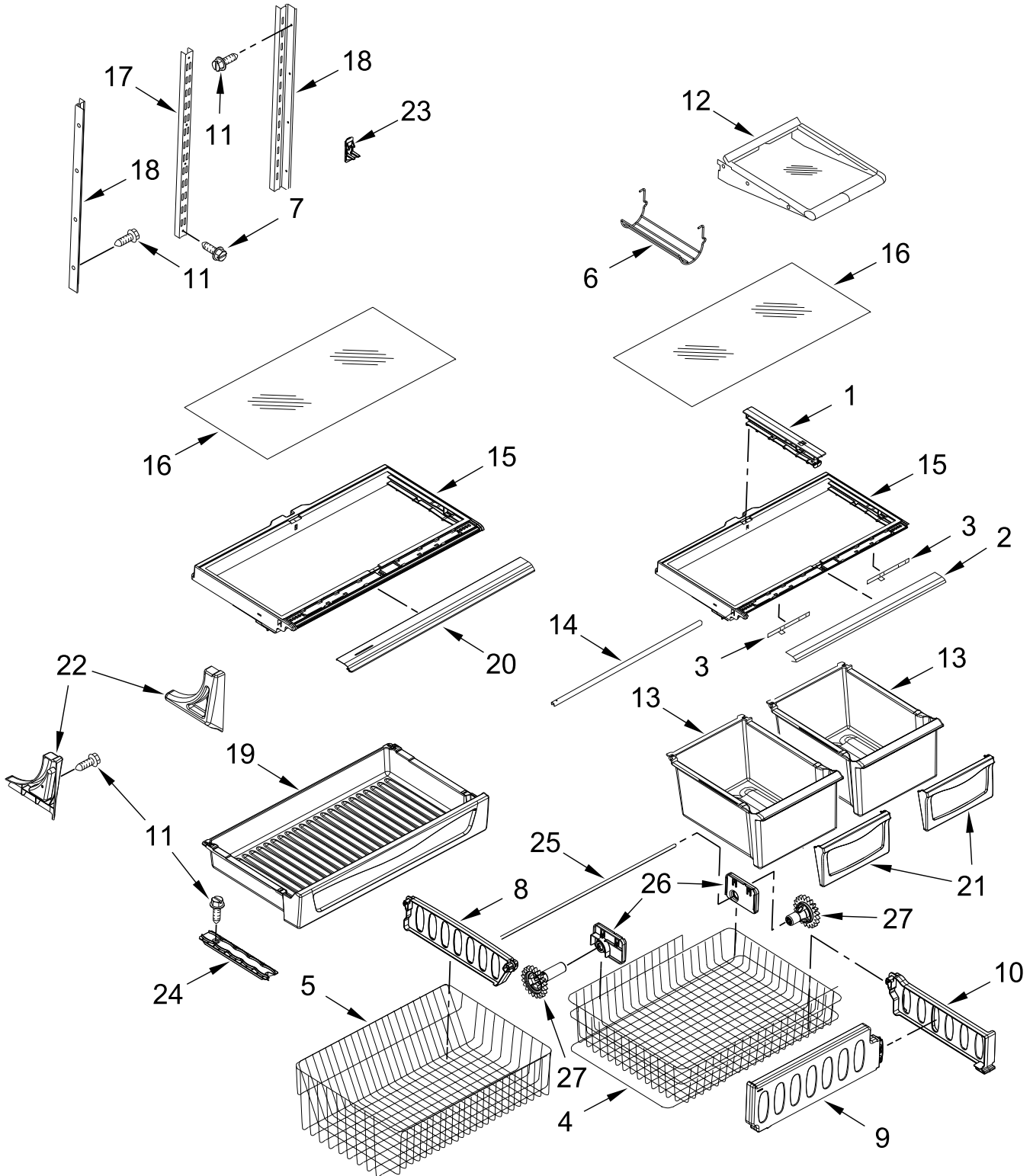
# UNIT PARTS



# UNIT PARTS

<u>Illus.</u> <u>No.</u>	<u>Part No.</u>	<u>Description</u>	<u>Illus.</u> <u>No.</u>	<u>Part No.</u>	<u>Description</u>	<u>Illus.</u> <u>No.</u>	<u>Part No.</u>	<u>Description</u>
1	12992301	Screw	19	W10281329	Clip, Drier	28	W11332031	Compressor (Also Order the Following Lokring Parts)
2	12825803	Blade, Fan	20	W11337772	Tray, Drip			
3	W11604797	Basepan	21	W10815863	Clip, Condenser			
4	12990511	Screw	22	W11515436	Assembly, Evaporator and Heater		W11504416	8.5/6 NR MS 00 (Suction Tube to Compressor)
5	W10350564	Capacitor						
6	W11566600	Tube, Discharge			(Also Order the Following Lokring Parts)		W11504431	7/5 NR MS 00 (Discharge Tube to Compressor)
7	W11305539	Harness, Evaporator (Includes Defrost Thermostat)		W11504423	8/2 NR AL 00 (Capillary Tube to Evaporator)		W11506621	6 NK MS 00 (Charging Tube to Compressor)
8	W10655367	Pan, Drain						
9	W10622701	Screw						
10	W11287564	Heater, Defrost		W11504415	8.5/8 NR MS 00 (Suction Line to Evaporator)		W11506635	Tube, Charging (1/4 in w/ Schrader Valve)
11	W11379613	Strap, Bale						
12	W11359985	Device, Start						
13	W10137529	Grommet, Condenser	23	2169104	Insulation, Sound Deadening	29	10623002	Clip, Evaporator
14	W10236396	Strap, Compressor				30	12477202	Axle, Roller
15	12477102	Roller	24	W11505534	Motor, Condenser Fan	31	W11463236	Shroud, Condenser Fan
16	12992101	Screw	25	W11380964	Clip, Heater	32	W10622099	Extension, Drain Tube
17	10835903	Grommet	26	W11654034	Harness, Unit (Includes Power Cord)	33	2319835	Grommet, Condenser
18	W11353138	Condenser (Also Order the Following Lokring Parts)	27	W11353156	Drier (Also Order the Following Lokring Parts)	34	W11244122	Gasket, Foam
	W11506623	5 NK MS 00 (Discharge Tube to Condenser)				35	W10303521	Sleeve
	W11504432	6/5 NR MS 00 (Heat Loop to Condenser)		W11504445	5/4 NR MS 00 (Heat Loop to Drier)	36	W11566588	Tube, Suction REFRIGERANT CHARGE 49 grams (R600a)
				W11504447	5/1.8 NR MS 00 (Capillary Tube to Drier)			

# SHELF PARTS



# SHELF PARTS

<u>Illus. No.</u>	<u>Part No.</u>	<u>Description</u>	<u>Illus. No.</u>	<u>Part No.</u>	<u>Description</u>	<u>Illus. No.</u>	<u>Part No.</u>	<u>Description</u>
1	W10671238	Rail, Center Crisper	11	12990513	Screw	23	12531802	Hook, Ladder
2	W10231343	Trim, Crisper	12	W11358360	Shelf, Stationary	24	12531901	Track, Deli Drawer
3	12530805SP	Slide, Humidity Control	13	12530505SP	Pan, Crisper	25	W10802339	Shaft, Rack
4	W11115252	Basket, Freezer (Upper)	14	12227303WD	Brace, Crisper Cover	26		Mount, Gear
5	W11115780	Basket, Freezer (Lower)	15	W10671241	Frame, Crisper		W10348259	Left Hand
6	W10335942	Rack, Hanging Wire	16	12204822	Glass, Crisper		W10348260	Right Hand
7	W10215666	Screw	17	W10273463	Ladder, Center	27		Gear
8	W10146440	Divider, Basket (Lower)	18	W10251969	Ladder, Side		W10474716	Left Hand
9	W10311695	Divider, Basket (Upper)	19	W10328327	Drawer, Pantry		W10474715	Right Hand
10	W10241046	Divider, Basket (Upper)	20	W10656986	Trim, Pantry Front			
			21	12643702SP	Frame, Crisper Pan			
			22		Support, Pantry			
				12531001	Left Hand			
				12531002	Right Hand			

# OPTIONAL PARTS

<u>Illus.</u> <u>No.</u>	<u>Part No.</u>	<u>Description</u>
		TOUCH-UP PAINT
W10134625		Apollo Grey
		MISCELLANEOUS
212643		Sealer, Gum (4 Feet)
479502		Tape, Vinyl (3/4 x 108")
505587		Sealer, Mastic (1 Qt)
503695		Cork, Sealer
542638		Grease, Silicone (1/2 Oz.)
542639		Cement, Alumilastic (1 1/4 Oz.)
799833		Kit, Evaporator Repair (Aluminum Epoxy)
833938		Kit, Terminal Connector
8003RP		Kit, Water Inlet
		FIELD INSTALLABLE ICE MAKER
W11459724		Icemaker Add-On Kit (Includes Valve & Ice Bin)
		TORX SCREW WRENCH
1117510		Torx Key