

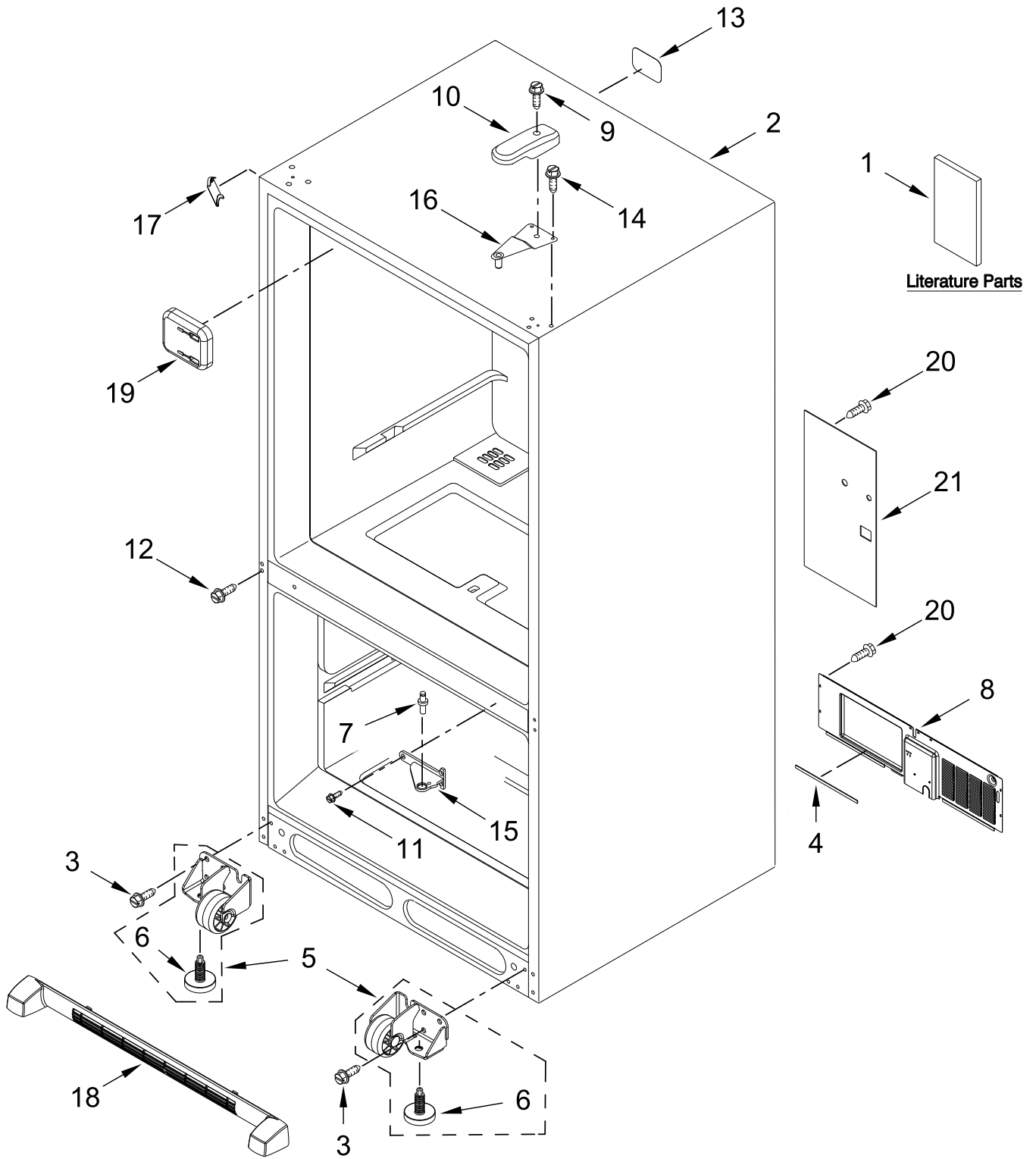
KitchenAid®

REFRIGERATOR

MODELS:

KRBR109ESS05 (Stainless Steel)

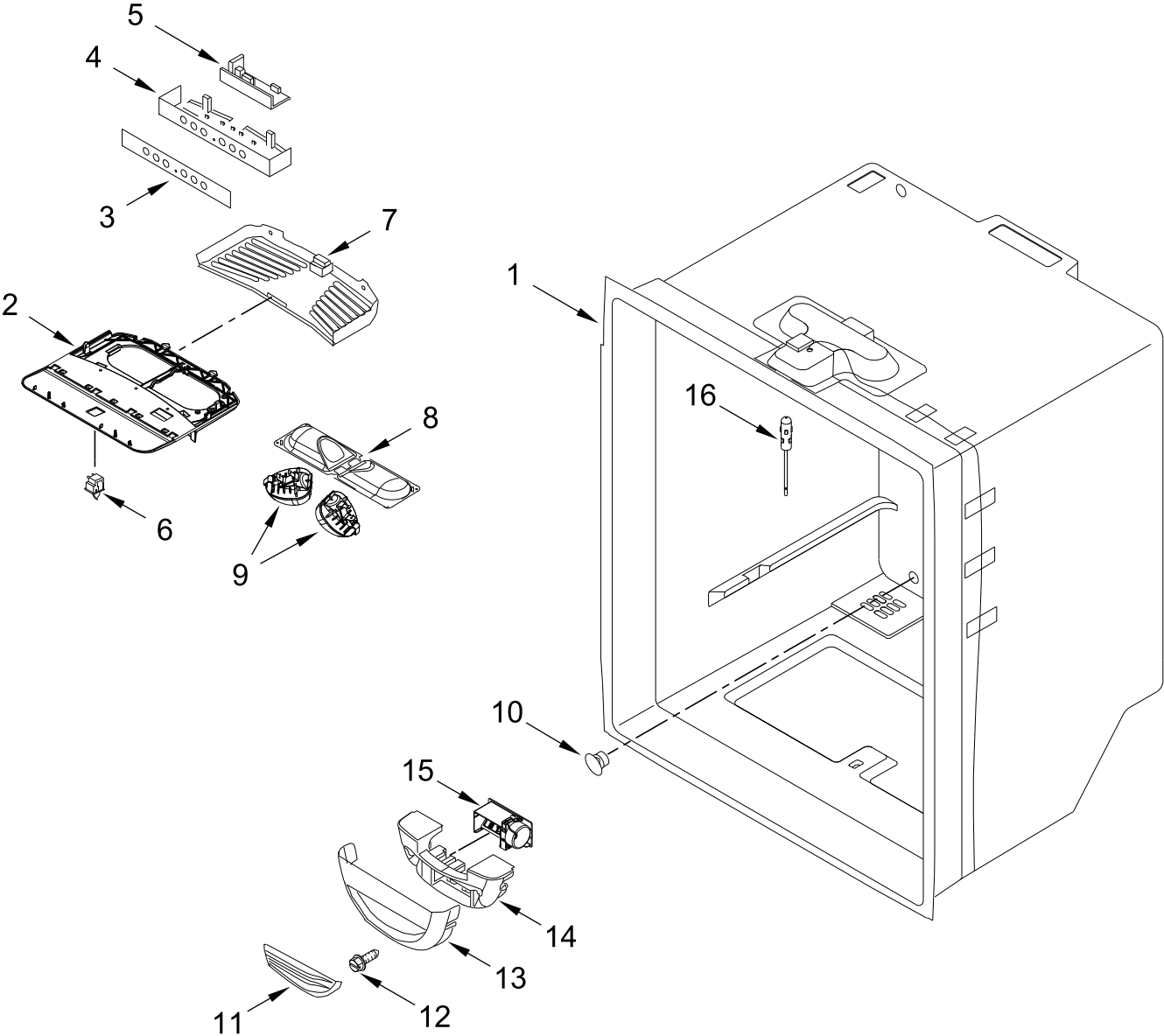
CABINET PARTS



CABINET PARTS

<u>Illus. No.</u>	<u>Part No.</u>	<u>Description</u>	<u>Illus. No.</u>	<u>Part No.</u>	<u>Description</u>	<u>Illus. No.</u>	<u>Part No.</u>	<u>Description</u>
1		Literature Parts	7	10351006	Pin, Center Hinge	17		Cover, Corner
	W11479841	Owner's Manual	8	W10210978	Cover, Unit		12587703AP	Grey
	W11644238	Energy Guide	9	12992602	Screw	18		Assembly, Grille (Includes Clips)
	W11312474	Tech Sheet	10		Cover, Top Hinge		W10534165	Grey
2		Cabinet (Not a Serviceable Part)		12477601AP	Grey	19	W11328747	Cover, Fill Tube
3	W10709365	Screw	11	W10673840	Screw (Stainless)	20	W10141645	Screw
4	W11534846	Gasket	12	12990101	Screw	21	W10217701	Cover, Water Valve
5		Assembly, Roller	13	12249902	Label, Fill Tube			
	W10515763	Left Hand	14	12992403	Screw			
	W10515762	Right Hand	15	W11610756	Hinge, Center			
6	W10141622	Brake, Roller	16	12566606ED	Hinge, Top			

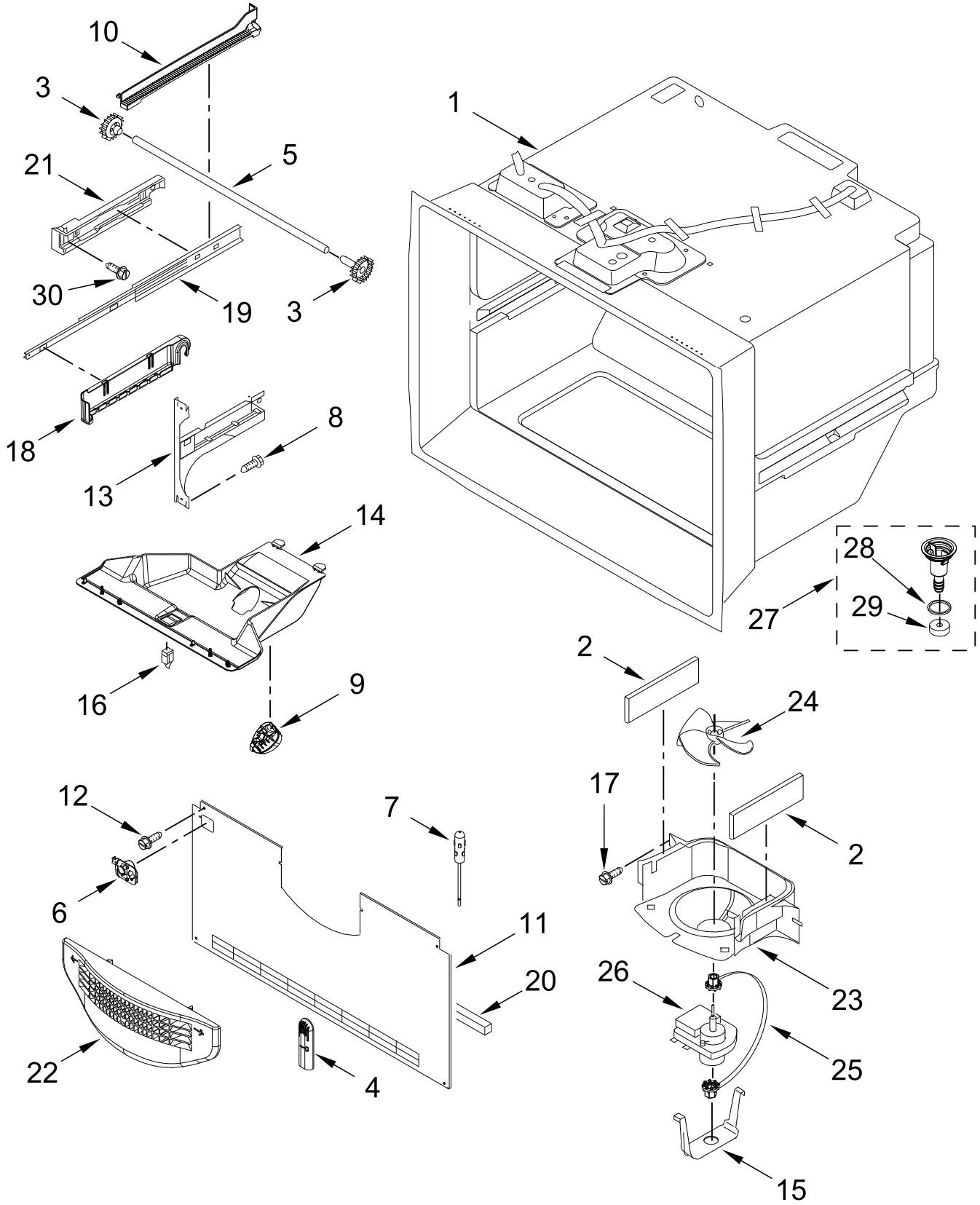
REFRIGERATOR LINER PARTS



REFRIGERATOR LINER PARTS

<u>Illus.</u> <u>No.</u>	<u>Part No.</u>	<u>Description</u>	<u>Illus.</u> <u>No.</u>	<u>Part No.</u>	<u>Description</u>	<u>Illus.</u> <u>No.</u>	<u>Part No.</u>	<u>Description</u>
1		Liner (Not A Serviceable Part)	8	W10443023	Housing, Light	15	W10594330	Damper, Control
			9	W11468934	Light Module, LED	16	12791403	Thermistor
2	W10464757	Module, Light	10		Plug, Button			FOLLOWING PARTS NOT ILLUSTRATED
3	W10593588	Overlay		M0310343	White			
4	W10464769	Module, Control	11	12806801	Insert, Damper Cover	W11598849		Harness, Refrigerator Control (Includes Thermistor)
5	W11321360	Control, Electronic	12	12990604	Screw			
6	W10847853	Switch, Rocker	13	12806701	Cover, Damper			
7	W11132917	Cover, Light	14	W11657832	Insulation, Damper			

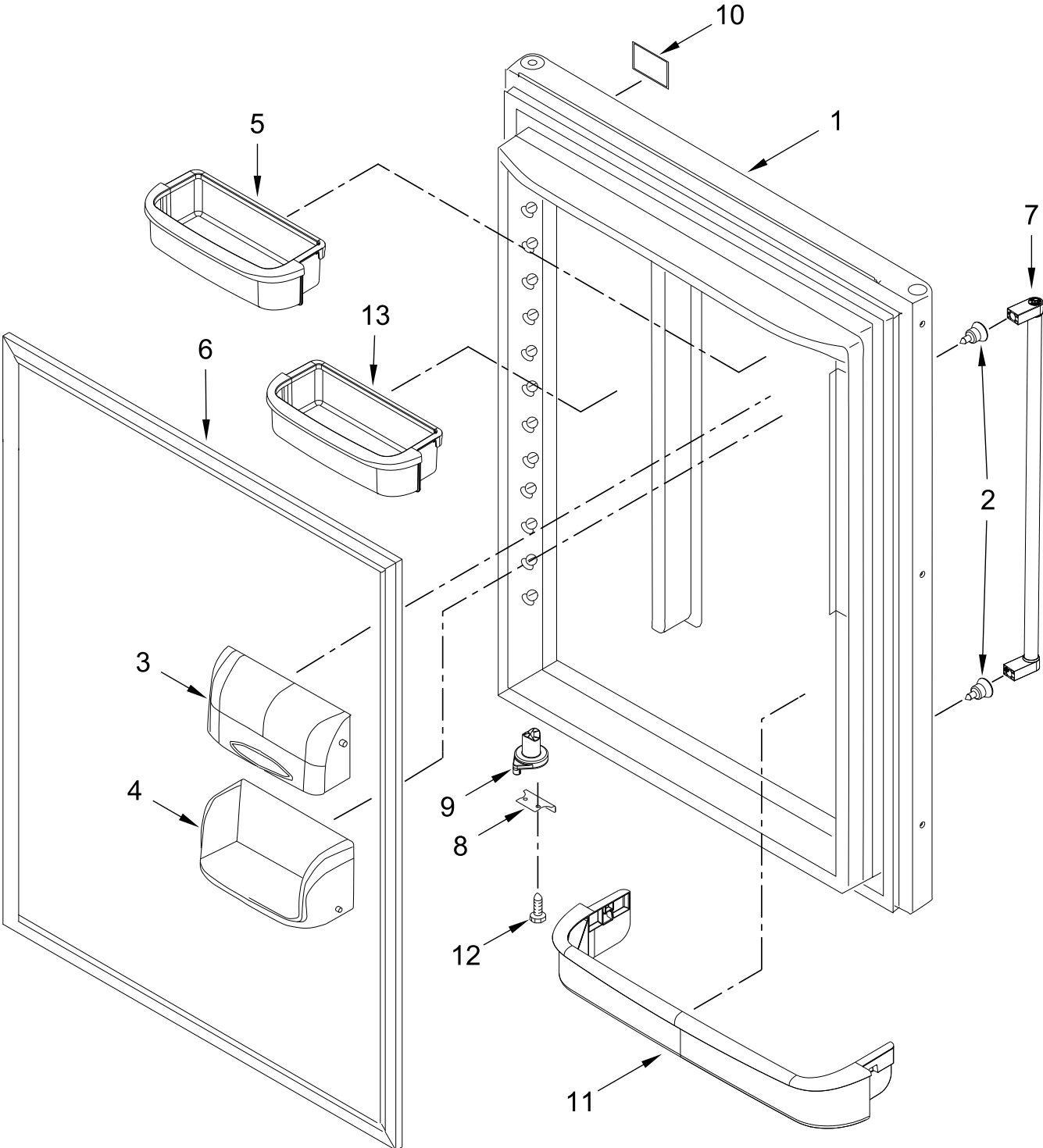
FREEZER LINER PARTS



FREEZER LINER PARTS

<u>Illus.</u> <u>No.</u>	<u>Part No.</u>	<u>Description</u>	<u>Illus.</u> <u>No.</u>	<u>Part No.</u>	<u>Description</u>	<u>Illus.</u> <u>No.</u>	<u>Part No.</u>	<u>Description</u>
1		Liner (Not A Serviceable Part)	13		Bracket, Door	23	13057901	Shroud, Evaporator Fan
				W10330991	Left Hand			
2	A3189392	Gasket, Foam		W10330993	Right Hand	24	2169142	Blade, Fan
3	12002497	Gear	14	W10277025	Module, Light	25	W10121318	Grommet
4	12815301	Cover, Thermistor	15	13058002	Clip, Evaporator Motor	26	W10128551	Motor, Evaporator
5	W10802329	Shaft, Rack	16	W10847849	Switch, Light	27	W10662407	Assembly, Drain Funnel
6	W11341630	Guide, Fill Tube	17	12990504	Screw			
7	12791409SP	Thermistor	18		Cradle, Basket	28	M0500703	Seal
8	12990521	Screw		W10280608	Left Hand	29	B8381501	Gasket, Drain
9	W11468934	Light Module, LED		W10280613	Right Hand	30	12990501	Screw
10		Rack, Side	19	W11644400	Slide, Door			
	W11309374	Left Hand	20	A3189394	Gasket, Bottom			
	W11309377	Right Hand	21		Adapter, Slide			
11	W10308414	Cover, Evaporator		W10284684	Left Hand			
				W10284685	Right Hand			
12	12990511	Screw	22	13024803	Grille, Freezer Air			

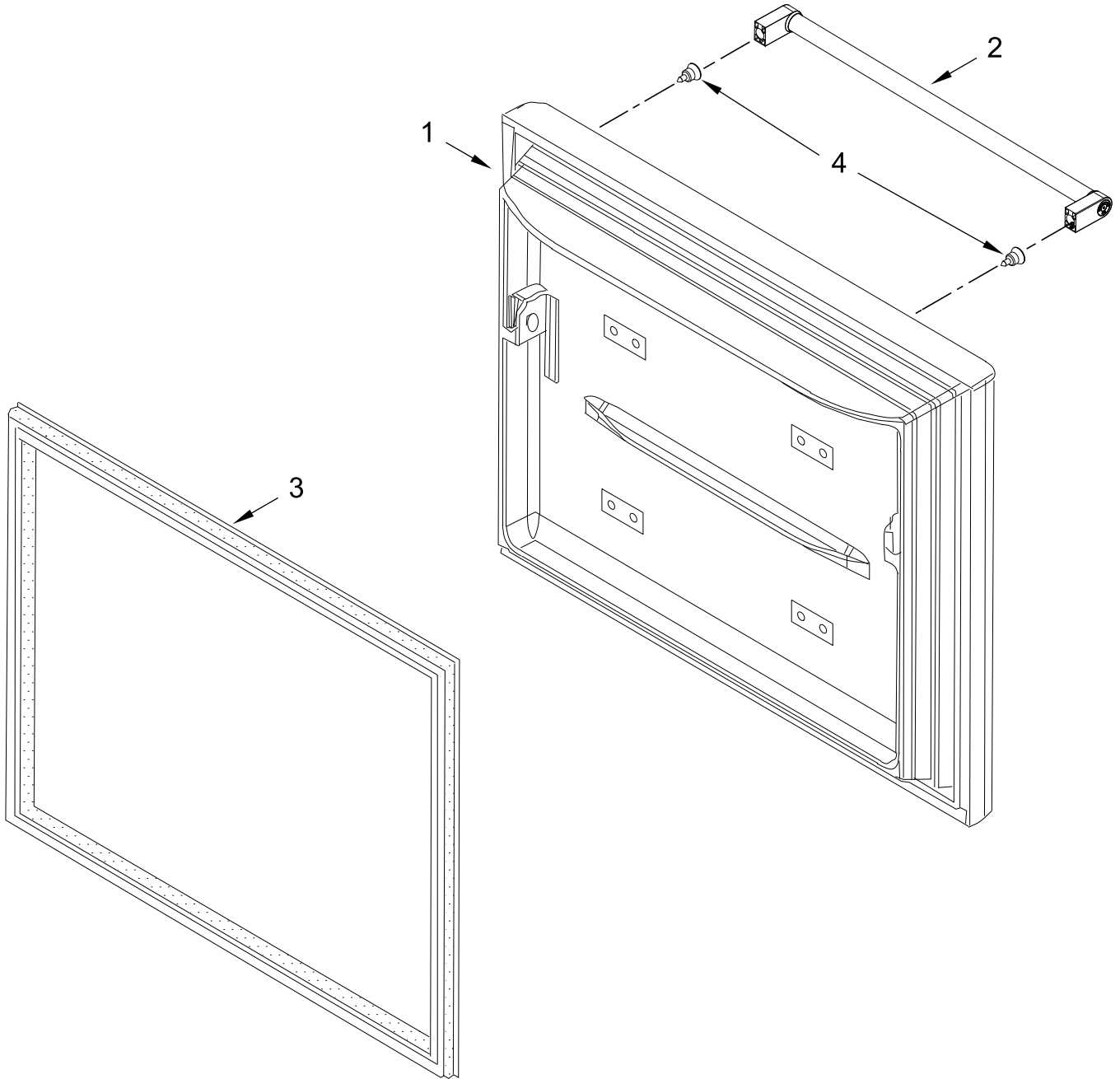
REFRIGERATOR DOOR PARTS



REFRIGERATOR DOOR PARTS

<u>Illus.</u> <u>No.</u>	<u>Part No.</u>	<u>Description</u>	<u>Illus.</u> <u>No.</u>	<u>Part No.</u>	<u>Description</u>	<u>Illus.</u> <u>No.</u>	<u>Part No.</u>	<u>Description</u>
1		Door, Refrigerator	6		Gasket, Door	9		Closure, Door
	13107539S	Stainless		W10443310	Grey		12028505AP	Grey
2	W11328753	Screw	7		Handle, Door	10	W10518672	Badge
3	12804701SP	Door, Dairy		W11339147	Stainless	11	12557904	Retainer, Door
4	12369502SP	Tray, Dairy	8		Stop, Door	12	12990518	Screw
5	W10371194	Bucket, Medium		12968202AP	Grey	13	W10351081	Bucket, Small

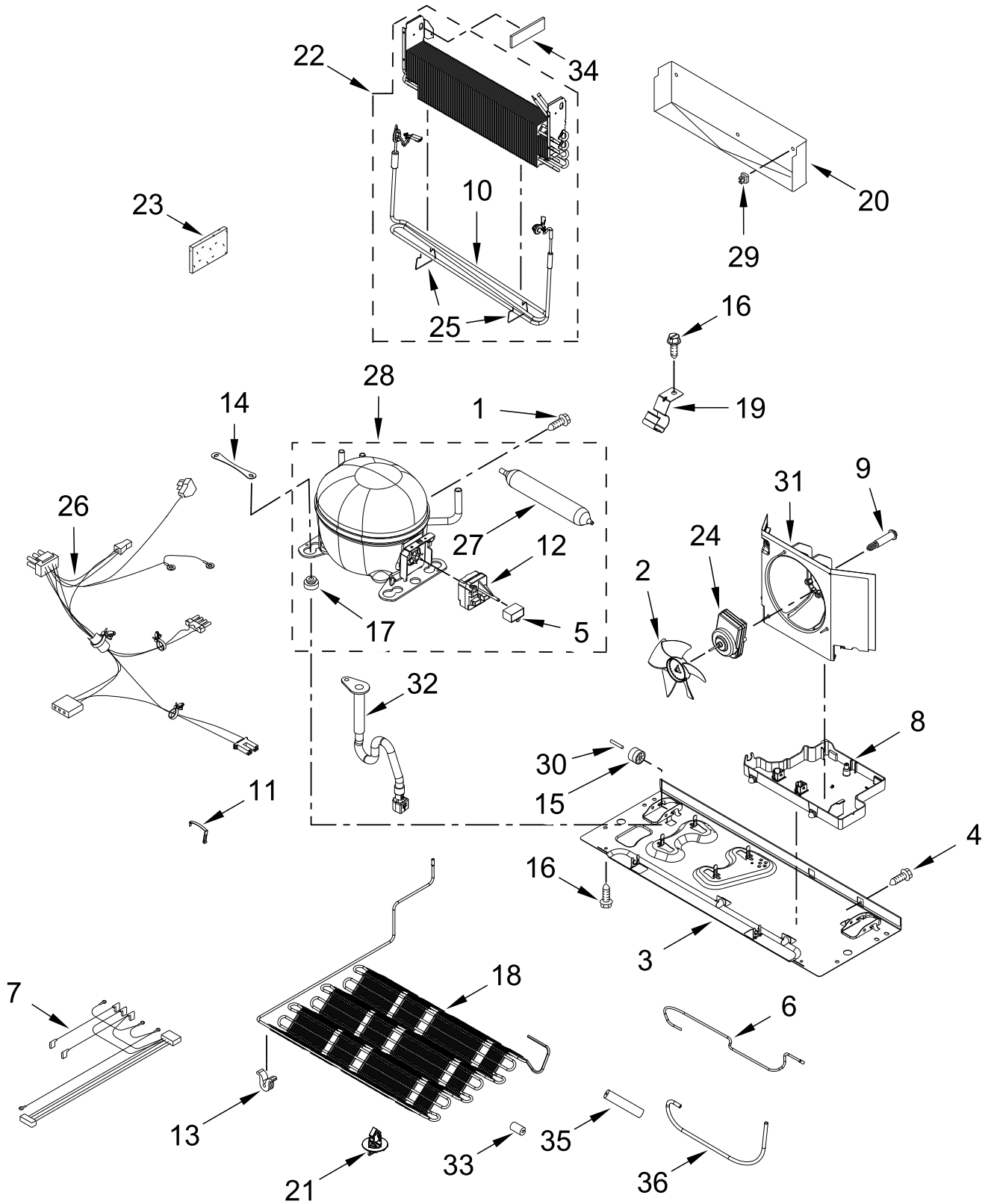
FREEZER DOOR PARTS



FREEZER DOOR PARTS

<u>Illus.</u> <u>No.</u>	<u>Part No.</u>	<u>Description</u>	<u>Illus.</u> <u>No.</u>	<u>Part No.</u>	<u>Description</u>	<u>Illus.</u> <u>No.</u>	<u>Part No.</u>	<u>Description</u>
1	13109223S	Door, Freezer Stainless	2	W11339147	Handle, Door Stainless	3	W10443312	Gasket, Door Grey
						4	W11328753	Screw

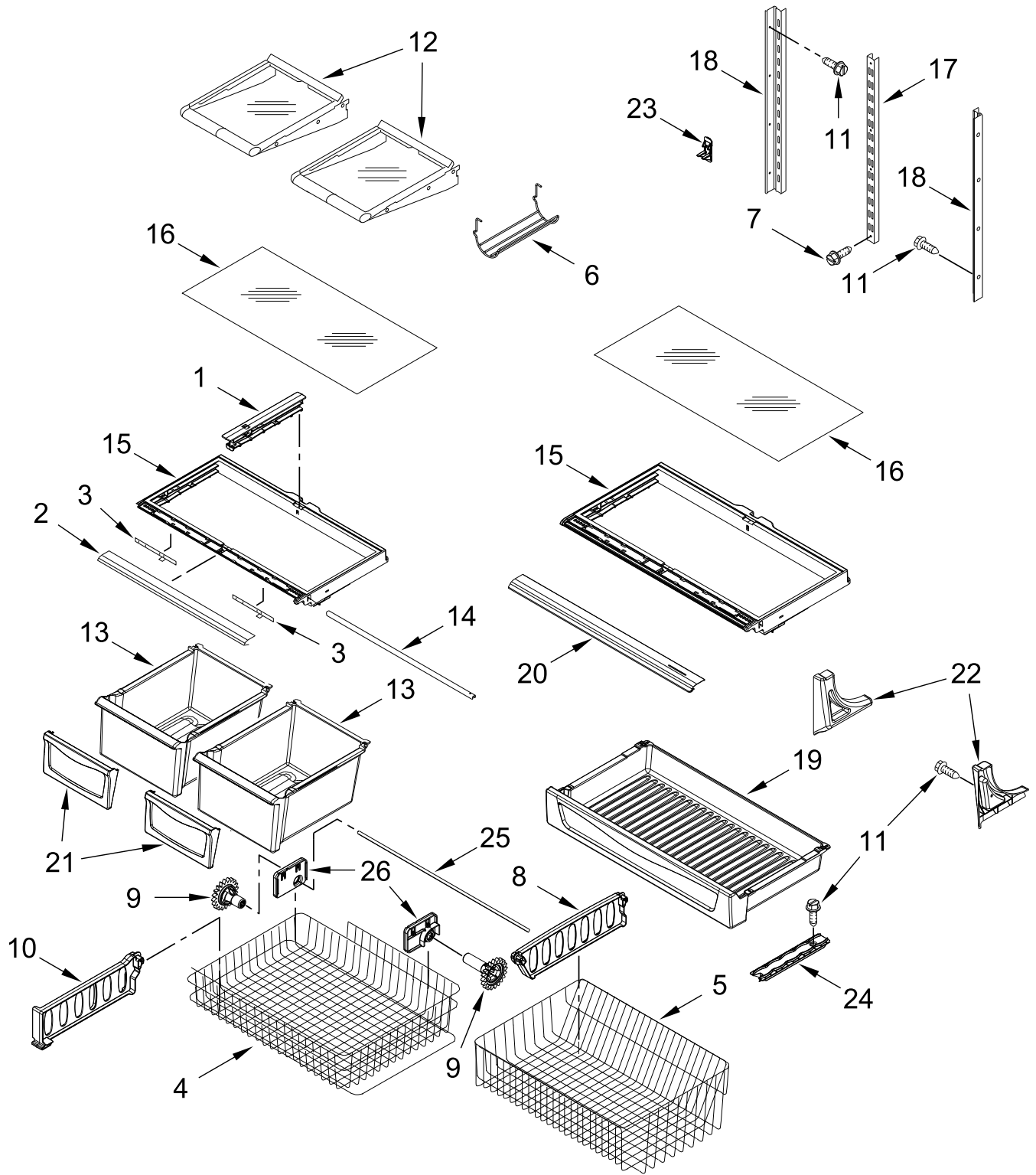
UNIT PARTS



UNIT PARTS

<u>Illus.</u> <u>No.</u>	<u>Part No.</u>	<u>Description</u>	<u>Illus.</u> <u>No.</u>	<u>Part No.</u>	<u>Description</u>	<u>Illus.</u> <u>No.</u>	<u>Part No.</u>	<u>Description</u>
1	12992301	Screw	19	W10281329	Clip, Drier	28	W11332031	Compressor (Also Order the Following Lokring Parts)
2	12825803	Blade, Fan	20	W11337775	Tray, Drip			
3	W11604798	Basepan	21	W10815863	Clip, Condenser			
4	12990511	Screw	22	W11515435	Assembly, Evaporator and Heater		W11504416	8.5/6 NR MS 00 (Suction Tube to Compressor)
5	W10350564	Capacitor			(Also Order the Following Lokring Parts)		W11504431	7/5 NR MS 00 (Discharge Tube to Compressor)
6	W11566599	Tube, Discharge		W11504423	8/2 NR AL 00 (Capillary Tube to Evaporator)		W11506621	6 NK MS 00 (Charging Tube to Compressor)
7	W11305539	Harness, Evaporator (Includes Defrost Thermostat)		W11504415	8.5/8 NR MS 00 (Suction Line to Evaporator)		W11506635	Tube, Charging (1/4 in w/ Schrader Valve)
8	W10655367	Pan, Drain	23	2169104	Insulation, Sound Deadening	29	10623002	Clip, Evaporator
9	W10622701	Screw	24	W11505534	Motor, Condenser Fan	30	12477202	Axle, Roller
10	W11287563	Heater, Evaporator	25	W11380964	Clip, Heater	31	W11463236	Shroud, Condenser Fan
11	W11379613	Strap, Bale	26	W11654034	Harness, Unit (Includes Power Cord)	32	W10622098	Extension, Drain
12	W11359985	Device, Start	27	W11353156	Drier (Also Order the Following Lokring Parts)	33	2319835	Grommet, Condenser
13	W10137529	Grommet, Condenser				34	W11244122	Gasket, Foam
14	W10236396	Strap, Compressor		W11504445	5/4 NR MS 00 (Heat Loop to Drier)	35	W10303521	Sleeve
15	12477102	Roller		W11504447	5/1.8 NR MS 00 (Capillary Tube to Drier)	36	W11566588	Tube, Suction REFRIGERANT CHARGE
16	12992101	Screw						44 grams (R600a)
17	10835903	Grommet						
18	W11353139	Condenser (Also Order the Following Lokring Parts)						
	W11506623	5 NK MS 00 (Discharge Tube to Condenser)						
	W11504432	6/5 NR MS 00 (Heat Loop to Condenser)						

SHELF PARTS



SHELF PARTS

<u>Illus. No.</u>	<u>Part No.</u>	<u>Description</u>	<u>Illus. No.</u>	<u>Part No.</u>	<u>Description</u>	<u>Illus. No.</u>	<u>Part No.</u>	<u>Description</u>
1	W10671238	Rail, Center Crisper	10	W10241046	Divider, Basket (Upper)	22		Support, Pantry
2	W10231481	Trim, Crisper	11	12990513	Screw		12531001	Left Hand
3	12530805SP	Slide, Humidity Control	12	W11358358	Shelf, Stationary	23	12531002	Right Hand
4	W11115255	Basket, Freezer (Upper)	13	12531305	Pan, Crisper	24	12531901	Track, Deli Drawer
5	W11115779	Basket, Freezer (Lower)	14	12227302WD	Brace, Crisper Cover	25	W10802340	Shaft, Rack
6	W10335942	Rack, Hanging Wire	15	W10671240	Frame, Crisper	26		Mount, Gear
7	W10215666	Screw	16	12204823N	Glass, Crisper Cover		W10348259	Left Hand
8	W10146440	Divider, Basket (Lower)	17	W10273463	Ladder, Center		W10348260	Right Hand
9		Gear	18	W10251970	Ladder, Side			
	W10474716	Left Hand	19	W10328331	Drawer, Pantry			
	W10474715	Right Hand	20	W10656984	Trim, Pantry Front			
			21	12643602	Front, Crisper			

OPTIONAL PARTS

<u>Illus.</u> <u>No.</u>	<u>Part No.</u>	<u>Description</u>
		TOUCH-UP PAINT
W10134625		Apollo Grey
		MISCELLANEOUS
212643		Sealer, Gum (4 Feet)
479502		Tape, Vinyl (3/4 x 108")
505587		Sealer, Mastic (1 Qt)
503695		Cork, Sealer
542638		Grease, Silicone (1/2 Oz.)
542639		Cement, Alumilastic (1 1/4 Oz.)
799833		Kit, Evaporator Repair (Aluminum Epoxy)
833938		Kit, Terminal Connector
8003RP		Kit, Water Inlet
		FIELD INSTALLABLE ICE MAKER
W11459724		Icemaker Add-On Kit (Includes Valve & Ice Bin)
		TORX SCREW WRENCH
1117510		Torx Key