



Stainless Steel
KMBP100ESS

Capacity

Total	1.4 cu. ft.
-------	-------------

General Features & Properties

Broil Element

Crispwave™ Technology and Crisper Pan

Sensor Steam Cycle with Steamer Container

1.4 cu. ft. Capacity

Electrical Details

Amps	20
------	----

Volts	240/208
-------	---------

Certifications

ADA Compliant	Yes
---------------	-----

Technical Details

Microwave Type	Built-In
----------------	----------

Lighting Type	Halogen
---------------	---------

Dimensions

Product Dimensions (H x W x D)	18-1/2" x 29-3/4" x 25-1/8"
--------------------------------	-----------------------------

Depth with Door Open 90°	35-5/8"
--------------------------	---------

Cutout Dimensions (H x W x D)	17-5/8" x 28-1/2" x 21-7/8"
-------------------------------	-----------------------------

Reference Material

[Dimension Guide](#)

[Install Guide](#)

[Use & Care Guide](#)

[Warranty](#)

Key Features & Benefits

Convection Cooking

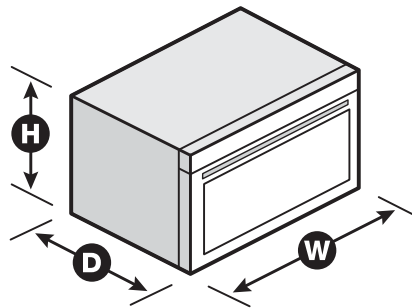
Circulates heat around the oven cavity with a 1200-watt convection element that allows baking at temperatures up to 450° F.

EasyConvect™ Conversion System

Takes the guesswork out of convection cooking by ensuring exceptional results when experimenting with new recipes or familiar favorites.

Professionally-Inspired Design Including Handle, Badge, Graphics, Chrome Chamfer

A bold blend of professionally-inspired styling with sleek touches for the home. This stunning microwave oven features Satin Textured Handles, Precision Touch Controls, a Chrome Inlaid Frame, the KitchenAid® Badge and KitchenAid Brand Medallion.



NOTE: Dimensions are for planning purposes only. For complete details, see Installation Instructions packed with product. Specifications subject to change without notice.