



Stainless Steel with PrintShield™ Finish
KUIX335HPS

Capacity

Ice Capacity Storage 25 lbs

General Features & Properties

Holds 25 Pounds of Ice

Max Ice

PrintShield™ Finish (KUIX335HPS only)

Filter-Ready

Reversible Door

Electrical Details

Amps 15 or 20

Volts 115/120

Technical Details

Ice Maker Type Built-In

Control Location Interior Up Front

Ice Capacity Storage (lbs) 25

Drain Pump Gravity Drain

Installation Option True Flush

Lighting Type LED

Dimensions

Product Dimensions (H x W x D) 34-1/16" x 14-7/8" x 26-1/16"

Depth with Door Open 90° 39-9/16"

Cutout Dimensions (H x W x D) 34-1/2" x 15" x 25"

Reference Material

[Dimension Guide](#)

[Install Guide](#)

[Use & Care Guide](#)

Also available in:

White **KUIX335HWH**

Black **KUIX335HBL**

Key Features & Benefits

Fully Flush Installation with Articulating Hinge

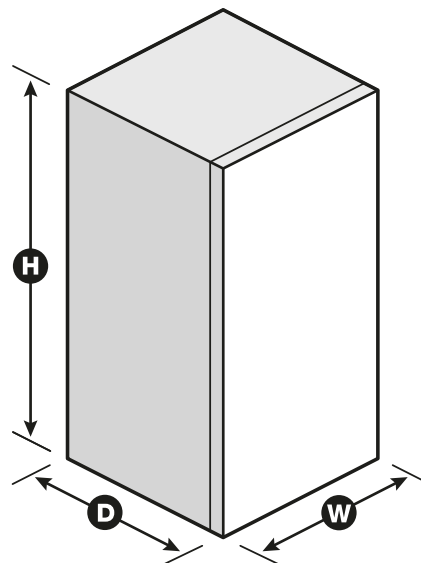
Aligns with surrounding cabinetry for a built-in look, with a hinge that allows the door to open 90 degrees.

Clear Ice Technology

Helps produce cubes of uniform clarity, size and shape that are ideal for everyday use.

Self-Cleaning Cycle

Makes routine maintenance easy using affresh® Ice Maker Cleaner.



NOTE: Dimensions are for planning purposes only. For complete details, see Installation Instructions packed with product. Specifications subject to change without notice.