

ICE MAKER INSTALLATION INSTRUCTIONS

INSTRUCTIONS D'INSTALLATION DE LA MACHINE À GLAÇONS

INSTRUCCIONES DE INSTALACIÓN DE LA FÁBRICA DE HIELO

CONTENTS / TABLE DES MATIÈRES / ÍNDICE

ICE MAKER SAFETY.....1	SÉCURITÉ DE LA MACHINE	SEGURIDAD DE LA FÁBRICA
INSTALLATION INSTRUCTIONS.....2	À GLAÇONS.....19	DE HIELO37
Unpack the Ice Maker.....2	INSTRUCTIONS D'INSTALLATION.....20	INSTRUCCIONES DE INSTALACIÓN.....38
Vacation or Extended Time Without Use.....2	Déballage de la machine à glaçons.....20	Cómo desempacar la máquina de hielo.....38
Location Requirements.....2	Vacances ou longue période d'inutilisation.....20	Vacaciones o tiempo prolongado sin uso.....38
Electrical Requirements.....3	Exigences d'emplacement.....20	Requisitos de ubicación.....38
Water Supply Requirements.....4	Spécifications électriques.....21	Requisitos eléctricos.....39
Drain Connection Requirements.....4	Spécifications de l'alimentation en eau.....22	Requisitos del suministro de agua.....40
Door Reversal.....5	Exigences concernant le raccordement au drain.....22	Requisitos para la conexión del desagüe.....40
Drain Pump Installation (on some models).....8	Inversion de la porte.....23	Cambio del sentido de apertura de la puerta.....41
Connect Water Supply.....11	Installation de la pompe de vidange (sur certains modèles).....26	Instalación de la bomba de desagüe (en algunos modelos).....44
Leveling and Securing.....12	Raccordement à la canalisation d'eau.....29	Conexión del suministro de agua.....47
Custom Wood Panel.....14	Mettre de niveau et sécuriser.....30	Nivelado y asegurado.....48
Connecting the Drain.....16	Panneau de bois personnalisé.....32	Panel de madera personalizado.....50
Auxiliary Grill Installation.....16	Raccordement de la vidange.....34	Conexión del desagüe.....52
Deep Clean.....17	Installation de la grille auxiliaire.....34	Instalación de la rejilla auxiliar.....52
	Nettoyage en profondeur.....35	Limpieza intensa.....53

ICE MAKER SAFETY

Your safety and the safety of others are very important.

We have provided many important safety messages in this manual and on your appliance. Always read and obey all safety messages.



This is the safety alert symbol.

This symbol alerts you to potential hazards that can kill or hurt you and others.

All safety messages will follow the safety alert symbol and either the word "DANGER" or "WARNING."

These words mean:

⚠ DANGER

You can be killed or seriously injured if you don't immediately follow instructions.

⚠ WARNING

You can be killed or seriously injured if you don't follow instructions.

All safety messages will tell you what the potential hazard is, tell you how to reduce the chance of injury, and tell you what can happen if the instructions are not followed.

IMPORTANT SAFETY INSTRUCTIONS

WARNING: To reduce the risk of fire, electric shock, or injury to persons when using your appliance, follow basic precautions, including the following:

- Children should be supervised to ensure that they do not play with the appliance.
- This appliance is not intended for use by persons (including children) with reduced physical, sensory, or mental capabilities, or lack of experience and knowledge, unless they have been given supervision or instruction concerning use of the appliance by a person responsible for their safety.
- Do not use an extension cord.
- If power supply cord is damaged, it must be replaced by the manufacturer, its service agent, or a similarly qualified person in order to avoid a hazard.
- Connect to potable water supply only.
- This appliance is intended to be used in household and similar applications such as: staff kitchen areas in shops, offices, and other working environments; farm houses and by clients in hotels, motels, and other residential-type environments; bed and breakfast-type environments; and catering and similar non-retail applications.
- Do not store explosive substances such as aerosol cans with a flammable propellant in this appliance.
- Do not use replacement parts that have not been recommended by the manufacturer (e.g., parts made at home using a 3D printer).

SAVE THESE INSTRUCTIONS

INSTALLATION INSTRUCTIONS

Unpack the Ice Maker

WARNING

Excessive Weight Hazard

**Use two or more people to move and install ice maker.
Failure to do so can result in back or other injury.**

Removing Packaging Materials

Remove tape and glue from your ice maker before using.

- To remove any remaining tape or glue from the exterior of the ice maker, rub the area briskly with your thumb. Tape or glue residue can also be easily removed by rubbing a small amount of liquid dish soap over the adhesive with your fingers. Wipe with warm water and dry.
- Do not use sharp instruments, rubbing alcohol, flammable fluids, or abrasive cleaners to remove tape or glue. Do not use chlorine bleach on the stainless steel surfaces of the ice maker. These products can damage the surface of your ice maker.

Cleaning Before Use

After you remove all of the packaging materials, clean the inside of your ice maker before using it. See the cleaning instructions in the "Ice Maker Care" section of Use and Care Guide.

Vacation or Extended Time Without Use

- When you will not be using the ice maker for an extended period of time, turn off the water and power supply to the ice maker.
- Check that the water supply lines are insulated against freezing conditions. Ice formations in the supply lines can increase water pressure and cause damage to your ice maker or home. Damage from freezing is not covered by the warranty.

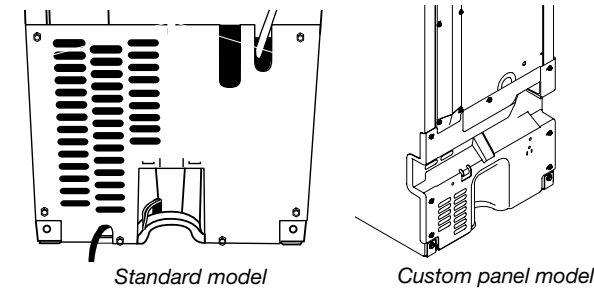
Location Requirements

- Installation must comply with all governing codes and ordinances.
- To ensure proper ventilation for your ice maker, the front side must be completely unobstructed. The ice maker may be closed-in on the top and three sides, but the installation should allow the ice maker to be pulled forward for servicing if necessary.
- The auxiliary grill kit provided (only on custom panel models) can be used to align the toe grill with the rest of the cabinets while not obstructing ventilation of the ice maker.
- Installation of the ice maker requires a cold water supply inlet of 1/4" (6.35 mm) OD soft copper tubing with a shutoff valve or a Whirlpool supply line Part Number 8212547RB, and a Whirlpool approved drain pump, Part Number 1901A, only to carry the water to an existing drain.
- Choose a well-ventilated area with temperatures above 55°F (13°C) and below 110°F (43°C). Best results are obtained between 70°F and 90°F (21°C and 32°C).
- The ice maker must be installed in an area sheltered from the elements, such as wind, rain, water spray, or drip.
- When installing the ice maker under a counter, follow the recommended opening dimensions shown. Place electrical and plumbing fixtures in the recommended location as shown.

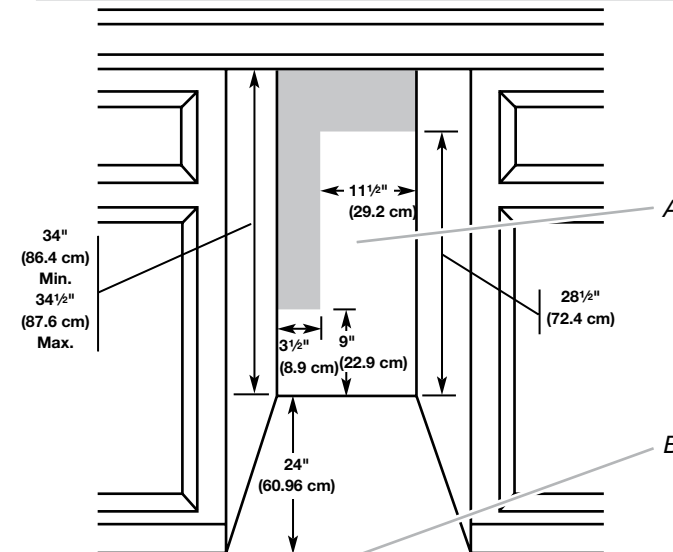
NOTES:

- Check that the power supply cord is not damaged or pinched or kinked between the ice maker and the cabinet.
- Check that the water supply line is not damaged or pinched or kinked between the ice maker and the cabinet.
- Check that the drain line (on some models) is not damaged or pinched or kinked between the ice maker and the cabinet.
- Choose a location where the floor is even. It is important for the ice maker to be level in order to work properly. If needed, you can adjust the height of the ice maker by changing the height of the leveling legs. See "Leveling and Securing."

Model Identification:

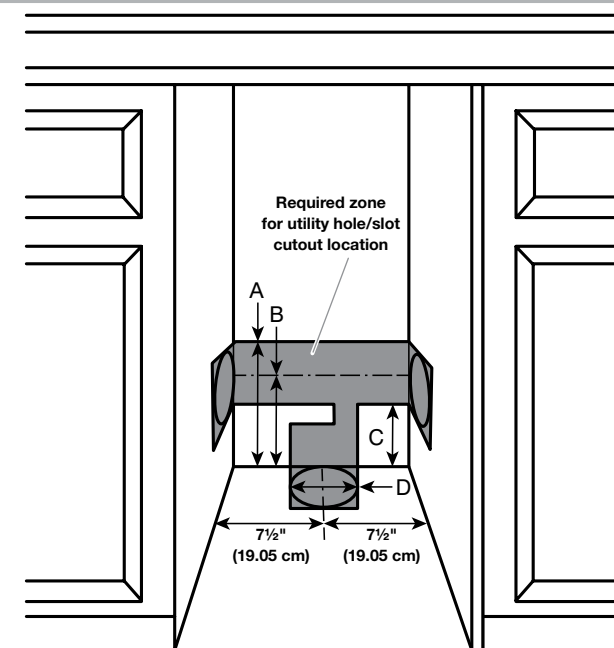


Standard Model Utilities



A. Recommended location for electrical and plumbing fixtures
B. Floor level

Custom Panel Model Utilities



Utility Slot/Cutout Location Zone	
Dimension	A 9" (22.9 cm)
	B 8" (20.3 cm)
	C 7" (17.8 cm)
Diameter of the hole	D 2" (5 cm)

- Custom Panel ice maker models have been designed for flush install in instances where the power supply, water supply, and drain are located in adjacent cabinetry.
- For installation of product with utilities behind the ice maker, flush install may not be achieved.
- Refer "Custom Panel Model Utilities" illustration and table below it for utility slot/hole cutout location.

Electrical Requirements

WARNING



Electrical Shock Hazard

**Plug into a grounded 3 prong outlet.
Do not remove ground prong.
Do not use an adapter.
Do not use an extension cord.
Failure to follow these instructions can result in death,
fire, or electrical shock.**

Before you move your ice maker into its final location, it is important to make sure you have the proper electrical connection:

A 115 V, 60 Hz, AC only, 15 A or 20 A electrical supply, properly grounded in accordance with the National Electrical Code and local codes and ordinances, is required.

It is recommended that a separate circuit, serving only your ice maker, be provided. Use a receptacle which cannot be turned off by a switch or pull chain.

IMPORTANT: If this product is connected to a GFCI (Ground Fault Circuit Interrupter) equipped outlet, nuisance tripping of the power supply may occur, resulting in loss of cooling. Ice quality may be affected. If nuisance tripping has occurred, and if the condition of the ice appears poor, dispose of it.

Recommended Grounding Method

The ice maker must be grounded. The ice maker is equipped with a power supply cord having a 3 prong grounding plug. The cord must be plugged into a mating, 3 prong, grounding-type wall receptacle, grounded in accordance with the National Electrical Code and local codes and ordinances. If a mating wall receptacle is not available, it is the personal responsibility of the customer to have a properly grounded, 3 prong wall receptacle installed by a qualified electrician.

Water Supply Requirements

Check that the water supply lines are insulated against freezing conditions. Ice formations in the supply lines can increase water pressure and damage your ice maker or home. Damage from frozen supply lines is not covered by the warranty.

A cold water supply with water pressure of between 30 psi and 120 psi (207 kPa and 827 kPa) is required to operate the ice maker. If you have questions about your water pressure, call a licensed, qualified plumber.

Reverse Osmosis Water Supply

IMPORTANT:

- Connect to potable water only.

Do not use with water that is microbiologically unsafe or of unknown quality without adequate disinfection before or after the system. Systems certified for cyst reduction may be used on disinfected waters that may contain filterable cysts.

- The pressure of the water supply coming out of a reverse osmosis system going to the water inlet valve of the ice maker needs to be between 30 psi and 120 psi (207 kPa and 827 kPa).

If a reverse osmosis water filtration system is connected to your cold water supply, the water pressure to the reverse osmosis system needs to be a minimum of 40 psi to 60 psi (276 kPa to 414 kPa).

NOTE: The reverse osmosis system must provide 1 gal. (3.8 L) of water per hour to the ice maker for proper ice maker operation. If a reverse osmosis system is desired, only a whole-house capacity reverse osmosis system, capable of maintaining the steady water supply required by the ice maker, is recommended. Faucet capacity reverse osmosis systems are not able to maintain the steady water supply required by the ice maker.

If the water pressure to the reverse osmosis system is less than 40 psi to 60 psi (276 kPa to 414 kPa):

- Check to see whether the sediment filter in the reverse osmosis system is blocked. Replace the filter if necessary.
- Allow the storage tank on the reverse osmosis system to refill after heavy usage.

If you have questions about your water pressure, call a licensed, qualified plumber.

Drain Connection Requirements

Gravity Drain System

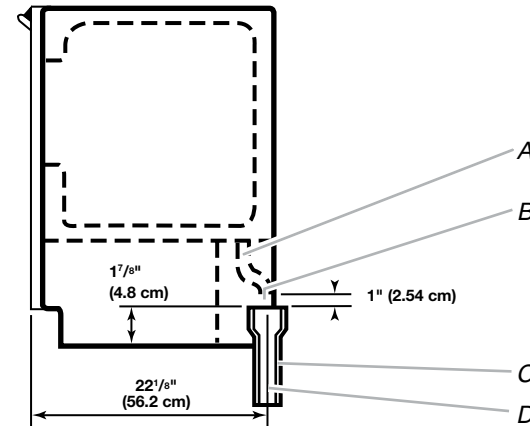
Connect the ice maker drain to your drain in accordance with all state and local codes and ordinances. If the ice maker is provided with a gravity drain system, follow these guidelines when installing drain lines. This will help keep water from flowing back into the ice maker storage bin and potentially flowing onto the floor, causing water damage.

- Drain lines must have a minimum of 5/8" (15.88 mm) I.D. (inside diameter).
- Drain lines must have a 1" drop per 48" (2.54 cm drop per 122 cm) of run or 1/4" drop per 12" (6.35 mm per 30.48 cm) of run and must not have low points where water can settle.
- The floor drains must be large enough to accommodate drainage from all drains.

- The ideal installation has a standpipe with a 1½" (3.81 cm) to 2" (5.08 cm) PVC drain reducer installed directly below the outlet of the drain tube as shown. You must maintain a w1" (2.54 cm) air gap between the drain hose and the standpipe.
- Do not connect the outlet end of the drain tube to a closed pipe system to keep drain water from backing up into the ice maker.

IMPORTANT: A drain pump is necessary when a floor drain is not available. A Drain Pump kit, Part Number 1901A, is available for purchase.

Side View



- A. Drain hose
 B. 1" (2.54 cm) air gap
 C. PVC drain reducer 2" - 1 1/2" (5 cm - 3.8 cm)
 D. Center of drain should be 22 1/8" (56.2 cm) from front of door, with or without the 3/4" (1.91 cm) panel on the door. The drain should also be centered from left to right (7 5/16" [18.56 cm] from either side of the ice maker).

Drain Pump System (on some models)

IMPORTANT:

- Connect the ice maker drain to your drain in accordance with the International Plumbing Code and any local codes and ordinances.
- The drain pump discharge line must terminate at an open-site drain.
 - Maximum rise 10 ft (3.1 m)
 - Maximum run 100 ft (30.5 m)

NOTES:

- If the drain hose becomes twisted and water cannot drain, your ice maker will not work.
- It may be desirable to insulate the drain line thoroughly up to the drain inlet. An Insulation Sleeve kit, Part Number W10365792, is available for purchase.
- Do not connect the outlet end of the drain tube to a closed pipe system to keep drain water from backing up into the ice maker.
- Drain pump maximum capability: For every 1 ft (0.31 m) of rise, subtract 10 ft (3.1 m) of maximum allowable run.

Door Reversal

⚠ WARNING



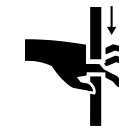
Electrical Shock Hazard

Disconnect power before servicing.

Replace all parts and panels before operating.

Failure to do so can result in death or electrical shock.

⚠ WARNING



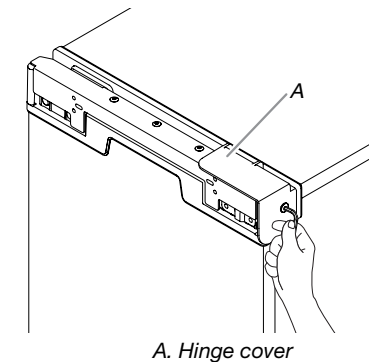
Crush Hazard

Articulated hinges are self closing and many pinch points exist prior to cabinet installation.

Do not remove hinge covers until product is ready to be installed.

Failure to follow these instructions can result in crush, cut, or pinch injuries.

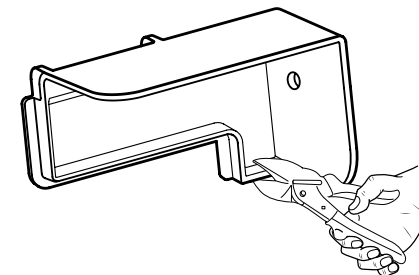
1. Unplug the ice maker or disconnect power.
2. Remove the screws attaching top and bottom hinge covers using a 3/16" hex driver.



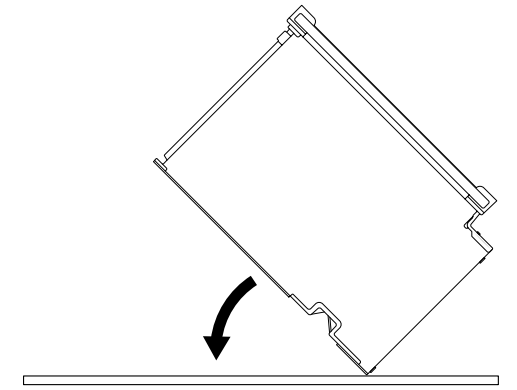
A. Hinge cover

3. Using pliers, remove the hinge covers from the top and bottom hinges.

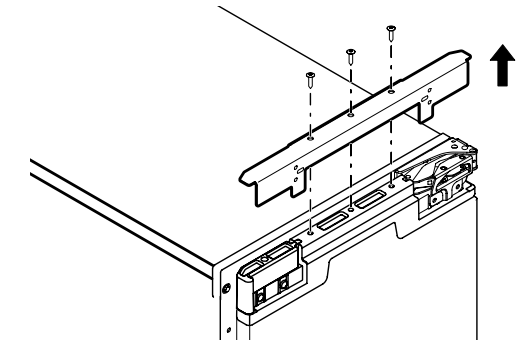
NOTE: Save the hinge covers for future use. Reinstall the hinge covers if product is removed from cabinet installation.



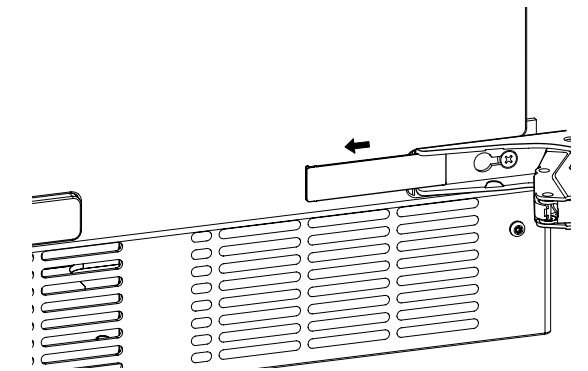
4. Lay down the ice maker as shown in the illustration. Be sure to cover the floor with cardboard or hardboard to avoid damaging it.



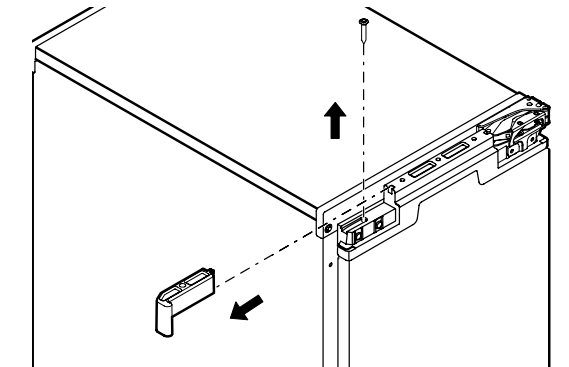
5. Remove the screws holding the stainless steel panel from the bottom of the door. Set the stainless steel panel and screws aside. For custom panel model, Remove the screws and the top metal bracket using the Phillips screwdriver. Place them aside.



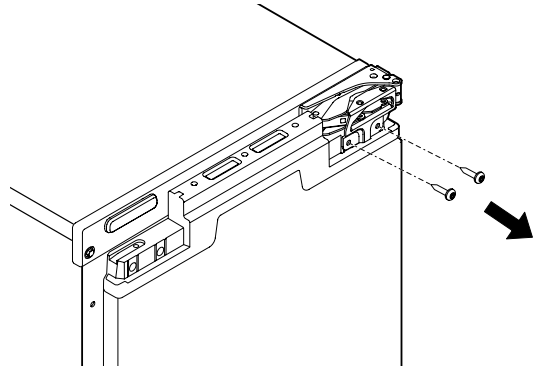
6. Remove the plastic screw cover from the inside of the hinges and set aside.



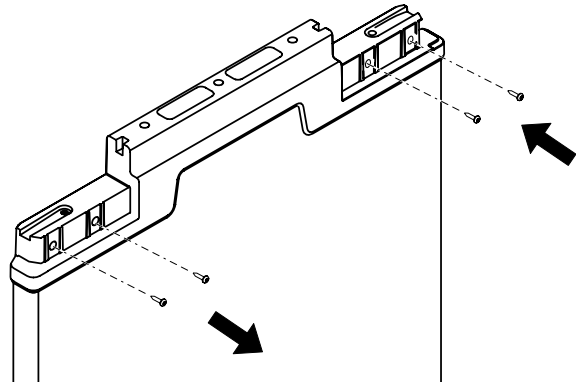
7. Remove the top and bottom plastic end caps from the door.



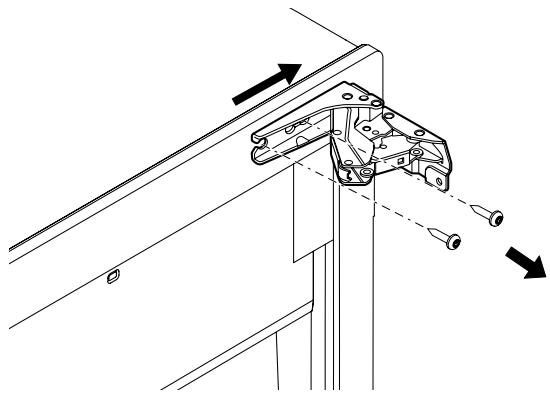
8. Unscrew the door hinge screws completely from top and bottom hinges and place them aside.



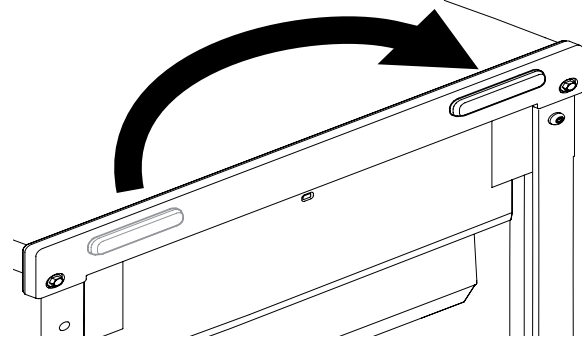
9. Remove the door and place it aside. Swap the hinge screws to the opposite side.



10. Remove the screws and hinges from the cabinet with the Torx T25 screwdriver and place them aside.

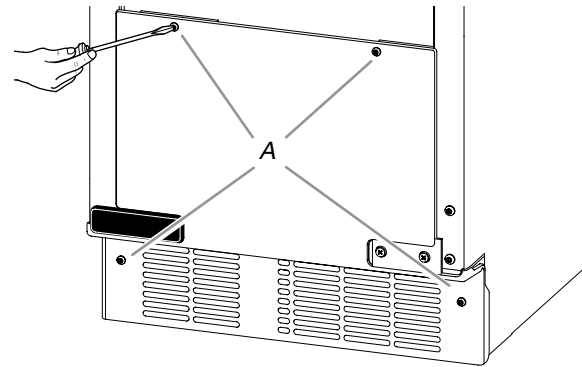


11. Remove the screw cap cover and replace on the other side.



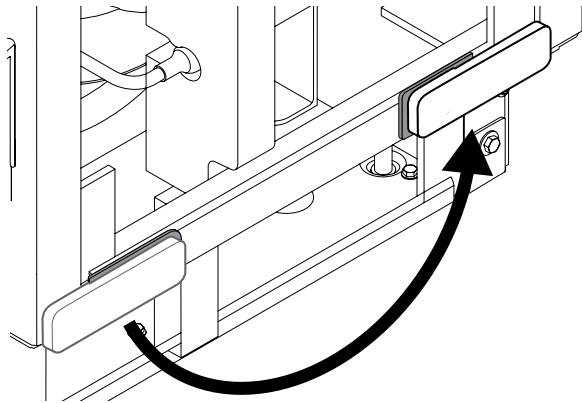
Preparing the Bottom Hinges

1. Unscrew and remove the grill cover using a Torx T20 screwdriver. Place them aside.

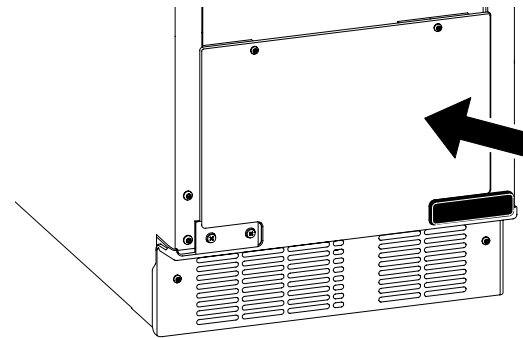


A. Grill cover screws

2. Remove the screw cover and place it on the other side as shown in the illustration.

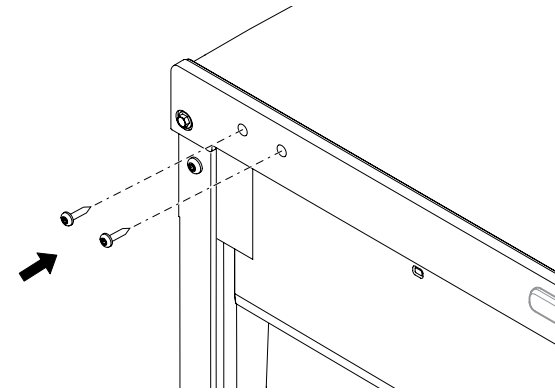


3. Reinstall the grill cover.

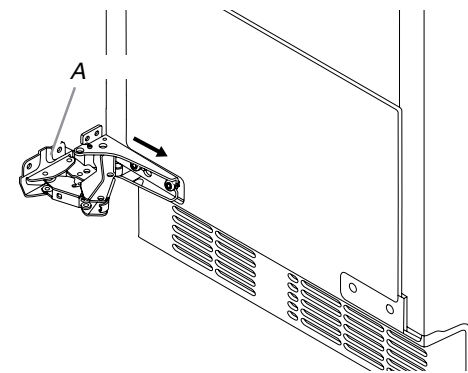


Reversing the Hinges and End Caps

1. Install the hinge screws (placed aside in step 10 of "Door Panel and Hinge Removal") half way on the desired side of the cabinet.

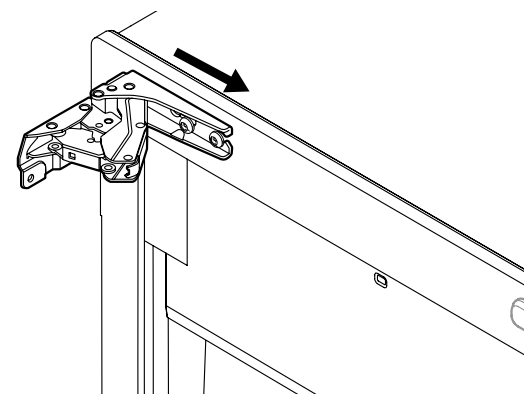


2. Take the original top hinge, flip it and place it in the bottom hinge position on the opposite side. Slide onto the cabinet hinge screws. The hinge tabs on the hinges should always face towards each other.



A. Hinge tab

3. Take the original bottom hinge, flip it and place it in the top hinge position on the opposite side. Slide onto the cabinet hinge screws.

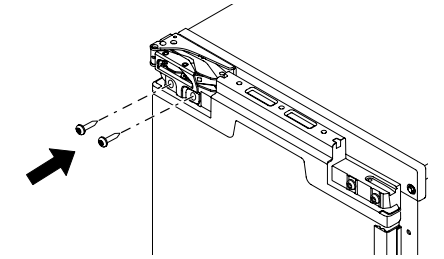


4. Fully tighten the top and bottom hinge screws.

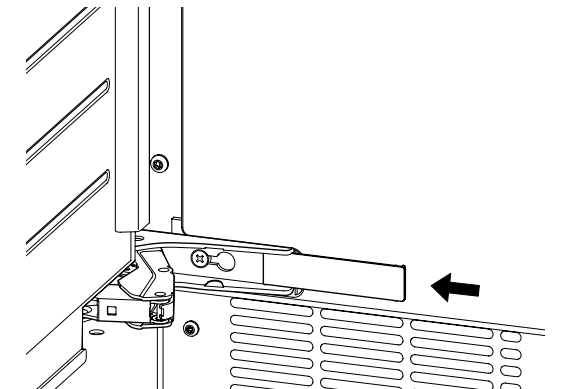
Final Door Placement

NOTE: Before placing the door back on the ice maker, check all installed parts to ensure there are no exposed screws, all screw cover caps are on, and the door is facing the correct way with the stainless steel door facing out.

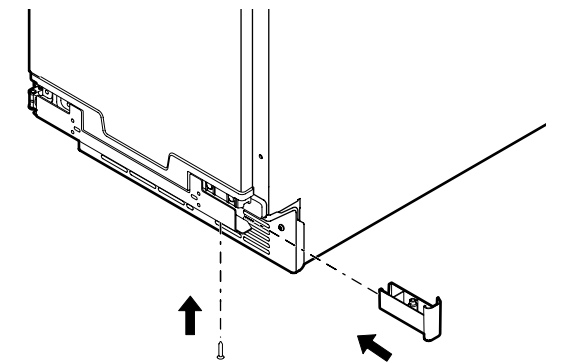
1. Slide the door onto the hinges. Using Torx T25 screwdriver install the screws (removed in the step 6 of "Removing the Hinges" section) onto the door.



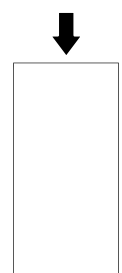
2. Reinstall the plastic screw cover to original locations on the hinges.



3. Reinstall the top and bottom end caps on the door (the top right end cap is now the bottom left end cap and vice versa). **NOTE:** For custom wood install skip this step.



4. Place the steel door panel back on the door once all screws are tightened. For custom door panel, skip this step.



⚠ WARNING



Crush Hazard

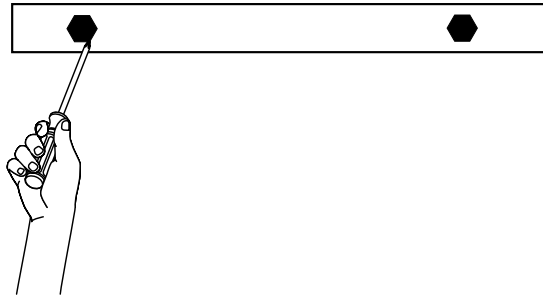
Articulated hinges are self closing and many pinch points exist prior to cabinet installation.

Do not operate, or close, the hinges while they are removed from the ice maker.

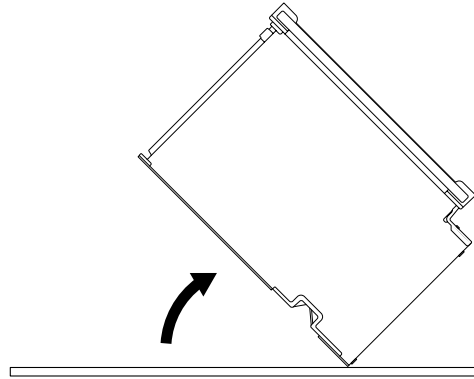
Failure to follow these instructions can result in crush, cut, or pinch injuries.

¹Torx, T20 and T25 are trademarks of Acument Intellectual Properties, LLC.

- Screw the two hex heads screws back in at the bottom of the door. For custom door panel, skip this step.

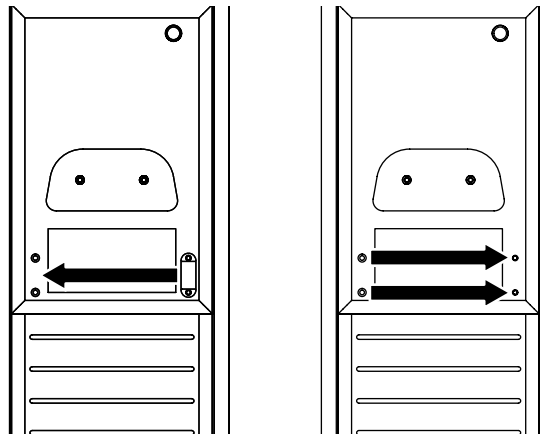


- Return the ice maker back to upright position.



Reverse Door Catch

- Remove the white decorative screws from the opposite side of the door and set aside.
- Remove the screws from the magnetic door catch and place them on the opposite side of the door.



- Install the white decorative screws on the opposite side of the door.

⚠ WARNING



Electrical Shock Hazard

- Plug into a grounded 3 prong outlet.
- Do not remove ground prong.
- Do not use an adapter.
- Do not use an extension cord.
- Failure to follow these instructions can result in death, fire, or electrical shock.

- Plug into a grounded 3 prong outlet.

Drain Pump Installation (on some models)

NOTES:

- Connect drain pump to your drain in accordance with all state and local codes and ordinances.
- It may be desirable to insulate drain tube thoroughly up to drain inlet to minimize condensation on the drain tube. Insulated tube kit Part Number W10365792 is available for purchase.
- Drain pump is designed to pump water to a maximum height of 10 ft (3 m). Use only Whirlpool approved drain pump kit Part Number 1901A.
- Do not connect the outlet end of the drain tube to a closed pipe system to keep drain water from backing up into the ice maker.

Kit Contains:

- Drain pump kit Part Number 1901A
- 5/8" I.D. x 5 1/8" drain tube (ice maker bin to drain pump reservoir inlet)
- 1/2" I.D. x 10 ft (3 m) drain tube hose (drain pump discharge to household drain)
- 5/16" I.D. x 32" (81 cm) vent tube (drain pump reservoir vent to ice maker cabinet back)
- Cable tie (secures vent tube to back of ice maker) (1)
- #8-32 x 3/8" pump mounting screws (secures drain pump to baseplate and clamps to back of ice maker) (5)
- 5/8" small adjustable hose clamp (secures vent to drain pump)
- 7/8" large adjustable hose clamp, (secures drain tube to ice maker bin and drain pump reservoir inlet) (3)
- Rear panel (2)
- Instruction sheet

If Ice Maker Is Currently Installed

NOTE: If ice maker is not installed, please proceed to "Drain Pump Installation" section.

- Push the selector switch to the OFF position.

⚠ WARNING

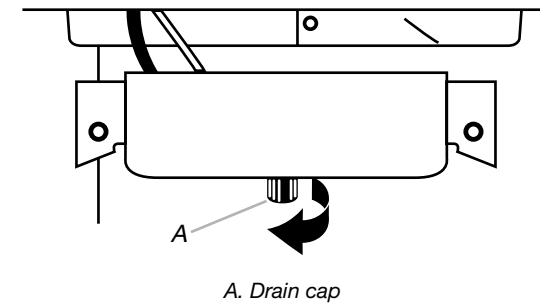


Electrical Shock Hazard

- Disconnect power before servicing.
- Replace all parts and panels before operating.
- Failure to do so can result in death or electrical shock.

- Unplug ice maker or disconnect power.
- Turn off water supply. Wait 5 to 10 minutes for the ice to fall into the storage bin. Remove all ice from bin.
- Unscrew the drain cap from the bottom of the water pan located inside the storage bin. Allow water to drain completely. Replace drain cap. See "Drain Cap" illustration.

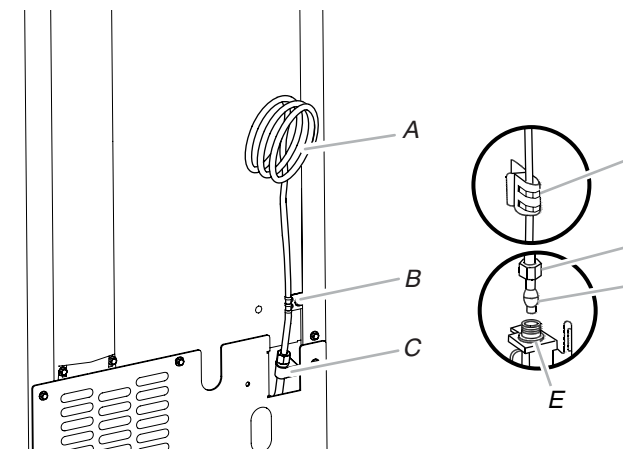
Drain Cap



A. Drain cap

- If ice maker is built into cabinets, pull ice maker out of the opening.
- Disconnect water supply line. See "Water Supply Line" illustration.

Water Supply Line



A. 1/4" copper tubing
B. Cable clamp
C. 1/4" compression nut

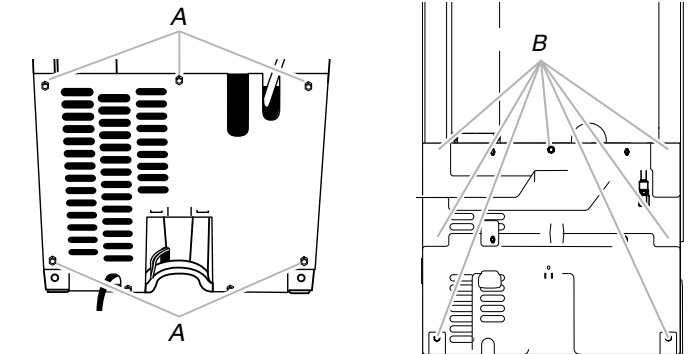
D. Ferrule (sleeve)
E. Ice maker connection

Drain Pump Installation

NOTE: Do not kink, smash or damage tubes or wires during installation.

- Unplug ice maker or disconnect power.
- Remove rear panel. See "Rear Panel" illustration for screw locations. Pull rear panel away from the drain tube. For standard model discard the rear panel. For Custom panel model, set aside the rear panel (it will be reused in step 17).

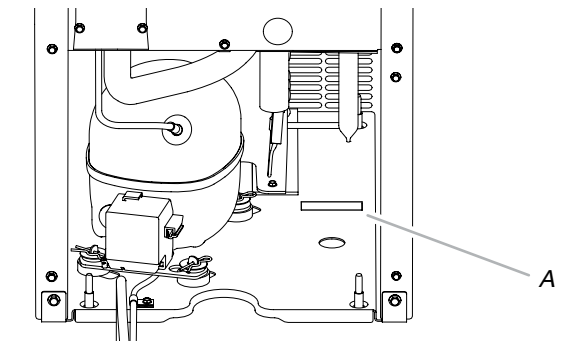
Rear Panel



A. Screw locations for standard model
B. Screw locations for custom panel model

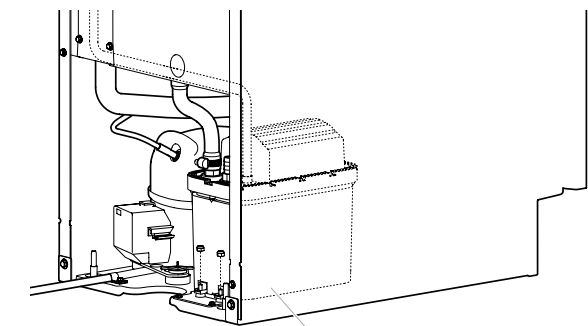
- Remove the old drain tube and clamp attached to the ice maker bin.
NOTE: Discard old drain tube and clamp.
- Slide drain pump into the ice maker base on the right side. The pump mounting tab should slip into the rectangular slot in the ice maker base. It will be necessary to tip the pump slightly to slip into the slot. See "Drain Pump Mounting Tab Slot" illustration.

Drain Pump Mounting Tab Slot



A. Mounting tab slot

Drain Pump Installed

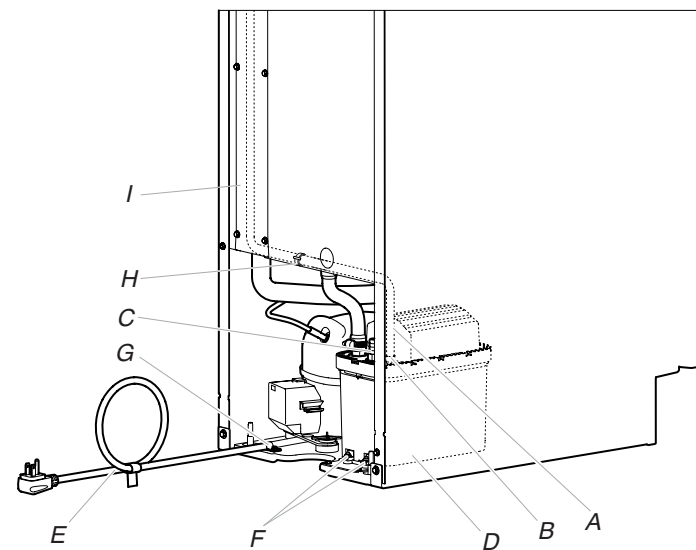


A. Drain pump installed

- Align the 2 screw holes at the rear of the pump. Use two #8-32 x 3/8" screws, supplied. See "Parts Locations" illustration.
- Install vent tube (5/16" I.D. x 32" [81 cm]) to drain pump reservoir vent behind the wiring cover. Use supplied 5/8" small adjustable clamps. See "Parts Locations" illustration. Use plastic retainer to keep vent hose secure to top of inner deck.

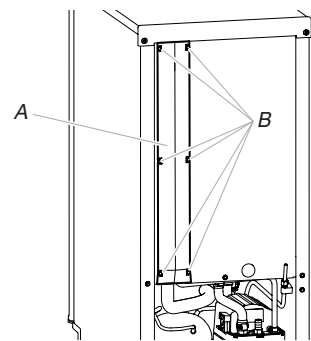
NOTE: Do not install household drain tube this time.

Parts Locations



- A. Vent tube
- B. 5/8" hose clamp
- C. Drain pump discharge tube
- D. Drain pump
- E. Ice maker unit power cord
- F. #8-32 x 3/8" pump mounting screws
- G. Drain pump power cord, clamp and screw
- H. Plastic retainer
- I. Wiring cover

- Remove wiring cover. Refer following illustration for location of the screws.

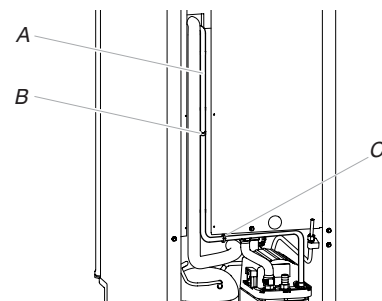


- A. Wiring cover
- B. Screws

- Route vent tube through plastic retainer that is located underneath top deck in open pump area as shown in illustration. Using cable tie, tie the vent tube to the black suction tube which is located behind the wiring cover. Refer "Vent Tube" illustration.

Vent Tube

NOTE: Do not pinch, kink or damage the vent tube. Check that it is not damaged or pinched or kinked between the cabinet and the ice maker.



- A. Vent tube
- B. Cable ties
- C. Plastic retainer

- Secure wiring cover back in place.
- Remove power cord clamp and ground screw attached to ice maker power cord, which is mounted to the unit base. See "Parts Locations" illustration.

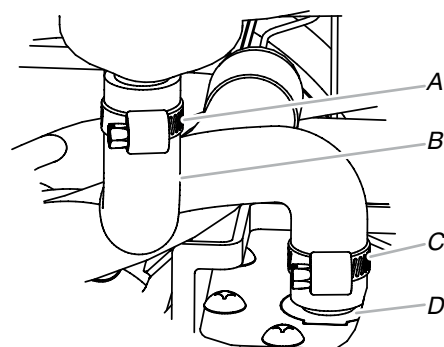
NOTE: Clamp and screw will be reused.

- Coil ice maker power cord into a 4" (10.2 cm) diameter coil. Wrap electrical tape around the power cord in several places to keep the cord in a coil. Locate coiled power cord between the drain pump and side of enclosure and plug into the receptacle of the drain pump. See "Parts Locations" illustration.
- Attach the drain pump power cord to ice maker unit base with clamp and screw (removed in Step 6) that was used to attach ice maker power cord. See "Parts Locations" illustration.
- Install new drain tube (5/8" I.D. x 5 1/8") from ice maker bin to drain pump reservoir inlet using new adjustable clamps. See "Drain Tube" illustration.

NOTES:

- Do not kink.
- Trim tube length if required.

Drain Tube



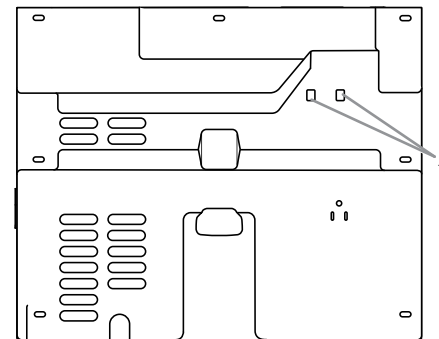
- A. 7/8" adjustable hose clamp
- B. Drain tube (ice bin to drain pump)
- C. 7/8" adjustable hose clamp
- D. Drain pump reservoir inlet

- Attach 1/2" I.D. x 10 ft (3 m) drain tube to pump discharge tube. See "Parts Locations" illustration.

NOTE: Do not connect outlet end of drain tube to a closed pipe system to keep drain water from backing up into the ice maker.

For standard model, skip to step 17.

- Install the cable tie on the rear panel using two holes provided on the rear panel.



- A. Holes to fix the cable tie

- Using a cable tie, fix the drain tube to rear panel.
- For standard model, place new rear panel (small one for 15" ice makers, large one for 18") against the back of the ice maker. For custom panel model, reuse the plastic rear panel (removed in step 2). Route the vent tube and drain pump discharge tube through cutouts in the rear panel.
- Secure rear panel with original screws. See "Rear Panel" illustration.
- Check all connections for leaks.

Connect Water Supply

Read all directions before you begin.

IMPORTANT:

- Connect to potable water only.

Do not use with water that is microbiologically unsafe or of unknown quality without adequate disinfection before or after the system. Systems certified for cyst reduction may be used on disinfected waters that may contain filterable cysts.

- Plumbing shall be installed in accordance with the International Plumbing Code and any local codes and ordinances.
- Use copper tubing or Whirlpool supply line, Part Number 8212547RP, and check for leaks.
- Install tubing only in areas where temperatures will remain above freezing.

Tools Needed:

Gather the required tools and parts before starting installation:

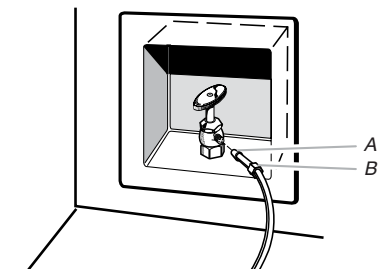
- 7/16" and 1/2" open-end wrenches or two adjustable wrenches

NOTE: Do not use a piercing-type or 3/16" (4.76 mm) saddle valve which reduces water flow and clogs more easily.

Connecting the Water Line

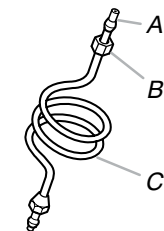
- Turn off main water supply. Turn on nearest faucet long enough to clear line of water.
- Using a 1/2" copper supply line with a quarter-turn shutoff valve or the equivalent, connect the ice maker as shown.

NOTE: To allow sufficient water flow to the ice maker a minimum 1/2" diameter home supply line is recommended.



- A. Bulb
- B. Nut

- Now you are ready to connect the copper tubing. Use 1/4" (6.35 mm) O.D. soft copper tubing for the cold water supply.
 - Ensure that you have the proper length needed for the job. Be sure both ends of the copper tubing are cut square.
 - Slip compression sleeve and compression nut on copper tubing as shown. Insert end of tubing into outlet end squarely as far as it will go. Screw compression nut onto outlet end with adjustable wrench. Do not overtighten.
 - For custom panel install, be sure there water line extends 30" beyond the cabinet for future servicing purpose

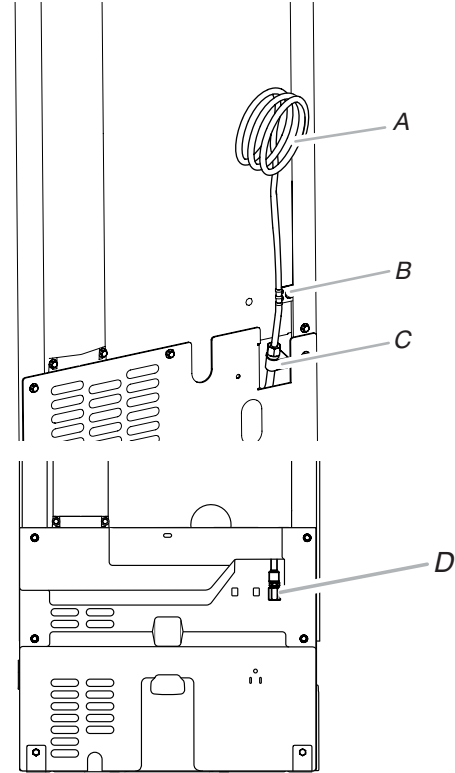


- A. Compression sleeve
- B. Compression nut
- C. Copper tubing

- Place the free end of the tubing into a container or sink, and turn on main water supply and flush out tubing until water is clear. Turn off shutoff valve on the water pipe. **IMPORTANT:** Always drain the water line before making the final connection to the inlet of the water valve to avoid possible water valve malfunction.

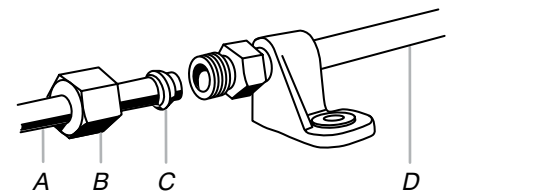
- Water inlet tube is located on the rear side of the ice maker as shown in "Rear View" illustration. Bend the copper tubing to match with water line inlet. Leave the coil of copper tubing as it is to allow the ice maker to be pulled out of the cabinet or away from the wall for service.

Rear View



- A. Copper tubing
- B. Water supply tube clamp
- C. Inlet water tube clamp and supply line connector for standard model
- D. Inlet water tube for custom panel model

- Remove and discard the short, plastic tube from the end of the water line inlet.
 - Thread the nut onto the end of the tubing. Tighten the nut by hand. Then tighten it with a wrench two more turns. Do not overtighten.
- NOTE:** To avoid rattling, be sure the copper tubing does not touch the cabinet's side wall or other parts inside the cabinet.



- A. Line to ice maker
 - B. Compression nut
 - C. Compression sleeve
 - D. Supplied line from ice maker
- Install the water supply tube clamp around the water supply line to reduce strain on the coupling. For custom panel models, skip this step.
 - Turn shutoff valve ON.
 - Check for leaks. Tighten any connections (including connections at the valve) or nuts that leak.

Leveling and Securing

It is important for the ice maker to be level in order to work properly. Depending upon where you install the ice maker, you may need to make several adjustments to level it. You may also use the leveling legs to lower the height of the ice maker for undercounter installations.

Tools Needed

Gather the required tools and parts before starting installation.

- Level
- Adjustable wrench

NOTE: It is easier to adjust the leveling legs if you have another person to assist you.

⚠ WARNING

Excessive Weight Hazard

Use two or more people to move and install ice maker. Failure to do so can result in back or other injury.

- Move the ice maker in front of its final location. Be sure to cover the floor with cardboard or hardboard to avoid damaging it.

NOTE: If this is a built-in installation, move the ice maker as close as possible to the final location.

⚠ WARNING



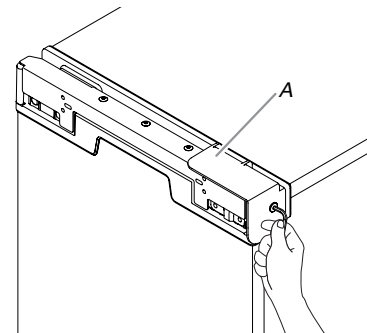
Crush Hazard

Articulated hinges are self closing and many pinch points exist prior to cabinet installation.

Do not remove hinge covers until product is ready to be installed.

Failure to follow these instructions can result in crush, cut, or pinch injuries.

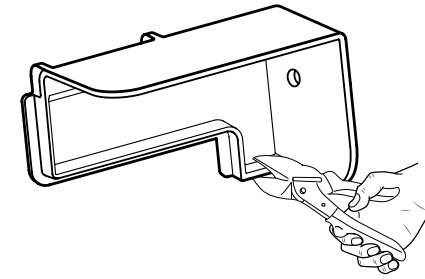
- Remove the screws attaching top and bottom hinge covers using a 3/16" hex driver.



A. Hinge cover

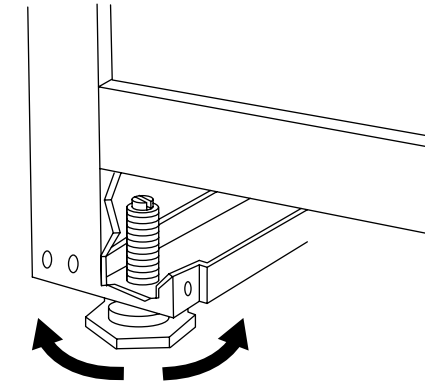
- Using pliers, remove the hinge covers from the top and bottom hinges.

NOTE: Save the hinge covers for future use. Reinstall the hinge covers if product is removed from cabinet installation.



- For custom panel installation, install the door panel according to the instructions in the "Custom Wood Panel" section.

- Use ice maker leveling legs to align ice maker door to the adjacent cabinet opening.



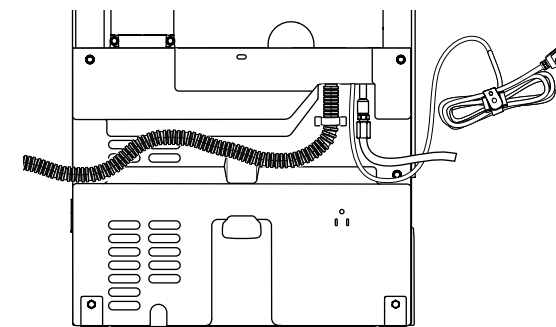
⚠ WARNING

Excessive Weight Hazard

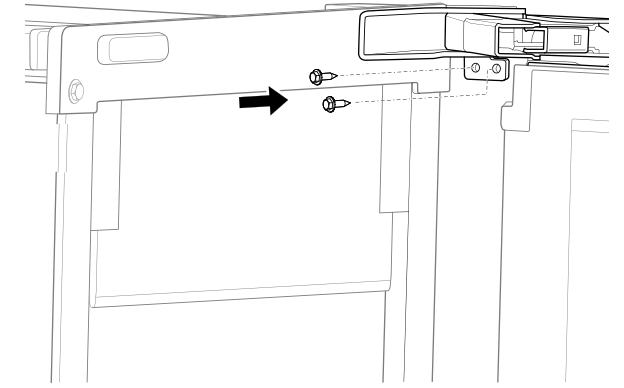
Use two or more people to move and install ice maker. Failure to do so can result in back or other injury.

- Slide ice maker into the cabinet while managing the utility connection positions behind the ice maker. Be sure to cover the floor with cardboard or hardboard to avoid damaging it.

IMPORTANT: For the custom panel model flush install, the ice maker utility connections must be routed out through the slot in the ice maker rear panel. Any time ice maker is removed for service, do the same process when placing the unit back in the cabinets.

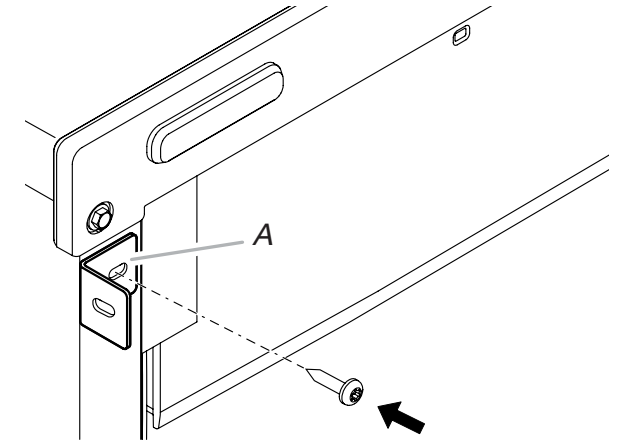


- Be sure that the ice maker is at desired depth. Secure the top and bottom hinges to the side of the cabinet using wood screws.



- Attach the cabinet brackets (provided with ice maker) to the holes in the front of ice maker as shown in the illustration. Attach the cabinet brackets to the side of the cabinet with wood screws.

NOTE: For the custom wood panel installation, continue installation at step 7 of "Custom wood panel installation."



A. Cabinet bracket

Custom Wood Panel

Custom Panel Dimensions

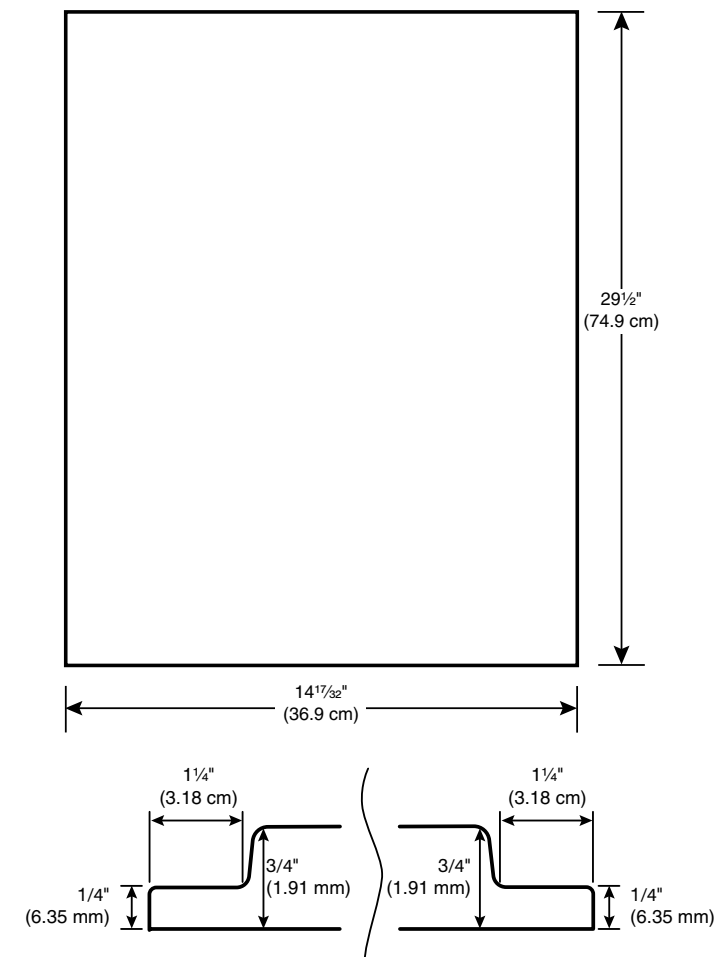
If you plan to install a custom overlay panel, you will need to make the panel yourself or consult qualified cabinetmaker or carpenter

IMPORTANT:

- The thickness of overlay panel must be 3/4" (1.91 cm).
- Overlay panel must not weigh more than 8lbs (3.62 kg).
- Overlay panels weighing more than recommended may cause damage to your ice maker.
- Match wood grain direction with that of adjacent cabinets.
- Sand panel edges to provide a smooth finish.
- Use moisture sealer on both sides and all edges of the panel to avoid damage from outside.

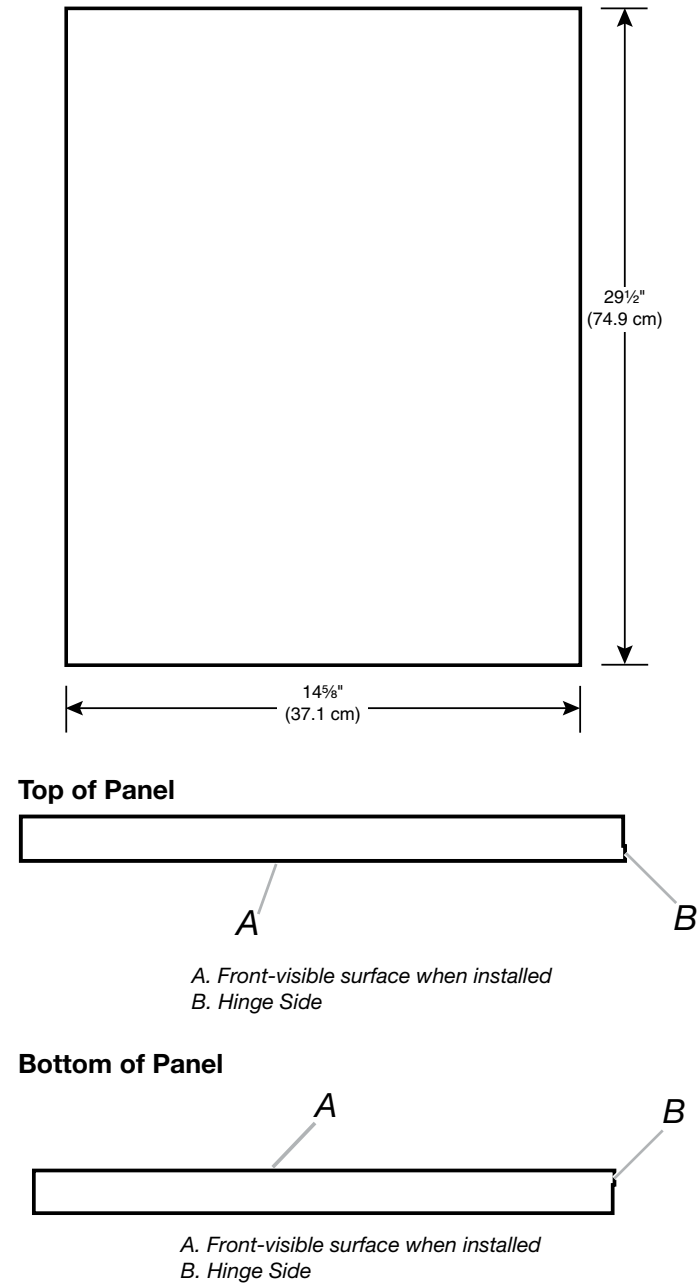
Option 1 - Without Hinge-Side Spacer

To allow proper clearance for the door, prepare the custom overlay panel using the dimension shown.



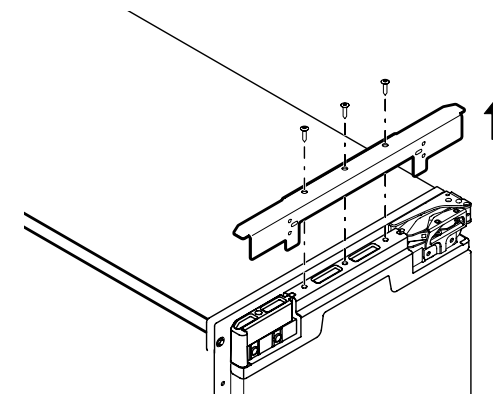
Option 2 - With Hinge-Side Spacer

To achieve a flush installation with adjacent cabinets, prepare the custom overlay panel using the dimensions shown.

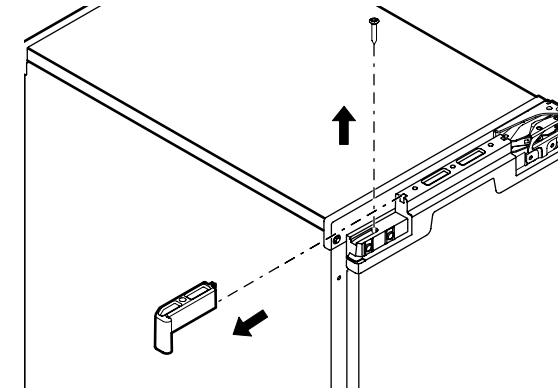


Custom Panel Installation

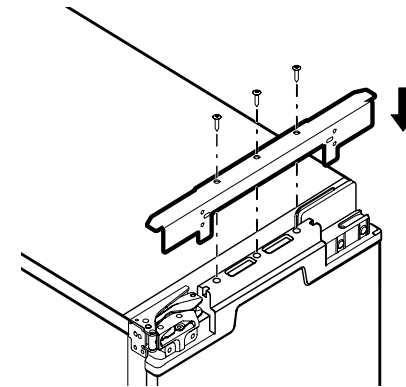
1. Remove screws and the top metal bracket using the Phillips screwdriver. Remove and place them aside. Skip this step and go to the step 4 if the door reversal has been completed.



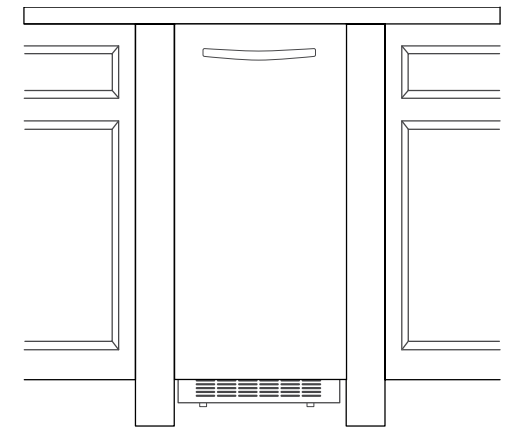
2. Remove the top and bottom end caps using the Phillips screwdriver and place them aside.



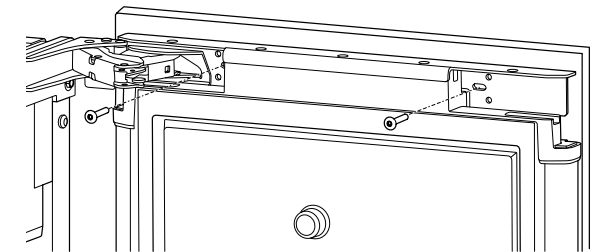
3. Reinstall top metal bracket using screws removed in the step 1.



4. Lightly press the custom panel onto the door using double sided adhesive tape. Adjust height of the panel to align with the adjacent cabinetry. Press the panel firmly against door.

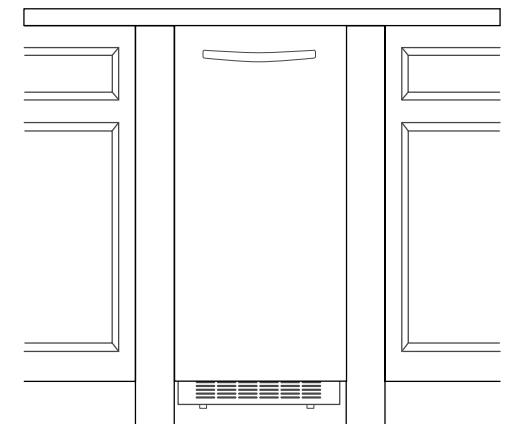


5. From inside the door, install the wood screws through the slotted holes in the metal brackets. Continue to "Leveling and Securing" section at step 5.

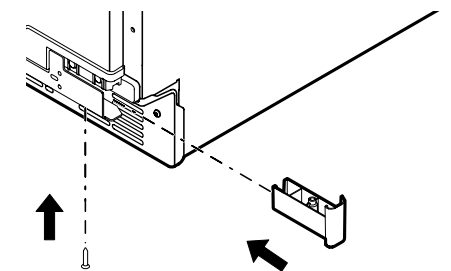


6. Adjust the panel side to side to achieve a desired gap on both sides. Install the remaining screws through the door bracket into the panel.

NOTE: Be sure that the panel is aligned with adjacent cabinet before installing the remaining screws to secure the door panel.



7. Replace the top and bottom end caps into the door. Fix the bottom end cap using screw through the bottom metal bracket hole.



Connecting the Drain

After ensuring that the drain system is adequate, follow these steps to properly place the ice maker:

⚠ WARNING

Excessive Weight Hazard

Use two or more people to move and install ice maker.
Failure to do so can result in back or other injury.

- Style 1**—For a gravity drain system, be sure that the ice maker drain tube is positioned over the PVC drain reducer. See the “Gravity Drain System” section.

Style 2—For a drain pump system, connect the drain pump outlet hose to the drain. Refer the “Drain Supply Requirements” section.

NOTE: Do not connect outlet end of drain tube to a closed pipe system to avoid drain water from backing up into the ice maker.

⚠ WARNING



Electrical Shock Hazard

Plug into a grounded 3 prong outlet.

Do not remove ground prong.

Do not use an adapter.

Do not use an extension cord.

Failure to follow these instructions can result in death, fire, or electrical shock.

- Plug in ice maker or reconnect power.
- Turn on ice maker. Wait for rinsing cycle, approximately 5 minutes, to be sure the ice maker is operating properly.
- If it is required by your local sanitation code, seal the cabinet to the floor with an approved caulking compound after all water and electrical connections have been made.

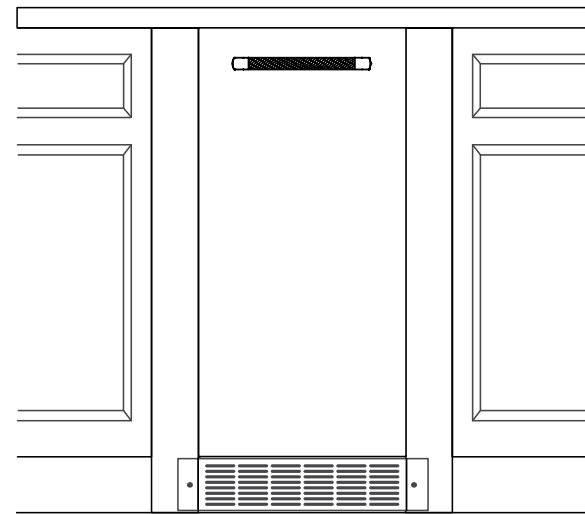
Auxiliary Grill Installation

The auxiliary grill is an optional part that can be used to align the toe grill with the rest of the cabinets (while not obstructing ventilation of the ice maker).

Tools required:

- Torx T20 screwdriver
- 1/8" straight drill bit and power drill

- First, complete all installation steps and install leveled ice maker into the cabinet. Ensure ice maker is flush with the adjacent cabinets.
- Unpack kit by removing outer cushion packaging and discard packaging material.
- Remove screws that are taped onto the inside of the auxiliary grill.
- Place grill onto cabinetry. Align part so that grating pattern on the auxiliary grill matches that of the toe grill on the ice maker.
- Center auxiliary grill on cut out for ice maker. Mark hole locations on each side of auxiliary grill on cabinet.



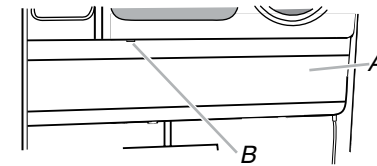
- Using power drill and a 1/8" drill bit, drill holes in cabinet. This is to fit screws of size 8-18 x 0.750.
- Using the Torx T20 screwdriver, screw auxiliary grill into cabinet.

NOTE: For future service of ice maker, auxiliary kit must be removed prior to the removal of the ice maker from the cabinets.

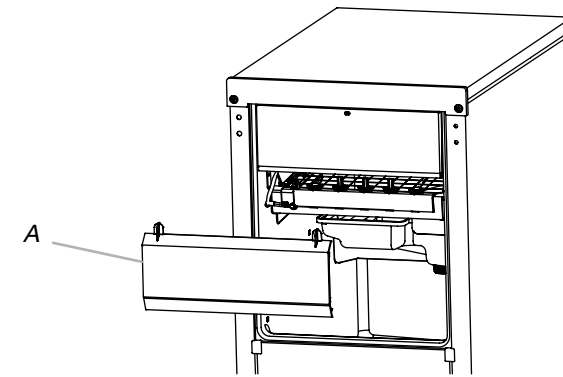
Deep Clean

Interior Components

- Unplug ice maker or disconnect power.
 - Open the storage bin door and remove any ice that is in the bin.
 - Remove the drain cap from the water pan and drain thoroughly. Replace the drain cap securely on the water pan. If the drain cap is loose, water will empty from the water pan, and you will have either thin ice or no ice.
 - Pull out on the bottom of the cutter grid cover until the snaps release to remove.
- NOTE:** On some models, remove the screw from the cutter grid cover.
- Unplug the wiring harness from the left side of the cutter grid.



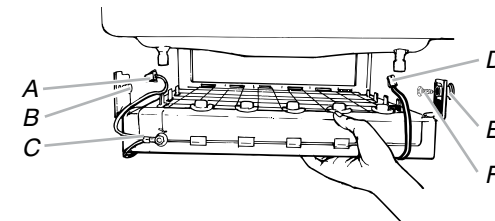
A. Cutter grid cover
B. Screw (on some models)



A. Cutter grid cover

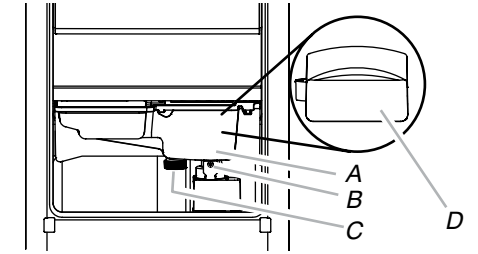
- Unplug the ice level sensor from the right side of the cutter grid. Pull the ice level sensor down and forward away from the cutter grid.
- Remove the right-hand and left-hand screws. Lift the cutter grid up and out.

NOTE: Make sure the plastic spacer from the right-hand side of the cutter grid bracket stays with the cutter grid.



A. Cutter grid harness
B. Screw
C. Cutter grid
D. Ice level sensor harness
E. Plastic spacer
F. Screw

- Remove the mounting screw that holds the water pan in place. Pull out on the front of the water pan.
- Disconnect the pump bracket from the water pan and unplug the water pan drain pump.



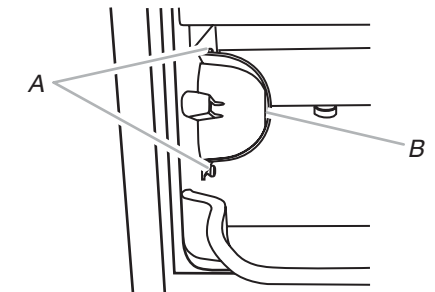
A. Water pan
B. Water pan screw
C. Drain cap
D. Drain pump cover

- Remove, clean and replace the ice scoop holder and ice scoop.

NOTE: On some models, the ice scoop holder is located in the upper left of the unit, and on other models, the ice scoop holder is located in the lower left of the unit.

On Some Models

- Remove the holder by removing the 2 screws.
- Wash the ice scoop holder and ice scoop along with the other interior components using the following instructions.
- Replace the ice scoop holder by replacing the screws.



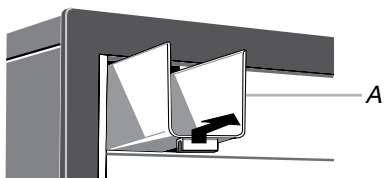
A. Screw
B. Ice scoop holder

On Some Models

- After removing the ice scoop, remove the holder by removing the 2 screws.

NOTE: On some models, remove the holder by lifting up on the ice scoop holder and then out.

- Wash the ice scoop holder along with the other interior components using the following instructions.
- Replace the ice scoop holder by replacing the screws or on some models, pushing in on the holder and then down.



A. Ice scoop holder

11. Wash the interior components (cutter grid, exterior of hoses, and water pan) and the storage bin, door gasket, ice scoop, and ice scoop holder with mild soap or detergent and warm water. Rinse in clean water. Then clean the same parts with a solution of 1 tbs (15 mL) of household bleach in 1 gal. (3.8 L) warm water. Rinse again thoroughly in clean water.

NOTE: Do not remove hoses. Do not wash plastic parts in dishwasher. They cannot withstand temperatures above 145°F (63°C).

12. To replace the water pan, set the water pan inside the ice bin. Hook up the water pan pump. Snap the pump bracket back onto the water pan and place back into position. Secure the water pan by replacing the mounting screw.

13. Check the following:

- Drain cap from the water pan is securely in place. If the drain cap is loose, water will empty from the water pan, and you will have either thin ice or no ice.
- Hose from water pan is inserted into storage bin drain opening.

14. Slide the cutter grid back into place and secure it by replacing the right-hand screw and plastic spacer. Then tighten the left-hand screw. Reconnect the cutter grid harness and the ice level sensor harness.

15. Replace the cutter grid cover.

NOTE: On some models, replace the cutter grid cover using the screw removed earlier.

16. Gently wipe the control panel with a soft, clean dishcloth using warm water and a mild liquid dish detergent.
17. Plug in ice maker or reconnect power.
18. After cleaning, make sure that all controls are set properly and that no control indicators are flashing.

Quick Clean

You will need to use one 16-ounce (473 mL) bottle of approved ice maker cleaner. We recommend using the *affresh® Ice Machine Cleaner part number 4396808.

SÉCURITÉ DE LA MACHINE À GLAÇONS

Votre sécurité et celle des autres est très importante.

Nous donnons de nombreux messages de sécurité importants dans ce manuel et sur votre appareil ménager. Assurez-vous de toujours lire tous les messages de sécurité et de vous y conformer.



Voici le symbole d'alerte de sécurité.

Ce symbole d'alerte de sécurité vous signale les dangers potentiels de décès et de blessures graves à vous et à d'autres.

Tous les messages de sécurité suivront le symbole d'alerte de sécurité et le mot "DANGER" ou "AVERTISSEMENT". Ces mots signifient :

⚠ DANGER

Risque possible de décès ou de blessure grave si vous ne suivez pas immédiatement les instructions.

⚠ AVERTISSEMENT

Risque possible de décès ou de blessure grave si vous ne suivez pas les instructions.

Tous les messages de sécurité vous diront quel est le danger potentiel et vous disent comment réduire le risque de blessure et ce qui peut se produire en cas de non-respect des instructions.

IMPORTANTES INSTRUCTIONS DE SÉCURITÉ

AVERTISSEMENT : Afin de réduire le risque d'incendie, de décharge électrique ou de blessures lors de l'utilisation de l'appareil, il convient d'observer certaines précautions fondamentales, notamment :

- Les enfants doivent être placés sous surveillance afin de s'assurer qu'ils ne jouent pas avec l'appareil.
- Cet appareil ne convient pas à une utilisation par des personnes (y compris des enfants) à capacités physiques, sensorielles ou mentales réduites, ou possédant un manque d'expérience et de connaissances, à moins qu'elles ne soient placées sous supervision ou qu'elles aient reçu des instructions concernant l'utilisation de l'appareil par une personne responsable de leur sécurité.
- Ne pas utiliser un câble de rallonge.
- Si le cordon d'alimentation est endommagé, il doit être remplacé par le fabricant, son agent de réparation ou toute autre personne qualifiée afin d'éviter tout danger.
- Brancher sur une arrivée d'eau potable uniquement.
- Cet appareil est destiné à un usage domestique et à d'autres usages similaires comme : coins cuisine réservés au personnel des boutiques, des bureaux et d'autres environnements professionnels; maisons d'hôtes, ainsi que par les clients d'hôtel, de motels et d'autres installations d'hébergement; gîtes touristiques; et banquets et autres utilisations non commerciales semblables.
- Ne pas entreposer de substances explosives comme des aérosols avec agent propulseur inflammable dans cet appareil.
- Ne pas utiliser de pièces de remplacement qui n'ont pas été recommandées par le fabricant (c.-à-d., des pièces fabriquées à la maison à l'aide d'une imprimante 3D).

CONSERVEZ CES INSTRUCTIONS

INSTRUCTIONS D'INSTALLATION

Déballage de la machine à glaçons

⚠ AVERTISSEMENT

Risque du poids excessif

Utiliser deux ou plus de personnes pour déplacer et installer la machine à glaçons.

Le non-respect de cette instruction peut causer une blessure au dos ou d'autre blessure.

Enlèvement des matériaux d'emballage

Enlever le ruban adhésif et la colle de la machine à glaçons avant de l'utiliser.

- Pour enlever tout résidu de ruban adhésif ou de colle de la surface extérieure de la machine à glaçons, frotter vivement la zone avec le pouce. Les résidus de ruban adhésif et de colle peuvent aussi facilement être enlevés en frottant à l'aide d'un doigt une petite quantité de savon liquide à vaisselle sur l'adhésif. Rincer à l'eau tiède et sécher.
- Ne pas utiliser d'instruments coupants, d'alcool à friction, de liquides inflammables ou de nettoyants abrasifs pour enlever le ruban adhésif ou la colle. Ne pas utiliser d'eau de Javel sur les surfaces en acier inoxydable de la machine à glaçons. Ces produits peuvent endommager la surface de votre machine à glaçons.

Nettoyage avant utilisation

Après avoir enlevé tous les matériaux d'emballage, nettoyer l'intérieur de la machine à glaçons avant de l'utiliser. Voir les instructions de nettoyage à la section "Entretien de la machine à glaçons" du Guide d'utilisation et d'entretien.

Vacances ou longue période d'inutilisation

- Lorsque la machine à glaçons n'est pas utilisée pendant une longue période de temps, fermer l'alimentation en eau et en électricité de la machine.
- S'assurer que les tuyaux d'alimentation en eau sont isolés contre le gel. La formation de glace dans les canalisations d'arrivée d'eau peut entraîner une élévation de la pression en eau et endommager la machine à glaçons ou le domicile. La garantie de l'appareil ne couvre pas les dommages imputables au gel.

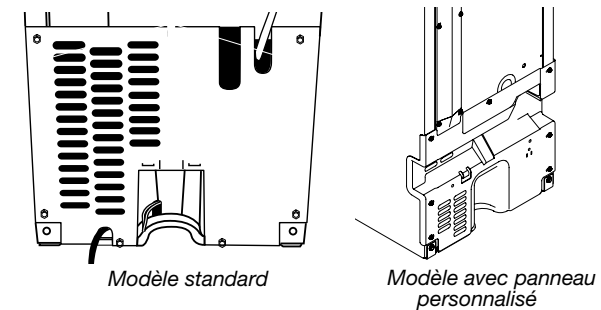
Exigences d'emplacement

- L'installation doit respecter les dispositions de tous les codes et règlements en vigueur.
- Pour assurer une bonne ventilation de votre machine à glaçons, l'avant doit être entièrement dégagé. Les autres côtés et le dessus de l'appareil peuvent être dissimulés, mais l'installation doit permettre de tirer la machine à glaçons vers l'avant pour y faire l'entretien requis.
- L'ensemble de grilles auxiliaires inclus (seulement sur les modèles avec panneau personnalisé) peut être utilisé pour aligner la grille inférieure avec le reste des armoires sans bloquer la ventilation de la machine à glaçons.
- L'installation de la machine à glaçons requiert un tuyau d'alimentation en eau en cuivre de 1/4 po (6,35 mm) de diamètre extérieur avec robinet d'arrêt ou la canalisation d'alimentation de Whirlpool (numéro de pièce : 8212547RB) et une pompe de vidange approuvée par Whirlpool (numéro de pièce : 1901A) pour diriger l'eau vers un drain existant.
- Choisir un endroit bien aéré où la température est supérieure à 13 °C (55 °F) et inférieure à 43 °C (110 °F). Les meilleurs résultats sont obtenus lorsque la température est comprise entre 70 °F et 90 °F (21 °C et 32 °C).
- La machine à glaçons doit être installée dans un endroit protégé des éléments comme le vent, la pluie, les jets d'eau ou les renversements.
- Lorsque l'appareil est installé sous un comptoir, observer les dimensions d'ouverture recommandées. Positionner les entrées électrique et d'eau aux emplacements recommandés.

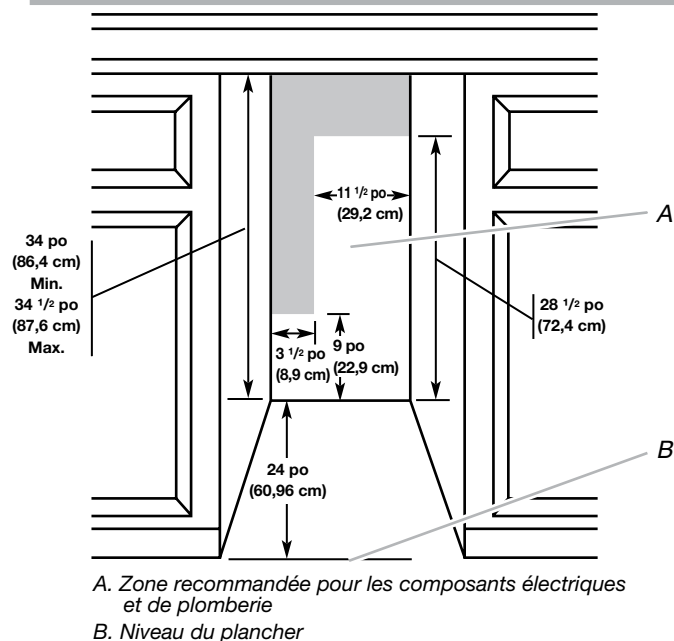
REMARQUES :

- Vérifier que le cordon d'alimentation n'est pas endommagé, déformé ou coincé entre la machine à glaçons et la caisse de l'appareil.
- Vérifier que le tuyau d'entrée d'eau n'est pas endommagé, déformé ou pincé entre la machine à glaçons et l'armoire.
- Vérifier que la canalisation d'évacuation (sur certains modèles) n'est pas endommagée, déformée ou coincée entre la machine à glaçons et la caisse de l'appareil.
- Choisir un emplacement où le plancher est de niveau. La machine à glaçon doit être de niveau pour fonctionner correctement. Au besoin, il est possible de régler la hauteur de la machine à glaçons en changeant la hauteur des pattes de nivellement. Consulter la section "Mettre de niveau et sécuriser".

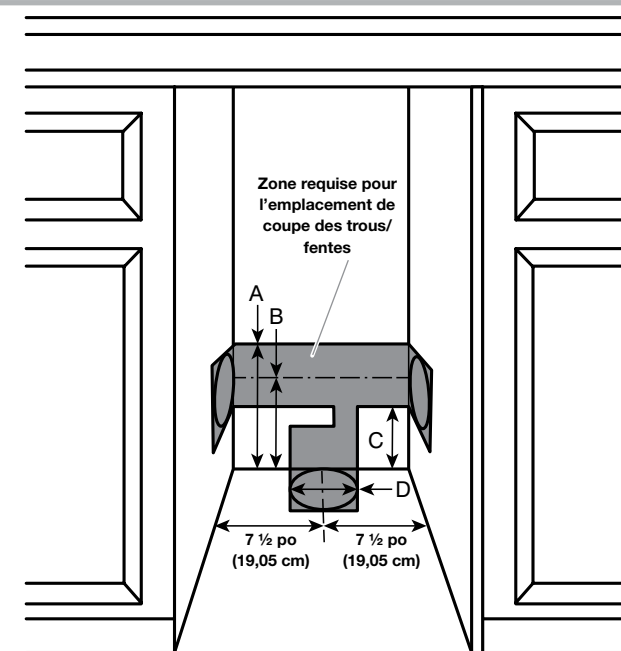
Identifiant du modèle :



Modèles standard



Modèles à panneau personnalisé



Zone d'emplacement des fentes/découpes des alimentations et du tuyau de vidange		
Dimension	A	9 po (22,9 cm)
	B	8 po (20,3 cm)
	C	7 po (17,8 cm)
Diamètre du trou	D	2 po (5 cm)

- Les modèles de machine à glaçon avec panneau personnalisé ont été conçus pour une installation en affleurement dans une zone où l'alimentation en électricité, l'alimentation en eau et le tuyau de vidange sont situés dans l'armoire adjacente.
- Pour une installation du produit dont les alimentations et le tuyau de vidange sont situés derrière la machine à glaçons, une installation en affleurement peut ne pas être possible.
- Consulter l'illustration et le tableau "Modèles à panneau personnalisé" suivant pour connaître les emplacements de découpe des entrées d'alimentation et du tuyau de vidange.

Spécifications électriques

⚠ AVERTISSEMENT



Risque de choc électrique

Brancher sur une prise à 3 alvéoles reliée à la terre.

Ne pas enlever la broche de liaison à la terre.

Ne pas utiliser un adaptateur.

Ne pas utiliser un câble de rallonge.

Le non-respect de ces instructions peut causer un décès, un incendie ou un choc électrique.

Avant de placer la machine à glaçons à son emplacement final, il est important de s'assurer d'avoir le raccordement électrique approprié :

Une alimentation de 115 V CA à 60 Hz reliée à la terre et protégée par un fusible de 15 A ou 20 A qui respecte le National Electrical Code, ainsi que les réglementations et codes locaux est requise.

Il est recommandé de réserver un circuit spécial pour la machine à glaçons. Utiliser une prise où l'alimentation ne peut pas être coupée à l'aide d'un interrupteur ou d'une chaînette.

IMPORTANT : Si ce produit est connecté à une prise munie d'un disjoncteur de fuite à la terre, un déclenchement intempestif peut se produire et causer une perte de refroidissement. La qualité des glaçons pourrait en être affectée. Si un déclenchement intempestif se produit et si les glaçons semblent de piètre qualité, jeter le tout.

Méthode recommandée de liaison à la terre

La machine à glaçons doit être reliée à la terre. Cette machine à glaçons est équipée d'un cordon d'alimentation électrique avec fiche à trois broches (liaison à la terre). Pour réduire les risques de décharge électrique, le cordon d'alimentation électrique doit être branché à une prise électrique à trois alvéoles avec mise à la terre respectant le National Electrical Code, ainsi que les réglementations et codes locaux. Si une telle prise n'est pas accessible, le client a la responsabilité de faire installer par un électricien qualifié une prise de courant correctement reliée à la terre.

Spécifications de l'alimentation en eau

S'assurer que les tuyaux d'alimentation en eau sont isolés contre le gel. La formation de glace dans les canalisations d'arrivée d'eau peut entraîner une élévation de la pression en eau et endommager la machine à glaçons ou le domicile. La garantie de l'appareil ne couvre pas les dommages imputables au gel de la canalisation d'arrivée d'eau.

Une alimentation en eau froide avec une pression entre 30 et 120 lb/po² (207 à 827 kPa) est nécessaire pour faire fonctionner la machine à glaçons. Pour toute question au sujet de la pression de l'eau, faire appel à un plombier qualifié agréé.

Alimentation en eau par osmose inverse

IMPORTANT :

- Brancher à une alimentation en eau potable uniquement.

Ne pas utiliser pour le filtrage d'une eau microbiologiquement polluée ou de qualité inconnue en l'absence d'un dispositif de désinfection adéquat avant ou après le système. Les systèmes certifiés pour la réduction de kyste peuvent être utilisés pour l'eau désinfectée qui peut contenir des kystes filtrables.

- La pression de l'alimentation en eau entre le système d'osmose inverse et le robinet d'arrivée d'eau de la machine à glaçons doit se situer entre 30 lb/po² et 120 lb/po² (207 kPa à 827 kPa).

Si un système de filtration de l'eau par osmose inverse est raccordé à l'alimentation en eau froide, la pression de l'eau au système doit être d'un minimum de 40 lb/po² à 60 lb/po² (276 kPa à 414 kPa).

REMARQUE : Le système par osmose inverse doit fournir 3,8 L (1 gal) d'eau à l'heure à la machine à glaçons pour lui permettre de fonctionner correctement. Si le système par osmose inverse est nécessaire, seul un système capable de fournir toute la maison et d'alimenter de façon constante en eau la machine à glaçons est recommandé. Les systèmes par osmose inverse sur robinet ne sont pas capables de fournir l'alimentation constante en eau requise par la machine à glaçons.

Si la pression d'eau au système de filtration par osmose inverse est inférieure à 40 lb/po² - 60 lb/po² (276 kPa - 414 kPa) :

- Vérifier que le filtre à sédiment dans le système à osmose inverse n'est pas obstrué. Remplacer le filtre si nécessaire.
- Laisser le réservoir du système d'osmose inverse se remplir après une utilisation intense.

Pour toute question au sujet de la pression de l'eau, faire appel à un plombier qualifié agréé.

Exigences concernant le raccordement au drain

Système de vidange par gravité

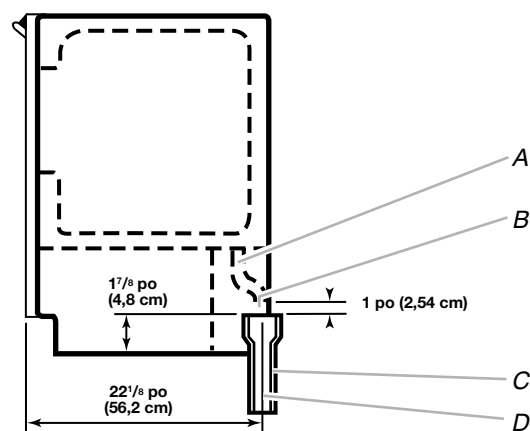
Brancher le drain de la machine à glaçons au drain en respectant les réglementations et codes locaux et provinciaux. Si la machine à glaçons est munie d'un système de vidange par gravité, suivre ces instructions pour installer le tuyau de vidange. Ceci aidera à éviter que l'eau ne refoule dans le bac d'entreposage de la machine à glaçons et éventuellement sur le plancher et ne cause des dommages.

- Le tuyau de vidange doit avoir un diamètre intérieur minimum de 5/8 po (15,88 mm).
- Les tuyaux de vidange doivent avoir une pente de 1 po pour chaque 48 po (2,54 cm pour chaque 122 cm) de longueur ou une pente de 1/4 po pour chaque 12 po de longueur (6,35 mm pour chaque 30,48 cm) et ne comporter aucun point bas où l'eau pourrait stagner.

- Les drains de vidange de plancher doivent être suffisamment grands pour recevoir l'eau de vidange provenant de toutes sources.
- L'installation idéale comporte un tuyau de rejet à l'égout en PVC de 1 1/2 po (3,81 cm) à 2 po (5,08 cm) installé immédiatement sous la sortie du tube de vidange. Un écart antiretour de 1 po (2,54 cm) doit être maintenu entre le tuyau de la pompe de vidange et le tuyau de rejet à l'égout.
- Ne pas raccorder l'extrémité de sortie du tuyau de vidange à un système de canalisation fermé afin d'empêcher l'eau de vidange de refouler dans la machine à glaçons.

IMPORTANT : Une pompe de vidange est nécessaire lorsqu'on ne dispose pas de drain au plancher. Il est possible d'acheter la trousse de pompe de vidange (numéro de pièce 1901A).

Vue latérale



A. Tuyau de vidange

B. Espace de 1 po (2,54 cm)

C. Réducteur de vidange en PVC de 2 po à 1 1/2 po (5 cm à 3,8 cm)

D. Le centre du drain devrait se trouver à 22 1/8 po (56,2 cm) du devant de la porte (avec ou sans le panneau de 3/4 po [1,91 cm] sur la porte). Le drain doit aussi être centré de gauche à droite (7 5/16 [18,56 cm] de chaque côté de la machine à glaçons).

Système avec pompe de vidange (sur certains modèles)

IMPORTANT :

- Raccorder le tuyau de vidange de la machine à glaçons à votre drain de vidange conformément à l'International Plumbing Code et aux codes et règlements locaux.
- Le circuit de vidange doit se terminer dans un puisard ou un tuyau d'évacuation ouvert (pour impossibilité de reflux).
 - Dénivellation maximale de 10 pi (3,1 m)
 - Longueur maximale de 100 pi (30,5 m)

REMARQUES :

- Si le tuyau de vidange devient tordu et l'eau ne peut pas se vidanger, votre machine à glaçons ne fonctionnera pas.
- Il sera peut-être souhaitable d'isoler le tuyau de vidange complètement jusqu'à l'entrée du drain de vidange. Il est possible d'acheter la trousse de gaine isolante (numéro de pièce W10365792).
- Ne pas raccorder l'extrémité de sortie du tuyau de vidange à un système de canalisation fermé afin d'empêcher l'eau de vidange de refouler dans la machine à glaçons.
- Capacité maximale de la pompe de vidange : Pour chaque 1 pi (0,31 m) d'élévation, soustraire 10 pi (3,1 m) de longueur de fonctionnement maximal.

Inversion de la porte

⚠ AVERTISSEMENT



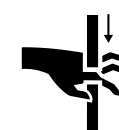
Risque de choc électrique

Déconnecter la source de courant électrique avant l'entretien.

Replacer pièces et panneaux avant de faire la remise en marche.

Le non-respect de ces instructions peut causer un décès ou un choc électrique.

⚠ AVERTISSEMENT



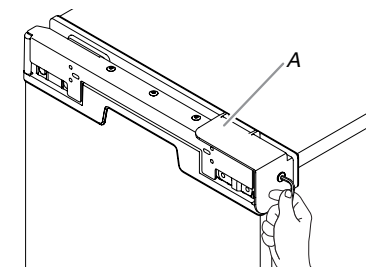
Risque d'écrasement

Les charnières articulées sont conçues pour se fermer toutes seules et plusieurs points de pincement existent avant l'installation dans l'armoire.

Ne pas retirer les couvre-charnières avant que le produit ne soit prêt à être installé.

Le non-respect de ces instructions peut causer une blessure par écrasement, coupure ou pincement.

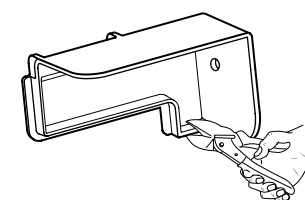
1. Débrancher la machine à glaçons ou couper l'alimentation.
2. Retirer les vis fixant le dessus et le dessous des couvre-charnières en utilisant un tourne-écrou de 3/16 po.



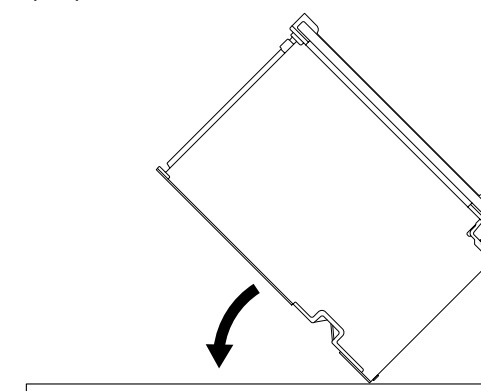
A. Couvre-charnière

3. À l'aide d'une pince, retirer les couvre-charnières des charnières inférieure et supérieure.

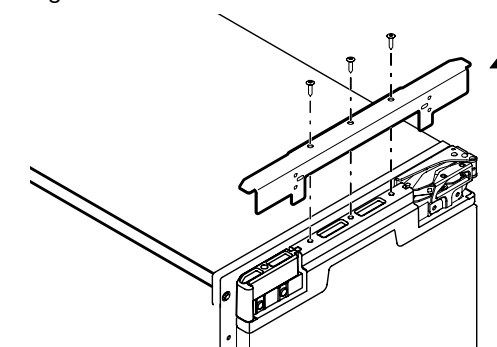
REMARQUE : Conserver les couvre-charnières pour une éventuelle réutilisation future. Réinstaller les couvre-charnières si le produit est retiré de l'installation dans l'armoire.



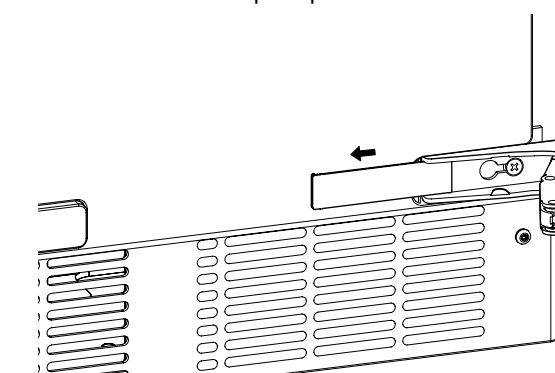
4. Déposer la machine à glaçons comme illustré. Pour éviter d'endommager le plancher, bien le recouvrir de carton ou de contreplaqué.



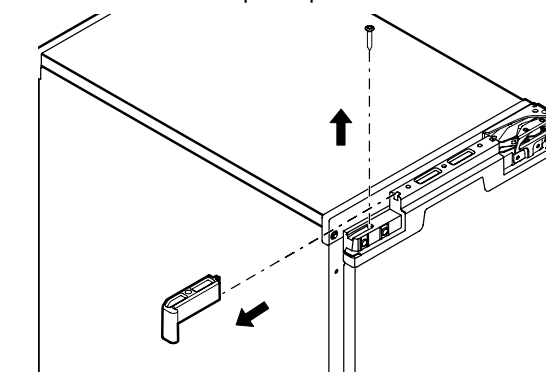
5. Retirer les vis qui maintiennent le panneau en acier inoxydable au bas de la porte. Mettre de côté le panneau en acier inoxydable et les vis. Pour les modèles avec panneau personnalisé, retirer les vis et la bride métallique du haut en utilisant un tournevis cruciforme. Les garder de côté.



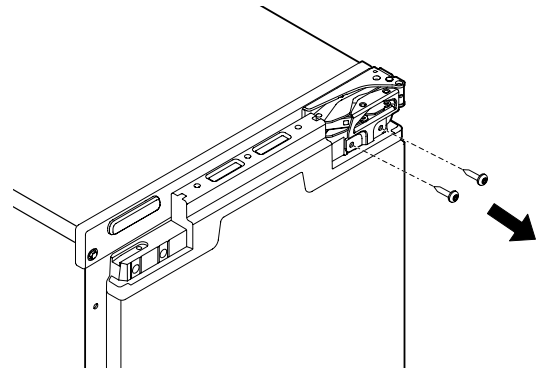
6. Retirer le couvercle en plastique de vis situé à l'intérieur des charnières et conserver pour plus tard.



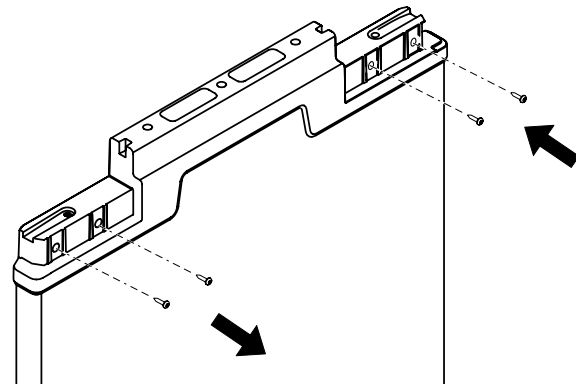
7. Retirer les embouts en plastique du haut et du bas de la porte.



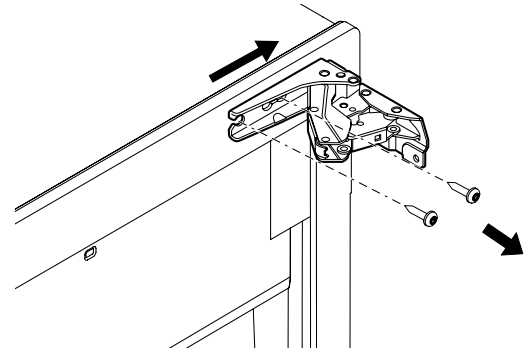
8. Dévisser complètement les vis des charnières de porte supérieure et inférieure et les conserver pour plus tard.



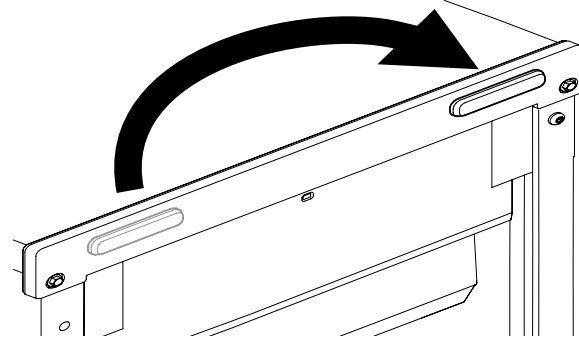
9. Retirer la porte et le conserver à part. Placer les vis de charnières sur le côté opposé.



10. Retirer les vis et charnières du cabinet en utilisant un tournevis Torx T25 et les mettre de côté pour plus tard.

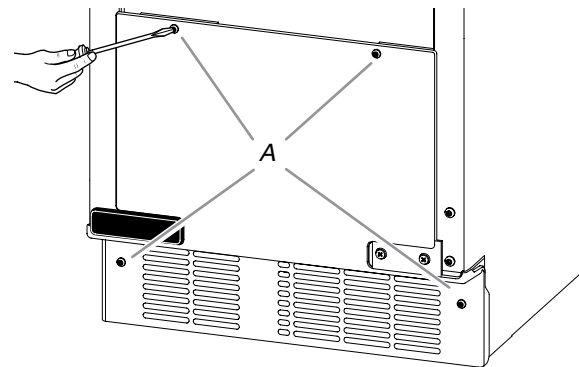


11. Retirer les capuchons de vis et les remettre de l'autre côté.



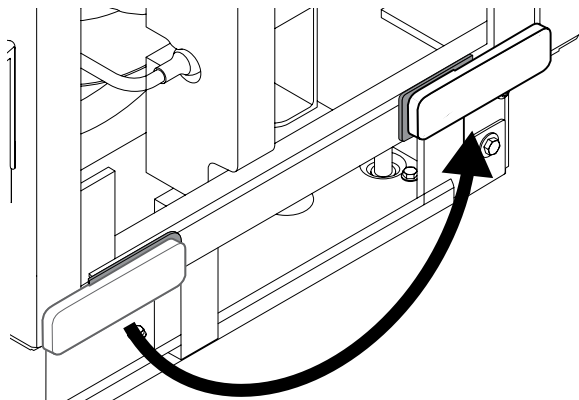
Préparer les charnières du bas

1. Dévisser et enlever le couvercle de grille en utilisant un tournevis Torx T20. Les garder de côté.

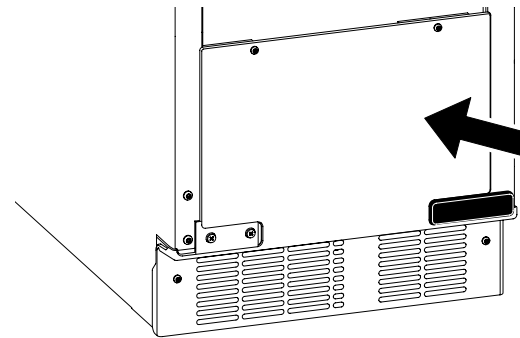


A. Vis du couvercle de grille

2. Retirer le capuchon de vis et le placer de l'autre côté comme indiqué dans l'illustration.

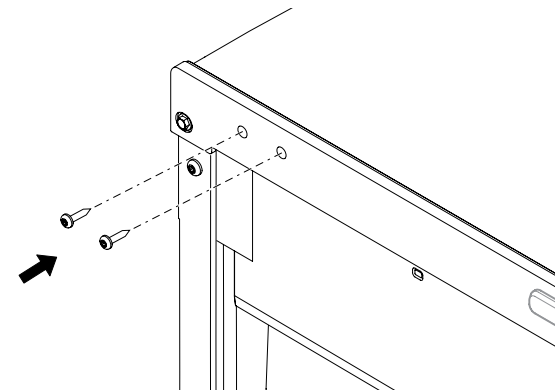


3. Réinstaller le couvercle de grille.

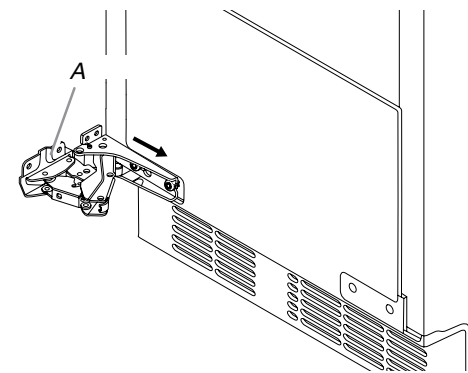


Inverser les charnières et les embouts

1. Visser à moitié les vis de charnières (mises de côté à l'étape 10 du point "Démontage du panneau de porte et des charnières") sur le côté désiré.

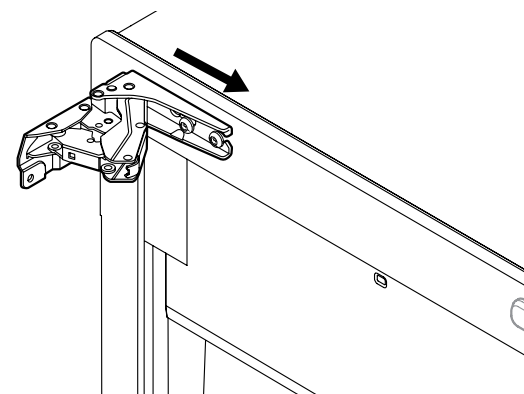


2. Prendre la charnière supérieure d'origine, la faire pivoter et la placer à la position de la charnière inférieure du côté opposé. La glisser sur les vis de charnière. Les onglets de la charnière devraient toujours faire face vers les uns vers les autres.



A. Onglet de charnière

3. Prendre la charnière inférieure d'origine, la faire pivoter et la placer à la position de la charnière supérieure du côté opposé. La glisser sur les vis de charnière.

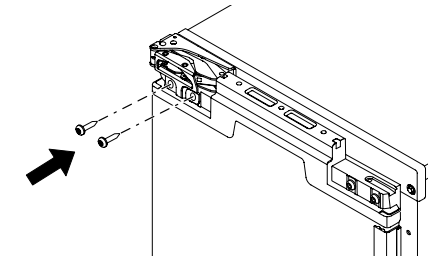


4. Serrer complètement les vis des charnières supérieure et inférieure.

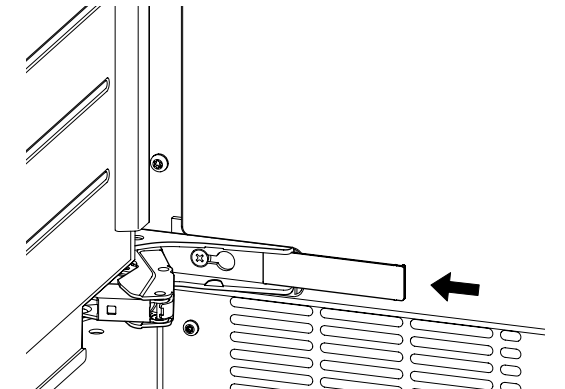
Positionnement final de la porte

REMARQUE : Avant de replacer la porte sur la machine à glaçons, vérifier que toutes les pièces sont bien installées pour s'assurer qu'aucune vis n'est exposée, que tous les capuchons de vis sont en place et que la porte fait face à la bonne direction, le côté en acier inoxydable faisant face vers l'extérieur.

1. Glisser la porte sur les charnières. À l'aide d'un tournevis Torx T25, placer les vis (retirées à l'étape 6 de la section "Retirer les charnières") sur la porte.

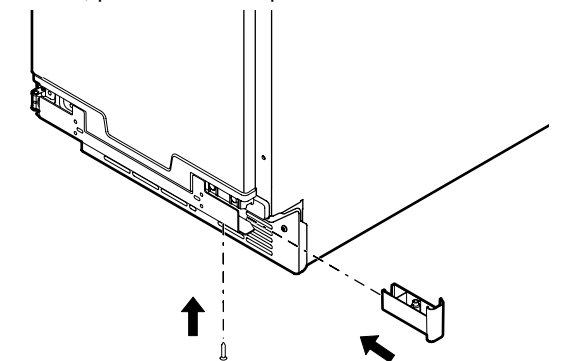


2. Replacer les capuchons de vis en plastique aux emplacements d'origine sur les charnières.

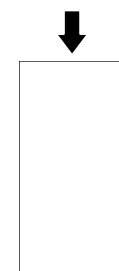


3. Réinstaller les embouts du haut et du bas sur la porte (le capuchon supérieur de droite est maintenant dans la position inférieure gauche et vice-versa).

REMARQUE : Pour l'installation d'un panneau de bois personnalisé, passer cette étape.



4. Placer le dos du panneau de porte en acier sur la porte une fois toutes les vis serrées. Pour l'installation d'un panneau de porte personnalisé, passer cette étape.



⚠️ AVERTISSEMENT



Risque d'écrasement

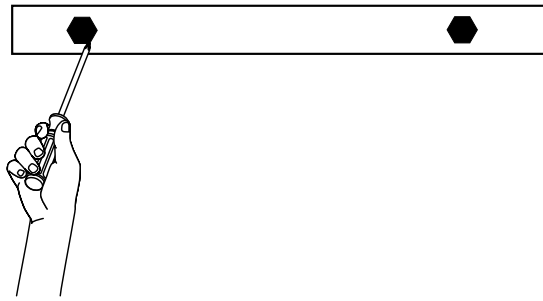
Les charnières articulées sont conçues pour se fermer toutes seules et plusieurs points de pincement existent avant l'installation dans l'armoire.

Ne pas ouvrir ou fermer les charnières lorsqu'elles sont enlevées de la machine à glaçons.

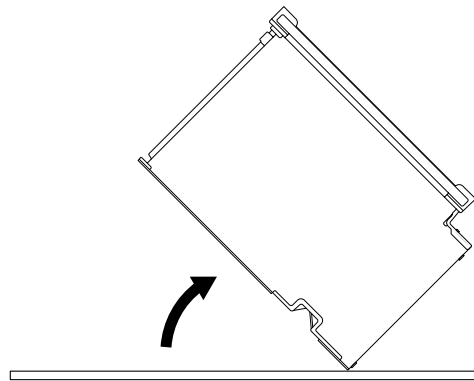
Le non-respect de ces instructions peut causer une blessure par écrasement, coupure ou pincement.

¹Torx, T20 et T25 sont des marques déposées de Acument Intellectual Properties, LLC.

- Serrer de nouveau les deux vis à tête hexagonale dans le bas de la porte. Pour l'installation d'un panneau de porte personnalisé, passer cette étape.

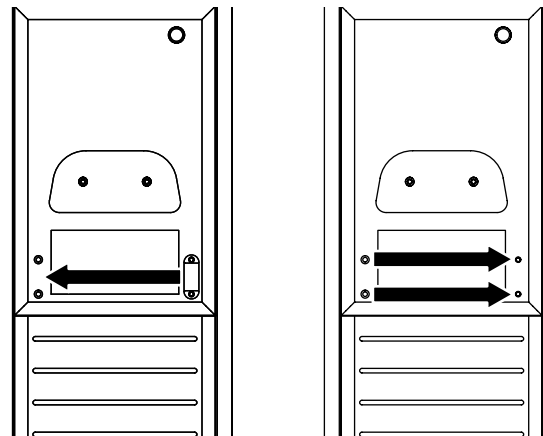


- Remettre la machine à glaçon debout.



Inversion du sens d'installation de la gâche de porte

- Ôter les vis blanches décoratives du côté opposé de la porte et les mettre de côté.
- Ôter les vis du loquet de porte magnétique et les installer du côté opposé de la porte.



- Installer les vis blanches décoratives sur le côté opposé de la porte.

⚠ AVERTISSEMENT



Risque de choc électrique

Brancher sur une prise à 3 alvéoles reliée à la terre.

Ne pas enlever la broche de liaison à la terre.

Ne pas utiliser un adaptateur.

Ne pas utiliser un câble de rallonge.

Le non-respect de ces instructions peut causer un décès, un incendie ou un choc électrique.

- Brancher sur une prise de courant à 3 alvéoles, reliée à la terre.

Installation de la pompe de vidange (sur certains modèles)

REMARQUES :

- Raccorder la pompe de vidange au drain en respectant les réglementations et codes locaux et provinciaux.
- L'isolation du tube de vidange jusqu'à la sortie de vidange pourrait être nécessaire pour réduire la condensation dans le tube de vidange. Il est possible d'acheter une trousse d'isolation de tube (numéro de pièce W10365792).
- La pompe de vidange est conçue pour pomper de l'eau jusqu'à une hauteur de 10 pi (3 m). N'utiliser que la trousse de pompe de vidange approuvée par Whirlpool (numéro de pièce 1901A).
- Ne pas raccorder l'extrémité de sortie du tuyau de vidange à un système de canalisation fermé afin d'empêcher l'eau de refouler dans la machine à glaçons.

Contenu de la trousse :


- Trousse de pompe de vidange (numéro de pièce 1901A)
- Tube de vidange de 5/8 po de diamètre intérieur x 5 1/8 po (du bac à glaçons vers l'entrée du réservoir de la pompe de vidange)
- Tube de vidange de 1/2 po de diamètre intérieur x 10 pi (3 m) (du tuyau d'évacuation de la pompe de vidange au drain de la maison)
- Tube de ventilation de 5/16 po de diamètre intérieur x 32 po (81 cm) (du tube de ventilation du réservoir de la pompe de vidange à l'arrière de la machine à glaçons)
- (1) serre-câbles (pour fixer le tube de ventilation au dos de la machine à glaçons)
- (5) vis de montage de la pompe no 8-32 x 3/8 po (pour fixer la pompe de vidange à la plaque de base et aux brides du dos de la machine à glaçons)
- Petite bride de tuyau réglable de 5/8 po (pour fixer le tuyau de ventilation à la pompe de vidange)
- (3) grande bride de tuyau réglable de 7/8 po (pour fixer le tuyau de vidange au bac de la machine à glaçons et au réservoir de la pompe de vidange)
- (2) panneau arrière
- Fiche d'instructions

Si la machine à glaçons est déjà installée

REMARQUE : Si la machine à glaçons n'est pas installée, passer à la section "Installation de la pompe de vidange".

- Placer le commutateur à la position d'arrêt.

⚠ AVERTISSEMENT



Risque de choc électrique

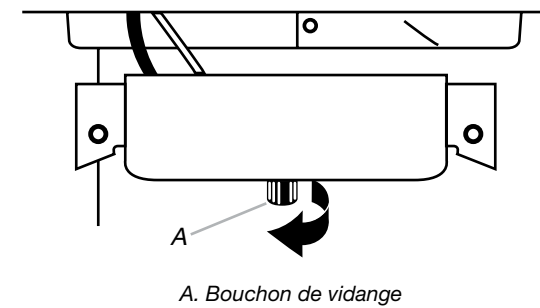
Déconnecter la source de courant électrique avant l'entretien.

Replacer pièces et panneaux avant de faire la remise en marche.

Le non-respect de ces instructions peut causer un décès ou un choc électrique.

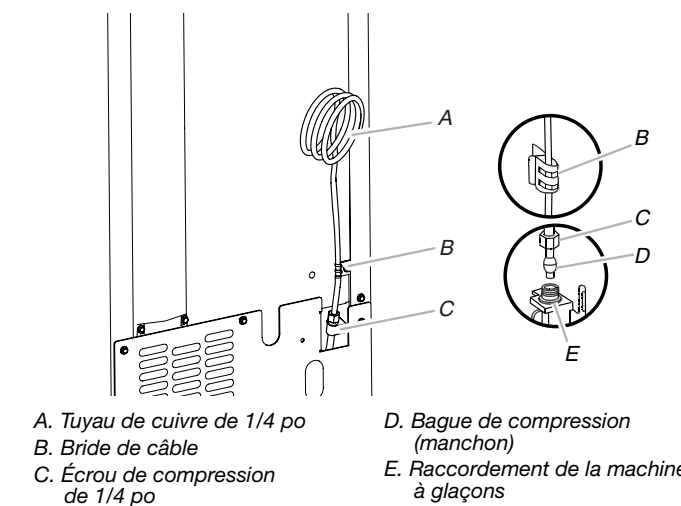
- Débrancher la machine à glaçons ou couper l'alimentation.
- Couper l'alimentation en eau. Attendre de 5 à 10 minutes que les glaçons tombent dans le bac d'entreposage. Enlever les glaçons du bac d'entreposage.
- Dévisser le bouchon de vidange du dessous du bac à eau situé à l'intérieur du bac d'entreposage. Laisser l'eau s'écouler entièrement. Replacer le bouchon de vidange. Voir l'illustration "Bouchon de vidange".

Bouchon de vidange



- Si la machine à glaçons est installée dans un placard, la retirer de l'ouverture.
- Déconnecter la canalisation d'alimentation en eau. Voir l'illustration "Canalisation d'alimentation en eau".

Canalisation d'alimentation en eau

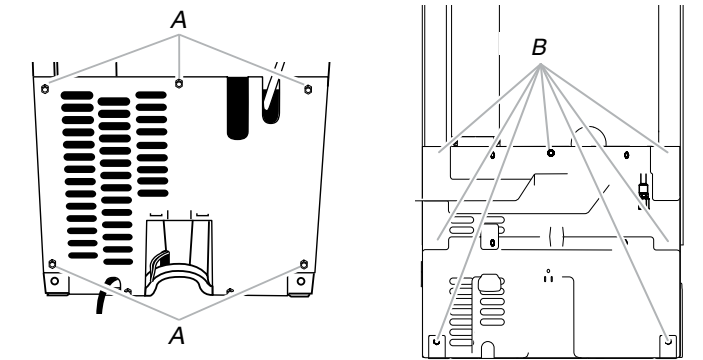


Installation de la pompe de vidange

REMARQUE : Ne pas plier, écraser ou endommager les tubes et câbles pendant l'installation.

- Débrancher la machine à glaçons ou couper l'alimentation.
- Retirer le panneau arrière. Voir l'illustration « Panneau arrière pour connaître l'emplacement de la vis. Retirer le panneau arrière du tube de vidange. Pour le modèle standard, mettre le panneau arrière aux rebus. Pour le modèle avec panneau personnalisé, mettre de côté le panneau arrière (il sera utilisé à l'étape 17).

Panneau arrière

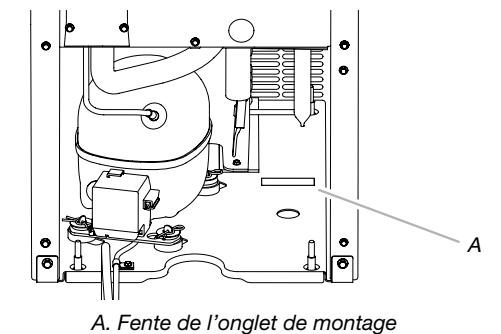


- Enlever le vieux tube de vidange et la bride fixée au bac de la machine à glaçons.

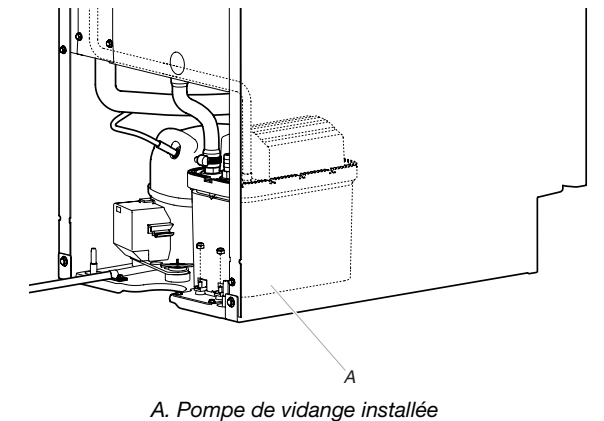
REMARQUE : Jeter le vieux tube de vidange et sa bride.

- Glisser la pompe de vidange dans la base de la machine à glaçons, sur le côté droit. L'onglet d'installation de la pompe devrait glisser dans la fente rectangulaire de la base de la machine à glaçons. La pompe devra être légèrement inclinée pour insérer l'onglet dans la fente. Voir l'illustration "Fente pour l'onglet d'installation de la pompe de vidange".

Fente pour l'onglet d'installation de la pompe de vidange



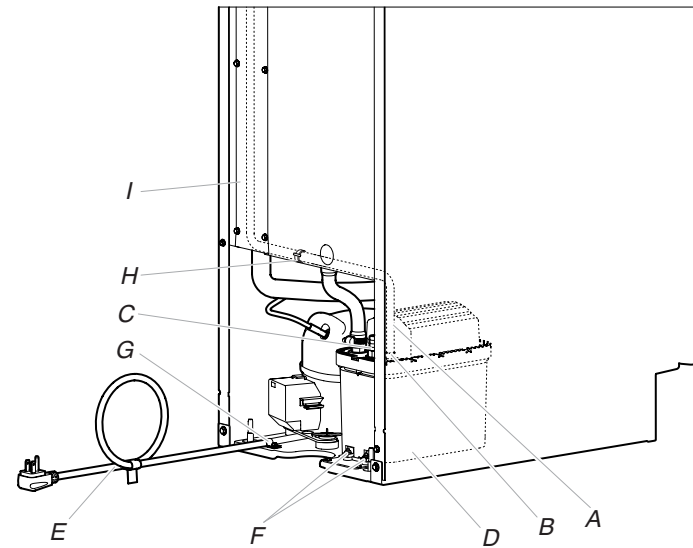
Pompe de vidange installée



- Aligner les 2 trous de vis situés à l'arrière de la pompe. Utiliser deux vis no 8-32 x 3/8 po (incluses). Voir l'illustration "Emplacements des pièces".
- Installer le tube de ventilation (5/16 po de diamètre intérieur x 32 po [81 cm]) à la ventilation du réservoir de la pompe de vidange, derrière le couvercle du boîtier de connexion. Utiliser les petites brides réglables incluses de 5/8 po. Voir l'illustration "Emplacements des pièces". Utiliser un dispositif de retenue en plastique pour fixer de façon sécuritaire le conduit flexible à l'intérieur de la tête supérieure.

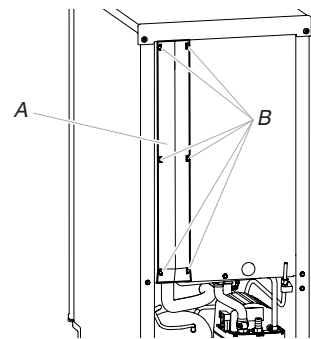
REMARQUE : Attendre avant d'installer le tube de vidange vers le drain de la maison.

Emplacements des pièces



- | | |
|--|---|
| A. Tube de ventilation | F. Vis de montage de la pompe no 8-32 x 3/8 po |
| B. Bride de tuyau de 5/8 po | G. Cordon d'alimentation de la pompe de vidange, bride et vis |
| C. Tuyau d'évacuation de la pompe de vidange | H. Dispositif de retenue en plastique |
| D. Pompe de vidange | I. Couvercle du boîtier de connexion |
| E. Cordon d'alimentation de la machine à glaçons | |

- Retirer le couvercle du boîtier de connexion. Consulter l'illustration suivante pour l'emplacement des vis.

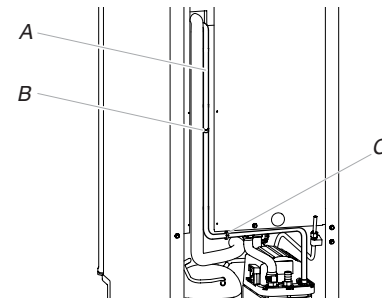


- A. Couvercle du boîtier de connexion
B. Vis

- Passer le tube de ventilation dans le dispositif de retenue en plastique situé sous la tête supérieure dans la zone ouverte de la pompe, comme illustré. À l'aide d'une attache mono-usage, fixer le tube de ventilation au dos du tube d'aération situé derrière le couvercle du boîtier de connexion. Consulter l'illustration "Tube de ventilation".

Tube de ventilation

REMARQUE : Ne pas pincer, plier ou endommager le tube de ventilation. Vérifier que le tube n'est pas endommagé, plié ou pincé entre l'armoire et la machine à glaçons.



- A. Tube de ventilation
B. Serre-câbles
C. Dispositif de retenue en plastique

- Fixer de nouveau le couvercle du boîtier de connexion à sa place.
- Enlever la bride du cordon d'alimentation et la vis de mise à la terre qui relie le cordon d'alimentation et la base de l'appareil. Voir l'illustration "Emplacements des pièces".

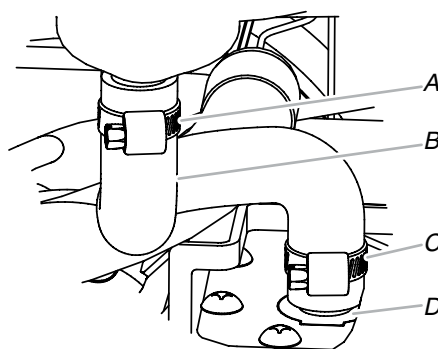
REMARQUE : La bride et la vis seront de nouveau utilisées.

- Enrouler le cordon d'alimentation de la machine à glaçons pour créer un rouleau de 10,2 cm (4 po). Utiliser du ruban électrique à plusieurs endroits pour maintenir le cordon en rouleau. Placer le rouleau de cordon d'alimentation entre la pompe de vidange et le côté, puis le brancher à la pompe de vidange. Voir l'illustration "Emplacements des pièces".
- Fixer le cordon d'alimentation de la pompe de vidange à la base de la machine à glaçons à l'aide de la bride et de la vis enlevées à l'étape 6 et qui servaient à fixer le cordon d'alimentation du cordon d'alimentation de la machine à glaçons. Voir l'illustration "Emplacements des pièces".
- Installer le nouveau tube de vidange (5/8 po de diamètre intérieur x 5 1/8 po) du bac de la machine à glaçons au réservoir de la pompe de vidange en utilisant les nouvelles brides réglables. Voir l'illustration "Tube de vidange".

REMARQUES :

- Ne pas plier le tube.
- Au besoin, couper à la bonne longueur.

Tube de vidange

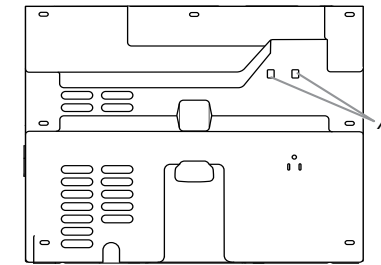


- A. Bride de tuyau réglable de 7/8 po
B. Tube de vidange (entre le bac à glaçons et la pompe de vidange)
C. Bride de tuyau réglable de 7/8 po
D. Entrée du réservoir de la pompe de vidange

- Fixer le tube de vidange de 1/2 po de diamètre intérieur x 10 pi (3 m) à la pompe de vidange. Voir l'illustration "Emplacements des pièces".

REMARQUE : Ne pas raccorder l'extrémité de sortie du tuyau de vidange à un système de canalisation fermé afin d'empêcher l'eau de vidange de refouler dans la machine à glaçons. Pour le modèle standard, passer à l'étape 17.

- Installer l'attache mono-usage sur le panneau arrière en la passant par les deux trous situés sur le panneau arrière.



A. Trous pour l'attache mono-usage

- À l'aide d'une attache mono-usage, fixer le tube de vidange au panneau arrière.
- Pour le modèle standard, placer le nouveau panneau arrière (le petit pour une machine à glaçons de 15 po, le grand pour une de 18 po) au dos de la machine à glaçons. Pour le modèle avec panneau personnalisé, utiliser le panneau arrière en plastique (enlevé à l'étape 2). Acheminer le tube de ventilation et le tuyau de vidange de la pompe à travers les ouvertures du panneau arrière.
- Fixer le panneau arrière à l'aide des vis d'origine. Voir l'illustration "Panneau arrière".
- Vérifier l'absence de fuites à tous les raccords.

Raccordement à la canalisation d'eau

Lire toutes les instructions avant de commencer.

IMPORTANT :

- Brancher à une alimentation en eau potable uniquement.

Ne pas utiliser pour le filtrage d'une eau microbiologiquement polluée ou de qualité inconnue en l'absence d'un dispositif de désinfection adéquat avant ou après le système. Les systèmes certifiés pour la réduction de kyste peuvent être utilisés pour l'eau désinfectée qui peut contenir des kystes filtrables.

- Réaliser l'installation de plomberie conformément aux prescriptions du International Plumbing Code et des normes et codes locaux en vigueur.
- Utiliser un tuyau en cuivre ou la canalisation d'alimentation de Whirlpool (numéro de pièce 8212547RP) et vérifier qu'il n'y a pas de fuites.
- Installer des tuyaux seulement là où les températures resteront au-dessus du point de congélation.

Outils requis :

Rassembler les outils et pièces nécessaires avant d'entreprendre l'installation :

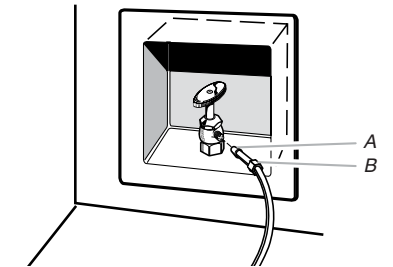
- Clés plates de 7/16 po et 1/2 po ou deux clés à molette

REMARQUE : Ne pas employer de robinet d'arrêt à étrier de 3/16 po (4,76 mm) ou de type à percer – ils réduisent le débit d'eau et s'obstruent plus facilement.

Raccordement à la canalisation d'eau

- Couper l'alimentation principale en eau. Ouvrir le robinet le plus proche assez longtemps pour vider l'eau du tuyau.
- À l'aide d'une canalisation d'entrée d'eau de 1/2 po et d'un robinet d'arrêt quart de tour ou équivalent, raccorder la machine à eau comme indiqué.

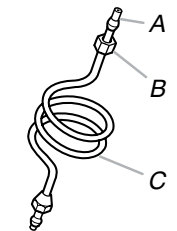
REMARQUE : Pour que la machine à glaçons reçoive un débit d'eau suffisant, on recommande l'emploi d'une canalisation d'alimentation domestique en cuivre d'un diamètre minimum de 1/2 po.



A. Renflement
B. Écrou

- On est maintenant prêt à connecter le tuyau en cuivre. Utiliser un tuyau en cuivre flexible d'un diamètre extérieur de 1/4 po (6,35 mm) pour l'alimentation en eau froide.

- S'assurer d'avoir la longueur nécessaire pour une installation correcte. Il faut s'assurer que les deux extrémités du tuyau en cuivre sont bien coupées à angle droit.
- Installer le manchon et l'écrou à compression sur le tuyau en cuivre (voir l'illustration). Insérer l'extrémité du tuyau aussi profondément que possible dans l'extrémité de sortie et à l'équerre. Visser l'écrou de compression sur l'extrémité de sortie du raccord à l'aide d'une clé à molette. Ne pas serrer excessivement.
- Pour l'installation du panneau personnalisé, s'assurer que le tuyau d'entrée d'eau dépasse de 30 po derrière les armoires pour permettre les entretiens futurs

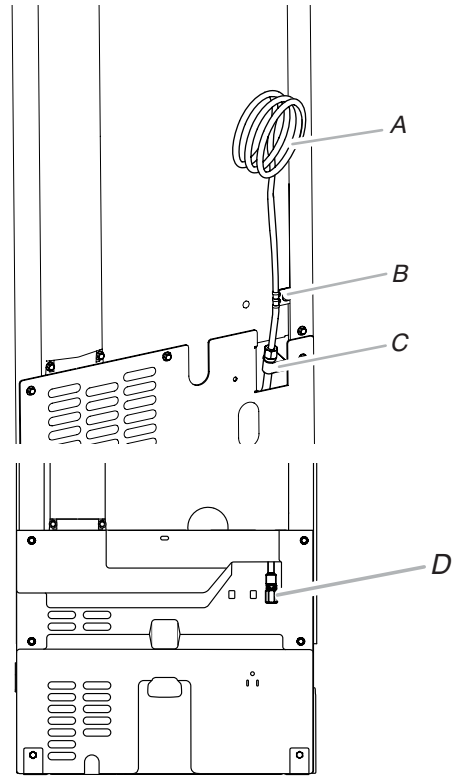


A. Bague de compression
B. Écrou de compression
C. Tube en cuivre

- Placer l'extrémité libre de la canalisation dans un contenant ou un évier et rétablir l'alimentation principale en eau pour nettoyer le tuyau jusqu'à ce que l'eau soit limpide. Fermer le robinet d'arrêt de la canalisation d'eau. **IMPORTANT :** Toujours vidanger le tuyau d'alimentation en eau avant de faire le raccordement final sur l'entrée du robinet pour éviter tout mauvais fonctionnement éventuel du robinet.

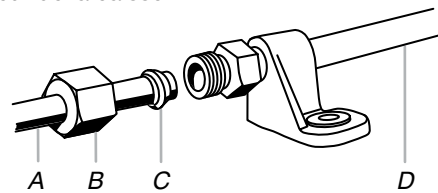
5. Le tuyau d'entrée d'eau est situé sur le côté arrière de la machine à glaçons comme dans l'illustration "Vue arrière". Plier le tuyau de cuivre pour l'aligner avec le tuyau d'entrée d'eau. Laisser le serpentin de tuyau en cuivre pour permettre de sortir la machine à glaçons de l'armoire ou du mur en cas d'entretien.

Vue arrière



- A. Tube en cuivre
 B. Bride du tuyau du robinet
 C. Bride de tuyau d'entrée d'eau et raccord de canalisation pour le modèle standard
 D. Tuyau d'entrée d'eau pour le modèle avec panneau personnalisé

6. Retirer et jeter le petit tube de plastique de l'extrémité du point d'entrée de la canalisation d'eau.
 7. Enfiler l'écrou sur l'extrémité du tuyau. Serrer l'écrou manuellement. Ensuite, serrer deux tours de plus avec une clé. Ne pas serrer excessivement.
REMARQUE : Pour éviter les vibrations, veiller à ce que les tuyaux en cuivre ne soient pas en contact avec les parois latérales de la machine à glaçons ou d'autres composants à l'intérieur de la caisse.



- A. Canalisation jusqu'à la machine à glaçons
 B. Écrou de compression
 C. Bague de compression
 D. Canalisation fournie provenant de la machine à glaçons

8. Installer la bride de la canalisation d'alimentation en eau bien autour de la canalisation pour réduire la pression sur le raccord. Pour les modèles avec panneau personnalisé, passer cette étape.
 9. OUVRIR le robinet d'arrêt.
 10. Vérifier qu'il n'y a pas de fuites. Serrer tous les raccords (y compris les raccords du robinet) ou les écrous qui présentent des fuites.

Mettre de niveau et sécuriser

La machine à glaçons doit être de niveau pour fonctionner correctement. Selon l'endroit où vous installez la machine à glaçons, vous devrez avoir à effectuer plusieurs ajustements pour la mettre d'aplomb. Vous pouvez également utiliser les pieds de nivellement pour baisser la hauteur de la machine à glaçons pour les installations sous comptoir.

Outils nécessaires

Rassembler les outils et pièces nécessaires avant d'entreprendre l'installation.

- Niveau
- Clé à molette

REMARQUE : Il est plus facile d'ajuster les pieds de nivellement si on se fait aider par une autre personne.

AVERTISSEMENT

Risque du poids excessif

Utiliser deux ou plus de personnes pour déplacer et installer la machine à glaçons.

Le non-respect de cette instruction peut causer une blessure au dos ou d'autre blessure.

1. Déplacer la machine à glaçons en face de son emplacement final. Pour éviter d'endommager le plancher, bien le recouvrir de carton ou de contreplaqué.

REMARQUE : S'il s'agit d'une installation intégrée, déplacer la machine à glaçons aussi près que possible de son emplacement final.

AVERTISSEMENT



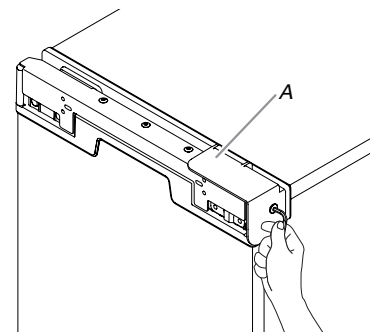
Risque d'écrasement

Les charnières articulées sont conçues pour se fermer toutes seules et plusieurs points de pincement existent avant l'installation dans l'armoire.

Ne pas retirer les couvre-charnières avant que le produit ne soit prêt à être installé.

Le non-respect de ces instructions peut causer une blessure par écrasement, coupure ou pincement.

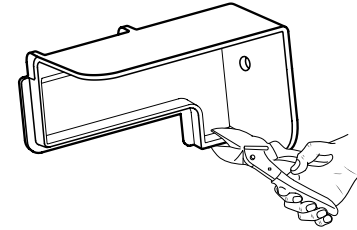
2. Retirer les vis fixant le dessus et le dessous des couvre-charnières en utilisant un tourne-écrou de 3/16 po.



A. Couvre-charnière

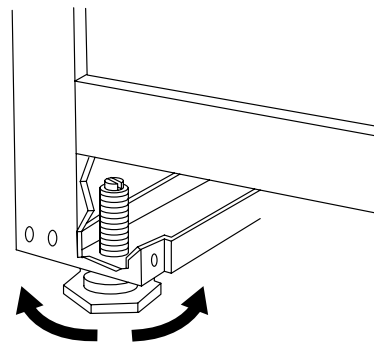
3. À l'aide d'une pince, retirer les couvre-charnières des charnières inférieure et supérieure.

REMARQUE : Conserver les couvre-charnières pour une éventuelle réutilisation future. Réinstaller les couvre-charnières si le produit est retiré de l'installation dans l'armoire.



4. Pour l'installation du panneau personnalisé, installer le panneau de porte en respectant les instructions de la section "Panneau personnalisé de bois".

5. Utiliser les pieds de nivellement pour aligner la porte de la machine à glaçons avec l'ouverture de l'armoire adjacente.



AVERTISSEMENT

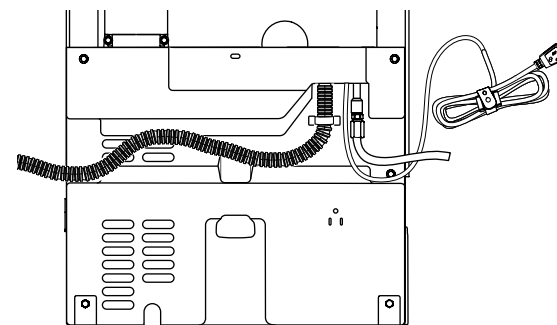
Risque du poids excessif

Utiliser deux ou plus de personnes pour déplacer et installer la machine à glaçons.

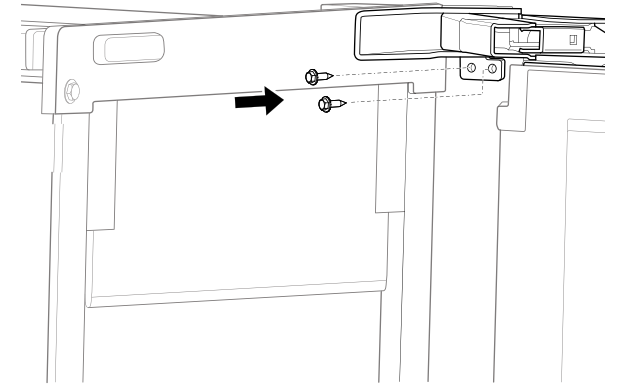
Le non-respect de cette instruction peut causer une blessure au dos ou d'autre blessure.

6. Glisser la machine à glaçons dans l'armoire tout en faisant attention aux positions des connexions à l'arrière de la machine à glaçons. Pour éviter d'endommager le plancher, bien le recouvrir de carton ou de contreplaqué.

IMPORTANT : Pour une installation en affleurement d'un modèle avec panneau personnalisé, les connexions à la machine à glaçons doivent passer par la fente du panneau arrière de la machine à glaçons. Toutes les fois où la machine à glaçons est retirée de l'armoire pour en effectuer l'entretien, effectuer la même procédure pour replacer l'appareil dans l'armoire.

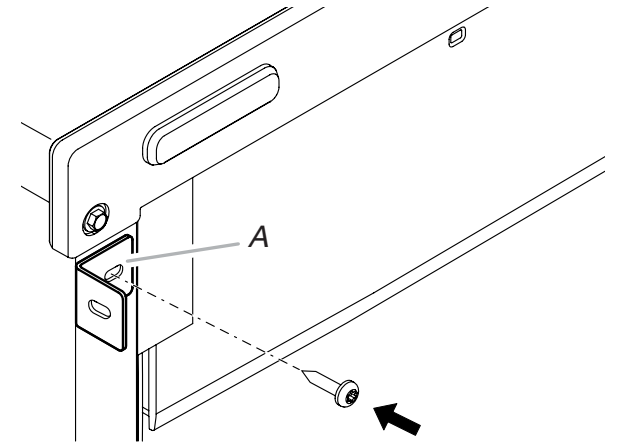


7. S'assurer que la machine à glaçons est à la bonne profondeur. Fixer les charnières du haut et du bas sur le côté de l'armoire en utilisant des vis à bois.



8. Fixer les supports d'armoire (inclus avec la machine à glaçons) aux trous à l'avant de la machine à glaçons comme illustré. Fixer les charnières d'armoire sur le côté de l'armoire en utilisant des vis à bois.

REMARQUE : Pour l'installation du panneau de bois personnalisé, continuer l'installation à l'étape 7 "Installation du panneau de bois personnalisé".



A. Support d'armoire

Panneau de bois personnalisé

Dimensions du panneau personnalisé

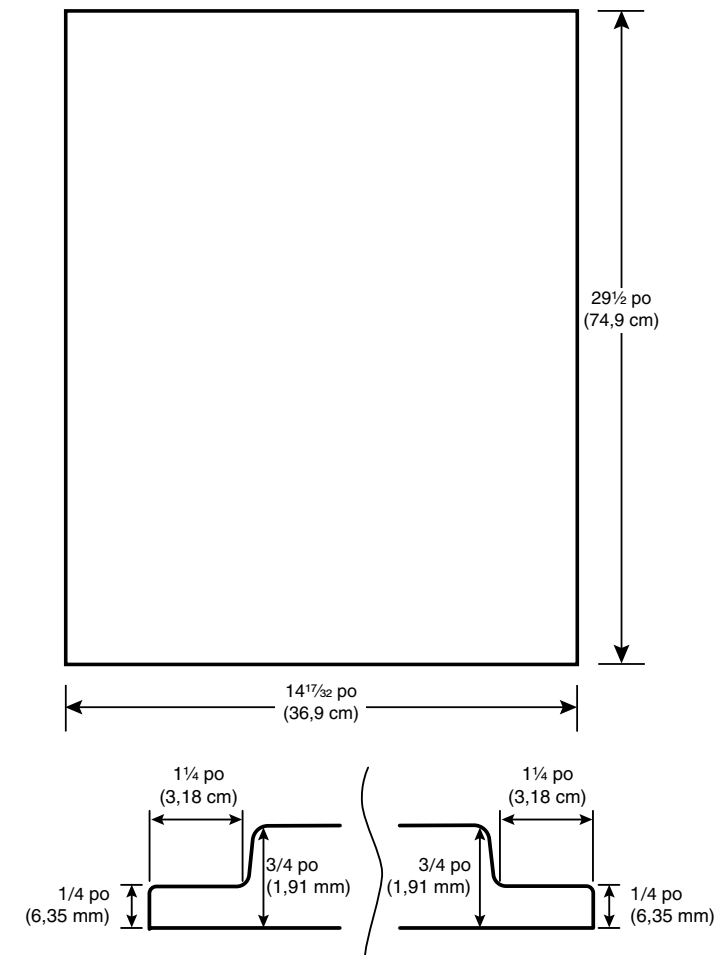
Pour l'installation d'un panneau décoratif personnalisé, l'installateur devra fabriquer lui-même le panneau ou consulter un ébéniste ou menuisier qualifié

IMPORTANT :

- L'épaisseur du panneau décoratif doit être de 3/4 po (1,91 cm).
- Le poids du panneau décoratif ne doit pas dépasser 8 lb (3,62 kg).
- Des panneaux de poids supérieur au poids recommandé risquent d'endommager la machine à glaçons.
- Veiller à ce que le grain du bois ait la même orientation que pour les armoires adjacentes.
- Poncer les bords du panneau pour créer un fini doux.
- Utiliser un composant d'étanchéité sur les faces et les bords du panneau pour le protéger contre l'humidité extérieure.

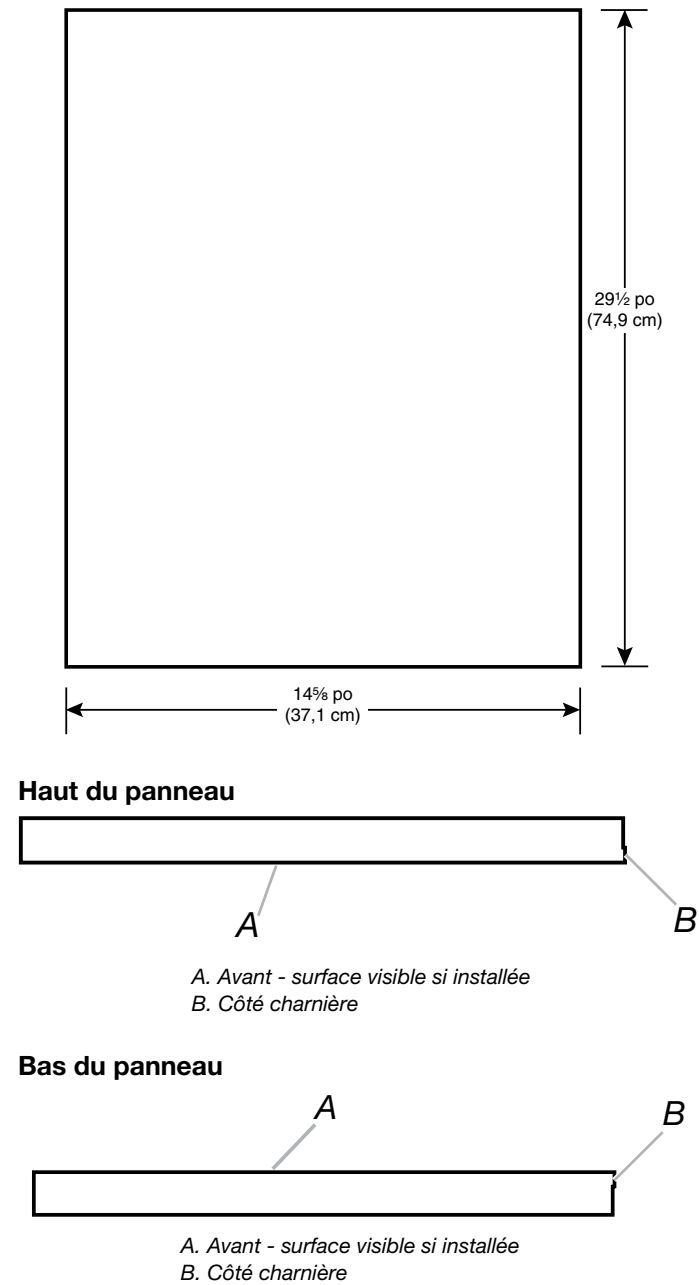
Option 1 – sans espaceur du côté charnière

Pour permettre un bon espacement de la porte, préparez le panneau décoratif personnalisé en utilisant les dimensions indiquées.



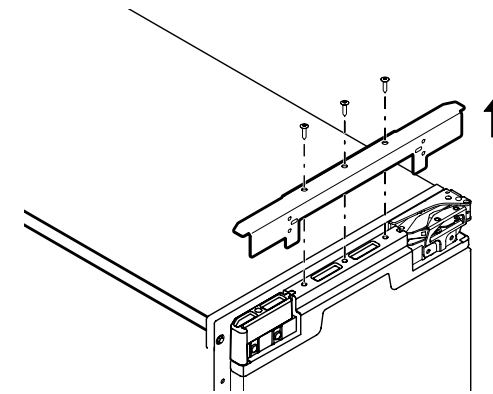
Option 2 – avec espaceur du côté charnière

Pour obtenir une installation en affleurement avec les armoires adjacentes, préparer le panneau décoratif personnalisé en utilisant les dimensions indiquées.

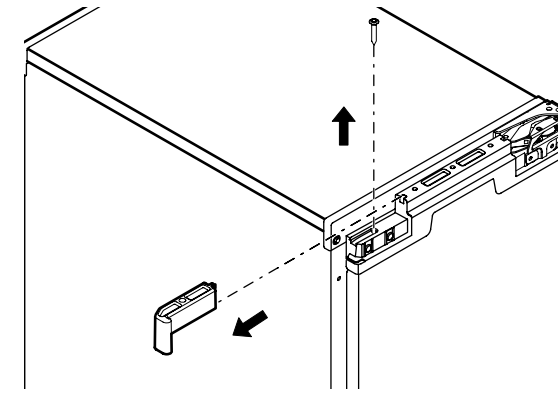


Installation du panneau personnalisé

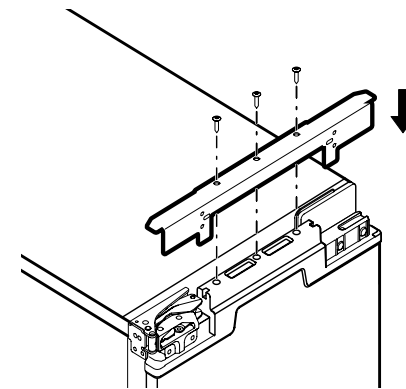
1. Retirer les vis et la bride métallique du haut en utilisant un tournevis cruciforme. Les retirer et les conserver pour plus tard. Passer cette étape et poursuivre avec l'étape 4 si l'inversion de la porte a été effectuée.



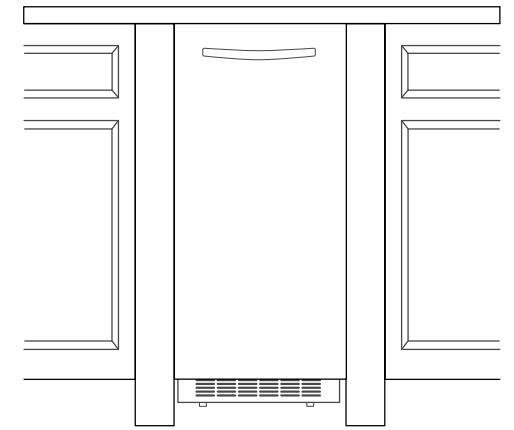
2. Retirer les capuchons supérieur et inférieur en utilisant le tournevis à tête cruciforme et les garder de côté.



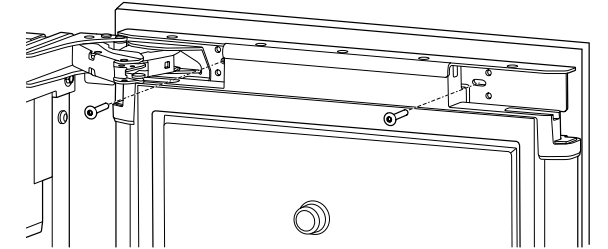
3. Replacer le support de métal du haut en utilisant les vis retirées à l'étape 1.



4. Coller le panneau personnalisé sur la porte en utilisant des morceaux d'adhésifs recto verso et en poussant doucement. Ajuster la hauteur du panneau pour l'aligner avec les armoires. Appuyer fermement le panneau contre la porte.

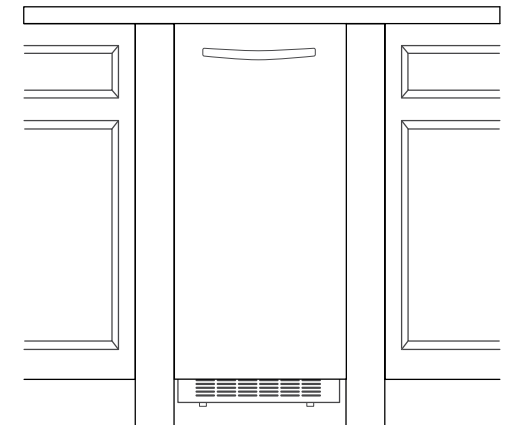


5. À partir de l'intérieur de la porte, installer les vis à bois dans les fentes du support en métal. Continuer avec la section "Mettre à niveau et sécuriser" de l'étape 5.

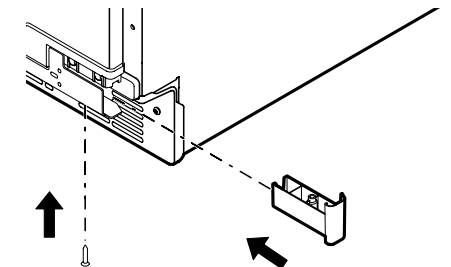


6. Effectuer l'ajustement gauche-droite du panneau pour obtenir l'espace désiré de chaque côté. Installer les vis restantes sur le panneau de porte en passant par les supports.

REMARQUE : S'assurer que le panneau est aligné avec les armoires avant d'installer les vis restantes pour fixer le panneau de porte.



7. Replacer les embouts du haut et du bas dans la porte. Fixer l'embout du bas à l'aide de la vis en passant par le trou de la bride en métal du bas.



Raccordement de la vidange

Après avoir vérifié que le système de vidange est adéquat, il faut procéder comme décrit ci-dessous pour bien mettre la machine à glaçons en place :

⚠ AVERTISSEMENT

Risque du poids excessif

Utiliser deux ou plus de personnes pour déplacer et installer la machine à glaçons.

Le non-respect de cette instruction peut causer une blessure au dos ou d'autre blessure.

1. **Style 1** – Pour un système de vidange par gravité, s'assurer que le tube de vidange soit positionné au-dessus du réducteur de vidange en PVC. Voir la section "Système de vidange par gravité".

Style 2 – Pour un système avec pompe de vidange, connecter le tuyau de sortie de la pompe au drain. Consulter la section "Spécifications de l'évacuation".

REMARQUE : Ne pas raccorder l'extrémité de sortie du tuyau de vidange à un système de canalisation fermé afin d'empêcher l'eau de vidange de refouler dans la machine à glaçons.

2. Rebrancher la machine à glaçons ou l'alimenter.

⚠ AVERTISSEMENT



Risque de choc électrique

Brancher sur une prise à 3 alvéoles reliée à la terre.

Ne pas enlever la broche de liaison à la terre.

Ne pas utiliser un adaptateur.

Ne pas utiliser un câble de rallonge.

Le non-respect de ces instructions peut causer un décès, un incendie ou un choc électrique.

3. Mettre la machine à glaçons en marche. Attendre que le programme de rinçage se déclenche (environ 5 minutes) pour s'assurer que la machine à glaçons fonctionne correctement.
4. Si le code sanitaire local l'exige, sceller la machine sur le plancher à l'aide d'un produit de calfeutrage approuvé une fois que les raccordements d'eau et d'électricité ont été faits.

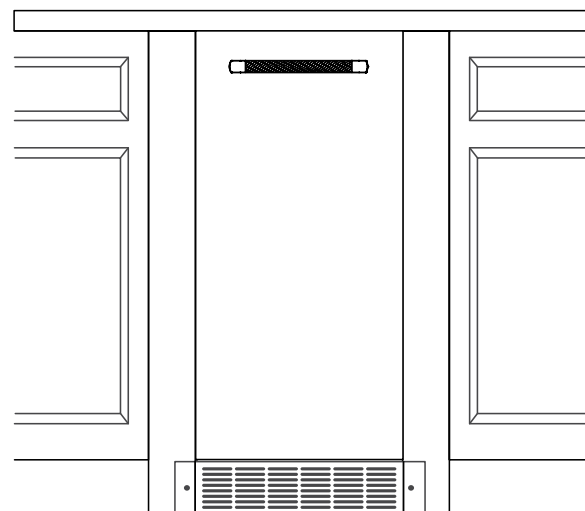
Installation de la grille auxiliaire

La grille auxiliaire incluse peut être utilisée pour aligner la grille inférieure avec le reste des armoires (sans bloquer la ventilation de la machine à glaçons).

Outils requis :

- Tournevis Torx T20
- Perceuse et foret de 1/8 po

1. D'abord, effectuer toutes les étapes pour installer et mettre de niveau la machine à glaçons dans l'armoire. S'assurer que la machine à glaçons est en affleurement avec les armoires adjacentes.
2. Déballez la trousse en enlevant le coussinet extérieur et en jetant tout le matériel d'emballage.
3. Retirer les vis collées dans la partie intérieure de la grille auxiliaire.
4. Placer la grille dans l'armoire. Aligner les parties pour que le motif de grilles de la grille auxiliaire corresponde à celui de la grille inférieure de la machine à glaçons.
5. Centre la grille auxiliaire avec la découpe de la machine à glaçons. Marque sur les armoires les emplacements des trous de chaque côté de la grille auxiliaire.



6. À l'aide du foret de 1/8 po, percer les trous dans les armoires. Ils permettent d'utiliser des vis 8-18 x 0,750.

7. À l'aide d'un tournevis Torx T20, visser la grille auxiliaire aux armoires.

REMARQUE : Pour l'entretien futur de la machine à glaçons, la grille auxiliaire doit être enlevée de l'armoire avant l'appareil.

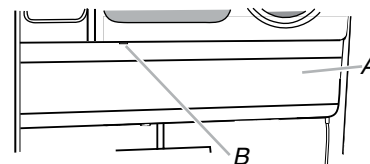
Nettoyage en profondeur

Composants internes

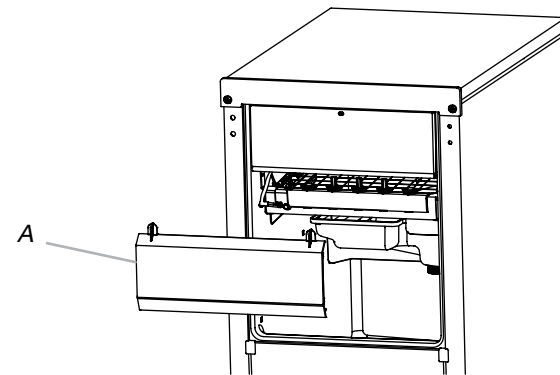
1. Débrancher la machine à glaçons ou couper l'alimentation.
2. Ouvrir la porte où se trouve le bac à glaçons et retirer tout glaçon qui s'y trouve.
3. Retirer le bouchon de vidange du réservoir d'eau et vidanger ce dernier complètement. Réinstaller le bouchon de vidange solidement sur le bac à eau. Si le bouchon de vidange est desserré, l'eau s'écoulera du bac à eau et la glace sera mince ou il n'y aura pas de glace.
4. Tirer le bas du couvercle de la grille de coupe jusqu'à ce qu'il se dégage.

REMARQUE : Sur certains modèles, ôter la vis du couvercle de la grille de coupe.

5. Débrancher le faisceau de câblage de la gauche de la grille de coupe.



A. Couvercle de la grille de coupe
B. Vis (sur certains modèles)

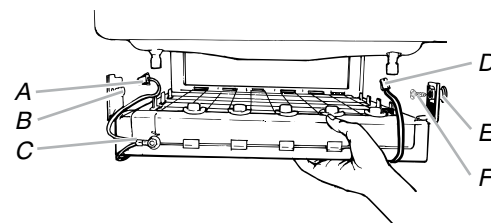


A. Couvercle de la grille de coupe

6. Débrancher le détecteur de niveau de glaçons de la droite de la grille de coupe. Tirer le détecteur de niveau vers le bas et vers l'avant pour l'éloigner de la grille de coupe.

7. Enlever les vis de droite et de gauche. Soulever et sortir la grille de coupe.

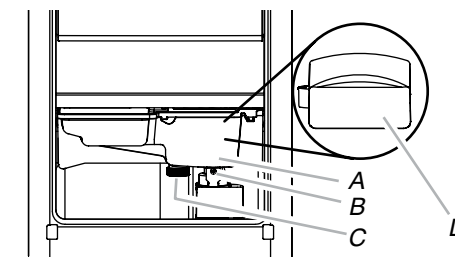
REMARQUE : Il faut s'assurer que la cale d'écartement en plastique du côté droit du support de la grille de coupe suit cette dernière.



A. Faisceau de la grille de coupe
B. Vis
C. Grille de coupe
D. Faisceau du détecteur de niveau de glaçons
E. Cale en plastique
F. Vis

8. Retirer les vis retenant le bac à eau en place. Tirer sur l'avant du bac à eau.

9. Déconnecter le support de pompe du bac à eau et débrancher la pompe de vidange du bac à eau.



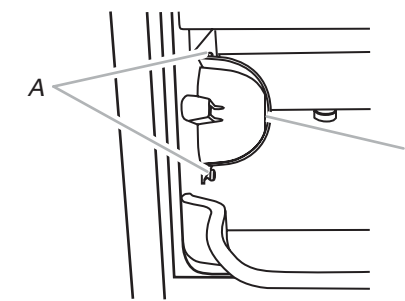
A. Bac à eau
B. Vis du bac à eau
C. Bouchon de vidange
D. Couvercle de la pompe de vidange

10. Retirer, nettoyer et réinstaller le support de cuillère à glaçons et la cuillère à glaçons.

REMARQUE : Sur certains modèles, la cuillère à glaçons se trouve dans la partie supérieure gauche de l'appareil. Sur d'autres, elle se trouve dans la partie inférieure gauche.

Sur certains modèles

- Enlever le support en retirant les 2 vis.
- Laver le support de la cuillère à glaçons et la cuillère à glaçons en même temps que les autres composants internes en suivant les instructions suivantes.
- Réinstaller le support de la cuillère à glaçons en réinstallant les vis.



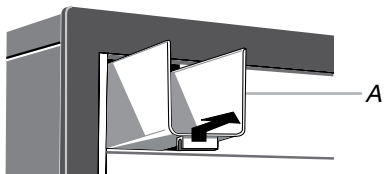
A. Vis
B. Support de cuillère à glaçons

Sur certains modèles

- Après avoir retiré la cuillère à glaçons, enlever le support en ôtant les 2 vis.

REMARQUE : Sur certains modèles, retirer le support en le soulevant, puis en le sortant.

- Laver le support de la cuillère à glaçons en même temps que les autres composants internes en suivant les instructions suivantes.
- Replacer le support de la cuillère à glaçons en réinstallant les vis. ou sur certains modèles, en poussant le support vers l'intérieur puis le bas.



A. Support de cuillère à glaçons

- 11.** Laver les composants intérieurs (grille de coupe, extérieur des tuyaux et bac à eau), le bac d'entreposage de glaçons, le joint d'étanchéité de la porte, la cuillère à glaçons et le support de la cuillère à glaçons avec une eau tiède et un savon ou un détergent doux. Rincer avec de l'eau propre. Nettoyer ensuite ces mêmes composants à l'aide d'une solution comprenant 1 cuillerée à soupe (15 ml) d'agent de blanchiment dans 1 gal (3,8 l) d'eau tiède. Rincer à nouveau à fond avec de l'eau propre.

REMARQUE : Ne pas retirer les tuyaux. Ne pas laver les composants en plastique au lave-vaisselle. Ces composants ne résistent pas à des températures supérieures à 63 °C (145 °F).

- 12.** Pour réinstaller le bac à eau, le placer à l'intérieur du bac à glaçons. Raccorder la pompe de vidange du bac à eau. Remboîter le support de pompe sur le bac à eau et le remettre en place. Fixer le bac à eau en réinstallant la vis de montage.

- 13.** Vérifier ce qui suit :

- Le bouchon de vidange du bac à eau est en place. Si le bouchon de vidange est desserré, l'eau s'écoulera du bac à eau et la glace sera mince ou il n'y aura pas de glace.
- Le tuyau provenant du bac à eau est inséré dans l'ouverture de vidange du bac d'entreposage.

- 14.** Glisser la grille de coupe en place et la fixer en remettant la vis du côté droit et la cale d'espacement en plastique. Serrer ensuite la vis de gauche. Rebrancher les faisceaux de câblage de la grille de coupe et du détecteur de niveau de glaçons.

- 15.** Replacer le couvercle de la grille de coupe.

REMARQUE : Sur certains modèles, remplacer le couvercle de la grille de coupe en utilisant les deux vis retirées précédemment.

- 16.** Nettoyer le tableau de commande en douceur et avec précaution à l'aide d'un torchon propre et doux et d'un mélange d'eau tiède et de détergent à vaisselle liquide doux.

- 17.** Rebrancher la machine à glaçons ou l'alimenter.

- 18.** Après le nettoyage, s'assurer que toutes les commandes sont correctement réglées et qu'aucun témoin de commande ne clignote.

Lavage rapide

Il faudra une bouteille de 16 oz (473 ml) de nettoyant approuvé pour machine à glaçons. Nous recommandons d'utiliser le nettoyant pour machine à glaçons *affresh®, numéro de pièce 4396808.

SEGURIDAD DE LA FÁBRICA DE HIELO

Su seguridad y la seguridad de los demás es muy importante.

Hemos incluido muchos mensajes importantes de seguridad en este manual y en su electrodoméstico. Lea y obedezca siempre todos los mensajes de seguridad.



Este es el símbolo de alerta de seguridad.

Este símbolo le llama la atención sobre peligros potenciales que pueden ocasionar la muerte o una lesión a usted y a los demás.

Todos los mensajes de seguridad irán a continuación del símbolo de advertencia de seguridad y de la palabra "PELIGRO" o "ADVERTENCIA". Estas palabras significan:

 **PELIGRO**

Si no sigue las instrucciones de inmediato, usted puede morir o sufrir una lesión grave.

 **ADVERTENCIA**

Si no sigue las instrucciones, usted puede morir o sufrir una lesión grave.

Todos los mensajes de seguridad le dirán el peligro potencial, le dirán cómo reducir las posibilidades de sufrir una lesión y lo que puede suceder si no se siguen las instrucciones.

INSTRUCCIONES IMPORTANTES DE SEGURIDAD

ADVERTENCIA: Para reducir el riesgo de incendio, choque eléctrico o lesiones personales al usar el electrodoméstico, siga precauciones básicas, entre ellas las siguientes:

- Los niños deben estar bajo supervisión para garantizar que no jueguen con el aparato.
- Este aparato no ha sido diseñado para ser usado por personas (incluidos niños) con capacidad física, sensorial o mental reducida, o con falta de experiencia y conocimiento, a menos que una persona responsable de su seguridad les brinde supervisión o instrucciones relativas al uso del aparato.
- No use un cable eléctrico de extensión.
- Si se ha dañado el cable de suministro eléctrico, deberá ser reemplazado por el fabricante, por el agente de servicio del fabricante o por una persona con calificación similar, con el fin de evitar riesgos.
- Conecte solamente al suministro de agua potable.
- Este electrodoméstico está diseñado para su uso doméstico y aplicaciones similares, como: áreas de cocina para el personal en tiendas, oficinas y otros entornos de trabajo; granjas; por parte de clientes en hoteles, moteles y otros entornos residenciales; posadas, servicios de comida y aplicaciones similares que no sean de venta al por menor.
- No guarde en este electrodoméstico sustancias explosivas, como latas en aerosol con propelente inflamable.
- No use piezas de repuesto que no hayan sido recomendadas por el fabricante (por ejemplo, piezas hechas en casa con una impresora 3D).

GUARDE ESTAS INSTRUCCIONES

INSTRUCCIONES DE INSTALACIÓN

Cómo desempacar la máquina de hielo

⚠️ ADVERTENCIA

Peligro de Peso Excesivo

Use dos o más personas para mover e instalar la fábrica de hielo.

No seguir esta instrucción puede ocasionar una lesión en la espalda u otro tipo de lesiones.

Cómo quitar los materiales de empaque

Quite las cintas y goma de su fábrica de hielo antes de usarla.

- Para eliminar los residuos de cinta o goma, frote el área enérgicamente desde afuera de la fábrica de hielo con su dedo pulgar. Los residuos de la cinta adhesiva o goma también pueden quitarse frotando un poco de detergente líquido para vajillas con los dedos. Limpie con agua tibia y seque.
- No use instrumentos filosos, alcohol para fricciones, líquidos inflamables o limpiadores abrasivos para eliminar los restos de cinta o de adhesivo. No use blanqueador con cloro en las superficies de acero inoxidable de la fábrica de hielo. Estos productos pueden dañar la superficie de su máquina de hielo.

Limpiar antes del uso

Luego de quitar todos los materiales de empaque, limpie el interior de su máquina de hielo antes de usarla. Vea las instrucciones de limpieza en la sección "Cuidado de la fábrica de hielo" del Manual de uso y cuidado.

Vacaciones o tiempo prolongado sin uso

- Cuando no utilice la fábrica de hielo por un período largo de tiempo, retire la electricidad y el suministro de agua de la fábrica de hielo.
- Verifique que las líneas de suministro de agua estén protegidas contra congelamiento. La formación de hielo en las líneas de suministro puede aumentar la presión del agua y dañar la máquina de hielo o la casa. Los daños ocasionados por congelamiento no están cubiertos por la garantía.

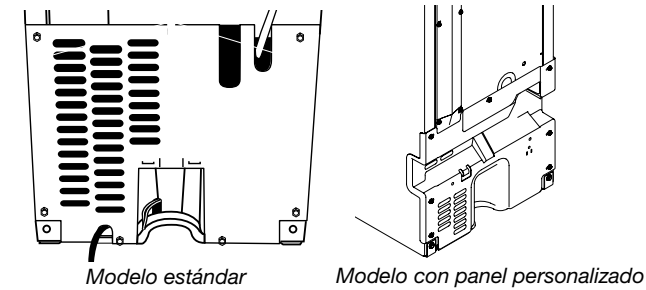
Requisitos de ubicación

- La instalación debe cumplir con todos los códigos y reglamentos aplicables.
- Para asegurar la ventilación adecuada de la fábrica de hielo, el lado delantero debe estar completamente despejado. La fábrica de hielo puede estar sin ventilación en la parte superior y por sus tres paredes, pero la instalación debe permitir que se jale hacia afuera para reparaciones, si fuese necesario.
- El juego de rejilla auxiliar provisto (solo en paneles personalizados) puede utilizarse para alinear la rejilla de pie con el resto de los gabinetes y al mismo tiempo no obstruir la ventilación de la fábrica de hielo.
- La instalación de la fábrica de hielo requiere de una entrada de agua fría por medio de una tubo de cobre blando de 1/4" (6,35 mm) de diámetro exterior con válvula de cierre o una línea de suministro Whirlpool número 8212547RB y una bomba de desagüe aprobada por Whirlpool, pieza número 1901A, solo para llevar el agua a un desagüe existente.
- Elija un área bien ventilada con temperaturas sobre los 55 °F (13 °C) y por debajo de los 110 °F (43 °C). Los mejores resultados se obtienen entre 70 °F y 90 °F (21 °C y 32 °C).
- La fábrica de hielo se debe instalar en un área protegida de elementos como el viento, la lluvia, salpicaduras de agua o goteos.
- Cuando instale una fábrica de hielo debajo de un mesón, considere las dimensiones de abertura recomendadas. Coloque los elementos eléctricos y de plomería en los lugares recomendados en la imagen.

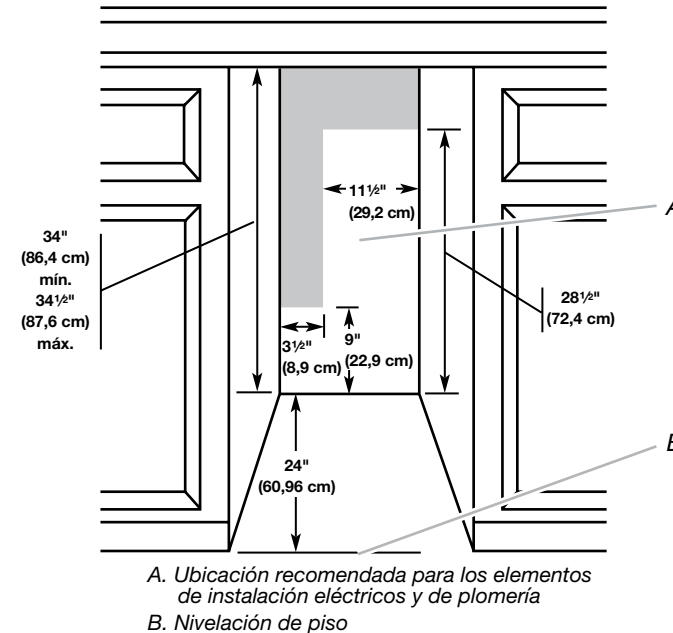
NOTAS:

- Verifique que el cable de alimentación eléctrica no esté dañado, pellizcado o retorcido entre la fábrica de hielo y el gabinete.
- Verifique que la línea de suministro de agua no esté dañada, pellizcada o retorcida entre la fábrica de hielo y el gabinete.
- Verifique que la línea de desagüe (en algunos modelos) no esté dañada, pellizcada o retorcida entre la fábrica de hielo y el gabinete.
- Elija una ubicación donde el piso esté nivelado. Es importante que la fábrica de hielo esté nivelada para que funcione adecuadamente. Si es necesario, puede ajustar la altura de la fábrica de hielo al cambiar la altura de las patas niveladoras. Consulte "Nivelado y asegurado".

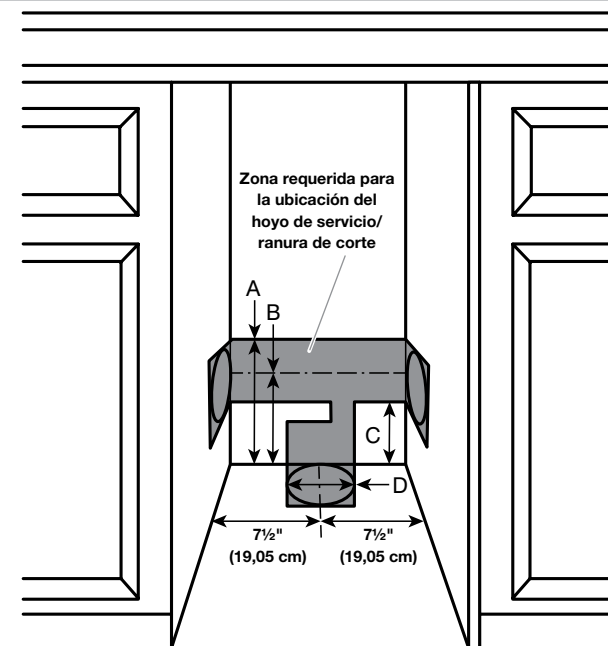
Identificación de modelo:



Servicios en el modelo estándar



Servicios en el modelo con panel personalizado



Zona de ubicación de la ranura de corte/servicio		
Dimensión	A	9" (22,9 cm)
	B	8" (20,3 cm)
	C	7" (17,8 cm)
Diámetro del hoyo	D	2" (5 cm)

- Los modelos con panel personalizado se diseñaron para instalaciones de descarga en casos en los que el suministro eléctrico, suministro de agua y desagüe se encuentren ubicados en un gabinete adyacente.
- Para la instalación del producto con servicios detrás de la máquina de hielo, puede que no se logre la instalación de descarga.
- Consulte las ilustraciones y tablas debajo de "Servicios en el modelo con panel personalizado" para ver la ubicación del hoyo del servicio/ranura de corte.

Requisitos eléctricos

⚠️ ADVERTENCIA



Peligro de Choque Eléctrico

Conecte a un contacto de pared de conexión a tierra de 3 terminales.

No quite la terminal de conexión a tierra.

No use un adaptador.

No use un cable eléctrico de extensión.

No seguir estas instrucciones puede ocasionar la muerte, incendio o choque eléctrico.

Antes de trasladar la fábrica de hielo a su ubicación final, es importante cerciorarse de que tenga la conexión eléctrica apropiada:

Se requiere un circuito de suministro eléctrico con fusibles de 15 o 20 A, de 115 V, 60 Hz, de CA solamente, conectado adecuadamente a tierra de acuerdo con el Código Nacional de Electricidad y con los códigos y ordenanzas locales.

Se recomienda tener un circuito separado que sirva sólo para la fábrica de hielo. Use un receptáculo que no pueda ser desconectado con un interruptor o con un conmutador a cadena.

IMPORTANTE: Si este producto está conectado a un tomacorriente equipado con GFCI (Ground Fault Circuit Interrupter- Interruptor de circuito de falla eléctrica de puesta a tierra), puede ocurrir un disparo molesto del suministro de energía, lo que resultará en la pérdida de refrigeración. Esto puede afectar la calidad del hielo. Si ha ocurrido un disparo molesto, y el hielo aparenta estar en malas condiciones, deshágase del mismo.

Método de conexión a tierra recomendado

La fábrica de hielo debe estar conectada a tierra. La fábrica de hielo viene equipada con un cable de suministro eléctrico dotado de un enchufe de 3 terminales con conexión a tierra. El cable debe ser enchufado en un contacto apropiado de pared de tres terminales, conectado a tierra de acuerdo con el Código Nacional de Electricidad y con los códigos y normas locales. Si no hubiera un contacto de pared adecuado, el cliente tiene la responsabilidad de contratar a un electricista calificado para instalar un contacto de pared apropiado de tres terminales con conexión a tierra.

Requisitos del suministro de agua

Verifique que las líneas de suministro de agua estén protegidas contra congelamiento. La formación de hielo en las líneas de suministro puede aumentar la presión del agua y dañar la fábrica de hielo o su hogar. Los daños ocasionados por líneas de suministros congeladas no están cubiertos por la garantía.

Se necesita un suministro de agua fría con presión de agua entre 30 y 120 lbs/pulg² (207 y 827 kPa) para hacer funcionar la fábrica de hielo. Si tiene preguntas acerca de la presión del agua, llame a un plomero competente matriculado.

Suministro de agua por ósmosis inversa

IMPORTANTE:

- Conecte solamente a agua potable.

No use con agua que no sea microbiológicamente segura o que sea de calidad desconocida sin desinfectarla adecuadamente antes o después del sistema. Pueden usarse sistemas certificados para la reducción de quistes en aguas desinfectadas que puedan contener quistes filtrables.

- La presión del suministro de agua que sale de un sistema de ósmosis inversa y va a la válvula de entrada de agua de la fábrica de hielo debe ser entre 30 lbs/pulg² y 120 lbs/pulg² (207 kPa y 827 kPa).

Si el sistema de filtrado de agua por ósmosis inversa está conectado al suministro de agua fría, la presión de agua para el sistema de ósmosis inversa debe ser entre 40 psi y 60 psi (276 kPa y 414 kPa).

NOTA: El sistema de ósmosis inversa debe suministrar 1 galón (3.8 L) de agua por hora a la fábrica de hielo para que ésta funcione adecuadamente. Si se desea un sistema de ósmosis inversa, se recomienda solamente un sistema de ósmosis inversa con capacidad para toda la casa, que sea capaz de mantener el suministro continuo de agua requerido por la fábrica de hielo. Los sistemas de ósmosis inversa con capacidad adecuada para grifos no pueden mantener el suministro continuo de agua requerido por la fábrica de hielo.

Si la presión de agua hacia el sistema de ósmosis inversa es menor de 40 lbs/pulg² a 60 lbs/pulg² (276 kPa a 414 kPa):

- Fíjese si el filtro de sedimentos del sistema de ósmosis inversa está bloqueado. Reemplácelo si fuera necesario.
- Deje que se vuelva a llenar el tanque de almacenamiento del sistema de ósmosis inversa después del uso intenso.

Si tiene preguntas acerca de la presión del agua, llame a un plomero competente matriculado.

Requisitos para la conexión del desagüe

Sistema de desagüe por gravedad

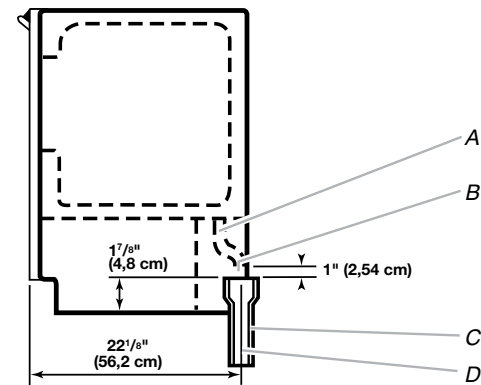
Conecte la manguera de la bomba de desagüe a su desagüe de conformidad con todos los códigos y ordenanzas locales y estatales. Si la fábrica de hielo viene con un sistema de desagüe por gravedad, siga estas directrices cuando instale las líneas de desagüe. Esto ayudará a evitar que el agua regrese al cajón de almacenaje de la fábrica de hielo y probablemente caiga en el piso ocasionando daños.

- Las líneas de desagüe deben tener un mínimo de 5/8" (15,88 mm) de D.I. (diámetro interno).

- Las líneas de desagüe deben tener una caída de 1" por 48" (2,54 cm por 122 cm) de recorrido o 1/4" de caída por 12" (6,35 mm por 30,48 cm) por recorrido y no debe tener puntos bajos donde el agua pueda asentarse.
- Los desagües por el piso deben ser lo suficientemente grandes para acomodar todos los desagües.
- La instalación ideal tiene un tubo vertical con un reductor de desagüe de PVC de 1 1/2" (3,81 cm) a 2" (5,08 cm) instalado directamente debajo de la salida del tubo de desagüe, como se ilustra. Usted debe mantener un espacio de aire de 1" (2,54 cm) entre la manguera de la bomba de desagüe y el tubo vertical.
- No conecte el extremo del tubo de desagüe a un sistema de tubería cerrada para evitar que el agua de desagüe entre de vuelta a la fábrica de hielo.

IMPORTANTE: Cuando no hay disponible un desagüe por el piso, es necesario tener una bomba de desagüe. Hay disponible para la venta un juego de bomba de desagüe, pieza número 1901A.

Vista lateral



- A. Manguera de desagüe
 B. Brecha de aire de 1" (2,54 cm)
 C. Reductor de desagüe de PVC de 2" a 1 1/2" (5 cm a 3,8 cm)
 D. El centro del desagüe deberá estar a 22 1/8" (56,2 cm) del frente de la puerta, con o sin el panel de 3/4" (1,91 cm) en la puerta. El desagüe debe estar centrado de izquierda a derecha (7 1/16" [18,56 cm] a cada lado de la fábrica de hielo).

Sistema de la bomba de desagüe (en algunos modelos)

IMPORTANTE:

- Conecte el desagüe de la fábrica de hielo a su desagüe de conformidad con el International Plumbing Code (Código internacional de plomería) y los códigos y ordenanzas locales.
- La línea de descarga de la bomba de desagüe debe terminar en un desagüe abierto.
 - Elevación máxima: 10 pies (3,1 m)
 - Recorrido máximo: 100 pies (30,5 m)

NOTAS:

- Si la manguera de desagüe se tuerce y el agua no sale, su fábrica de hielo no funcionará.
- Sería ideal aislar la línea de desagüe completamente hasta el orificio de entrada del desagüe. Hay disponible para la venta un juego de manguito aislador, pieza número W10365792.
- No conecte el extremo del tubo de desagüe a un sistema de tubería cerrada para evitar que el agua de desagüe entre de vuelta a la fábrica de hielo.
- Capacidad máxima de la bomba de desagüe: Por cada 1 pie (0,31 m) de elevación, reste 10 pies (3,1 m) de recorrido máximo permitido.

Cambio del sentido de apertura de la puerta

⚠ ADVERTENCIA



Peligro de Choque Eléctrico

Desconecte el suministro de energía antes de darle mantenimiento.

Vuelva a colocar todos los componentes y paneles antes de hacerlo funcionar.

No seguir estas instrucciones puede ocasionar la muerte o choque eléctrico.

⚠ ADVERTENCIA



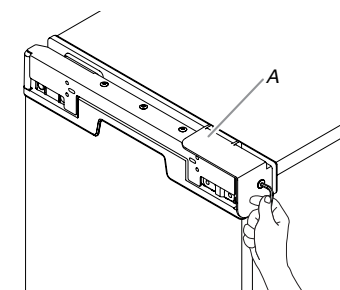
Peligro de aplastamiento

Las bisagras articuladas son de cierre automático y existen muchos puntos de ajuste antes de la instalación en el gabinete.

No retire las cubiertas de las bisagras hasta que el producto esté listo para su instalación.

No seguir estas instrucciones puede ocasionar heridas por aplastamiento, cortes o pellizcos.

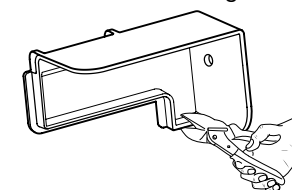
1. Desenchufe la máquina de hielo o desconecte el suministro de energía.
2. Quite los tornillos que adhieren las cubiertas superiores e inferiores de las bisagras utilizando un destornillador hexagonal de 3/16".



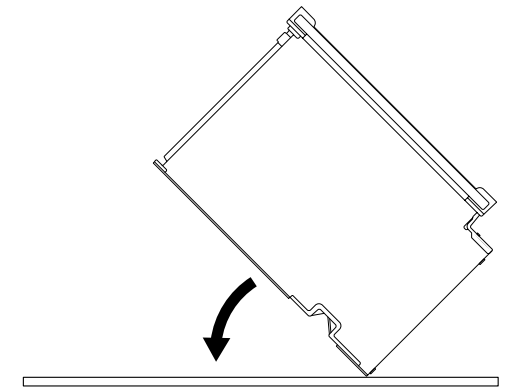
A. Cubierta de la bisagra

3. Utilizando un alicate, quitar las cubiertas de la bisagra desde las bisagras superiores a las inferiores.

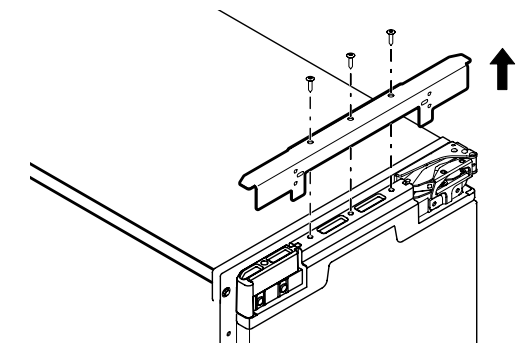
NOTA: Guardar las cubiertas de la bisagra para uso futuro. Vuelva a instalar las cubiertas de las bisagras si se va a quitar el producto de la instalación en el gabinete.



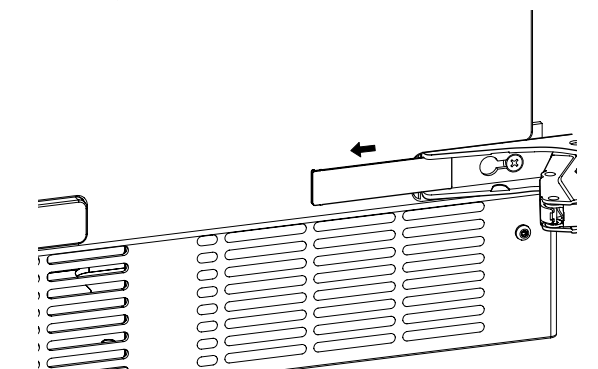
4. Voltar la máquina de hielo como se muestra en la ilustración. Asegúrese de cubrir el piso con cartón o madera para evitar daños en el mismo.



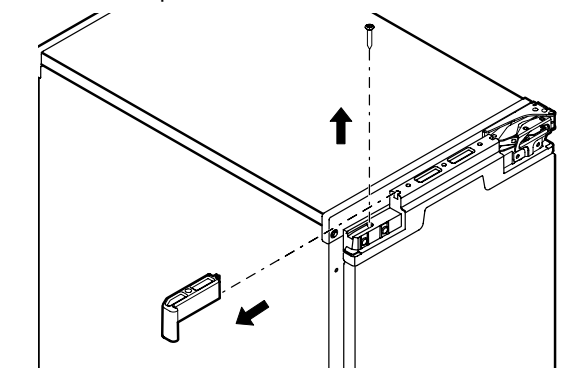
5. Quite los tornillos que sostienen el panel de acero inoxidable desde la parte inferior de la puerta. Deje el panel de acero inoxidable y los tornillos a un lado. Para el modelo con panel personalizado, quite los tornillos y el soporte superior de metal utilizando un destornillador Phillips. Déjelos a un lado.



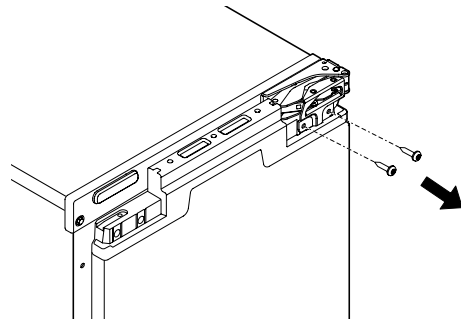
6. Retire la cubierta de plástico de los tornillos desde el interior de las bisagras y déjelos a un lado.



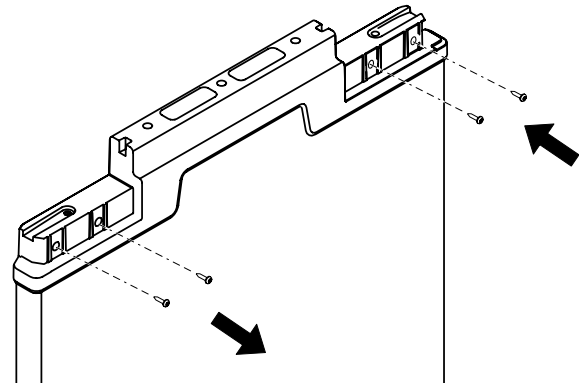
7. Retire las tapas de plástico de los extremos superiores e inferiores de la puerta.



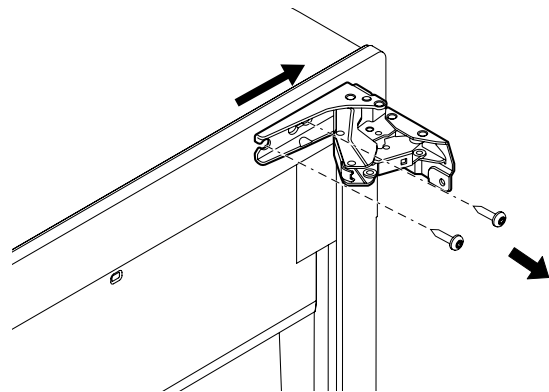
8. Quite los tornillos de la bisagra de la puerta completamente de las bisagras superiores e inferiores y déjelos a un lado.



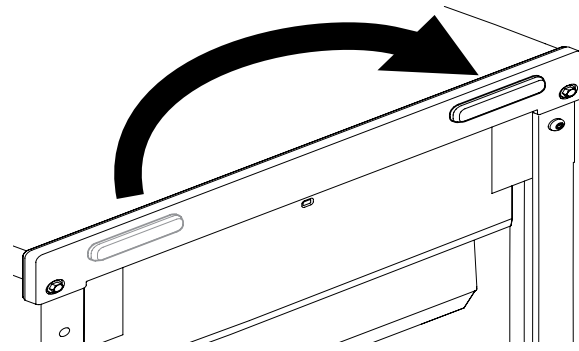
9. Quitar la puerta y colocarla a un lado. Intercambie los tornillos de la bisagra al lado opuesto.



10. Quite los tornillos y bisagras del gabinete con un destornillador Torx T25 y déjelos a un lado.

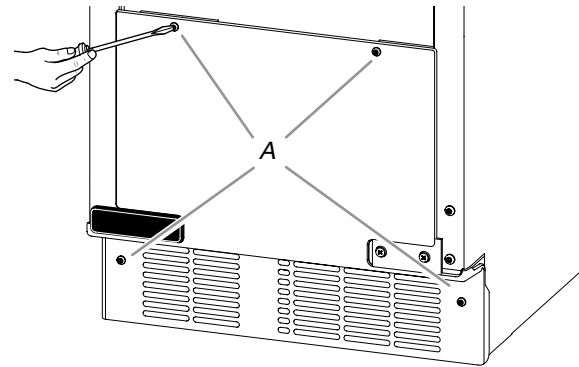


11. Quite la cubierta del tornillo y colóquela en el otro lado.



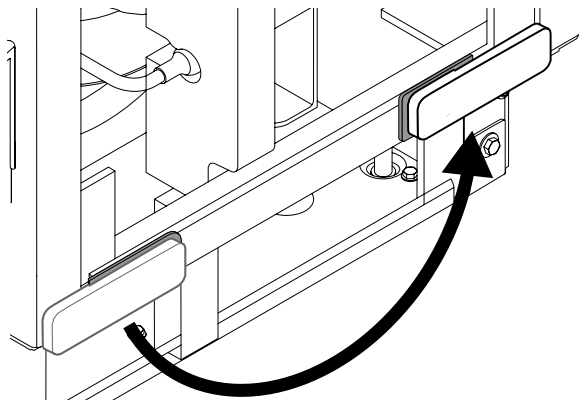
Cómo preparar las bisagras inferiores

1. Desatornille y quite la cubierta de la rejilla utilizando un destornillador Torx T20. Déjelas a un lado.

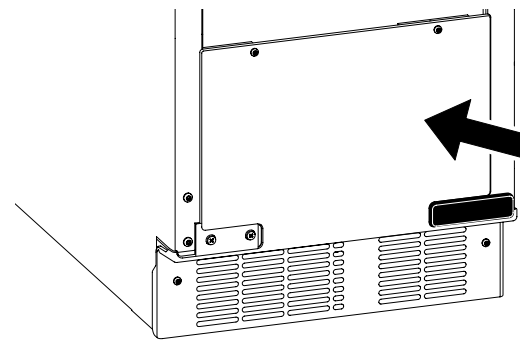


A. Tornillos de la cubierta de la rejilla

2. Quite la cubierta de los tornillos y colóquela en el otro lado como muestra la ilustración.

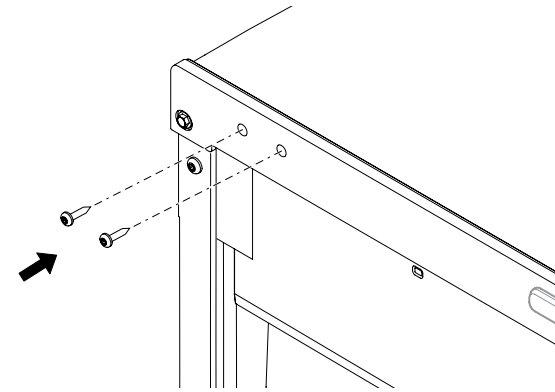


3. Vuelva a instalar la cubierta de la rejilla.

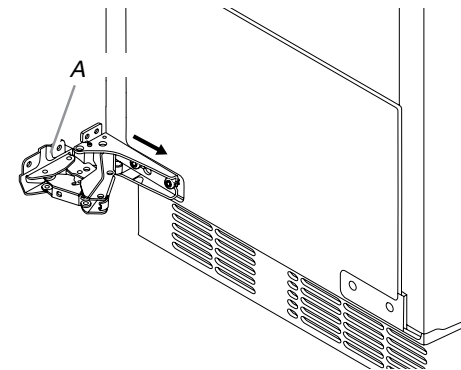


Cómo invertir las bisagras y las tapas de los extremos

1. Instalar los tornillos de las bisagras (que se dejaron a un lado en el paso 10 de “Cómo quitar las bisagras y el panel de la puerta”) hasta la mitad en el lado deseado del gabinete.

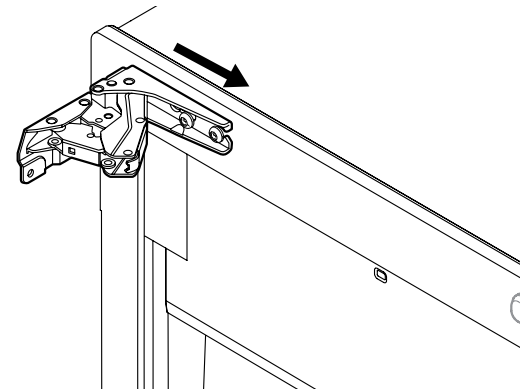


2. Tomar la bisagra superior original, darla vuelta y colocarla en la posición de la bisagra inferior en el lado opuesto. Deslizar dentro del gabinete los tornillos de la bisagra. Las solapas de la bisagra sobre las bisagras deben siempre estar enfrentadas entre sí.



A. Solapa de la bisagra

3. Tomar la bisagra inferior original, darla vuelta y colocarla en la posición de la bisagra superior en el lado opuesto. Deslizar dentro del gabinete los tornillos de la bisagra.

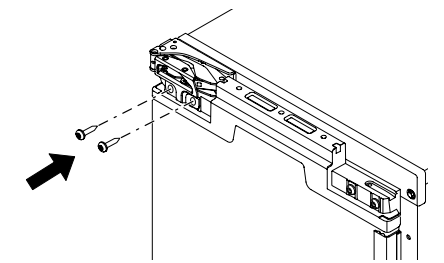


4. Ajustar completamente los tornillos de las bisagras superiores e inferiores.

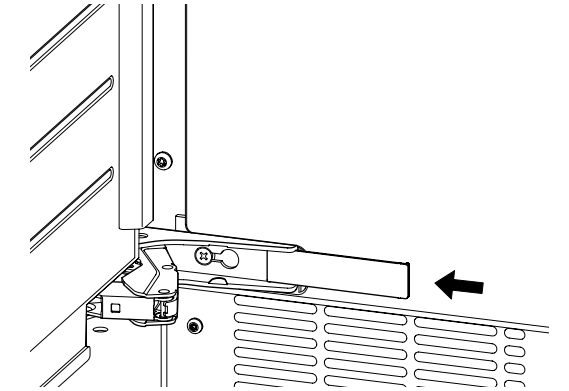
Colocación final de la puerta

NOTA: Antes de colocar la puerta nuevamente en la fábrica de hielo, verifique todas las piezas instaladas para asegurarse que no haya tornillos expuestos, que todas las tapas de los tornillos estén puestas y que la puerta está mirando hacia el lado correcto con el lado de acero mirando hacia afuera.

1. Deslizar la puerta en las bisagras. Utilizando un destornillador Torx T25 colocar los tornillos (quitados en el paso 6 de la sección “Cómo quitar las bisagras”) en la puerta.

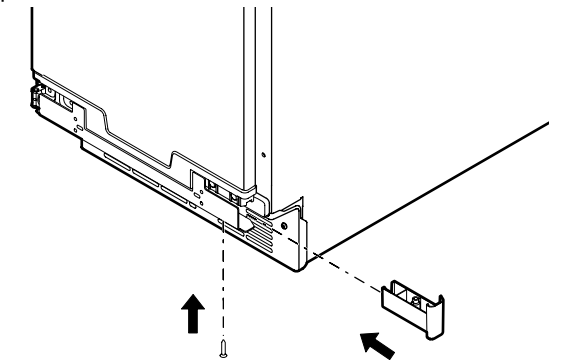


2. Volver a instalar la cubierta de plástico de los tornillos en las ubicaciones originales sobre las bisagras.

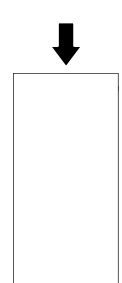


3. Volver a colocar las tapas de los extremos superiores e inferiores en la puerta (la tapa del extremo superior derecho ahora se encuentra en la parte inferior izquierda y vice versa).

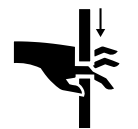
NOTA: Para la instalación en madera personalizada saltar este paso.



4. Colocar el panel de acero de la puerta sobre la puerta una vez que todos los tornillos estén ajustados. Para panel de puerta personalizado, saltar este paso.



⚠️ ADVERTENCIA



Peligro de aplastamiento

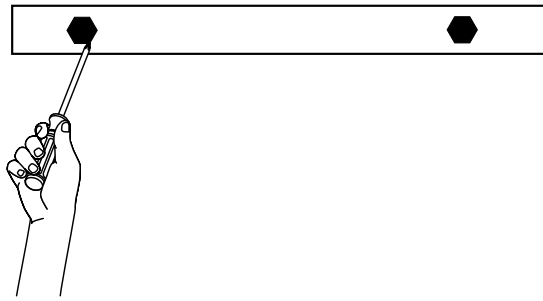
Las bisagras articuladas son de cierre automático y existen muchos puntos de ajuste antes de la instalación en el gabinete.

No utilice ni cierre las bisagras mientras se retiran de la máquina de hielo.

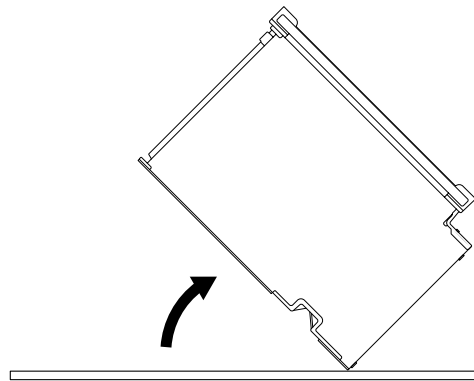
No seguir estas instrucciones puede ocasionar heridas por aplastamiento, cortes o pellizcos.

¹Torx, T20 y T25 son marcas comerciales de Acument Intellectual Properties, LLC.

- Atornillar los dos tornillos de cabeza hexagonal nuevamente en la parte inferior de la puerta. Para panel de puerta personalizado, saltar este paso.

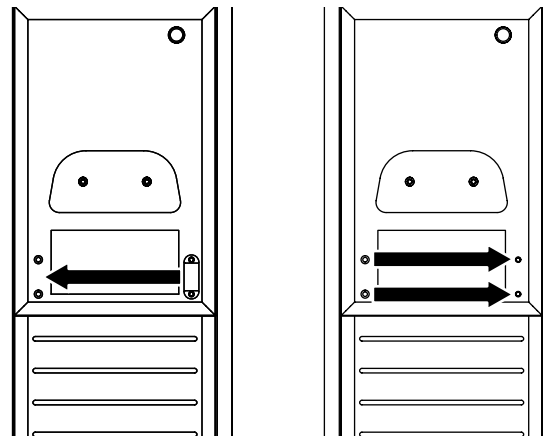


- Volver a colocar la máquina de hielo en su posición vertical.



Cómo invertir el seguro de la puerta

- Saque los tornillos decorativos blancos del lado opuesto de la puerta y déjelos aparte.
- Retire los tornillos del seguro magnético de la puerta y colóquelos en el lado opuesto de la puerta.



- Instale los tornillos decorativos blancos en el lado opuesto de la puerta.

⚠ ADVERTENCIA

Peligro de Choque Eléctrico

Conecte a un contacto de pared de conexión a tierra de 3 terminales.

No quite la terminal de conexión a tierra.

No use un adaptador.

No use un cable eléctrico de extensión.

No seguir estas instrucciones puede ocasionar la muerte, incendio o choque eléctrico.

- Enchufe en un tomacorriente de 3 terminales con conexión a tierra.

Instalación de la bomba de desagüe (en algunos modelos)

NOTAS:

- Conecte la bomba de desagüe a su desagüe en conformidad con todos los códigos y ordenanzas locales y estatales.
- Puede ser útil aislar el tubo de desagüe completamente a través de la entrada del desagüe para minimizar la condensación en el tubo de desagüe. Hay disponible para la venta un juego de tubo aislador, pieza número W10365792.
- La bomba de desagüe ha sido diseñada para bombear agua hasta una altura máxima de 10 pies (3 m). Utilice únicamente el juego de bomba de desagüe con el número de pieza 1901A aprobada por Whirlpool.
- No conecte el extremo del tubo de desagüe a un sistema de tubería cerrada para evitar que el agua de desagüe entre de vuelta a la fábrica de hielo.

El juego contiene:

- Un juego de bomba de desagüe, número de pieza 1901A
- Tubo de desagüe de 5/8" de diámetro interno x 5 1/8" (recipiente de fábrica de hielo a entrada del recipiente de la bomba de desagüe)
- Manguera de tubo de desagüe de 1/2" de diámetro interno x 10 pies (3 m) (descarga de bomba de desagüe al desagüe del hogar)
- Tubo de ventilación de 5/16" de diámetro interior x 32" (81 cm) (ventilación de recipiente de bomba de desagüe a parte trasera de gabinete de máquina de hielo)
- Brida para cables (mantienen el tubo de ventilación pegado a la parte trasera de la fábrica de hielo) (1)
- Tornillos para montar la bomba n.º 8-32 x 3/8" (conecta la bomba de desagüe a la placa base y abrazaderas a la parte trasera de la máquina de hielo) (5)
- Abrazadera de manguera ajustable pequeña de 5/8" (conecta la ventilación a la bomba de desagüe)
- Abrazadera de manguera ajustable grande de 7/8" (conecta el tubo de desagüe al recipiente de la máquina de hielo y a la entrada del recipiente de la bomba de desagüe) (3)
- Panel posterior (2)
- Hoja de instrucciones

Si la fábrica de hielo ya se encuentra instalada

NOTA: Si la fábrica de hielo no está instalada, consulte la sección "Instalación de la bomba de desagüe".

- Presione el interruptor selector en la posición OFF (Apagado).

⚠ ADVERTENCIA

Peligro de Choque Eléctrico

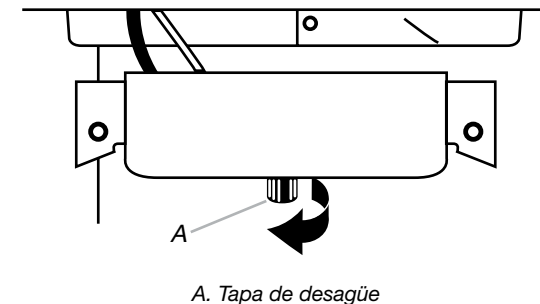
Desconecte el suministro de energía antes de darle mantenimiento.

Vuelva a colocar todos los componentes y paneles antes de hacerlo funcionar.

No seguir estas instrucciones puede ocasionar la muerte o choque eléctrico.

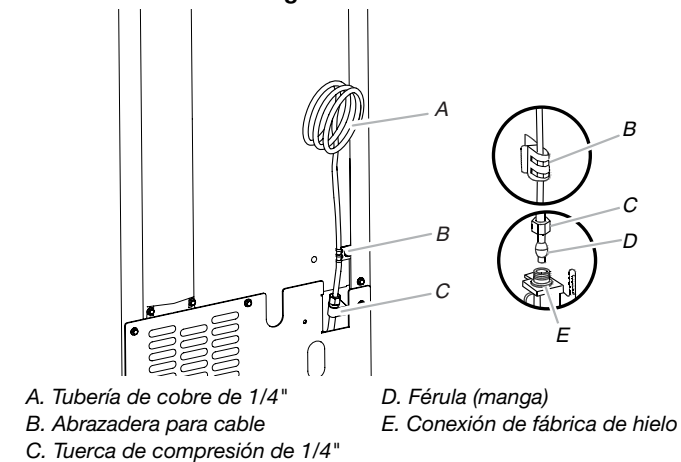
- Desenchufe la fábrica de hielo o desconecte el suministro de energía.
- Cierre el suministro de agua. Espere entre 5 a 10 minutos para que el hielo caiga en el cajón de almacenaje. Quite todo el hielo del recipiente.
- Destornille la tapa de desagüe del fondo de la bandeja del agua ubicada dentro del recipiente de almacenamiento. Espere hasta que se drene el agua por completo. Vuelva a colocar la tapa de desagüe. Consulte la ilustración "Tapa de desagüe".

Tapa de desagüe



- Si la fábrica de hielo está incorporada en gabinetes, jale la fábrica hacia afuera por la abertura.
- Desconecte la línea de suministro de agua. Consulte la ilustración "Línea de suministro de agua".

Línea de suministro de agua

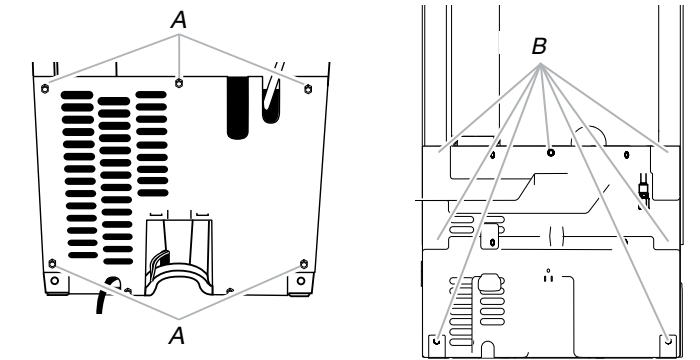


Instalación de bomba de desagüe

NOTA: No doble, apriete o dañe las tuberías o cables durante la instalación.

- Desenchufe la fábrica de hielo o desconecte el suministro de energía.
- Retire el panel posterior. Consulte la ilustración del "Panel posterior" para ver la ubicación de los tornillos. Jale el panel posterior hacia afuera desde el tubo de desagüe. Para el modelo estándar descarte el panel posterior. Para el modelo de panel personalizado, deje el panel posterior a un lado (se lo volverá a utilizar en el paso 17).

Panel posterior

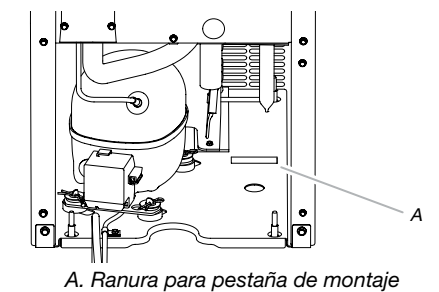


- Retire el tubo de desagüe anterior y la abrazadera conectada al recipiente de la fábrica de hielo.

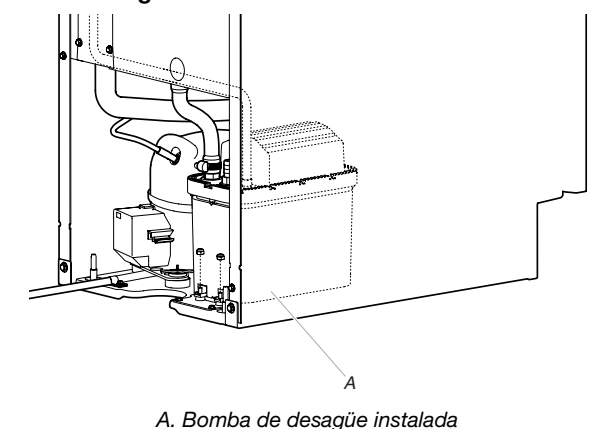
NOTA: Elimine el tubo de desagüe antiguo y la abrazadera.

- Deslice la bomba de desagüe hacia la base de la fábrica en el lado derecho. La pestaña de montaje de bomba debería entrar en la ranura rectangular de la base de la fábrica de hielo. Puede ser necesario empujar la bomba suavemente para que entre en la ranura. Vea la ilustración "Ranura para pestaña de montaje de bomba de desagüe".

Ranura para pestaña de montaje de bomba de desagüe



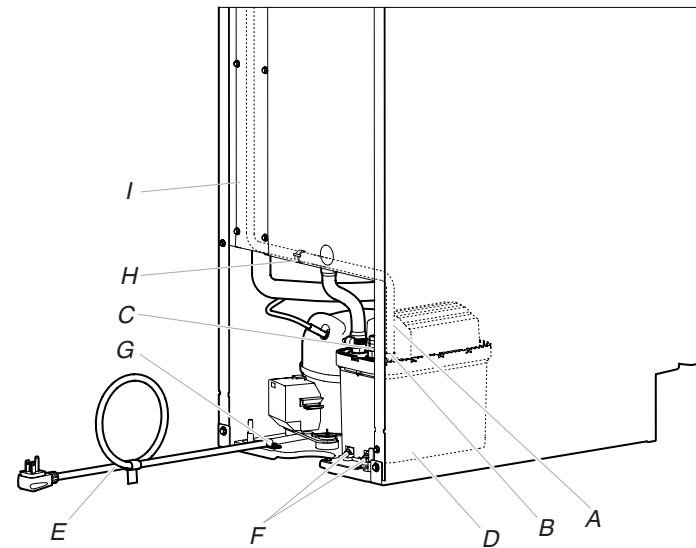
Bomba de desagüe instalada



- Alinee los 2 agujeros para tornillos en la parte trasera de la bomba. Use 2 tornillos #8-32 x 3/8", (suministrados). Vea la ilustración "Ubicación de las piezas".
- Instale el tubo de ventilación (5/16" de diámetro interior x 32" [81 cm]) a la ventilación del recipiente de la bomba de desagüe que está detrás de la cubierta del cableado. Use las abrazaderas ajustables pequeñas de 5/8" suministradas. Vea la ilustración "Ubicación de las piezas". Utilice un retén plástico para mantener la manguera de ventilación pegada a la parte superior de la cubierta interna.

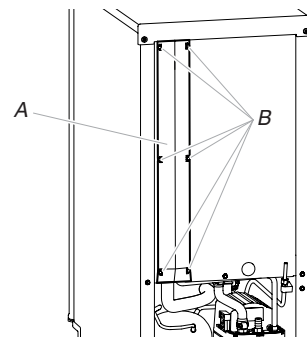
NOTA: No instale el tubo de desagüe del hogar en esta etapa.

Ubicación de las piezas



- | | |
|---|---|
| A. Tubo de ventilación | F. Tornillos de montaje de bomba núm. 8-32 x 3/8" |
| B. Abrazadera de manguera de 5/8" | G. Cable de alimentación, abrazadera y tornillo de bomba de desagüe |
| C. Tubo de descarga de la bomba de desagüe | H. Retén plástico |
| D. Bomba de desagüe | I. Cubierta del cableado |
| E. Cable de alimentación de la unidad de fábrica de hielo | |

- Retire la cubierta del cableado. Vea la ilustración siguiente para la ubicación de los tornillos.

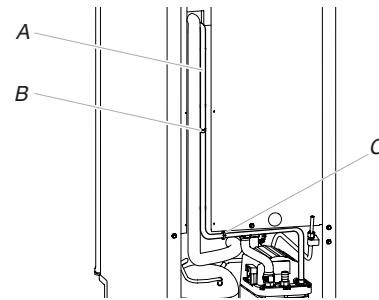


- | |
|---------------------------|
| A. Cubierta del cableado. |
| B. Tornillos |

- Coloque el tubo de ventilación a través del retén plástico que se ubica debajo de la cubierta superior en el área abierta de bomba como se indica en la ilustración. Utilice la brida para cable para sujetar el tubo de ventilación al tubo de aspiración negro ubicado detrás de la cubierta de cableado. Vea la ilustración "Tubo de ventilación".

Tubo de ventilación

NOTA: No pellizque, doble o dañe el tubo de ventilación. Revise que no esté dañado, pellizcado o torcido entre el gabinete y la fábrica de hielo.



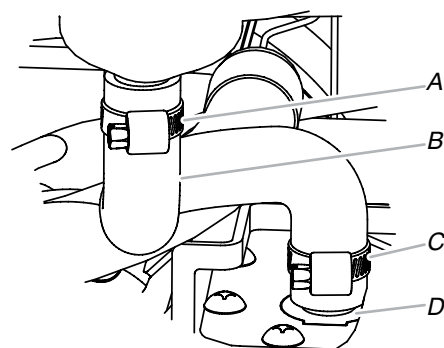
- | |
|------------------------|
| A. Tubo de ventilación |
| B. Brida para cable |
| C. Retén plástico |

- Vuelva a asegurar la cubierta de cableado en su lugar.
 - Retire la abrazadera del cable de alimentación y el tornillo de tierra conectado al cable de alimentación de la fábrica de hielo, que se encuentra montado en la base de la unidad. Vea la ilustración "Ubicación de las piezas".
- NOTA:** La abrazadera y el tornillo se volverán a usar.
- Doble el cable de alimentación de la fábrica de hielo hasta lograr un círculo de 4" (10.2 cm). Use cinta aislante alrededor del cable de alimentación en varios puntos para que se mantenga en serpentín. Ubique el cable entre la bomba de desagüe y el lado de la carcasa y conecte el receptáculo a la bomba de desagüe. Vea la ilustración "Ubicación de las piezas".
 - Conecte el cable de alimentación de la fábrica de hielo a la base de la unidad de la fábrica de hielo con abrazadera y tornillo (retirados en el paso 6) que se usó para conectar el cable de alimentación de la fábrica de hielo. Vea la ilustración "Ubicación de las piezas".
 - Instale el nuevo tubo de desagüe (5/8" de diámetro interior x 5 1/8") desde el recipiente de la fábrica de hielo a la entrada del recipiente de la bomba de desagüe usando abrazaderas ajustables nuevas. Consulte la ilustración "Tubo de desagüe".

NOTAS:

- No torcer.
- Recorte la extensión del tubo si fuese necesario.

Tubo de desagüe



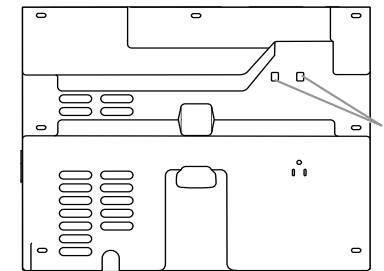
- | | |
|---|--|
| A. Abrazadera de manguera ajustable de 7/8" | C. Abrazadera de manguera ajustable de 7/8" |
| B. Tubo de desagüe (Recipiente de hielo a bomba de desagüe) | D. Entrada de recipiente de bomba de desagüe |

- Conecte el tubo de desagüe de 1/2" de diámetro interno x 10 pies (3 m) al tubo de descarga de la bomba. Vea la ilustración "Ubicación de las piezas".

NOTA: No conecte el extremo de salida del tubo de desagüe a un sistema de tubería cerrada para evitar que el agua de desagüe regrese a la fábrica de hielo.

Para el modelo estándar, continúe con el paso 17.

- Instale la brida para cables en el panel posterior utilizando los dos hoyos proporcionados en el panel posterior.



- | |
|---------------------------------------|
| A. Hoyos para fijar brida para cables |
|---------------------------------------|

- Utilizando una brida para cables, fije el tubo de desagüe al panel posterior.
- Para el modelo estándar, coloque el nuevo panel posterior (el pequeño para fábricas de hielo de 15", el grande para las de 18") sobre la parte posterior de la fábrica de hielo. Para el modelo de panel personalizado, vuelva a utilizar el panel posterior de plástico (que se quitó en el paso 2). Coloque el tubo de ventilación y el tubo de descarga de la bomba a través de las ranuras en el panel posterior.
- Asegure el panel posterior con los tornillos originales. Consulte la ilustración "Panel posterior".
- Revise todas las conexiones en busca de fugas.

Conexión del suministro de agua

Lea todas las instrucciones antes de comenzar.

IMPORTANTE:

- Conecte solamente a agua potable.

No use con agua que no sea microbiológicamente segura o que sea de calidad desconocida sin desinfectarla adecuadamente antes o después del sistema. Pueden usarse sistemas certificados para la reducción de quistes en aguas desinfectadas que puedan contener quistes filtrables.

- La tubería se debe instalar de acuerdo con el Código internacional de plomería y cualquier norma y ordenanza local.
- Use tubería de cobre o una línea de suministro de Whirlpool, Pieza número 8212547RP, y revise si hay fugas.
- Instale la tubería sólo en áreas donde la temperatura va a permanecer por encima del punto de congelación.

Herramientas necesarias:

Reúna las herramientas y las piezas necesarias antes de comenzar la instalación:

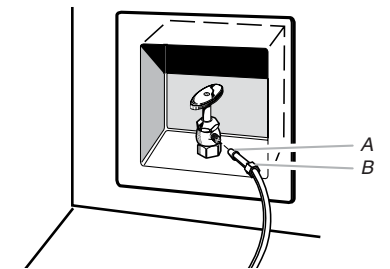
- llaves de extremo abierto de 7/16" y 1/2" o dos llaves ajustables

NOTA: No use una válvula perforadora ni una válvula de montura de 3/16" (4,76 mm) porque reduce el flujo de agua y se obstruye con más facilidad.

Conexión del suministro de agua

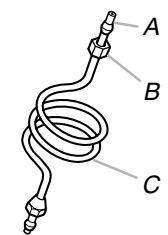
- Cierre el suministro principal de agua. Abra el grifo más cercano el tiempo suficiente para limpiar la línea de agua.
- Usando una línea de suministro de cobre de 1/2" con una válvula de cierre de un cuarto de vuelta o una equivalente, conecte la fábrica de hielo como se muestra.

NOTA: Se recomienda una tubería de suministro doméstico de 1/2" de diámetro mínimo para que la fábrica de hielo tenga un flujo de agua suficiente.



- | |
|-----------|
| A. Bulbo |
| B. Tuerca |

- Ahora está listo para conectar la tubería de cobre. Use una tubería de cobre blando de 1/4" (6,35 mm) de diámetro exterior para el suministro de agua fría.
 - Asegúrese de tener la longitud adecuada necesaria para el trabajo. Asegúrese de que ambos extremos de la tubería de cobre estén cortados a escuadra.
 - Deslice la manga de compresión y la tuerca de compresión sobre la tubería de cobre como se muestra. Inserte el extremo de la tubería en el extremo de salida a escuadra tanto como sea posible. Atornille la tuerca de compresión al extremo de salida con una llave de tuercas ajustable. No apriete demasiado.
 - Para la instalación del panel personalizado, asegúrese de que la línea de agua se extiende 30" más allá del gabinete, para servicios de mantenimiento a futuro



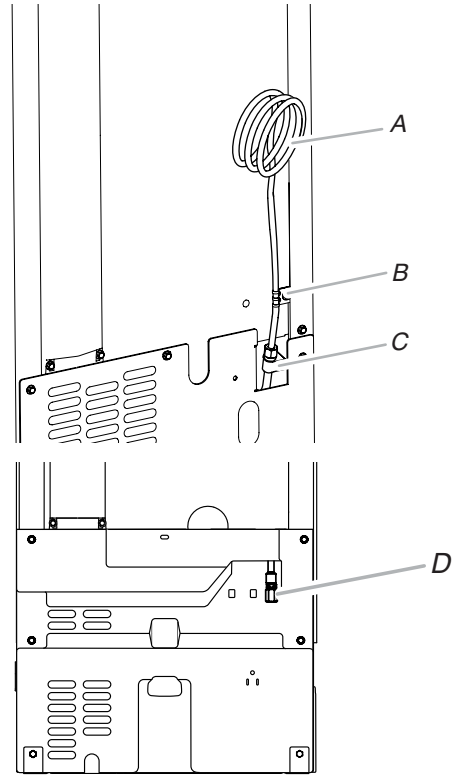
- | | |
|---------------------------|---------------------|
| A. Manguito de compresión | C. Tubería de cobre |
| B. Tuerca de compresión | |

- Coloque el extremo libre de la tubería en un recipiente o un fregadero, abra el suministro principal del agua y deje correr el agua por la tubería hasta que el agua salga limpia. Cierre la válvula de cierre de la tubería de agua.

IMPORTANTE: Siempre desagüe la tubería de agua antes de efectuar la conexión final al orificio de entrada de la válvula de agua para evitar un probable mal funcionamiento de la válvula de agua.

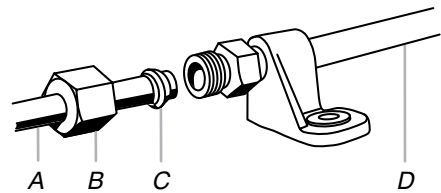
- El tubo de entrada de agua está ubicado en la parte posterior de la fábrica de hielo como se indica en la ilustración "Vista posterior". Tuerza el tubo de cobre para que coincida con la entrada de línea de agua. Deje el serpentín de tubería de cobre como está para permitir sacar la fábrica de hielo del gabinete o separarlo de la pared para el servicio.

Vista posterior



- A. Tubería de cobre
- B. Abrazadera para la tubería del suministro de agua
- C. Abrazadera para el tubo de entrada de agua y conector de la línea de suministro para el modelo estándar
- D. Tubo de entrada de agua para el modelo con panel personalizado

- Quite y deseche el tubo corto de plástico del extremo de la entrada de la línea de agua.
- Enrosque la tuerca en el extremo de la tubería. Apriete la tuerca a mano. Después, apriétela dos vueltas más con una llave. No apriete demasiado.
NOTA: Para evitar vibraciones, asegúrese de que la tubería de cobre no toque la pared lateral del gabinete ni otras partes dentro del gabinete.



- A. Línea hacia la fábrica de hielo
- B. Tuerca de compresión
- C. Manga de compresión
- D. Línea provista de la fábrica de hielo

- Instale la abrazadera para tubos de suministro de agua alrededor de la línea de suministro de agua, para reducir la tensión en el acoplamiento. Para los modelos con panel de puerta personalizado, saltee este paso.
- ABRA la válvula de cierre.
- Revise si hay fugas. Ajuste las conexiones (incluso las conexiones en la válvula) o tuercas que tengan fugas.

Nivelado y asegurado

Es importante que la máquina de hielo esté nivelada para que funcione adecuadamente. Dependiendo del lugar donde instale la fábrica de hielo, puede necesitar hacer varios ajustes para nivelarla. También puede usar las patas niveladoras para reducir la altura de la fábrica de hielo para las instalaciones debajo de mostradores.

Herramientas necesarias

Reúna las herramientas y las piezas necesarias antes de comenzar la instalación.

- Nivel
- Llave ajustable

NOTA: Es más fácil ajustar las patas niveladoras si hay otra persona para ayudarlo.

⚠ ADVERTENCIA

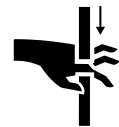
Peligro de Peso Excesivo

Use dos o más personas para mover e instalar la fábrica de hielo.

No seguir esta instrucción puede ocasionar una lesión en la espalda u otro tipo de lesiones.

- Mover la máquina de hielo en frente de su ubicación final. Asegúrese de cubrir el piso con cartón o madera para evitar daños en el mismo.
NOTA: Si ésta es una instalación empotrada, mueva la fábrica de hielo tan cerca de su ubicación final como sea posible.

⚠ ADVERTENCIA



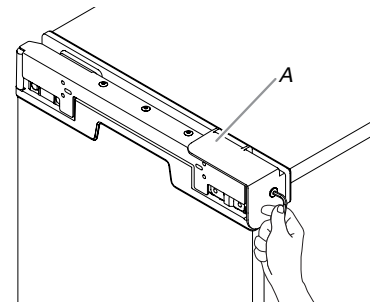
Peligro de aplastamiento

Las bisagras articuladas son de cierre automático y existen muchos puntos de ajuste antes de la instalación en el gabinete.

No retire las cubiertas de las bisagras hasta que el producto esté listo para su instalación.

No seguir estas instrucciones puede ocasionar heridas por aplastamiento, cortes o pellizcos.

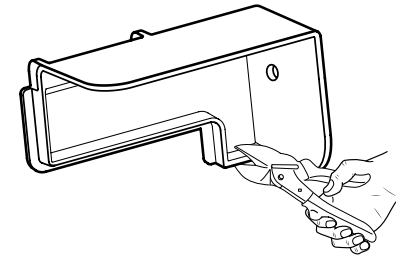
- Quite los tornillos que adhieren las cubiertas superiores e inferiores de las bisagras utilizando un destornillador hexagonal de 3/16".



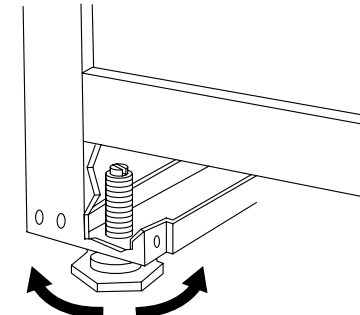
A. Cubierta de la bisagra

- Utilizando un alicate, quitar las cubiertas de la bisagra desde las bisagras superiores a las inferiores.

NOTA: Guardar las cubiertas de la bisagra para uso futuro. Vuelva a instalar las cubiertas de las bisagras si se va a quitar el producto de la instalación en el gabinete.



- Para la instalación del panel personalizado, instale el panel de la puerta según las instrucciones de la sección "Panel de madera personalizado".
- Utilizar las patas niveladoras de la fábrica de hielo para alinear las puertas de la fábrica de hielo a la apertura del gabinete adyacente.



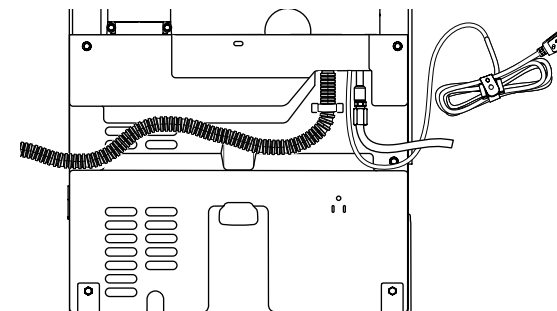
⚠ ADVERTENCIA

Peligro de Peso Excesivo

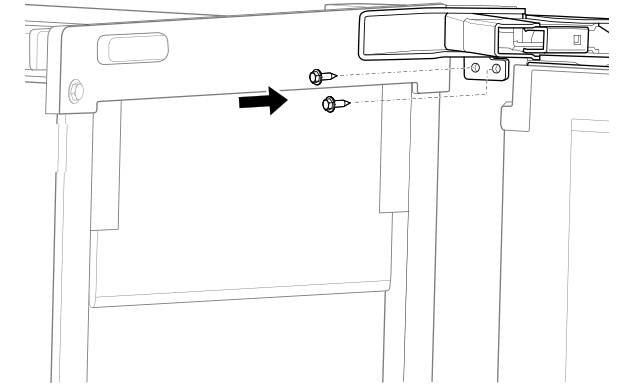
Use dos o más personas para mover e instalar la fábrica de hielo.

No seguir esta instrucción puede ocasionar una lesión en la espalda u otro tipo de lesiones.

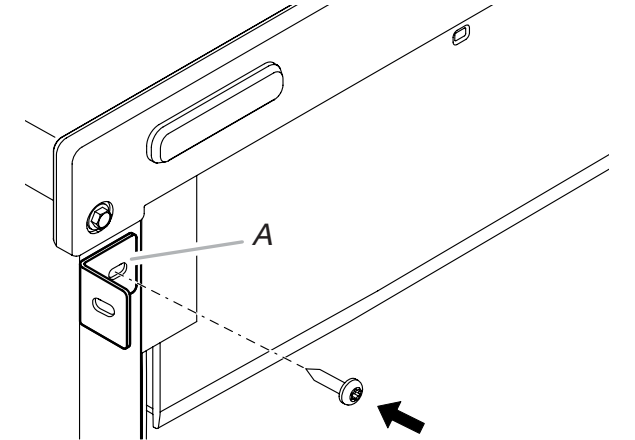
- Deslizar la máquina de hielo en el gabinete mientras se organizan las posiciones de conexión del servicio detrás de la máquina de hielo. Asegúrese de cubrir el piso con cartón o madera para evitar daños en el mismo.
IMPORTANTE: Para la instalación de la descarga del modelo con panel personalizado, las conexiones del servicio de la fábrica de hielo se deben encaminar a través de la ranura del panel trasero de la fábrica de hielo. Cada vez que se retire la fábrica de hielo para hacerle mantenimiento, siga el mismo procedimiento cuando coloque la unidad nuevamente en los gabinetes.



- Asegurarse de que la máquina de hielo se encuentra a la profundidad deseada. Fije las bisagras superiores e inferiores en el costado del gabinete utilizando tornillos para madera.



- Fije los soportes del gabinete (incluidos con la máquina de hielo) a los hoyos en el frente de la máquina de hielo como se muestra en la ilustración. Fije los soportes del gabinete al costado del gabinete utilizando tornillos para madera.
NOTA: Para la instalación del panel de madera personalizado, continuar la instalación desde el paso 7 de la sección "Instalación del panel de madera personalizado."



A. Soporte de gabinete

Panel de madera personalizado

Dimensiones del panel personalizado

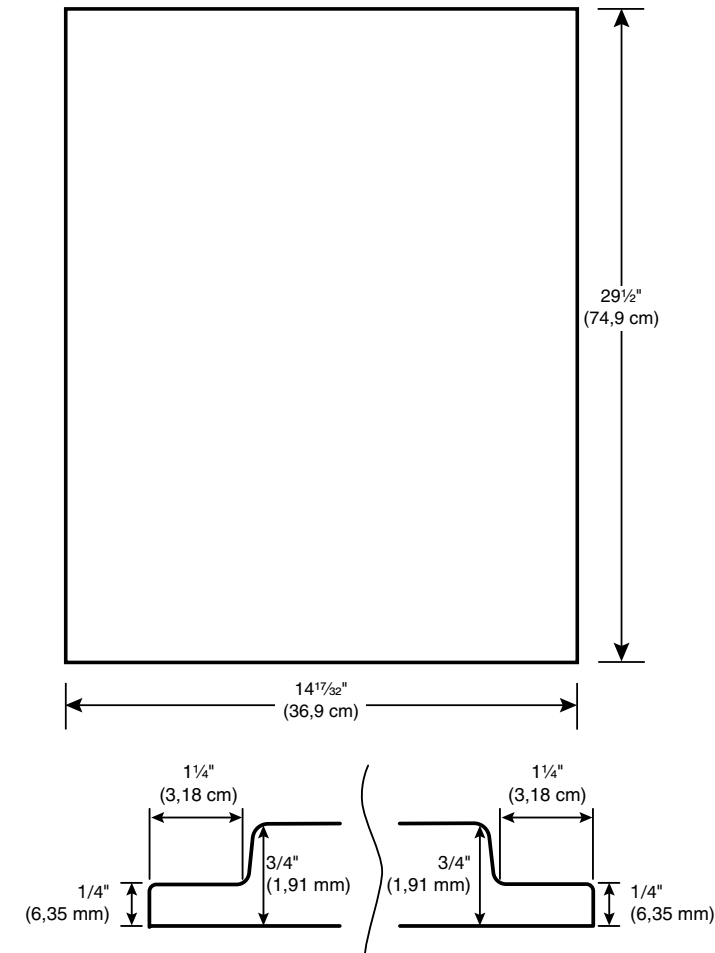
Si planea instalar un panel de cubierta personalizado, deberá hacerlo usted mismo o consultar a un carpintero o fabricante de gabinetes calificado

IMPORTANTE:

- El grosor del panel de cubierta debe ser de 3/4" (1,91 cm).
- El panel de cubierta no debe pesar más de 8 lb (3,62 kg).
- Los paneles recubiertos que pesan más de lo recomendado pueden dañar la máquina de hielo.
- Haga coincidir la veta de la madera con la de los gabinetes adyacentes.
- Lije los bordes de los paneles para obtener un acabado liso.
- Use un sellador resistente a la humedad en ambos lados y en todos los bordes del panel para evitar daños causados por factores externos.

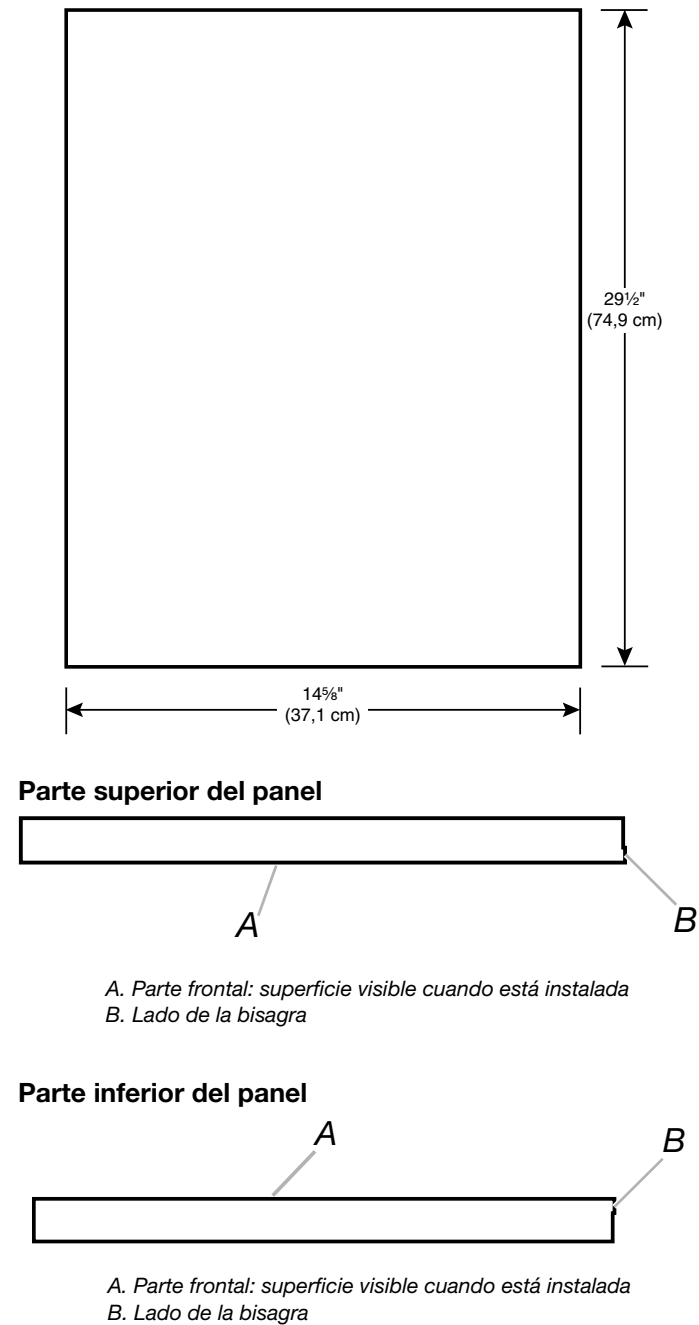
Opción 1 – Sin el espaciador del lado de la bisagra

Para permitir que haya suficiente espacio para la puerta, prepare el panel de cubierta personalizado utilizando las dimensiones que se muestran.



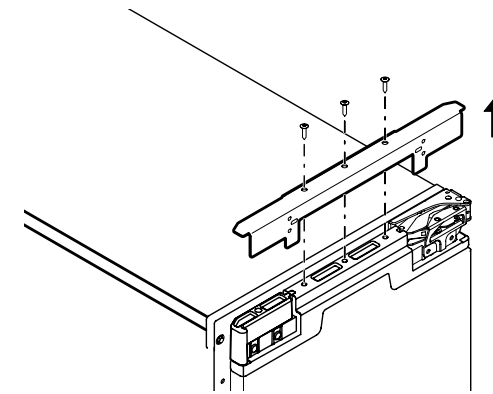
Opción 2 – Con el espaciador del lado de la bisagra

Para lograr una instalación alineada con los gabinetes adyacentes, prepare el panel de cubierta personalizado utilizando las dimensiones que se muestran.

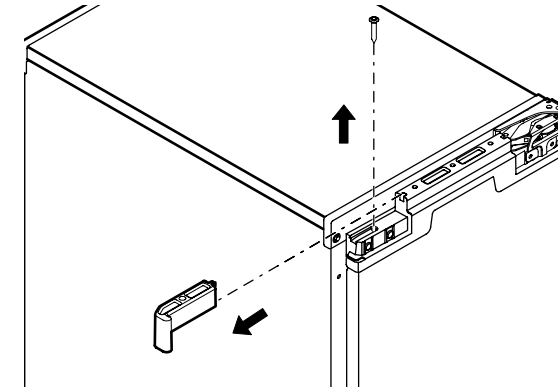


Instalación del panel personalizado

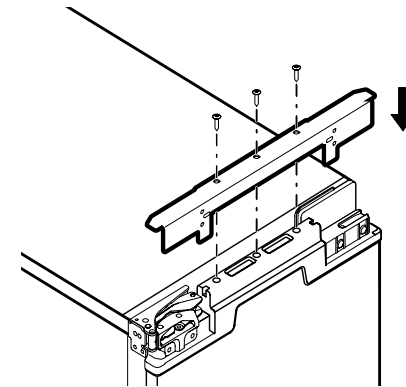
1. Quitar los tornillos y el soporte superior de metal utilizando un destornillador Phillips. Quitarlos y colocarlos a un lado. Saltar este paso e ir al paso 4 si se completó el cambio del sentido de apertura de la puerta.



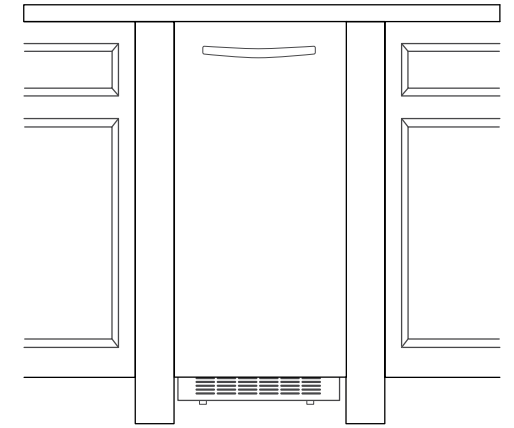
2. Quitar las tapas de extremo superiores e inferiores utilizando un destornillador Phillips y dejarlas a un lado.



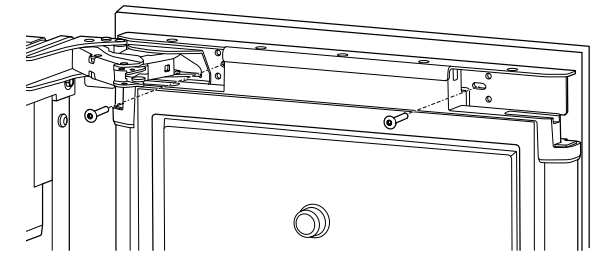
3. Volver a instalar el soporte de metal superior utilizando los tornillos quitados en el paso 1.



4. Presione suavemente el panel personalizado contra la puerta utilizando cinta adhesiva de doble contacto. Ajustar la altura del panel para alinear con el armario adyacente. Presione el panel con firmeza contra la puerta.

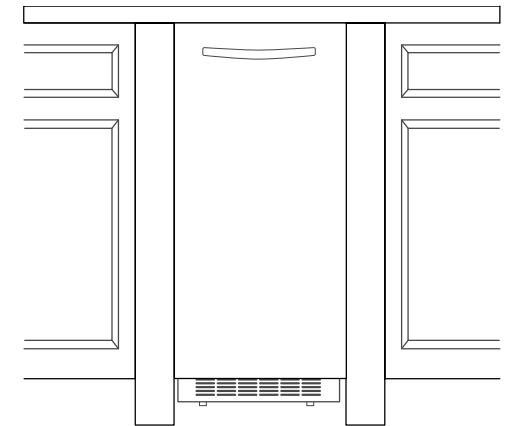


5. Desde la parte interior de la puerta, instale los tornillos para madera en los agujeros que están en la puerta. Continuar con la sección "Nivelado y asegurado" en el paso 5.

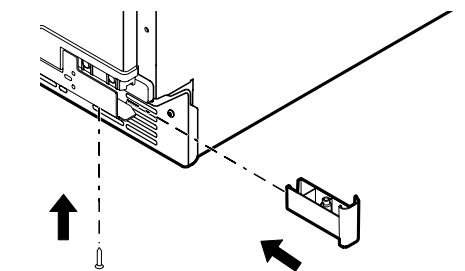


6. Ajuste el panel lado a lado para conseguir el espacio deseado en ambos lados. Instale los tornillos restantes en el panel pasando a través del soporte de la puerta.

NOTA: Asegurarse de que el panel se encuentre alineado con el gabinete adyacente antes de instalar los tornillos restantes para asegurar el panel de la puerta.



7. Reemplazar las tapas de los extremos superiores e inferiores de la puerta. Fijar la tapa del extremo inferior utilizando los tornillos a través de los hoyos del soporte de metal inferiores.



Conexión del desagüe

Luego de asegurarse de que el sistema de desagüe es el adecuado, siga estos pasos para colocar la fábrica de hielo en un lugar apropiado:

⚠️ ADVERTENCIA

Peligro de Peso Excesivo

Use dos o más personas para mover e instalar la fábrica de hielo.

No seguir esta instrucción puede ocasionar una lesión en la espalda u otro tipo de lesiones.

1. **Estilo 1:** para el sistema de desagüe por gravedad, asegurarse de que el tubo de desagüe de la fábrica de hielo quede ubicado encima del reductor de desagüe de PVC. Consultar la sección "Sistema de desagüe por gravedad".

Estilo 2: para el sistema de bomba de desagüe, conectar la manguera de salida de la bomba al desagüe. Consultar la sección "Requisitos de suministro de desagüe".

NOTA: No conecte el extremo del tubo de desagüe a un sistema de tubería cerrada para evitar que el agua de desagüe regrese a la fábrica de hielo.

⚠️ ADVERTENCIA



Peligro de Choque Eléctrico

Conecte a un contacto de pared de conexión a tierra de 3 terminales.

No quite la terminal de conexión a tierra.

No use un adaptador.

No use un cable eléctrico de extensión.

No seguir estas instrucciones puede ocasionar la muerte, incendio o choque eléctrico.

2. Enchufe la máquina de hielo o reconecte el suministro de energía.
3. Encienda la máquina de hielo. Espere el ciclo de enjuague, aproximadamente 5 minutos, para asegurar que la fábrica de hielo esté funcionando adecuadamente.
4. Si el código de higiene local lo requiere, selle el gabinete al piso con un compuesto de enmasillado aprobado después de haber efectuado todas las conexiones eléctricas y de agua.

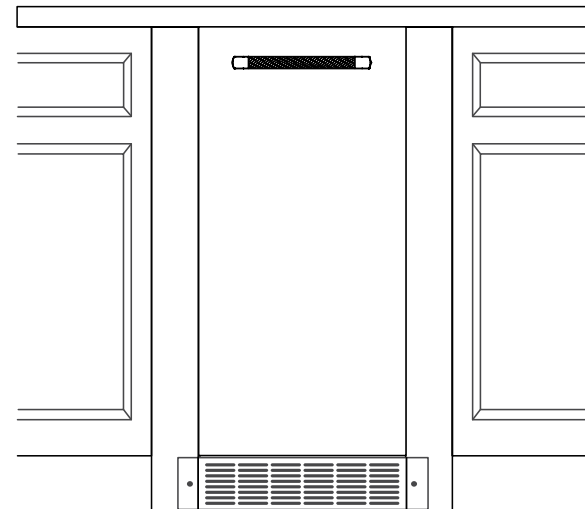
Instalación de la rejilla auxiliar

La rejilla auxiliar es una pieza opcional que puede utilizarse para alinear la rejilla de pie con el resto de los gabinetes (y al mismo tiempo no obstruir la ventilación de la fábrica de hielo).

Herramientas necesarias:

- Destornillador Torx T20
- Broca de taladro recta de 1/8" y taladro eléctrico

1. Primero, complete todos los pasos de la instalación e instale la fábrica de hielo sobre una superficie nivelada dentro del gabinete. Asegúrese de que la fábrica de hielo esté al ras con los gabinetes adyacentes.
2. Desembale el juego retirando el embalaje de protección exterior y deseche el material de embalaje.
3. Retire los tornillos que están pegados con cinta en el interior de la rejilla auxiliar.
4. Coloque la rejilla en el gabinete. Alinee la pieza para que el patrón de la rejilla auxiliar coincida con el de la rejilla de pie de la fábrica de hielo.
5. Centre la rejilla auxiliar en el espacio de corte para la fábrica de hielo. Marque las ubicaciones de los agujeros a ambos lados de la rejilla auxiliar en el gabinete.



6. Con el taladro eléctrico y una broca de 1/8" haga los agujeros en el gabinete. Esto se hace para que entren tornillos de tamaño 8-18 x 0.750.
7. Con el destornillador Torx T20 y atornille la rejilla auxiliar en el gabinete.

NOTA: Para hacer un mantenimiento a futuro de la fábrica de hielo, el juego auxiliar debe retirarse antes de sacar la fábrica de hielo de los gabinetes.

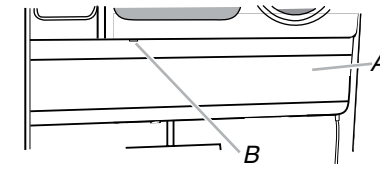
Limpieza intensa

Piezas interiores

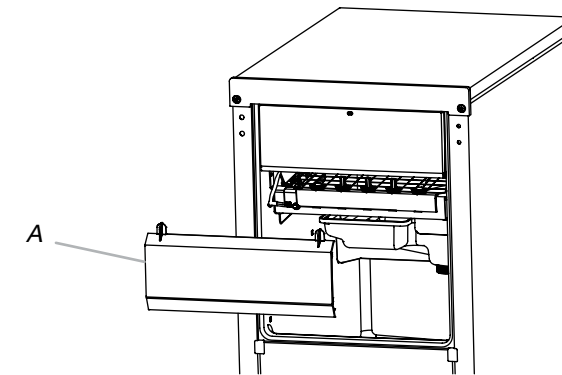
1. Desenchufe la fábrica de hielo o desconecte el suministro de energía.
2. Abra la puerta del cajón de almacenaje y quite el hielo que está en el cajón.
3. Retire la tapa de desagüe de la bandeja del agua y vacíela por completo. Vuelva a colocar la tapa de desagüe en la bandeja, enroscándola firmemente. Si la tapa de desagüe está floja, el agua se vaciará de la bandeja de agua y usted tendrá hielo delgado o no tendrá hielo.
4. Jale la parte inferior de la cubierta de la rejilla de corte hasta que el seguro se libere para retirar.

NOTA: En algunos modelos, retire el tornillo de la cubierta de la rejilla de corte.

5. Desenchufe el arnés eléctrico del lado izquierdo de la rejilla de corte.



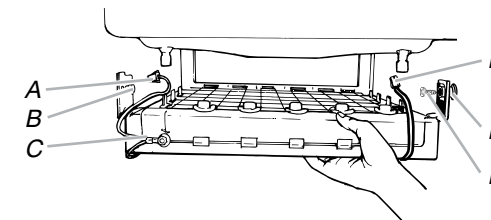
A. Cubierta de la rejilla de corte
B. Tornillo (en algunos modelos)



A. Cubierta de la rejilla de corte

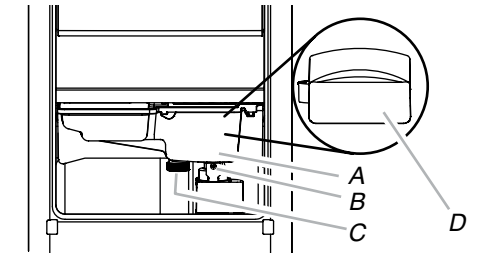
6. Desenchufe el sensor de nivel del hielo del lado derecho de la rejilla de corte. Jale el sensor de nivel del hielo hacia abajo y hacia adelante para separarlo de la rejilla de corte.
7. Retire los tornillos del lado derecho e izquierdo. Levante y saque la rejilla de corte.

NOTA: Asegúrese de que el separador plástico que se encuentra en el lado derecho del soporte de la rejilla de corte permanezca con la rejilla de corte.



A. Arnés de la rejilla de corte
B. Tornillo
C. Rejilla de corte
D. Arnés del sensor de nivel del hielo
E. Espaciador de plástico
F. Tornillo

8. Quite los dos tornillos que sostienen la bandeja del agua en su lugar. Jale de la parte delantera de la bandeja de agua.
9. Desconecte el soporte de la bomba de la bandeja de agua y desconecte la bomba de desagüe de la bandeja de agua.



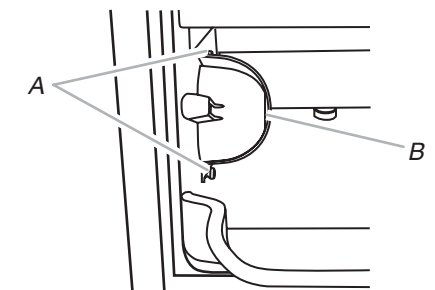
A. Bandeja de agua
B. Tornillo bandeja de agua
C. Tapón de desagüe
D. Cubierta de bomba de desagüe

10. Quite, limpie y vuelva a colocar la palita para hielo y su soporte.

NOTA: En algunos modelos, el soporte de la palita para hielo está en la parte superior izquierda de la unidad, mientras que en otros modelos está en la parte inferior izquierda.

En algunos modelos

- Quite los 2 tornillos para quitar el soporte.
- Lave la palita para hielo y su soporte junto con las otras piezas interiores, siguiendo las instrucciones a continuación.
- Vuelva a colocar los tornillos para instalar nuevamente el soporte de la palita para hielo.

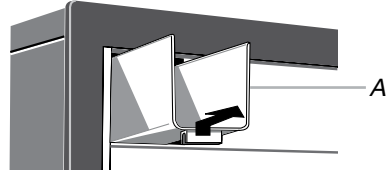


A. Tornillo
B. Soporte de la palita para hielo

En algunos modelos

- Después de quitar la palita para hielo, retire el soporte removiendo los 2 tornillos.
- NOTA:** En algunos modelos, quite el soporte levantándolo y después tirando hacia fuera.

- Lave el soporte de la palita para hielo junto con las otras piezas interiores, siguiendo las instrucciones a continuación.
- Vuelva a colocar el soporte de la palita para hielo quitando los tornillos o, en algunos modelos, empujando el soporte al interior y después hacia abajo.



A. Soporte de la palita para hielo

11. Lave con jabón o detergente suave y agua tibia las piezas interiores (la rejilla de corte, el exterior de las mangueras y la bandeja del agua), y el depósito de hielo, la junta de la puerta, la palita para hielo y su soporte. Enjuague en agua limpia. Luego limpie las mismas piezas en una solución de una cucharada (15 mL) de blanqueador doméstico mezclado con 1 galón (3.8 L) de agua tibia. Nuevamente enjuáguelas a fondo en agua limpia.

NOTA: No quite las mangueras. No lave las piezas de plástico en la lavavajillas. Éstas no pueden soportar temperaturas superiores a los 145°F (63°C).

12. Para volver a colocar la bandeja de agua, colóquela dentro del depósito de hielo. Conecte la bomba de la bandeja de agua. Encaje a presión la abrazadera de la bomba nuevamente en la bandeja de agua y colóquela nuevamente en su posición. Asegure la bandeja del agua volviendo a colocar el tornillo de montaje.

13. Verifique lo siguiente:

- Que la tapa de desagüe de la bandeja del agua esté firme en su lugar. Si la tapa de desagüe está floja, el agua se vaciará de la bandeja de agua y usted tendrá hielo delgado o no tendrá hielo.
- Que la manguera de la bandeja de agua esté conectada a la abertura del desagüe del cajón de almacenaje.

14. Deslice hacia atrás la rejilla de corte hasta colocarla en su lugar, y asegúrela volviendo a colocar el tornillo del lado derecho y el separador de plástico. Luego ajuste el tornillo del lado izquierdo. Vuelva a conectar los arneses de la rejilla de corte y del sensor de nivel del hielo.

15. Vuelva a colocar la cubierta de la rejilla de corte.

NOTA: En algunos modelos, vuelva a colocar la cubierta de la rejilla de corte usando el tornillo quitado anteriormente.

16. Limpie el panel de control con cuidado, usando un paño para vajilla con agua tibia y un detergente suave para vajilla.

17. Enchufe la fábrica de hielo o reconecte el suministro de energía.

18. Después de limpiarlo, asegúrese de que todos los controles se hayan programado correctamente y que ningún indicador de control esté destellando.

Limpieza rápida

Necesitará una botella de 16 onzas (473 ml) de limpiador aprobado para fábricas de hielo. Recomendamos utilizar el limpiador para fábricas de hielo * affresh® número de pieza 4396808.

