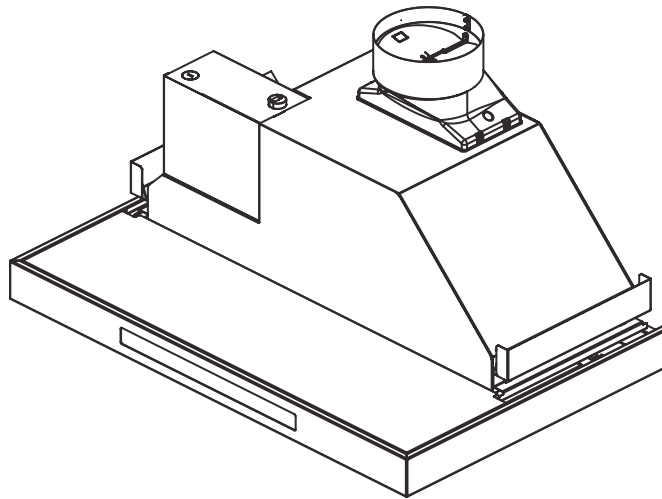

30" AND 36" (76.2 AND 91.4 CM) RANGE HOOD

Installation Instructions and Use & Care Guide

HOTTE D'ASPIRATION DE 30" ET 36" (76,2 ET 91,4 CM)

Instructions d'installation et Guide d'utilisation et d'entretien

Table of Contents/Table des matières.....2



**IMPORTANT: READ AND SAVE THESE INSTRUCTIONS.
FOR RESIDENTIAL USE ONLY.**

**IMPORTANT : LIRE ET CONSERVER CES INSTRUCTIONS.
POUR UTILISATION RÉSIDENIELLE UNIQUEMENT.**

TABLE OF CONTENTS

RANGE HOOD SAFETY	2
INSTALLATION REQUIREMENTS.....	4
Tools and Parts.....	4
Location Requirements.....	4
Venting Requirements.....	5
Electrical Requirements.....	7
INSTALLATION INSTRUCTIONS.....	8
Prepare Location.....	8
Complete Preparation.....	10
Install Range Hood.....	12
Connect the Vent System.....	13
Complete Installation.....	13
RANGE HOOD USE.....	14
Range Hood Controls.....	14
RANGE HOOD CARE.....	15
Cleaning.....	15
WIRING DIAGRAM.....	16
ASSISTANCE OR SERVICE.....	17
In the U.S.A.....	17
In Canada.....	17
Accessories.....	17
WARRANTY.....	18

TABLE DES MATIÈRES

SÉCURITÉ DE LA HOTTE DE CUISINIÈRE	19
EXIGENCES D'INSTALLATION	21
Outils et pièces.....	21
Exigences d'emplacement.....	21
Exigences concernant l'évacuation.....	22
Spécifications électriques.....	24
INSTRUCTIONS D'INSTALLATION.....	25
Préparation de l'emplacement.....	25
Préparation terminée.....	27
Installation de la hotte.....	29
Raccordement du conduit d'évacuation.....	30
Fin de l'installation.....	30
UTILISATION DE LA HOTTE	31
Commandes de la hotte.....	31
ENTRETIEN DE LA HOTTE	32
Nettoyage.....	32
SCHÉMA DE CÂBLAGE.....	33
ASSISTANCE OU SERVICE.....	34
Aux É.-U.....	34
Au Canada.....	34
Accessoires.....	34
GARANTIE LIMITÉE DES GROS APPAREILS MÉNAGERS WHIRLPOOL®	35

RANGE HOOD SAFETY

Your safety and the safety of others are very important.

We have provided many important safety messages in this manual and on your appliance. Always read and obey all safety messages.



This is the safety alert symbol.

This symbol alerts you to potential hazards that can kill or hurt you and others.

All safety messages will follow the safety alert symbol and either the word "DANGER" or "WARNING."

These words mean:

⚠ DANGER

You can be killed or seriously injured if you don't immediately follow instructions.

⚠ WARNING

You can be killed or seriously injured if you don't follow instructions.

All safety messages will tell you what the potential hazard is, tell you how to reduce the chance of injury, and tell you what can happen if the instructions are not followed.

State of California Proposition 65 Warnings:

WARNING: This product contains one or more chemicals known to the State of California to cause cancer.

WARNING: This product contains one or more chemicals known to the State of California to cause birth defects or other reproductive harm.

IMPORTANT SAFETY INSTRUCTIONS

WARNING: TO REDUCE THE RISK OF FIRE, ELECTRIC SHOCK, OR INJURY TO PERSONS, OBSERVE THE FOLLOWING:

- Use this unit only in the manner intended by the manufacturer. If you have questions, contact the manufacturer.
- Before servicing or cleaning the unit, switch power off at service panel and lock the service disconnecting means to prevent power from being switched on accidentally. When the service disconnecting means cannot be locked, securely fasten a prominent warning device, such as a tag, to the service panel.
- Installation work and electrical wiring must be done by qualified person(s) in accordance with all applicable codes and standards, including fire-rated construction.
- Do not operate any fan with a damaged cord or plug. Discard fan or return to an authorized service facility for examination and/or repair.
- Sufficient air is needed for proper combustion and exhausting of gases through the flue (chimney) of fuel burning equipment to prevent backdrafting. Follow the heating equipment manufacturer's guideline and safety standards such as those published by the National Fire Protection Association (NFPA), the American Society for Heating, Refrigeration and Air Conditioning Engineers (ASHRAE), and the local code authorities.
- When cutting or drilling into wall or ceiling; do not damage electrical wiring and other utilities.
- Ducted fans must always be vented outdoors.

CAUTION: For general ventilating use only. Do not use to exhaust hazardous or explosive materials and vapors.

CAUTION: To reduce risk of fire and to properly exhaust air, be sure to duct air outside - do not vent exhaust air into spaces within walls or ceilings, attics or into crawl spaces, or garages.

WARNING: TO REDUCE THE RISK OF FIRE, USE ONLY METAL DUCTWORK.

WARNING: TO REDUCE THE RISK OF A RANGE TOP GREASE FIRE:

- Never leave surface units unattended at high settings. Boilovers cause smoking and greasy spillovers that may ignite. Heat oils slowly on low or medium settings.
- Always turn hood ON when cooking at high heat or when flambeing food (i.e. Crepes Suzette, Cherries Jubilee, Peppercorn Beef Flambe).
- Clean ventilating fans frequently. Grease should not be allowed to accumulate on fan or filter.
- Use proper pan size. Always use cookware appropriate for the size of the surface element.

WARNING: TO REDUCE THE RISK OF INJURY TO PERSONS IN THE EVENT OF A RANGE TOP GREASE FIRE, OBSERVE THE FOLLOWING:^a

- SMOTHER FLAMES with a close fitting lid, cookie sheet, or metal tray, then turn off the burner. BE CAREFUL TO PREVENT BURNS. If the flames do not go out immediately, EVACUATE AND CALL THE FIRE DEPARTMENT.
- NEVER PICK UP A FLAMING PAN - you may be burned.
- DO NOT USE WATER, including wet dishcloths or towels - a violent steam explosion will result.
- Use an extinguisher ONLY if:
 - You know you have a class ABC extinguisher, and you already know how to operate it.
 - The fire is small and contained in the area where it started.
 - The fire department is being called.
 - You can fight the fire with your back to an exit.

^aBased on "Kitchen Fire Safety Tips" published by NFPA.

- **WARNING:** To reduce the risk of fire or electrical shock, do not use this fan with any solid-state speed control device.

READ AND SAVE THESE INSTRUCTIONS

INSTALLATION REQUIREMENTS

Tools and Parts

Gather the required tools and parts before starting installation. Read and follow the instructions provided with any tools listed here.

Tools needed

- Level
- Drill with 1¹/₄" (3.2 cm), 1/8" (3 mm), and 1/16" (1.6 mm) drill bits
- Pencil
- Wire stripper or utility knife
- Pliers
- Tape measure or ruler
- Caulking gun and weatherproof caulking compound
- Phillips screwdriver
- Flat-blade screwdriver
- Vent clamps
- Jigsaw or keyhole saw
- Metal snips

Parts needed

- 6" (15.2 cm) round metal vent system
- Vent clamps/duct tape as required

For non-vented (recirculating) installations, you will need:

- Recirculation Kit. See the "Assistance or Service" section to order.

For vented installations, you will need:

- 1 wall or roof cap

Parts supplied

Remove parts from packages. Check that all parts are included.

- Hood assembly with LED lights already installed (1)
- Hood insert assembly with blower/electronic box
- 4.5 x 13 mm truss-head wood screws (11)
- 4.2 x 8 mm screws (8)
- 4 x 15 mm screws (10)
- 3.5 x 9.5 T10 (2)
- Mounting brackets (4)
- TORX[†] adapter screws T10[®] and T20[®] adapter (1)
- 6.4 x 18 mm washers (8)
- 4.2 x 12 mm plastic washers (8)
- 6" (15.2 cm) round damper (1)

Parts not supplied

Optional Accessories

For non-vented (Recirculating) installations:

1. Please see the "Assistance or Service" Section for the recirculation kit part number information.

Location Requirements

IMPORTANT: Observe all governing codes and ordinances.

Have a qualified technician install the range hood. It is the installer's responsibility to comply with installation clearances specified on the model/serial rating plate. The model/serial rating plate is located inside the liner behind the filter on the left wall of the range hood.

Range hood location should be away from strong draft areas, such as windows, doors, and strong heating vents.

Cabinet opening dimensions that are shown must be used. Given dimensions provide minimum clearance. Consult your cooktop/range manufacturer installation instructions before making any cutouts.

This range hood is recommended for use with cooktops with a maximum total rating of 65,000 Btus or less.

Grounded electrical outlet is required. See the "Electrical Requirements" section.

The range hood is factory set for vented installations through the roof or wall. For non-vented (recirculating) installations see "Non-Vented (recirculating) Installation Through the Soffit/Cabinet" in the "Prepare Location" section. Recirculation Kit is available from your dealer or an authorized parts distributor. See the "Assistance or Service" section to order.

All openings in ceiling and wall where range hood will be installed must be sealed.

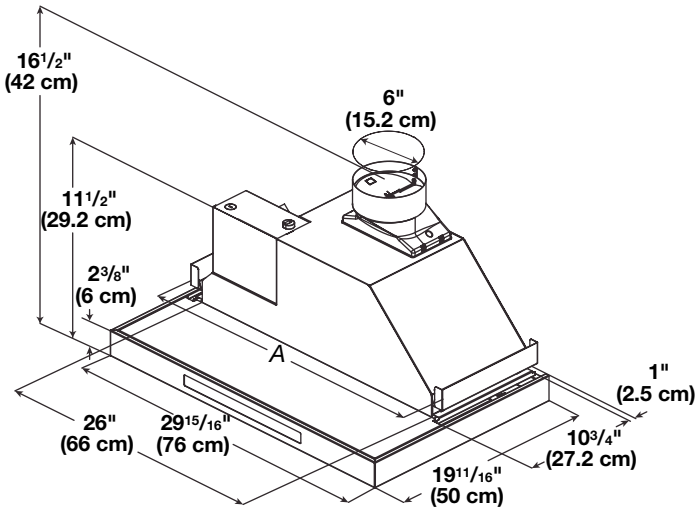
For Mobile Home Installations

The installation of this range hood must conform to the Manufactured Home Construction Safety Standards, Title 24 CFR, Part 328 (formerly the Federal Standard for Mobile Home Construction and Safety, title 24, HUD, Part 280) or when such standard is not applicable, the standard for Manufactured Home Installation 1982 (Manufactured Home Sites, Communities and Setups) ANSI A225.1/NFPA 501A, or latest edition, or with local codes.

[†]TORX[®], T10[®], and T20[®] are trademarks of Acument Intellectual Properties, Inc.

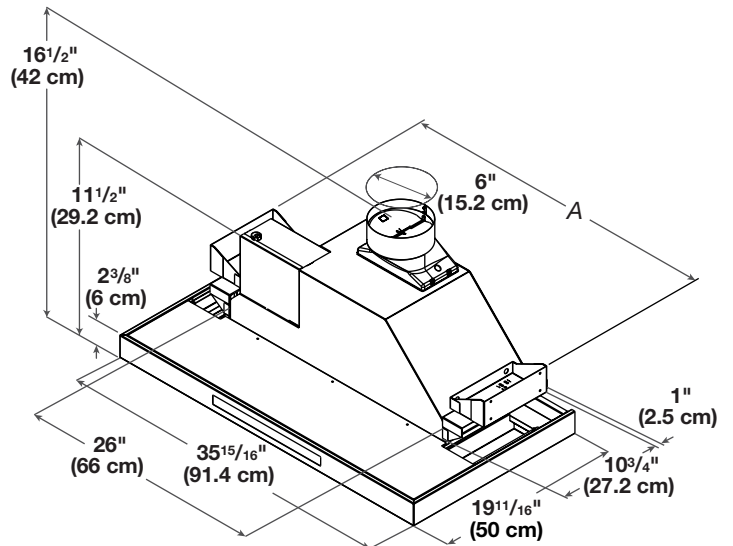
Product Dimensions

30" Model



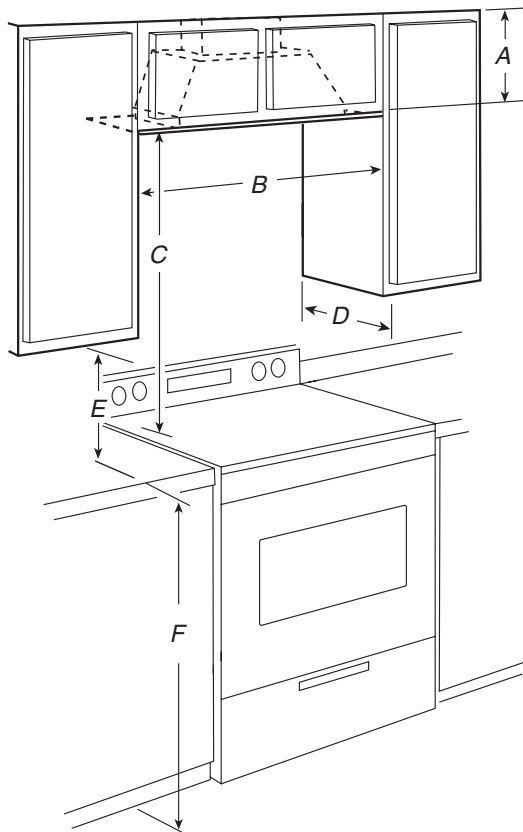
A. 30" Cabinet inner dimensions
MIN: 27¹⁵/₃₂" (69.75 cm)
MAX: 28³/₆₄" (71.65 cm)

36" Model



A. 36" Cabinet inner dimensions
MIN: 33¹⁵/₃₂" (86.2 cm)
MAX: 34¹/₁₆" (88.1 cm)

Cabinet Dimensions



A. 12" (30.5 cm) min. upper cabinet height

B. 30" cabinet width:
min. 27.4" max 28.5"
36" cabinet width:
min. 33.9" max 34.5"

C. 24" (61.0 cm) min. from electric cooking surface, 27" (68.6 cm) min. from gas cooking surface, 36" (91.4 cm) suggested max. bottom of cabinet to cooking surface

D. 12" (30.5 cm) cabinet depth

E. 15" (38.1 cm) min. clearance upper cabinet to countertop

F. 36" (91.4 cm) base cabinet height

IMPORTANT: Mount this hood so that the bottom edge above the cooking surface is at 27" (68.5 cm) minimum if a gas range is used, or at 24" (61 cm) if an electric range is used. The suggested maximum distance is 36" (91.4 cm). For household use, please read the installation manual for specific application. Check your cabinet dimensions prior to selecting your vent hood.

Venting Requirements (vented models only)

- Vent system must terminate to the outside, except for nonvented (recirculating) installations.
- Do not terminate the vent system in an attic or other enclosed area.
- Do not use a 4" (10.2 cm) laundry-type wall cap.
- Use metal vent only. A rigid metal vent is recommended.
- Plastic or metal foil vent is not recommended.
- The length of the vent system and number of elbows should be kept to a minimum to provide efficient performance.

For the most efficient and quiet operation:

- Use no more than three 90° elbows.
- Make sure there is a minimum of 24" (61.0 cm) of straight vent between the elbows if more than one elbow is used.
- Do not install two elbows together.
- The vent system must have a damper.
- Use clamps to seal all joints in the vent system.
- Use caulking to seal exterior wall or roof opening around the cap.
- The size of the vent should be uniform.

Cold weather installations

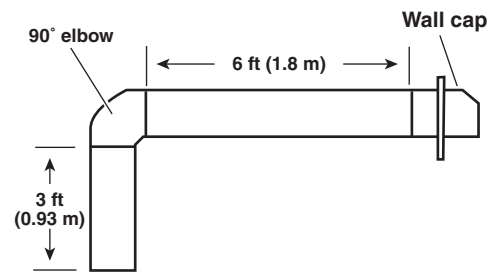
An additional backdraft damper should be installed to minimize backward cold air flow and a thermal break should be installed to minimize conduction of outside temperatures as part of the vent system. The damper should be on the cold air side of the thermal break.

The break should be as close as possible to where the vent system enters the heated portion of the house.

Makeup air

Local building codes may require the use of makeup air systems when using ventilation systems with greater than specified CFM of air movement. The specified CFM varies from locale to locale. Consult your HVAC professional for specific requirements in your area.

Example vent system: 6" (15.2 cm)



Maximum Length = 35 ft (10.7 m)

1 - 90° elbow = 5 ft (1.5 m)

1 - wall cap = 0 ft (0 m)

9 ft (2.8 m) straight = 9 ft (2.8 m)

System length = 14 ft (4.3 m)

Non-Vented (recirculating) Installations Through the Soffit/Cabinet

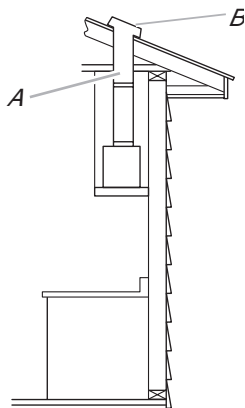
If it is not possible to vent cooking fumes and vapors to the outside, the range hood can be used in the non-vented (recirculating) version, using a charcoal filter. Charcoal Filter Kit is available from the dealer or an authorized parts distributor. See the "Assistance or Service" section to order.

Venting Methods

This range hood is factory set for venting through the roof or through the wall.

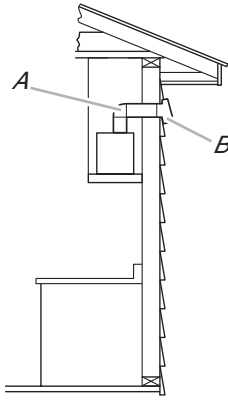
The vent system needed for installation is not included. A 6" (15.2 cm) round vent system is recommended.

Roof Venting



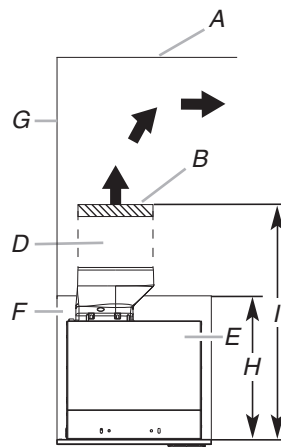
A. 6" (15.2 cm) vent through the roof
B. Roof cap

Wall Venting



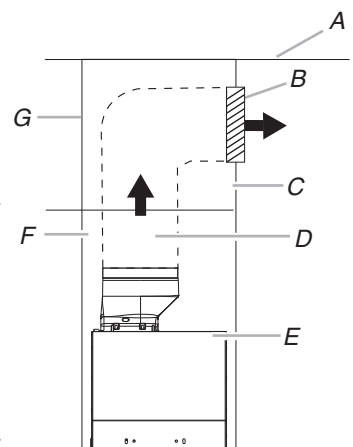
A. 6" (15.2 cm) vent through the wall
B. Wall cap

Through Cabinet



A. Ceiling
B. Vent cover
C. Soffit
D. 6" (15.2 cm) vent
E. Range hood

Through Soffit



F. Cabinet
G. Wall
H. 12" (30.5 cm) min. cabinet height
I. 17" (43.2 cm) min. vent cover height

NOTE: 12" (30.5 cm) high cabinets without a soffit may allow the 6" (15.2 cm) vent and vent cover to be seen.

Calculate Vent System Length

The recommended vent system is 6" (15.2 cm) round vent with a maximum length of 35 ft (10.7 m). For the best performance, use no more than three 90° elbows.

To calculate the length of the system, add the equivalent feet (meters) for each of the vent pieces used in the system.

Vent Piece	6" (15.2 cm)	
45° elbow	2.5 ft (0.8 m)	
90° elbow	5.0 ft (1.5 m)	

Electrical Requirements

⚠ WARNING



Electrical Shock Hazard

Plug into a grounded 3 prong outlet.

Do not remove ground prong.

Do not use an adapter.

Do not use an extension cord.

Failure to follow these instructions can result in death, fire, or electrical shock.

IMPORTANT: The range hood must be electrically grounded in accordance with local codes and ordinances, or in the absence of local codes, with the National Electrical Code, ANSI/NFPA 70 (latest edition) or Canadian Electrical Code, CSA C22.1 No. 0-M91 (latest edition).

If codes permit and a separate ground wire is used, it is recommended that a qualified electrical installer determine that the ground path is adequate.

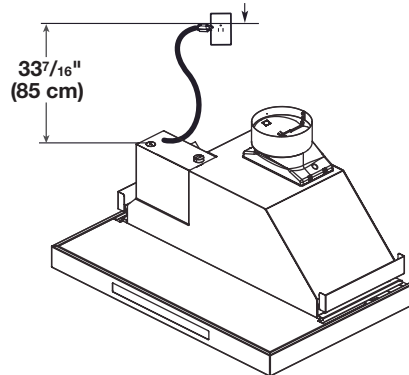
A copy of the above code standards can be obtained from:

National Fire Protection Association
1 Batterymarch Park
Quincy, MA 02169-7471

CSA International
8501 East Pleasant Valley Road
Cleveland, Ohio 44131-5575

- A 120 volt, 60 Hz, AC only, 15- or 20-amp, fused electrical circuit is required. A time-delay fuse or circuit breaker is also recommended. It is recommended that a separate circuit serving only this range hood be provided.
- This range hood is equipped with a power supply cord having a 3 prong grounding plug.

- To minimize possible shock hazard, the cord must be plugged into a mating, 3 prong, grounding-type outlet, grounded in accordance with local codes and ordinances. If a mating outlet is not available, it is the personal responsibility and obligation of the customer to have the properly grounded outlet installed by a qualified electrician.
- The grounded 3 prong outlet is to be located inside the cabinet above the range hood at a maximum distance of $33\frac{7}{16}$ " (85.0 cm) from where the power cord exits the hood. The grounded 3 prong outlet must be accessible after installation of the range hood. See illustration.



GROUNDING INSTRUCTIONS

- For a grounded, cord-connected range hood:
This range hood must be grounded. In the event of an electrical short circuit, grounding reduces the risk of electric shock by providing an escape wire for the electric current. This range hood is equipped with a cord having a grounding wire with a grounding plug. The plug must be plugged into an outlet that is properly installed and grounded.

WARNING: Improper grounding can result in a risk of electric shock.

Consult a qualified electrician if the grounding instructions are not completely understood, or if doubt exists as to whether the range hood is properly grounded.

Do not use an extension cord. If the power supply cord is too short, have a qualified electrician install an outlet near the range hood.

SAVE THESE INSTRUCTIONS

INSTALLATION INSTRUCTIONS

Prepare Location

- It is recommended that the vent system be installed before the range hood is installed.
 - Before making cutouts, make sure there is proper clearance within the ceiling or wall for vent fittings.
 - Making the cutout to the bottom of the cabinet may be easier to do prior to mounting the cabinet to the wall.
1. Disconnect power.
 2. Determine which venting method to use: roof, wall, or non-vented.
 3. Select a flat surface for assembling the range hood. Place covering over that surface.

⚠ WARNING

Excessive Weight Hazard

Use two or more people to move and install range hood.

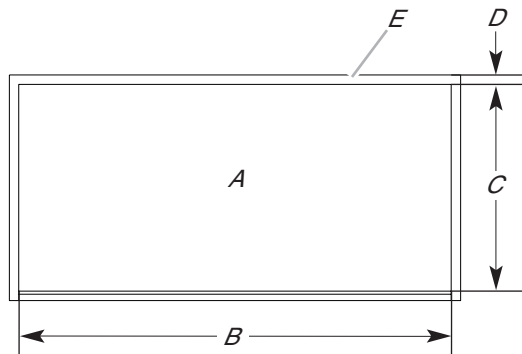
Failure to do so can result in back or other injury.

4. Using two or more people, lift range hood onto covered surface.

Range Hood Cabinet Cutout

1. Use a saber saw or keyhole saw to cut out the cabinet bottom inside the cabinet frame.

NOTE: Frameless type cabinets require 3/4" (19 mm) front lip in the cabinet bottom. A 3/4" (19 mm) thick filler strip (not supplied) may be required for some types of cabinets (see Step 3 in the "Install Range Hood" section).



- A. Bottom of cabinet cutout
- B. Bottom must be cut flush to the inside walls of the cabinet
- C. 10⁷/₈" (27.6 cm) min. from the inside of the cabinet front face
- D. Min. 3/8 (9.5 mm), max 3/4" (19 mm) thick front face required for cabinet bottom
- E. Front of cabinet

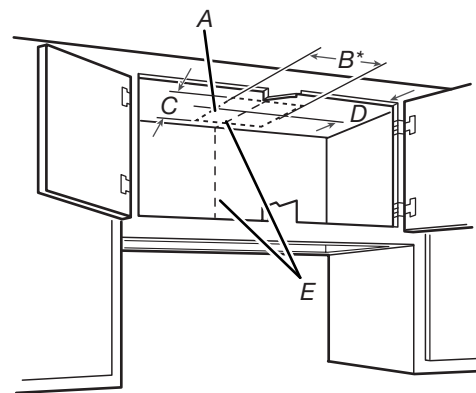
2. Complete cabinet preparation following the instructions for your type of venting. Determine venting cutout locations and cut out vent openings in the cabinets, walls, and/or soffit.

Venting Outside Through the Roof

1. Measure and mark the lines as the cutout chart shown. Use a saber saw or keyhole saw to cut an opening through the top of the cabinet and the roof for the vent.

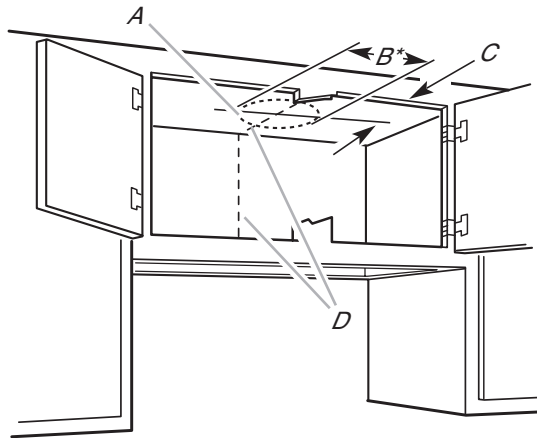
Cutout chart

Cabinet Height	Hole Shape and Size
12" (30.5 cm)	A 8 ¹⁷ / ₆₄ " wide x 6 ¹ / ₄ " deep (21 cm x 15.9 cm) rectangular opening in the cabinet top is required for damper transition clearance.



- A. Cutout
- B. 8¹⁷/₆₄" (21 cm)
- C. 6¹/₄" (15.9 cm)
- D. 6¹¹/₁₆" (17 cm) from cabinet's front wall inner side
- E. Centerline

Cabinet Height	Hole Shape and Size
15" (38.1 cm)	A 6 1/4" (15.9 cm) diameter round opening is required.



- A. Cutout
- B. $\text{Ø } 6\frac{1}{4}" (15.9 \text{ cm})^*$
- C. $7\frac{1}{2}" (19 \text{ cm})$ centerline to cabinet front
- D. Centerline

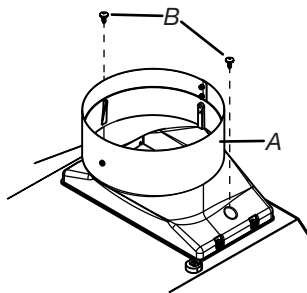
Cabinet Height	Hole Shape and Size
18" (45.7 cm) or 24" (61.0 cm)	A 5 3/4" (14.6 cm) diameter round opening is required.

For non-vented (recirculating) installations only, the range hood can be vented indoors through the top of the cabinet.

For non-vented (recirculating) installations, charcoal filters are necessary. See the "Range Hood Care" section for instructions on installing charcoal filters. The Recirculation Kit must be used. See the "Assistance or Service" section to order.

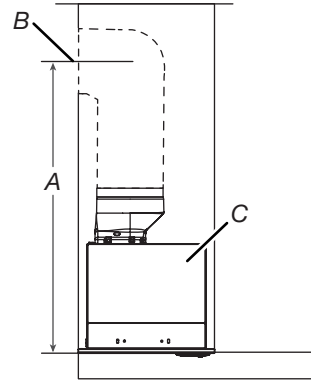
Venting Outside Through the Wall

1. Install transition on top of hood (if removed for shipping) with two 3.5 x 9.5 mm sheet metal screws.



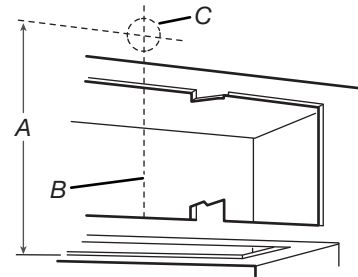
- A. Vent transition
- B. 3.5 x 9.5 mm screws

2. Assemble the vent duct that you will use over the 6" (15.2 cm) vent transition. Measure from the bottom of the range hood liner to the horizontal centerline of the vent opening (A).



- A. Measurement A
- B. Horizontal centerline of vent opening
- C. Range hood liner

3. Remove the vent duct from the range hood liner. Transfer measurement A to the cabinet back wall. Measure from the underside of the cabinet.
4. Mark the cutout as shown. Use a saber saw or keyhole saw to cut a round opening through the top of the cabinet and the exterior wall for the vent.

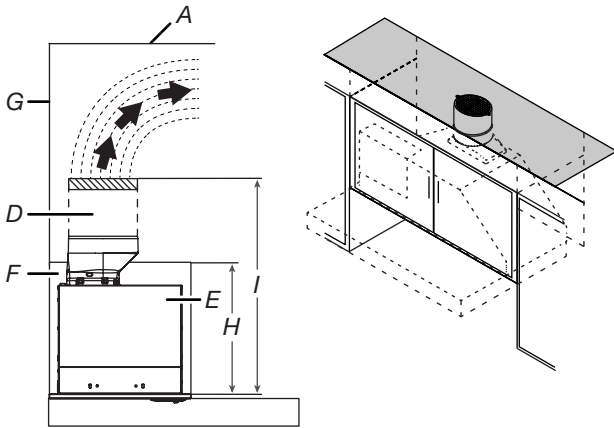


- A. Measurement A
- B. Centerline
- C. $6\frac{1}{4}" (15.9 \text{ cm})$ round cutout

Non-Vented (recirculating) Installation through the Cabinet/Soffit

Through top of Cabinet:

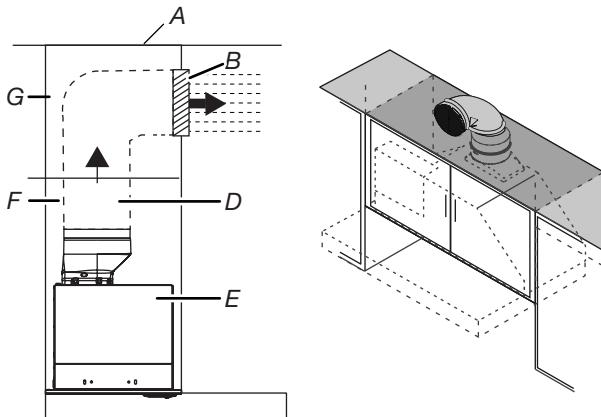
Recirculating through the cabinet top wall



- A. Ceiling
- B. Recirculating grid
- C. Soffit
- D. 6" (15.2 cm) round vent system
- E. Range hood
- F. Cabinet
- G. Wall
- H. 12" (30.5 cm) min. cabinet height
- I. 17" (43.2 cm) min. vent cover height

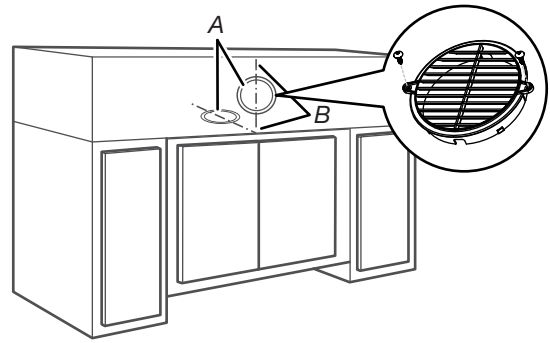
Through Soffit:

Recirculating through the soffit



- A. Ceiling
- B. Recirculating grid
- C. Soffit
- D. 6" (15.2 cm) round vent system
- E. Range hood
- F. Cabinet
- G. Wall

1. Measure and mark the centerline of the cabinet to the soffit above.
2. Measure from the bottom of the cabinet to the centerline of the where the vent will come through the soffit or cabinet top wall. Mark the location and use a saber saw or keyhole saw to cut a 5 3/4" (14.6 cm) hole for the vent cover.



- A. Vent cover
- B. Centerline

NOTE: For 12" (30.5 cm) high cabinets a 6 1/4" deep x 8" wide (14.6 cm x 20.3 cm) rectangular opening in the cabinet top is required for damper transition clearance.

3. Consider the cutout chart measures to make the openings on the cabinet.

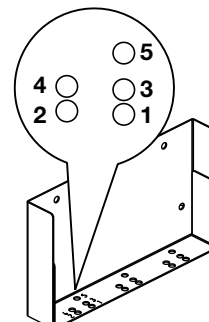
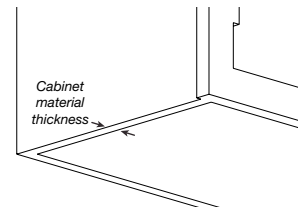
NOTE: 12" (30.5 cm) high cabinets without a soffit may allow the 6" (15.2 cm) vent and vent cover to be seen.

Complete Preparation

Installation brackets configuration

To assemble the installation brackets, you must consider the cabinet's material thickness and your cabinet's width (30" [76.2 cm] or 36" [91.44 cm]).

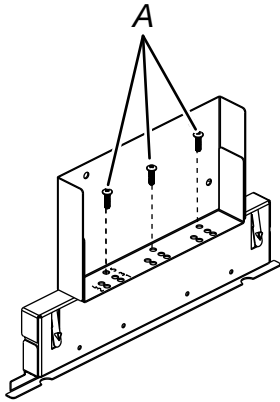
1. Measure your cabinet material thickness, then locate the bracket's installation holes, based on your cabinet thickness (see the chart below).



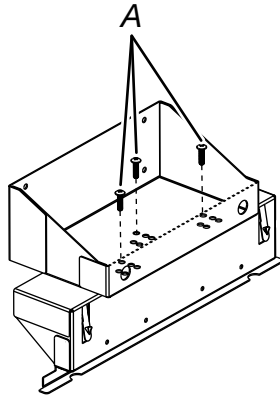
Bracket marks	Cabinet Thickness
1	3/8"
2	1/2"
3	5/8"
4	3/4"
5	1"

2. Orient the brackets depending on the width (30" or 36") of your cabinet as depicted in the images below, then secure them with three 4 x 15 mm screws on the selected thickness hole.

30" width cabinet

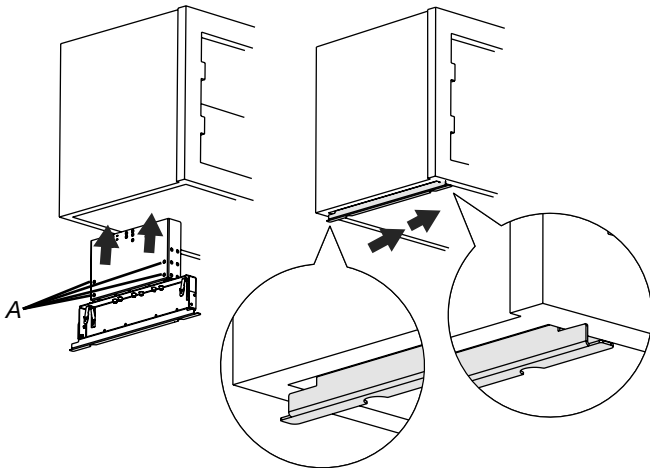


36" width cabinet



A. 4 x 15 mm screws

3. Using the bracket as a template, mark four spots in each side of the cabinet to drill 1/8" (3 mm) pilot holes.



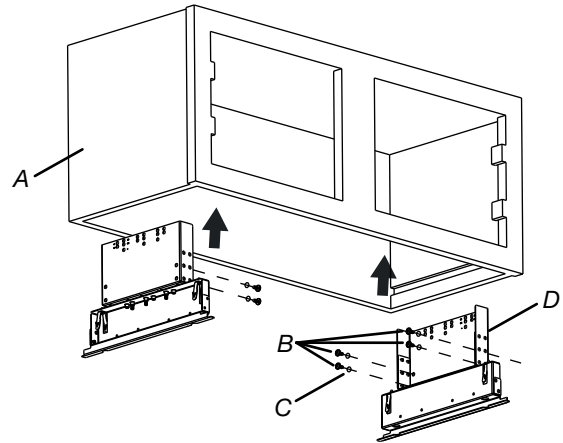
A. Pilot holes

NOTE: Align the bracket with the front and the back side of the cabinet and ensure that the bottom of the bracket is installed tight against the bottom of the cabinet.

4. Attach a bracket using four 4.5 x 13 mm screws to each side of the cabinet, and tighten.

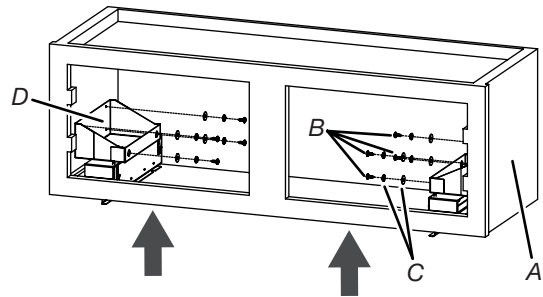
Additional washers in hardware package are supplied as spacers for cabinet walls thinner than 1/2" (13 mm).

Bracket Orientation for 30" (76.2 cm) Cabinet



A. 30" (76.2 cm) cabinet
 B. Screws - 4.5 x 13 mm (8)
 C. Washers (optional)
 D. Mounting bracket (4) (position for 30" [76.2 cm] cabinet)

Bracket Orientation for 36" (91.4 cm) Cabinet



A. 36" (91.4 cm) cabinet
 B. Screws - 4.5 x 13 mm (8)
 C. Washers (optional)
 D. Mounting bracket (4) (position for 36" [91.4 cm] cabinet)

5. Install the vent system according to the method needed.
6. Use caulking to seal the exterior wall or roof opening.

Install Range Hood

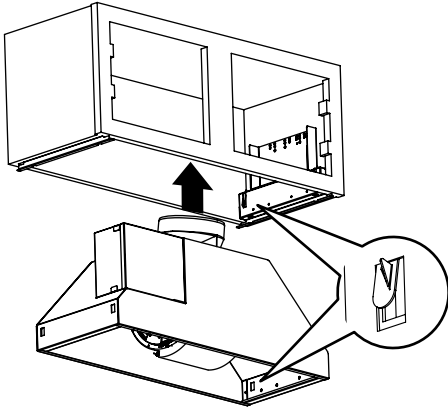
⚠ WARNING

Excessive Weight Hazard

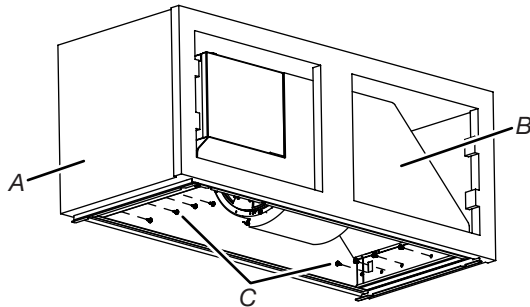
Use two or more people to move and install range hood.

Failure to do so can result in back or other injury.

- Using two or more people, lift the hood liner into the cabinet until it snaps into the 4 hooks located on the mounting brackets. The hood liner will remain suspended.

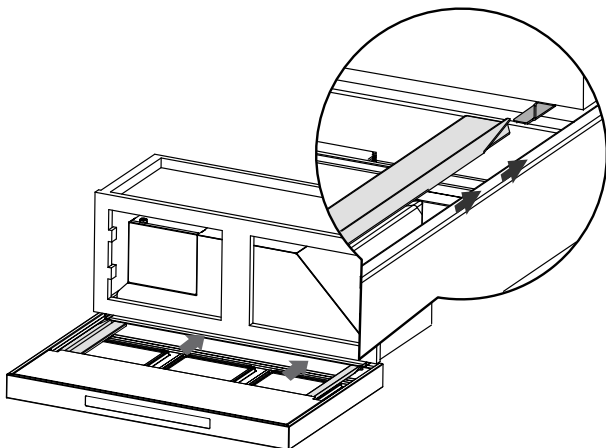


- Attach the 4.2 x 8 mm (8) screws into the slotted openings. Do not tighten screws.

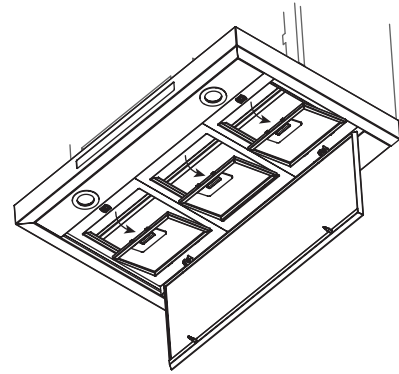


- A. Cabinet
B. Hood liner canopy assembly
C. Screws - 4.2 x 8 mm (8)

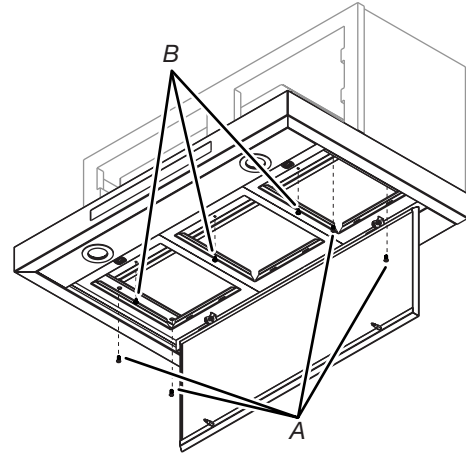
- Center the canopy in the cabinet. Align the bottom of the canopy with the bottom of the cabinet. Install the 4.2 x 8 mm T20® screws into the mounting bracket and tighten all mounting screws.
- Place the lower canopy assembly in the front side of the cabinet and slide it through the bracket as shown in drawing.



- Open perimetric panel and remove the metal grease filters from the lower canopy assembly.

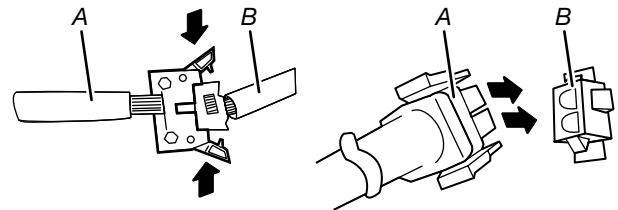


- Secure the lower canopy assembly to the hood using the 4 x 15 mm and the 4.5 x 13 mm screws as depicted in the diagram below to fasten the panel. Tighten to secure.



- A. Screws - 4 x 15 mm (4)
B. Screws - 4.5 x 13 mm (3)

- Plug lamps and control wire connectors from the lower canopy assembly into the connectors located inside the hood liner.



- A. Control wire
B. Motor box wire

- A. Lamp wire
B. Motor box wire

Connect the Vent System

Vented Installations

1. Connect the vent system to the range hood vent opening. Seal the connection with clamps.
-

Non-Vented (recirculating) Installations

1. Connect the vent system to the range hood vent opening. Seal the connection with clamps.
2. Install vent cover that is included with the recirculation accessory kit.
3. Install charcoal filters. See the "Range Hood Care" section. To order replacement kits, see the "Assistance or Service" section.

Complete Installation

1. Replace grease filters. See the "Range Hood Care" section.

⚠ WARNING



Electrical Shock Hazard

Plug into a grounded 3 prong outlet.

Do not remove ground prong.

Do not use an adapter.

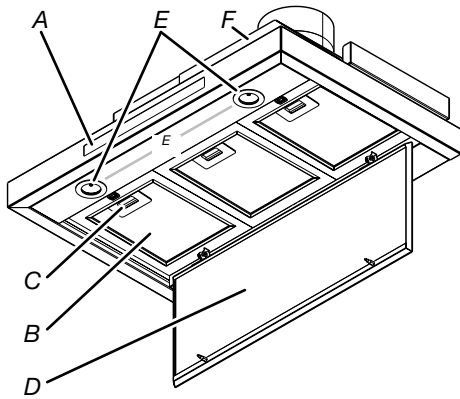
Do not use an extension cord.

Failure to follow these instructions can result in death, fire, or electrical shock.

2. Plug 3 prong power cord into a grounded 3 prong outlet located inside the cabinet above the range hood.
3. Check the operation of the range hood fan and light. See the "Range Hood Use" section.
If range hood does not operate, check to see whether a circuit breaker has tripped or a household fuse has blown.
NOTE: To get the most efficient use from your new range hood, read the "Range Hood Use" section.
4. Reinstall cabinet doors if removed. Use the assembly instructions that came with the cabinet.

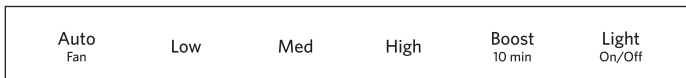
RANGE HOOD USE

The range hood is designed to remove smoke, cooking vapors, and odors from the cooktop area. For best results, start the hood before cooking and allow it to operate several minutes after the cooking is complete to clear all smoke and odors from the kitchen. The hood controls are located on the front of the range hood.



- A. Blower and LED lamp controls
- B. Grease filter
- C. Grease filter handle
- D. Perimetric cover
- E. LED lights
- F. Hood liner

Range Hood Controls



NOTES:

- To activate the controls, press and release the desired button.
- The control feature button will be lit when a control feature is turned on.

Sleep Mode

The range hood automatically enters Sleep Mode when not in use. After 10 minutes of no range hood activity, all of the control button lights will turn off. To deactivate Sleep Mode, press any button.

Auto Sense

- Auto Sense allows the range hood fan to turn on automatically when it senses heat higher than its allowable temperature limit.
- When Auto Sense is on, the fan speed will increase or decrease based on the temperature Auto Sense is measuring.
- Auto Sense can be manually increased by pressing a higher fan speed. The fan will run at the selected speed for 10 minutes before returning to the speed selected for Auto Sense.
- If Auto Sense is on, the Auto Fan button light will turn off and go into Sleep Mode when the vent hood is not in use. If the vent hood is turned on by the consumer or by Auto Sense, the Auto fan button light will turn on.

To set Auto Sense:

- Press AUTO Fan.

To Select Auto Sense Cooktop Type:

NOTE: The range hood is factory-set for the gas cooktop mode.

- Press and hold AUTO Fan for 5 seconds to switch between the gas cooktop and electric cooktop modes.
- The Auto Fan button light will flash 5 times when the range hood is changed to the electric cooktop mode. Auto Sense is now set to work with electric cooktops and ranges.
- The Auto Fan button light will flash three times when the range hood is changed to the gas cooktop mode. Auto Sense is now set to work with gas cooktops and ranges.
- Changing the cooktop type will change the temperature limit for Auto Sense to turn on. When the range hood senses a high enough temperature, the fan will start automatically.
- When the temperature drops below the set temperature limit, the fan will stop automatically. The Auto Fan button light will turn off after the range hood enters Sleep Mode, but Auto Sense is still active.

To Deactivate Auto Sense:

- If the Auto Fan button is lit, press AUTO Fan once to deactivate Auto Sense. The Auto button light will turn off.
- If Auto Sense is in Sleep Mode, press AUTO Fan once to deactivate Sleep Mode and turn on the Auto Fan button light.
- Press AUTO Fan again to deactivate Auto Sense and turn off the Auto Fan button light.
- Auto Sense will turn off automatically after two hours of no activation of the Auto Sense system. To reset Auto Sense, press AUTO Fan.

Manual Vent Functions

Fan Speeds

- Low** Press LOW to turn the fan on at LOW speed.
- Med** Press MED to turn the fan on at Medium speed.
- Hi** Press HI to turn the fan on at High speed.
- Boost** Press BOOST to turn the fan on at the highest speed. Boost will automatically turn off after 10 minutes and the fan will switch to High speed.

Timer

The range hood can be set to automatically turn off after 15 minutes.

1. Press and hold the desired fan speed button for 2 seconds. The fan will run on the chosen speed for 15 minutes and the fan speed button light will flash continuously. After 15 minutes, the fan will turn off automatically.
2. Press the desired fan speed button again while the fan timer is running to cancel the fan timer.

NOTE: Changing the fan speed or turning Auto Sense on will also cancel the 15-minute timer.

Light

The range hood has both task and ambient lighting.

To operate the lights:

1. Touch LIGHT once to turn the LED task lights to high setting.
2. Touch LIGHT again to turn LED task lights to low setting.
3. Touch LIGHT a third time to turn the LED lights off.

RANGE HOOD CARE

Cleaning

IMPORTANT: Clean the hood and grease filters frequently according to the following instructions. Replace grease filter before operating hood.

Exterior Surfaces:

IMPORTANT: To avoid damage to the exterior surface, do not use steel wool or soap-filled scouring pads.

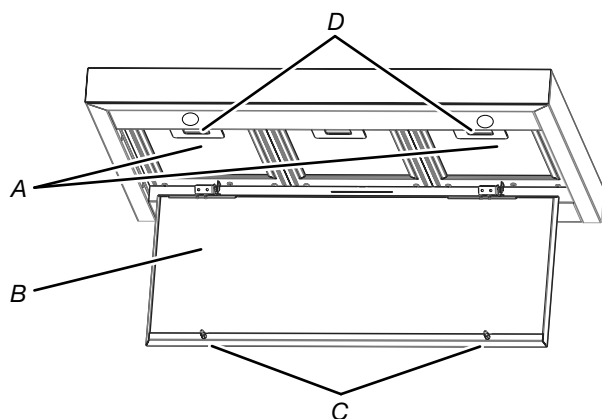
Always wipe dry to avoid water marks.

Cleaning Method:

- Liquid detergent soap and water, or all-purpose cleanser
- Wipe with damp soft cloth or nonabrasive sponge, then rinse with clean water and wipe dry.

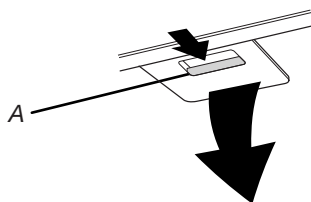
Metal Grease Filter

1. Open the panel. Grasp panel at the front corners and pull down to disengage the two catch pins from the spring catches. The panel is attached at the rear and will rotate down.



- A. Metal filters
- B. Stainless steel panel
- C. Catch pins (2)
- D. Spring catches (2)

2. Remove each filter by pulling the spring-release handle and then pulling down the filter.



- A. Spring-release handle

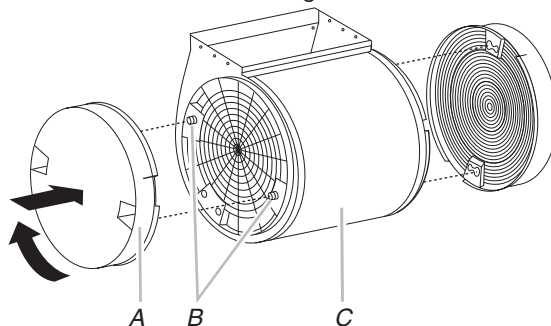
3. Wash metal filter as needed in dishwasher or hot detergent solution.
4. Reinstall the filter by making sure the spring-release handles are toward the front. Insert metal grease filter into upper track.
5. Pull the spring release handle down.
6. Push up on metal filter and release handle to latch into place.
7. Repeat steps 1-5 for the other filter.
8. Close the panel. Engage the two pins in the spring catches to secure.

Non-Vented (recirculating) Installation Filters:

The charcoal filter is not washable. It should last up to 6 months with normal use. Replace with Charcoal Filter Kit. See the "Accessories" section for information on ordering.

To replace charcoal filter:

1. Cover the grille that covers the blower motor with the charcoal filter so that the slots on the filter correspond to the pins on the sides of the motor grille.



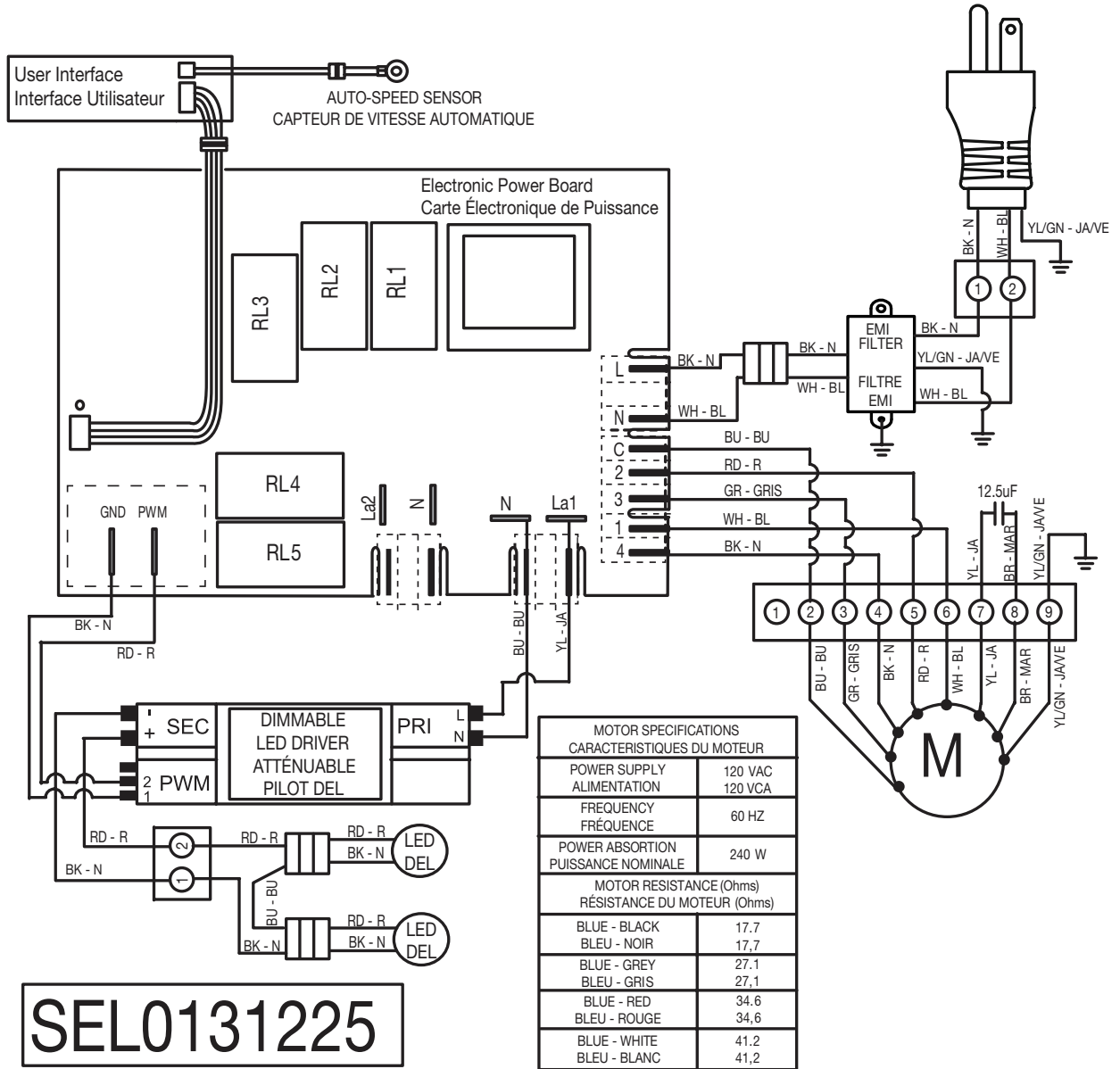
- A. Charcoal filter
- B. Pins
- C. Blower motor

2. Turn the charcoal filter clockwise to lock it.
3. Repeat steps 1-2 on the other filter.

Replacing an LED Lamp

The LED lights are replaceable by a service technician only. See the "Assistance and Service" section for service contact information.

WIRING DIAGRAM



ASSISTANCE OR SERVICE

If you need service

Please refer to the warranty page in these instructions.

If you need replacement parts

If you need to order replacement parts, we recommend that you use only factory specified parts. Factory specified parts will fit right and work right because they are made with the same precision used to build every new appliance.

To locate factory specified replacement parts in your area, call the following customer assistance telephone number or your nearest designated service center.

In the U.S.A.

Call the Whirlpool Customer eXperience Center toll-free: **1-800-253-1301** or visit our website at **www.whirlpool.com**.

Our consultants provide assistance with:

- Scheduling of service. Whirlpool designated service technicians are trained to fulfill the product warranty and provide after-warranty service anywhere in the United States.
- Features and specifications on our full line of appliances.
- Referrals to local dealers.
- Installation information.
- Use and maintenance procedures.
- Accessory and repair parts sales.
- Specialized customer assistance (Spanish speaking, hearing impaired, limited vision, etc.).

For further assistance

If you need further assistance, you can write to Whirlpool Corporation with any questions or concerns at:

Whirlpool Brand Home Appliances
Customer eXperience Center
553 Benson Road
Benton Harbor, MI 49022-2692

Please include a daytime phone number in your correspondence.

In Canada

Call the Whirlpool Canada LP Customer eXperience Center toll free: **1-800-807-6777** or visit our website **www.whirlpool.ca**.

Our consultants provide assistance with:

- Scheduling of service. Whirlpool designated service technicians are trained to fulfill the product warranty and provide after-warranty service anywhere in Canada.
- Features and specifications on our full line of appliances.
- Referrals to local Whirlpool dealers.
- Use and maintenance procedures.
- Accessory and repair parts sales.
- Referrals to local dealers, repair parts distributors, and service companies.

For further assistance

If you need further assistance, you can write to Whirlpool Canada LP with any questions or concerns at:

Whirlpool Brand Home Appliances
Customer eXperience Centre
Whirlpool Canada LP
200 - 6750 Century Ave.
Mississauga, Ontario L5N 0B7

Please include a daytime phone number in your correspondence.

Accessories

Recirculation Kit

(for non-vented installations only)
Order Part Number W10490330

Replacement Charcoal Filters

(for non-vented installations only)
Order Part Number W10272068

WHIRLPOOL® MAJOR APPLIANCE LIMITED WARRANTY

ATTACH YOUR RECEIPT HERE. PROOF OF PURCHASE IS REQUIRED TO OBTAIN WARRANTY SERVICE.

Please have the following information available when you call the Customer eXperience Center:

- Name, address and telephone number
- Model number and serial number
- A clear, detailed description of the problem
- Proof of purchase including dealer or retailer name and address

IF YOU NEED SERVICE:

1. Before contacting us to arrange service, please determine whether your product requires repair. Some questions can be addressed without service. Please take a few minutes to review the Troubleshooting or Problem Solver section of the Use and Care Guide, scan the QR code on the right to access additional resources, or visit www.whirlpool.com/product_help.
2. All warranty service is provided exclusively by our authorized Whirlpool Service Providers. In the U.S. and Canada, direct all requests for warranty service to:

Whirlpool Customer eXperience Center

In the U.S.A., call 1-800-253-1301. In Canada, call 1-800-807-6777.

If outside the 50 United States or Canada, contact your authorized Whirlpool dealer to determine whether another warranty applies.



www.whirlpool.com/product_help

ONE YEAR LIMITED WARRANTY

WHAT IS COVERED

For one year from the date of purchase, when this major appliance is installed, operated and maintained according to instructions attached to or furnished with the product, Whirlpool Corporation or Whirlpool Canada LP (hereafter "Whirlpool") will pay for Factory Specified Replacement Parts and repair labor to correct defects in materials or workmanship that existed when this major appliance was purchased, or at its sole discretion replace the product. In the event of product replacement, your appliance will be warranted for the remaining term of the original unit's warranty period.

YOUR SOLE AND EXCLUSIVE REMEDY UNDER THIS LIMITED WARRANTY SHALL BE PRODUCT REPAIR AS PROVIDED HEREIN. Service must be provided by a Whirlpool designated service company. This limited warranty is valid only in the United States or Canada and applies only when the major appliance is used in the country in which it was purchased. This limited warranty is effective from the date of original consumer purchase. Proof of original purchase date is required to obtain service under this limited warranty.

WHAT IS NOT COVERED

1. Commercial, non-residential, multiple-family use, or use inconsistent with published user, operator or installation instructions.
2. In-home instruction on how to use your product.
3. Service to correct improper product maintenance or installation, installation not in accordance with electrical or plumbing codes or correction of household electrical or plumbing (i.e. house wiring, fuses or water inlet hoses).
4. Consumable parts (i.e. light bulbs, batteries, air or water filters, preservation solutions, etc.).
5. Defects or damage caused by the use of non-genuine Whirlpool parts or accessories.
6. Conversion of products from natural gas or L.P. gas.
7. Damage from accident, misuse, abuse, fire, floods, acts of God or use with products not approved by Whirlpool.
8. Repairs to parts or systems to correct product damage or defects caused by unauthorized service, alteration or modification of the appliance.
9. Cosmetic damage including scratches, dents, chips, and other damage to the appliance finishes unless such damage results from defects in materials and workmanship and is reported to Whirlpool within 30 days.
10. Discoloration, rust or oxidation of surfaces resulting from caustic or corrosive environments including but not limited to high salt concentrations, high moisture or humidity or exposure to chemicals.
11. Food or medicine loss due to product failure.
12. Pick-up or delivery. This product is intended for in-home repair.
13. Travel or transportation expenses for service in remote locations where an authorized Whirlpool servicer is not available.
14. Removal or reinstallation of inaccessible appliances or built-in fixtures (i.e. trim, decorative panels, flooring, cabinetry, islands, countertops, drywall, etc.) that interfere with servicing, removal or replacement of the product.
15. Service or parts for appliances with original model/serial numbers removed, altered or not easily determined.

The cost of repair or replacement under these excluded circumstances shall be borne by the customer.

DISCLAIMER OF IMPLIED WARRANTIES

IMPLIED WARRANTIES, INCLUDING ANY IMPLIED WARRANTY OF MERCHANTABILITY OR IMPLIED WARRANTY OF FITNESS FOR A PARTICULAR PURPOSE, ARE LIMITED TO ONE YEAR OR THE SHORTEST PERIOD ALLOWED BY LAW. Some states and provinces do not allow limitations on the duration of implied warranties of merchantability or fitness, so this limitation may not apply to you. This warranty gives you specific legal rights, and you also may have other rights that vary from state to state or province to province.

DISCLAIMER OF REPRESENTATIONS OUTSIDE OF WARRANTY

Whirlpool makes no representations about the quality, durability, or need for service or repair of this major appliance other than the representations contained in this warranty. If you want a longer or more comprehensive warranty than the limited warranty that comes with this major appliance, you should ask Whirlpool or your retailer about buying an extended warranty.

LIMITATION OF REMEDIES; EXCLUSION OF INCIDENTAL AND CONSEQUENTIAL DAMAGES

YOUR SOLE AND EXCLUSIVE REMEDY UNDER THIS LIMITED WARRANTY SHALL BE PRODUCT REPAIR AS PROVIDED HEREIN. WHIRLPOOL SHALL NOT BE LIABLE FOR INCIDENTAL OR CONSEQUENTIAL DAMAGES. Some states and provinces do not allow the exclusion or limitation of incidental or consequential damages, so these limitations and exclusions may not apply to you. This warranty gives you specific legal rights, and you also may have other rights that vary from state to state or province to province.

SÉCURITÉ DE LA HOTTE DE CUISINIÈRE

Votre sécurité et celle des autres est très importante.

Nous donnons de nombreux messages de sécurité importants dans ce manuel et sur votre appareil ménager. Assurez-vous de toujours lire tous les messages de sécurité et de vous y conformer.



Voici le symbole d'alerte de sécurité.

Ce symbole d'alerte de sécurité vous signale les dangers potentiels de décès et de blessures graves à vous et à d'autres.

Tous les messages de sécurité suivront le symbole d'alerte de sécurité et le mot "DANGER" ou "AVERTISSEMENT". Ces mots signifient :

 **DANGER**

Risque possible de décès ou de blessure grave si vous ne suivez pas immédiatement les instructions.

 **AVERTISSEMENT**

Risque possible de décès ou de blessure grave si vous ne suivez pas les instructions.

Tous les messages de sécurité vous diront quel est le danger potentiel et vous disent comment réduire le risque de blessure et ce qui peut se produire en cas de non-respect des instructions.

Avertissements de la proposition 65 de l'État de Californie :

AVERTISSEMENT : Ce produit contient au moins un produit chimique connu par l'État de Californie pour être à l'origine de cancers.

AVERTISSEMENT : Ce produit contient au moins un produit chimique connu par l'État de Californie pour être à l'origine de malformations et autres déficiences de naissance.

IMPORTANTES INSTRUCTIONS DE SÉCURITÉ

AVERTISSEMENT : POUR RÉDUIRE LE RISQUE D'INCENDIE, CHOC ÉLECTRIQUE OU DOMMAGES CORPORELS, RESPECTER LES INSTRUCTIONS SUIVANTES :

- Utiliser cet appareil uniquement dans les applications envisagées par le fabricant. Pour toute question, contacter le fabricant.
- Avant d'entreprendre un travail d'entretien ou de nettoyage, interrompre l'alimentation de la hotte au niveau du tableau de disjoncteurs, et verrouiller le tableau de disjoncteurs pour empêcher tout rétablissement accidentel de l'alimentation du circuit. Lorsqu'il n'est pas possible de verrouiller le tableau de disjoncteurs, placer sur le tableau de disjoncteurs une étiquette d'avertissement proéminente interdisant le rétablissement de l'alimentation.
- Tout travail d'installation ou câblage électrique doit être réalisé par une personne qualifiée, dans le respect des prescriptions de tous les codes et normes applicables, y compris les codes du bâtiment et de protection contre les incendies.
- Ne pas faire fonctionner un ventilateur dont le cordon ou la fiche est endommagé(e). Jeter le ventilateur ou le retourner à un centre de service agréé pour examen et/ou réparation.
- Une source d'air de débit suffisant est nécessaire pour le fonctionnement correct de tout appareil à gaz (combustion et évacuation des gaz à combustion par la cheminée), pour qu'il n'y ait pas de reflux des gaz de combustion. Respecter les directives du fabricant de l'équipement de chauffage et les prescriptions des normes de sécurité - comme celles publiées par la National Fire Protection Association (NFPA) et l'American Society for Heating, Refrigeration and Air Conditioning Engineers (ASHRAE), et les prescriptions des autorités réglementaires locales.
- Lors d'opérations de découpage et de perçage dans un mur ou un plafond, veiller à ne pas endommager les câblages électriques ou canalisations qui peuvent s'y trouver.
- Les ventilateurs d'évacuation doivent toujours décharger l'air à l'extérieur.

MISE EN GARDE : Cet appareil est conçu uniquement pour la ventilation générale. Ne pas l'utiliser pour l'extraction de matières ou vapeurs dangereuses ou explosives.

MISE EN GARDE : Pour minimiser le risque d'incendie et évacuer adéquatement les gaz, veiller à acheminer l'air aspiré par un conduit jusqu'à l'extérieur - ne pas décharger l'air aspiré dans un espace vide du bâtiment comme une cavité murale, un plafond, un grenier, un vide sanitaire ou un garage.

AVERTISSEMENT : POUR RÉDUIRE LE RISQUE D'INCENDIE, UTILISER UNIQUEMENT DES CONDUITS MÉTALLIQUES.

AVERTISSEMENT : POUR MINIMISER LE RISQUE D'UN FEU DE GRAISSE SUR LA CUISINIÈRE :

- Ne jamais laisser un élément de surface fonctionner à puissance de chauffage maximale sans surveillance. Un renversement/débordement de matière grasseuse pourrait provoquer une inflammation et la génération de fumée. Utiliser une puissance de chauffage moyenne ou basse pour le chauffage d'huile.
- Veiller à toujours faire fonctionner le ventilateur de la hotte lors de la cuisson avec une puissance de chauffage élevée ou lors de la cuisson d'un mets à flamber (à savoir crêpes Suzette, cerise jubilee, steak au poivre flambé).
- Nettoyer fréquemment les ventilateurs d'extraction. Veiller à ne pas laisser la graisse s'accumuler sur les surfaces du ventilateur ou des filtres.
- Utiliser toujours un ustensile de taille appropriée. Utiliser toujours un ustensile adapté à la taille de l'élément chauffant.

AVERTISSEMENT : POUR RÉDUIRE LE RISQUE DE DOMMAGES CORPORELS APRÈS LE DÉCLENCHEMENT D'UN FEU DE GRAISSE SUR LA CUISINIÈRE, APPLIQUER LES RECOMMANDATIONS SUIVANTES :^a

- Placer sur le récipient un couvercle bien ajusté, une tôle à biscuits ou un plateau métallique **POUR ÉTOUFFER LES FLAMMES**, puis éteindre le brûleur. **VEILLER À ÉVITER LES BRÛLURES**. Si les flammes ne s'éteignent pas immédiatement, **ÉVACUER LA PIÈCE ET APPELER LES POMPIERS**.
- **NE JAMAIS PRENDRE EN MAIN UN RÉCIPENT ENFLAMMÉ** - vous risquez de vous brûler.
- **NE PAS UTILISER D'EAU**, ni un torchon humide - ceci pourrait provoquer une explosion de vapeur brûlante.
- Utiliser un extincteur **SEULEMENT** si :
 - Il s'agit d'un extincteur de classe ABC, dont on connaît le fonctionnement.
 - Il s'agit d'un petit feu encore limité à l'endroit où il s'est déclaré.
 - Les pompiers ont été contactés.
 - Il est possible de garder le dos orienté vers une sortie pendant l'opération de lutte contre le feu.

^aRecommandations tirées des conseils de sécurité en cas d'incendie de cuisine publiés par la NFPA.

- **AVERTISSEMENT :** Pour réduire le risque d'incendie ou de choc électrique, ne pas utiliser ce ventilateur avec un quelconque dispositif de réglage de la vitesse à semi-conducteurs.

LIRE ET CONSERVER CES INSTRUCTIONS

EXIGENCES D'INSTALLATION

Outils et pièces

Rassembler les outils et pièces nécessaires avant d'entreprendre l'installation. Lire et observer les instructions fournies avec chacun des outils de la liste ci-dessous.

Outils nécessaires

- Niveau
- Perceuse avec forets de 1 1/4" (3,2 cm), 1/8" (3 mm) et 1/16" (1,6 mm)
- Crayon
- Pince à dénuder ou couteau tout usage
- Pince
- Mètre-ruban ou règle
- Pistolet à calfeutrage et composé de calfeutrage résistant aux intempéries
- Tournevis Phillips
- Tournevis à lame plate
- Scie sauteuse ou scie à guichet
- Brides de conduit
- Cisaille de ferblantier

Pièces nécessaires

- Système de conduit d'évacuation métallique rond de 6" (15,2 cm)

Pour les installations avec décharge à l'extérieur, il faudra aussi :

- 1 bouche de décharge (décharge à travers le mur ou à travers le toit)
- Brides de fixation/ruban à conduits au besoin

Pour les installations sans décharge à l'extérieur (recyclage), il faudra aussi :

- Ensemble de recyclage : Voir la section "Assistance ou service" pour commander.

Pièces fournies

Retirer les pièces de leur emballage. Vérifier que toutes les pièces sont présentes.

- Ensemble capot avec feux LED déjà installé (1)
- Ensemble d'insert de capot avec souffleur / boîte électronique
- Vis à bois de 4,5 x 13 mm (11)
- Vis de 4,2 x 8 mm (8)
- Vis de 4 x 15 mm (10)
- Vis à tête T10 3.5 x 9.5 (2)
- Brides de montage (4)
- TORX®† vis adaptateur T10® et T20® (1)
- Rondelles de 6,4 x 18 mm (8)
- Rondelles en plastique de 4,2 x 12 mm (8)
- Clapet anti-reflux de 6" (15,2 cm) (1)

Pièces non fournies

Accessoires optionnels

Pour les installations sans ventilation (recyclage) :

1. Consultez la section "Assistance ou service" pour les informations sur le numéro de pièce du kit de recirculation.

Exigences d'emplacement

IMPORTANT : Observer les dispositions de tous les codes et règlements en vigueur.

Confier l'installation de la hotte à un technicien qualifié. C'est à l'installateur qu'incombe la responsabilité de respecter les distances de séparation exigées, spécifiées sur la plaque signalétique de l'appareil. La plaque signalétique de l'appareil est située derrière le filtre, sur la paroi arrière gauche de la hotte.

Installer la hotte de cuisinière à distance de toute zone exposée à des courants d'air, comme fenêtres, portes et bouches de chauffage.

Respecter les dimensions indiquées pour les ouvertures à découper dans les placards. Ces dimensions tiennent compte des valeurs minimales des dégagements de séparation. Avant d'effectuer des découpages, consulter les instructions d'installation de la table de cuisson/cuisinière.

Il est recommandé d'utiliser cette hotte avec une table de cuisson dont la puissance totale ne dépasse pas 65 000 BTU.

On doit disposer d'une prise de courant électrique reliée à la terre. Voir la section "Spécifications électriques".

La hotte a été configurée à l'usine pour une installation avec décharge à l'extérieur à travers le toit ou le mur. Pour une installation sans décharge à l'extérieur (recyclage), voir "Installation sans décharge à l'extérieur (recyclage) à travers le soffite/placard", à la section "Préparation de l'emplacement". L'ensemble de recyclage est disponible chez votre marchand ou chez un distributeur de pièces autorisé.

Assurer l'étanchéité au niveau de chaque ouverture découpée dans le plafond ou le mur pour l'installation de la hotte de cuisinière.

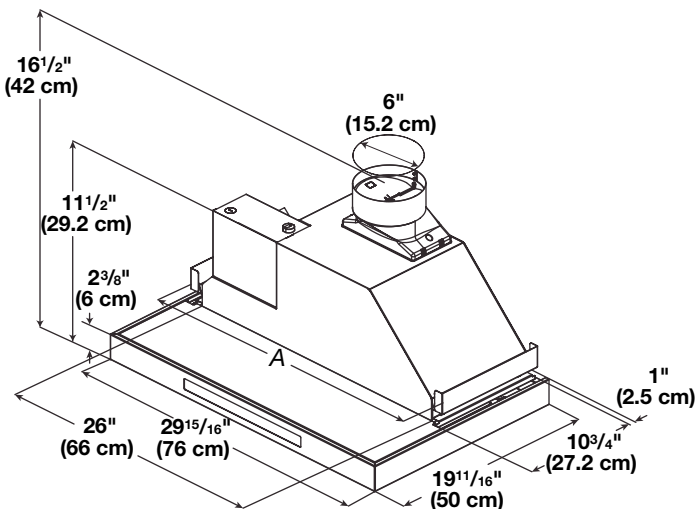
Installation dans une résidence mobile

L'installation de cette hotte doit satisfaire aux exigences de la norme Manufactured Home Construction Safety Standards, Titre 24 CFR, partie 328 (anciennement Federal Standard for Mobile Home Construction and Safety, titre 24, HUD, partie 280); lorsque cette norme n'est pas applicable, l'installation doit satisfaire aux critères de la plus récente édition de la norme Manufactured Home Installation 1982 (Manufactured Home Sites, Communities and Setups) ANSI A225.1/NFPA 501A, ou des codes locaux.

†TORX®, T10®, et T20® sont des marques déposées de Acument Intellectual Properties, LLC.

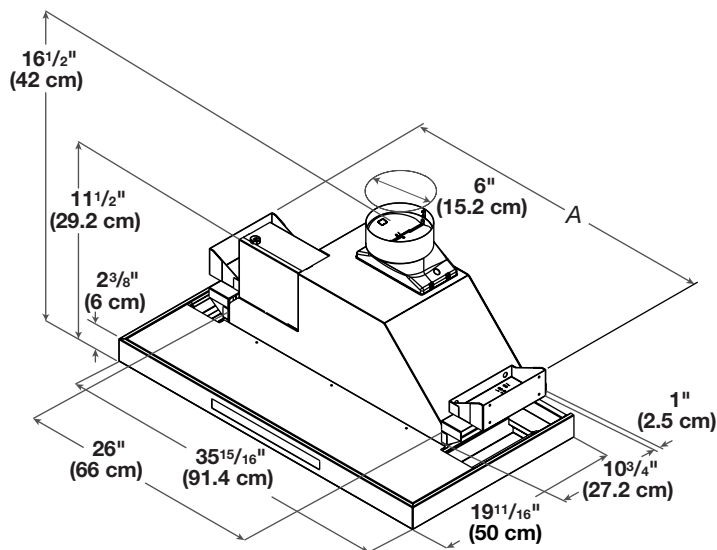
Dimensions du produit

30" Modèle



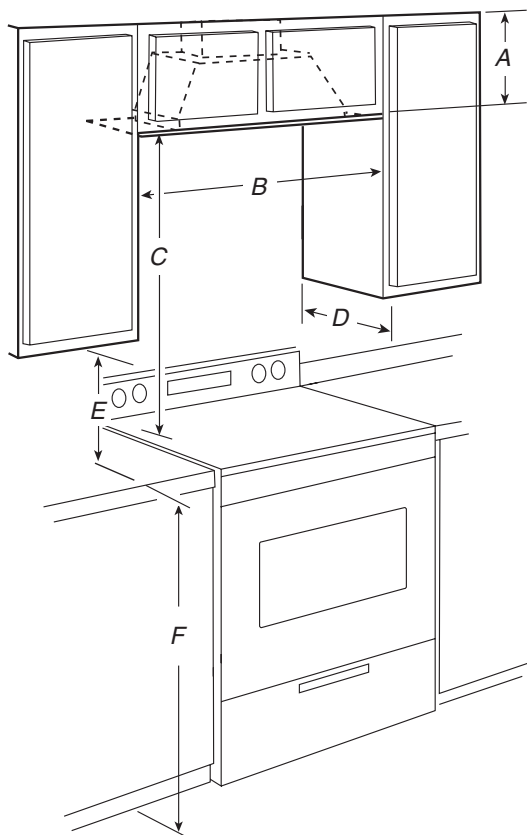
A. Dimensions de l'armoire de 30"
MIN: 27¹⁵/₃₂" (69,75 cm)
MAX: 28¹³/₆₄" (71,65 cm)

36" Modèle



A. Dimensions de l'armoire de 36"
MIN: 33¹⁵/₃₂" (86,2 cm)
MAX: 34¹/₁₆" (88,1 cm)

Dimensions du placard



A. Hauteur minimale de placard
12" (30,5 cm)

B. largeur de l'armoire de 30"
Min 27,4", Max 28,5"
largeur de l'armoire de 36"
Min 33,9", Max 34,5"

C. 24" (61,0 cm) min. à partir de la surface de cuisson électrique, 27" (68,6 cm) min. à partir de la surface de cuisson au gaz; distance max. suggérée de 36" (91,4 cm) entre le bas du placard et la surface de cuisson

D. Profondeur de placard de 12" (30,5 cm)*

E. Dégagement min. entre le haut du placard et le plan de travail de 15" (38,1 cm)

F. Hauteur de placard sur plancher de 36" (91,4 cm)

IMPORTANT : Montez cette hotte de sorte que le bord inférieur au-dessus de la surface de cuisson soit à un minimum de 27" (68,5 cm) si une cuisinière de gaz est utilisée, ou à 24" (61 cm) si une cuisinière électrique est utilisée. La distance maximale suggérée est de 36" (91,4 cm). Pour une utilisation domestique, lisez le manuel d'installation pour une application spécifique. Vérifiez les dimensions de votre armoire avant de sélectionner votre hotte aspirante.

Exigences concernant l'évacuation (modèles avec décharge à l'extérieur uniquement)

- Le circuit d'évacuation doit décharger l'air à l'extérieur, excepté pour les installations sans décharge à l'extérieur (recyclage).
- Ne pas terminer le circuit d'évacuation dans un grenier ou dans un autre espace clos.
- Ne pas utiliser une bouche de décharge murale de 4" (10,2 cm) normalement utilisée pour un équipement de buanderie.
- Utiliser un conduit métallique uniquement. Un conduit en métal rigide est recommandé. Ne pas utiliser de conduit de plastique ou en aluminium.
- La longueur du conduit de décharge et le nombre de coudes doivent être réduits au minimum pour fournir la meilleure performance.

Pour un fonctionnement efficace et silencieux :

- Ne pas utiliser plus de trois coudes à 90°.
- Veiller à ce qu'il y ait une section droite de conduit d'un minimum de 24" (61,0 cm) entre les raccords coudés, si on doit en utiliser plus d'un.
- Ne pas installer deux coudes successifs.
- Le circuit d'évacuation doit comporter un clapet anti-reflux.
- Au niveau de chaque jointure du circuit d'évacuation, assurer l'étanchéité avec les brides de serrage.

- À l'aide d'un produit de calfeutrage, assurer l'étanchéité autour de la bouche de décharge à l'extérieur (à travers le mur ou le toit).

- La taille du conduit doit être uniforme.

Installations pour régions à climat froid

On doit installer un clapet anti-retour supplémentaire à l'arrière pour minimiser le reflux d'air froid et incorporer un élément d'isolation thermique pour minimiser la conduction de chaleur par l'intermédiaire du conduit d'évacuation, de l'intérieur de la maison à l'extérieur. Le clapet anti-retour doit être placé du côté air froid de la résistance thermique.

L'élément d'isolation thermique doit être aussi proche que possible de l'endroit où le circuit d'évacuation s'introduit dans la partie chauffée de la maison.

Air d'appoint

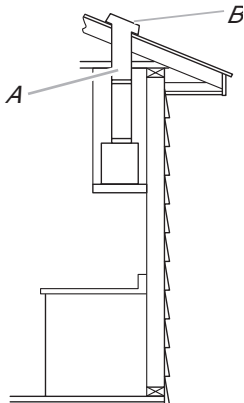
Les codes du bâtiment locaux peuvent exiger l'emploi d'un système de renouvellement de l'air/introduction d'air d'appoint, lors de l'utilisation d'un système d'aspiration de débit supérieur à une valeur (pieds cubes par minute) spécifiée. Le débit spécifié en pieds cubes par minute varie d'une juridiction à l'autre. Consulter un professionnel des installations de chauffage ventilation/climatisation au sujet des exigences spécifiques applicables dans la juridiction locale.

Méthodes d'évacuation

Cette hotte a été configurée à l'usine pour la décharge à travers le toit ou à travers le mur.

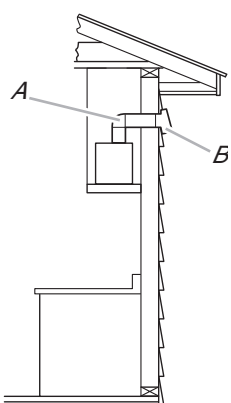
Le système de décharge requis pour l'installation n'est pas fourni. Un circuit d'évacuation avec conduit circulaire de 6" (15,2 cm) est recommandé.

Décharge à travers le toit



- A. Conduit de dia. 6" (15,2 cm) pour décharge à travers le toit
B. Bouche de décharge sur toit

Évacuation par le mur



- A. Conduit de dia. 6" (15,2 cm) pour décharge à travers le mur
B. Bouche de décharge murale

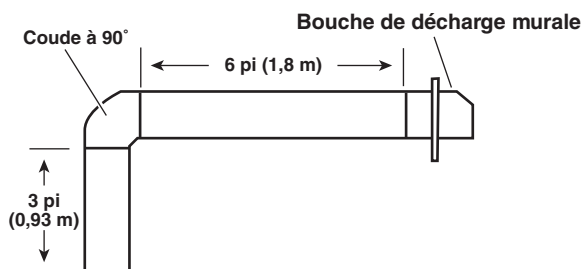
Calcul de la longueur effective du circuit d'évacuation

Pour la réalisation du circuit d'évacuation, on recommande un conduit de 6" (15,2 cm) de diamètre avec une longueur maximale de 35 pi (10,7 m). Pour une performance optimale, ne pas utiliser plus de trois coudes à 90°.

Pour calculer la longueur effective du circuit d'évacuation nécessaire, additionner les longueurs équivalentes (en pieds/mètres) de tous les composants utilisés dans le circuit.

Composant	6" (15,2 cm)
Coude à 45°	2,5 pi (0,8 m)
Coude à 90°	5,0 pi (1,5 m)

Exemple de circuit d'évacuation : 6" (15,2 cm)



Longueur maximum = 35 pi (10,7 m)

1 coude à 90° = 5 pi (1,5 m)

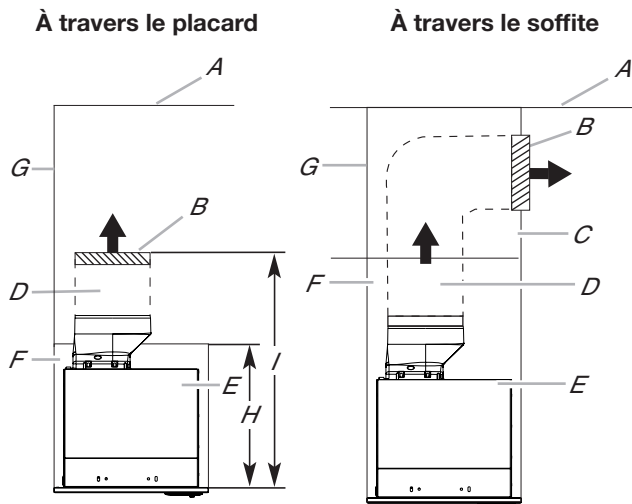
1 bouche de décharge murale = 0 pi (0 m)

Section droite de 9 pi (2,8 m) = 9 pi (2,8 m)

Longueur totale = 14 pi (4,3 m)

Installation sans décharge à l'extérieur (recyclage) à travers le soffite/placard

S'il n'est pas possible d'évacuer les fumées et vapeurs de cuisson à l'extérieur, on peut employer la version sans décharge à l'extérieur (recyclage) de la hotte, dotée d'un filtre à charbon. Ensemble de filtres à charbon (pièce numéro W10272068) est disponible chez votre marchand ou chez un distributeur de pièces autorisé.



- | | |
|--------------------------|--|
| A. Plafond | F. Placard |
| B. Cache-conduit | G. Mur |
| C. Soffite | H. Hauteur du placard de 12" (30,5 cm) |
| D. Évent de 6" (15,2 cm) | I. Hauteur de cache-conduit de 17" (43,2 cm) |
| E. Hotte de cuisinière | |

REMARQUE : Pour des placards de 12" (30,5 cm) de hauteur qui ne comportent pas de soffite, le conduit et le cache-conduit de 6" (15,2 cm) peuvent rester visibles.

Spécifications électriques

⚠ AVERTISSEMENT



Risque de choc électrique

Brancher sur une prise à 3 alvéoles reliée à la terre.

Ne pas enlever la broche de liaison à la terre.

Ne pas utiliser un adaptateur.

Ne pas utiliser un câble de rallonge.

Le non-respect de ces instructions peut causer un décès, un incendie ou un choc électrique.

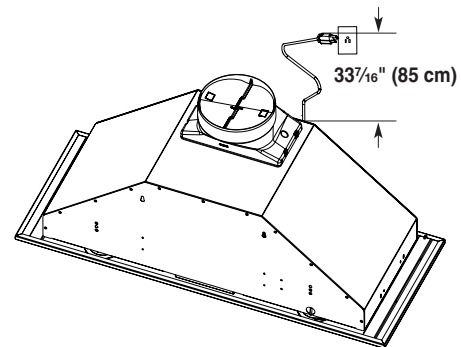
IMPORTANT : La hotte doit être correctement reliée à la terre en conformité avec les codes et règlements locaux en vigueur, ou en l'absence de tels codes, avec le National Electrical Code, ANSI/NFPA 70 (dernière édition) ou le Code canadien des installations électriques, CSA C22.1. No. 0-M91 (dernière édition).

Si les codes le permettent et si on utilise un conducteur distinct de liaison à la terre, il est recommandé qu'un électricien qualifié vérifie la qualité de la liaison à la terre.

Pour obtenir un exemplaire des normes des codes ci-dessus, contacter :

National Fire Protection Association
1 Batterymarch Park
Quincy, MA 02169-7471
CSA International
8501 East Pleasant Valley Road
Cleveland, Ohio 44131-5575

- Une alimentation de 120 volts, 60 Hz, CA seulement, de 15 ou 20 ampères, protégée par un fusible est requise. On recommande également d'utiliser un fusible ou un disjoncteur temporisé. Il est recommandé de raccorder la hotte sur un circuit distinct exclusif à cet appareil.
- Cette hotte est équipée d'un cordon d'alimentation électrique de liaison à la terre à trois broches.
- Pour minimiser les risques de choc électrique, on doit brancher le cordon sur une prise de courant de configuration correspondante, à 3 alvéoles, reliée à la terre et installée conformément aux codes et règlements locaux. Si une prise de courant de configuration correspondante n'est pas disponible, le client a la responsabilité et l'obligation de faire installer par un électricien qualifié une prise de courant correctement reliée à la terre.
- La prise à 3 broches reliée à la terre doit se trouver dans un placard situé au-dessus de la hotte, à une distance maximale de 33⁷/₁₆" (85,0 cm) à partir du point duquel le cordon d'alimentation sort de la hotte. La prise à 3 broches reliée à la terre doit être accessible une fois la hotte installée. Voir l'illustration.



INSTRUCTIONS DE MISE À LA TERRE

- Pour une hotte reliée à la terre et connectée par un cordon : Cette hotte doit être reliée à la terre. Au cas où un court-circuit se produirait, la liaison à la terre réduit le risque de choc électrique, en permettant au courant de s'échapper directement vers la terre. La hotte est équipée d'un cordon comportant un conducteur de liaison à la terre avec fiche de liaison à la terre. La fiche doit être branchée dans une prise correctement installée et reliée à la terre.

AVERTISSEMENT : Une mise à la terre incorrecte peut entraîner un risque de choc électrique.

Consulter un électricien qualifié si les instructions de mise à la terre ne sont pas complètement comprises, ou si vous avez des doutes quant à la qualité de la liaison à la terre de la hotte.

Ne pas utiliser de câble de rallonge. Si le cordon d'alimentation électrique est trop court, faire installer une prise près de la hotte par un électricien qualifié.

CONSERVEZ CES INSTRUCTIONS

INSTRUCTIONS D'INSTALLATION

Préparation de l'emplacement

- Il est recommandé que l'installation du circuit d'évacuation soit réalisée avant celle de la hotte.
 - Avant de procéder aux découpages, vérifier que les distances de séparation pour les raccords dans les cavités du plafond ou du mur sont adéquates.
 - Avant de monter le placard au mur, il sera peut-être plus facile de découper au préalable l'ouverture dans le fond du placard.
1. Déconnecter la source de courant électrique.
 2. Déterminer la méthode d'évacuation à utiliser : décharge à travers le mur ou le toit, ou recyclage.
 3. Choisir une surface plane pour l'assemblage de la hotte. Placer le matériau de protection sur cette surface.

⚠ AVERTISSEMENT

Risque du poids excessif

Utiliser deux ou plus de personnes pour déplacer et installer la hotte de la cuisinière.

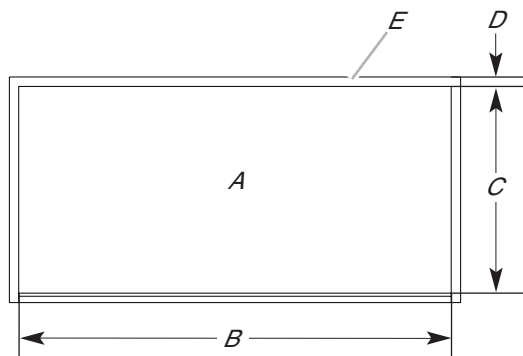
Le non-respect de cette instruction peut causer une blessure au dos ou d'autre blessure.

4. À l'aide de deux personnes ou plus, soulever la hotte et la poser sur la surface couverte.

Ouverture découpée du placard pour la hotte

1. Utiliser une scie sauteuse ou scie à guichet pour découper une ouverture dans le fond du placard, à l'intérieur du cadre du placard.

REMARQUE : Pour les placards sans cadres, un rebord avant et arrière de 3/4" (19 mm) est nécessaire pour former un cadre dans le fond du placard. Une tringle d'appui de 3/4" (19 mm) d'épaisseur (non fournie) sera peut-être nécessaire pour certains types de placards. (Voir l'étape 3 de la section "Installation de la hotte".)



- A. Ouverture dans le fond du placard
- B. Le découpage du fond du placard doit être en affleurement avec les parois internes du placard.
- C. 10 7/8" (27,6 cm) min. depuis l'intérieur de la partie avant du placard
- D. Min. 3/8" (9,5 mm), face avant de 3/4" (19 mm) de largeur requise pour le fond de l'armoire
- E. Avant du placard

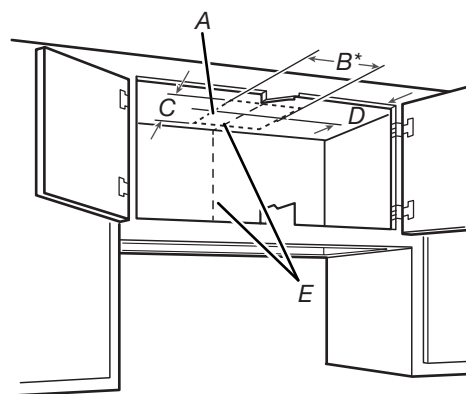
2. Terminer la préparation du placard conformément aux instructions correspondant au type d'évacuation du domicile. Déterminer l'emplacement des ouvertures d'aération et découper les ouvertures dans les placards, les murs et/ou les soffites.

Décharge à l'extérieur, à travers le toit

1. Relever les mesures appropriées et tracer les lignes indiquées sur l'illustration. Utiliser une scie sauteuse ou une scie à guichet pour découper une ouverture à travers le sommet du placard et le toit pour l'évacuation.

Graphique découpé

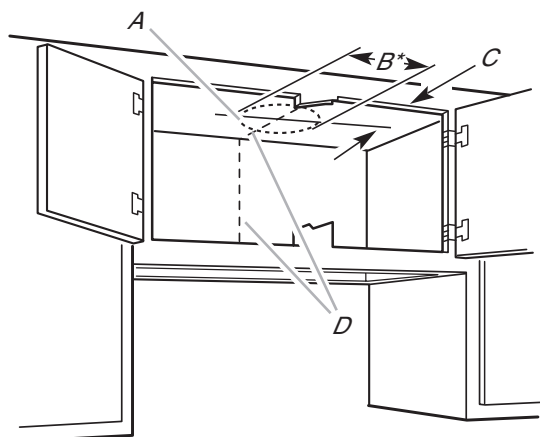
Hauteur du Cabinet	Forme et taille du trou
12" (30.5 cm)	A 8 17/64" large x 6 1/4" de profondeur (21 cm x 15,9 cm), une ouverture rectangulaire dans la partie supérieure de l'armoire est requise pour le dégagement de transition de l'amortisseur.



- A. Ouverture
- B. 8 17/64" (21 cm)
- C. 6 1/4" (15,9 cm)
- D. 6 1/16" (17 cm) de la paroi avant de l'armoire côté intérieur
- E. Ligne centrale

Hauteur de l'armoire	Forme et taille du trou
----------------------	-------------------------

15" (38,1 cm)	Une ouverture ronde de 6¼" (15,9 cm) de diamètre est nécessaire.
---------------	--



A. Ouverture
 B. Ø 6¼" (15,9 cm)
 C. Ligne centrale de 7½" (19 cm) au devant de l'armoire
 D. Ligne centrale

Hauteur de l'armoire	Forme et taille du trou
----------------------	-------------------------

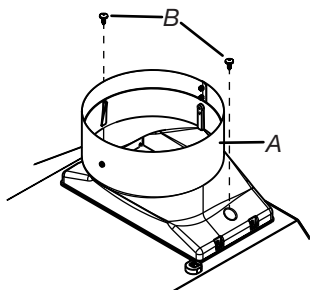
18" (45,7 cm) ou 24" (61,0 cm)	Une ouverture ronde de 5¾" (14,6 cm) de diamètre est nécessaire.
--------------------------------	--

Pour les installations non ventilées (recirculation), la hotte peut être évacuée à l'intérieur par le haut de l'armoire.

Pour les installations non ventilées (recirculation), des filtres à charbon sont nécessaires. Pour plus d'informations sur l'installation des filtres à charbon, reportez-vous à la section "Entretien de la hotte". Le kit de recirculation W10272068 doit être utilisé. Voir la section "Assistance ou service" pour commander.

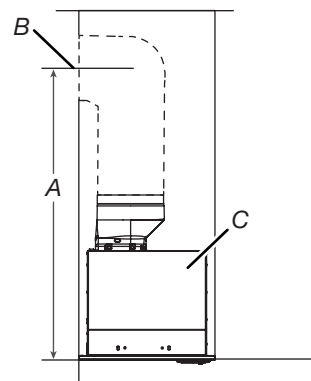
Décharge à l'extérieur par le mur

1. Installez la transition sur le dessus du capot (si retiré pour l'expédition) avec deux vis en tôle 3,5 x 9,5 mm.



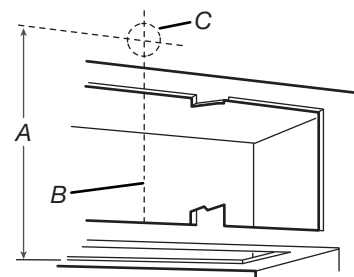
A. Transition de ventilation
 B. 3,5 x 9,5 mm vis

2. Assemblez le conduit d'évacuation que vous utiliserez pendant la transition de ventilation de 6" (15,2 cm). Mesurez depuis le fond de la doublure du capot jusqu'à la ligne centrale horizontale de l'ouverture de ventilation (A).



A. Mesure A
 B. Ligne centrale horizontale de l'ouverture de ventilation
 C. Doublure de hotte de cuisine

3. Retirez le conduit de ventilation de la doublure du capot. Transférez la mesure A sur la paroi arrière de l'armoire. Mesurez en dessous de l'armoire.
4. Marquez la découpe comme indiqué. Utilisez une scie à sabre ou une scie à trou de serrure pour couper une ouverture ronde dans le haut de l'armoire et le mur extérieur pour l'évent.

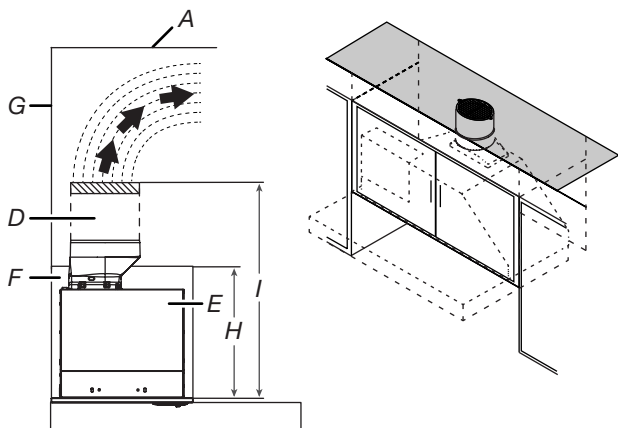


A. Mesure A
 B. Ligne centrale
 C. Ouverture rond de 6¼" (15,9 cm)

Installation sans décharge à l'extérieur à travers le soffite/armoire

À travers le haut de l'armoire :

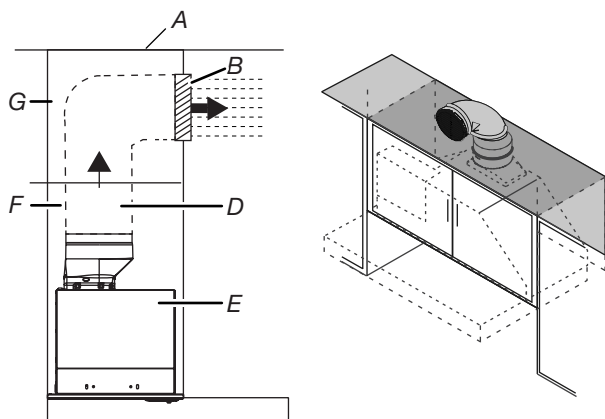
Recirculant à travers la paroi supérieure de l'armoire



- A. Plafond
- B. Grille de recirculation
- C. Soffite
- D. Système de ventilation ronde de 6" (15,2 cm)
- E. Hotte de cuisine
- F. Armoire
- G. Mural
- H. 12" (30,5 cm) min. hauteur de l'armoire
- I. 17" (43,2 cm) min. hauteur de l'évent

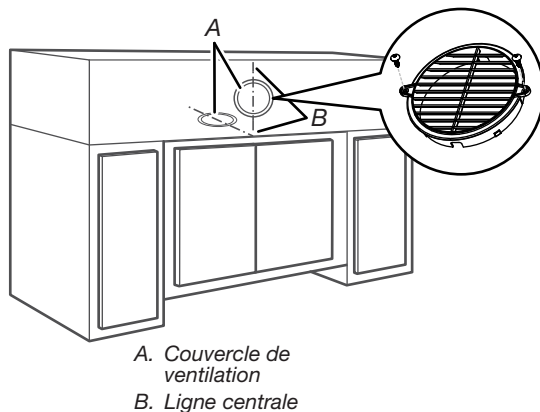
À travers le soffite :

Recirculant à travers le soffite



- A. Plafond
- B. Grille de recirculation
- C. Soffite
- D. Système de ventilation ronde de 6" (15,2 cm)
- E. Hotte de cuisine
- F. Armoire
- G. Mural

5. Mesurez et marquer l'axe de l'armoire sur le soffite ci-dessus.
6. Mesurez du bas de l'armoire à l'axe de l'endroit où l'évacuation viendra à travers le mur de la soffite ou du cabinet. Marquez l'emplacement et utilisez une scie à sabre ou une scie à trou de serrure pour couper un trou de 5 3/4" (14,6 cm) pour le couvercle de ventilation.



- A. Couvercle de ventilation
- B. Ligne centrale

REMARQUE : Pour les armoires de 12" (30,5 cm), une ouverture rectangulaire de 6 1/4" de profondeur x 8 po de largeur (14,6 cm x 20,3 cm) dans le placard est requise pour le dégagement de transition de l'amortisseur.

7. Considérez les mesures du diagramme de découpe pour faire les ouvertures sur le meuble.

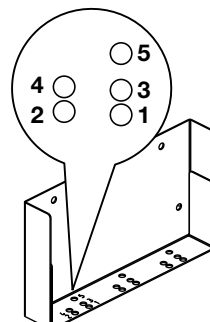
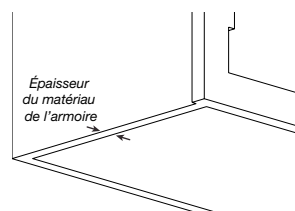
REMARQUE : Les armoires de 12 po (30,5 cm) sans cailloux peuvent permettre de voir le conduit d'évent et de ventilation de 6 po (15,2 cm).

Achever la préparation

Configuration des supports d'installation

Pour assembler les supports d'installation, vous devez considérer l'épaisseur du meuble et l'épaisseur de votre armoire (30" [76,2 cm] ou 36" [91,44 cm]).

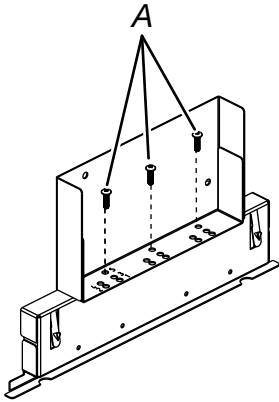
1. Mesurez l'épaisseur du matériau de votre armoire, puis localisez les trous d'installation du support en fonction de l'épaisseur de votre armoire (voir le tableau ci-dessous).



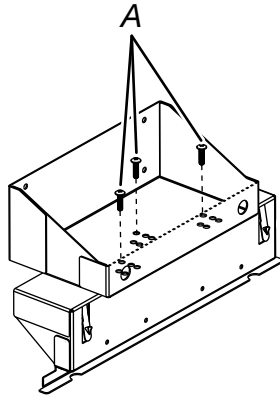
Marques de trous d'installation	Épaisseur de l'armoire
1	3/8"
2	1/2"
3	5/8"
4	3/4"
5	1"

2. Orientez les supports selon la largeur (30 "ou 36") de votre armoire comme illustré dans les images ci-dessous, puis fixez-les avec trois vis de 4 x 15 mm sur le trou d'épaisseur sélectionné.

Armoire de 30" de largeur

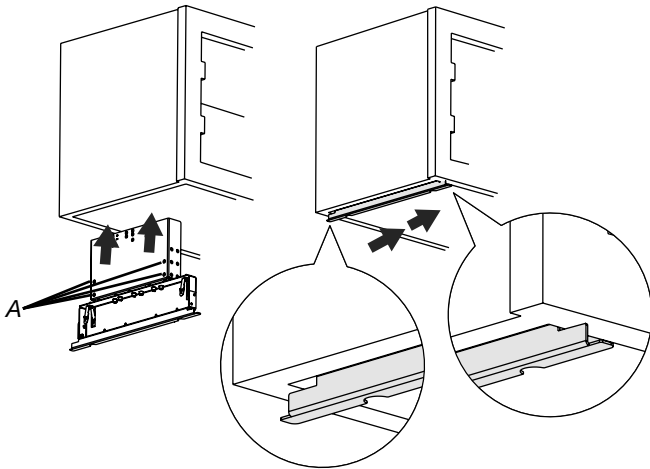


Armoire de 36" de largeur



A. 4 x 15 mm vis

3. À l'aide du support en tant que modèle, marquez quatre points de chaque côté de l'armoire pour forer des trous pilotes de 1/8" (3 mm)..



A. Trous pilotes

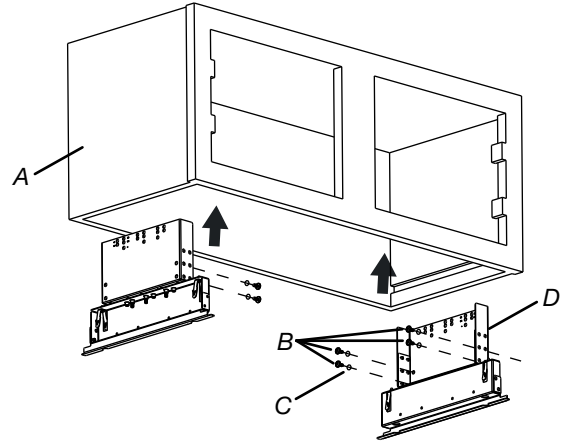
REMARQUE : Alignez le support avec l'avant et l'arrière de l'armoire et assurez-vous que le bas du support est bien serré contre le bas de l'armoire.

4. Fixez un support à l'aide de quatre vis de 4,5 x 13 mm de chaque côté de l'armoire et serrez.

Les rondelles supplémentaires dans le paquet matériel sont fournies en entretoises pour les parois de l'armoire plus fines que 1/2" (13 mm)..

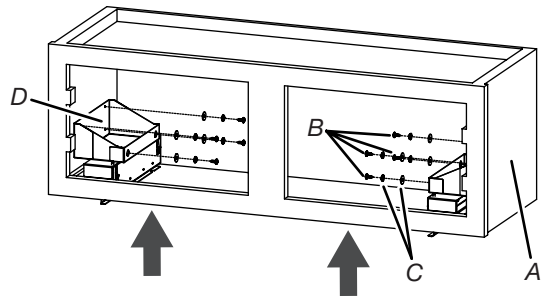
5. Achever l'installation du système d'évacuation

Orientation du support pour l'armoire de 30" (76,2 cm)



- A. 30" (76,2 cm) armoire
 B. Vis - 4,5 x 13 mm (8)
 C. Rondelles (facultatif)
 D. Support de montage (4)
 (Position pour 30" [76,2 cm] armoire)

Bracket Orientation for 36" (91.4 cm) Cabinet



- A. 36" (91,4 cm) armoire
 B. Vis - 4,5 x 13 mm (8)
 C. Rondelles (facultatif)
 D. Support de montage (4) (Position pour 36" [91,4 cm] armoire)

conformément à la méthode d'évacuation sélectionnée.

6. Utilisez le calfeutrage pour sceller l'extérieur ou l'ouverture du toit.

Installation de la hotte

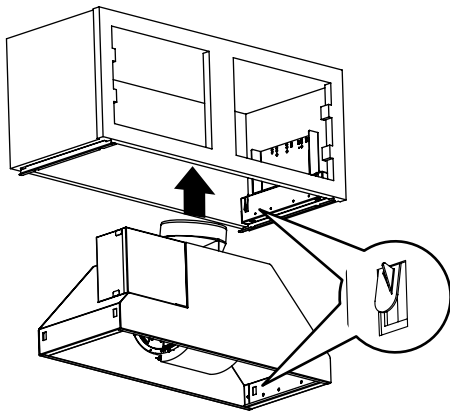
AVERTISSEMENT

Risque du poids excessif

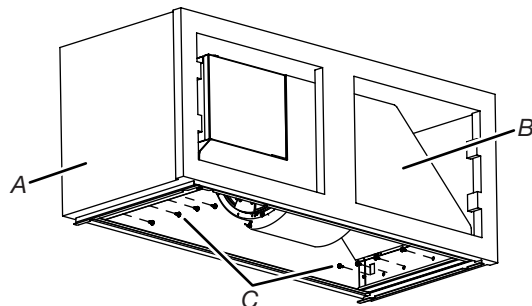
Utiliser deux ou plus de personnes pour déplacer et installer la hotte de la cuisinière.

Le non-respect de cette instruction peut causer une blessure au dos ou d'autre blessure.

1. À l'aide d'au moins deux personnes, soulevez le revêtement du capot dans l'armoire jusqu'à ce qu'il s'enclenche dans les 4 crochets situés sur les supports de montage. Le revêtement du capot restera suspendu.



2. Fixez les vis de 4,2 x 8 mm (8) dans les ouvertures à fentes. Ne pas complètement serrer les vis.



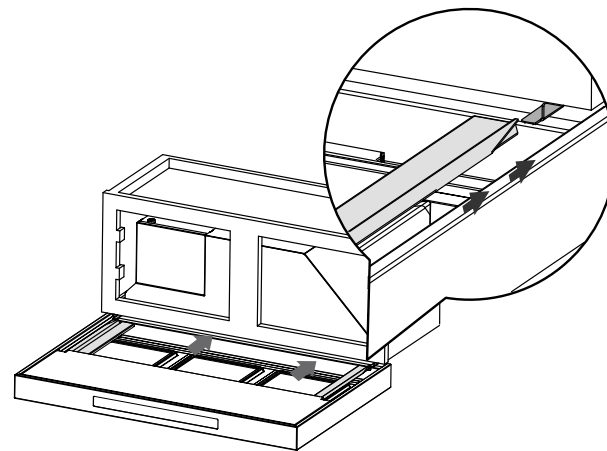
A. Cabinet

B. Ensemble de canopée de doublure

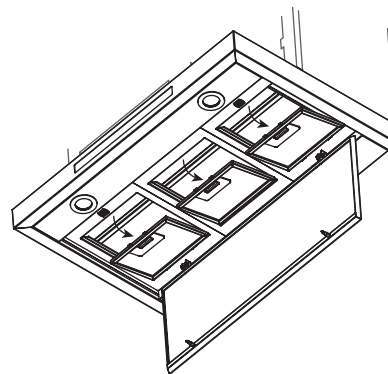
C. Vis - 4,2 x 8 mm (8)

3. Centrez la canopée dans l'armoire. Alignez le fond de la canopée avec le bas de l'armoire. Installez les vis T20® de 4,2 x 8 mm dans le support de montage et serrez toutes les vis de montage.

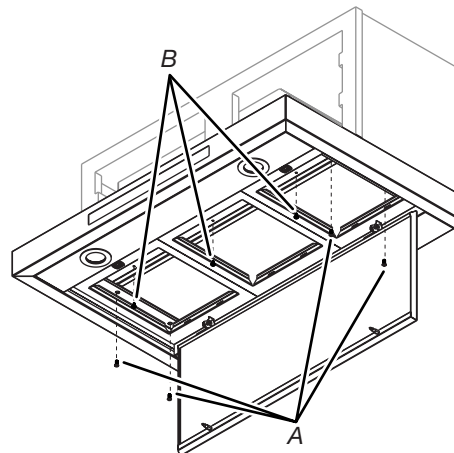
4. Placez l'ensemble de canopée inférieur à l'avant de l'armoire et faites-le glisser à travers le support comme indiqué sur la illustration.



5. Ouvrez le panneau périphérique et retirez les filtres à graisse métallique de l'ensemble inférieur de la canopée.



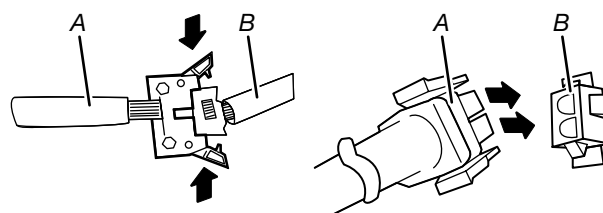
6. Fixez l'ensemble de couvert inférieur à la hotte à l'aide des vis 4 x 15 mm et 4,5 x 13 mm comme indiqué sur le schéma ci-dessous pour fixer le panneau. Serrez pour sécuriser.



A. Vis - 4 x 15 mm (4)

B. Vis - 4,5 x 13 mm (3)

7. Branchez les lampes et les connecteurs de fil de commande de l'ensemble de voilure inférieure dans les connecteurs situés à l'intérieur de la doublure du capot.



A. Fil de commande
B. Fil de boîte de moteur

A. Fil de lampe
B. Fil de boîte de moteur

Raccordement du conduit d'évacuation

Installations ventilées

1. Connectez le système d'évent à l'ouverture de ventilation du capot. Assurer l'étanchéité de chaque connexion avec du pinces.
-

Installation sans décharge à l'extérieur (recyclage)

1. Connectez le système d'évent à l'ouverture de ventilation du capot. Assurer l'étanchéité de chaque connexion avec du pinces.
2. Installez le couvercle d'évent qui est inclus avec le kit d'accessoires de recirculation.
3. Installer les filtres à charbon. Voir la section "Entretien de la hotte".
Pour commander un ensemble de filtre à charbon de rechange, voir la section "Assistance ou service".

Fin de l'installation

1. Réinstaller le filtre à graisse. Voir la section "Entretien de la hotte".

AVERTISSEMENT



Risque de choc électrique

Brancher sur une prise à 3 alvéoles reliée à la terre.

Ne pas enlever la broche de liaison à la terre.

Ne pas utiliser un adaptateur.

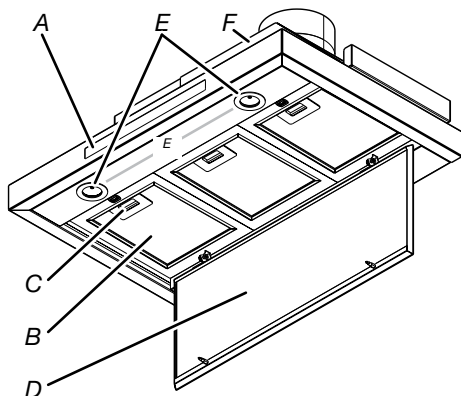
Ne pas utiliser un câble de rallonge.

Le non-respect de ces instructions peut causer un décès, un incendie ou un choc électrique.

2. Branchez le cordon d'alimentation à 3 alvéoles dans une prise de mise à la terre à 3 alvéoles à l'intérieur de l'armoire au-dessus du capot.
3. Contrôler le fonctionnement du ventilateur et de l'éclairage de la hotte. Voir la section "Utilisation de la hotte".
Si la hotte ne fonctionne pas, déterminer si un disjoncteur s'est ouvert ou si un fusible du domicile est grillé.
REMARQUE : Pour pouvoir tirer le plus grand parti de la nouvelle hotte de cuisinière, lire la section "Utilisation de la hotte".
4. Réinstallez les portes de l'armoire si elles sont retirées.
Utilisez les instructions de montage fournies avec l'armoire.

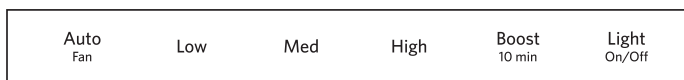
UTILISATION DE LA HOTTE

La hotte de cuisinière est conçue pour extraire fumée, vapeurs de cuisson et odeurs de la zone de la table de cuisson. Pour des résultats optimaux, mettre la hotte en marche avant d'entreprendre une cuisson, et la laisser fonctionner pendant plusieurs minutes après une cuisson afin d'évacuer toute odeur de cuisson et fumée de la cuisine. Les commandes du capot sont situées à l'avant de la hotte.



- A. Contrôles des lampes LED et ventilateur
B. Filtre à graisse
C. Poignée du filtre à graisse
D. Couverture périphérique
E. Lumières LED
F. Doublure de capuche

Commandes de la hotte



REMARQUES :

- Pour activer les commandes, appuyez et relâchez le bouton désiré.
- Le bouton de fonction de commande s'allume lorsqu'une fonction de contrôle est activée.

Mode veille

La hotte s'arrête automatiquement au mode veille lorsqu'il n'est pas utilisé. Après 10 minutes d'absence de capot, tous les témoins du bouton de commande s'éteignent. Pour désactiver le mode veille, appuyez sur n'importe quel bouton.

Auto Sense (sens automatique)

- Auto Sense permet au ventilateur de la hotte d'allumage de s'allumer automatiquement lorsqu'il détecte une chaleur supérieure à la limite de température admissible.
- Lorsque Auto Sense est activé, la vitesse du ventilateur augmente ou diminue en fonction de la température que détecte Auto Sense.
- Le sens automatique peut être augmenté manuellement en appuyant sur une vitesse de ventilateur plus élevée. Le ventilateur fonctionnera à la vitesse sélectionnée pendant 10 minutes avant de revenir à la vitesse sélectionnée pour Auto Sense.
- Si Auto Sense est activé, le voyant du bouton Auto Fan s'éteint et passe en mode veille lorsque le capot de ventilation n'est pas utilisé. Si le capot de ventilation est activé par le consommateur ou par Auto Sense, le voyant du bouton Auto Fan s'allume.

Pour régler le sens automatique :

- Appuyez sur AUTO Fan.

Pour sélectionner table de cuisson type Auto Sense (sens automatique) :

REMARQUE : Le capot de gamme est réglé en usine pour le mode de cuisson au gaz.

- Maintenez la touche AUTO Fan enfoncée pendant 5 secondes pour passer de la table de cuisson au gaz et des modes de cuisson électriques.
- Le voyant du bouton Auto Fan clignote 5 fois lorsque la hotte est changée en mode de cuisson électrique. Auto Sense est maintenant configuré pour fonctionner avec des tables de cuisson électriques et des gammes.
- Le voyant du bouton Auto Fan clignote trois fois lorsque la hotte est changée en mode cuisinière au gaz. Auto Sense est maintenant configuré pour fonctionner avec des tables de cuisson et des gammes de gaz.
- La modification du type de la table de cuisson changera la limite de température pour le sens automatique pour allumer. Lorsque le capot de gamme détecte une température suffisamment élevée, le ventilateur démarre automatiquement.
- Lorsque la température descend en dessous de la limite de température réglée, le ventilateur s'arrête automatiquement. Le voyant du bouton Auto Fan s'éteint après que le capot est en mode veille, mais le sens automatique est toujours actif.

Pour désactiver le sens automatique :

- Si le bouton Auto est allumé, appuyez une fois sur AUTO Fan pour désactiver Auto Sense. Le voyant du bouton Auto Fan s'éteint.
- Si Auto Sense est en mode veille, appuyez une fois sur AUTO Fan pour désactiver le mode veille et allumer le voyant du bouton Auto Fan.
- Appuyez de nouveau sur AUTO Fan pour désactiver Auto Sense et éteignez le voyant du bouton Auto Fan.
- Auto Sense s'éteindra automatiquement après deux heures d'absence d'activation du système Auto Sense. Pour réinitialiser le sens automatique, appuyez sur AUTO Fan.

Fonctions de ventilation manuelles

Vitesses du ventilateur

Low (vitesse inférieure) Appuyer sur LOW (vitesse inférieure) pour mettre en marche le ventilateur à basse vitesse.

Med (vitesse modérée) Appuyer sur MED (vitesse modérée) pour mettre en marche le ventilateur à vitesse moyenne.

Hi (vitesse supérieure) Appuyer sur HI (vitesse supérieure) pour mettre en marche le ventilateur à grande vitesse.

Boost (niveau optimal) Appuyer sur BOOST (niveau optimal) pour mettre en marche le ventilateur à vitesse maximale. S'arrête automatiquement au bout de 10 minutes, et la vitesse du ventilateur se règle sur vitesse supérieure.

Minuterie

La hotte peut être réglée pour s'éteindre automatiquement après 15 minutes.

1. Maintenir enfoncé le bouton de la vitesse de ventilateur désirée pendant 2 secondes.

Le moteur du ventilateur fonctionne alors à la vitesse sélectionnée pendant 15 minutes et le témoin lumineux de la vitesse du ventilateur clignote en continu.

Après 15 minutes, le ventilateur s'éteint automatiquement.

- Appuyez de nouveau sur la touche de vitesse du ventilateur désirée lorsque la minuterie du ventilateur fonctionne pour annuler la minuterie du ventilateur.

REMARQUE : La modification de la vitesse du ventilateur ou la mise en veille du sens automatique annulent également la minuterie de 15 minutes.

LIGHT (Lumière)

La hotte offre à la fois une tâche et un éclairage ambiant.

Pour faire fonctionner les lumières :

- Touchez LIGHT (Lumière) une fois pour allumer les lumières de la LED à un réglage élevé.
- Appuyez de nouveau sur LIGHT (Lumière) pour allumer les lumières de la LED à faible réglage.
- Touchez LIGHT (Lumière) une troisième fois pour éteindre les voyants DEL.

ENTRETIEN DE LA HOTTE

Nettoyage

IMPORTANT : Nettoyer fréquemment la hotte et les filtres à graisse en suivant les instructions suivantes. Replacer le filtre à graisse avant d'utiliser à nouveau la hotte.

Surfaces extérieures :

IMPORTANT : Afin éviter d'endommager la surface extérieure, ne pas utiliser de laine d'acier ou des tampons à récurer savonnés.

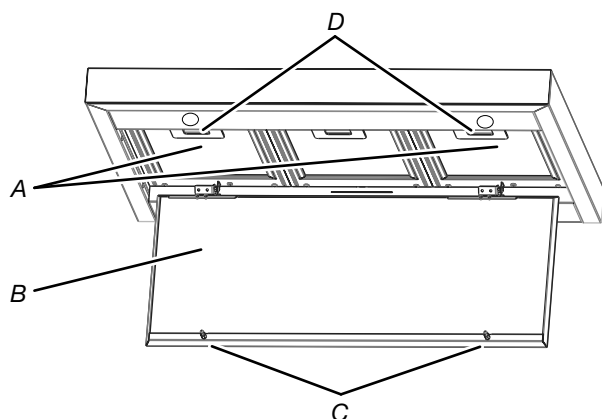
Toujours essuyer avec une éponge ou un linge propre mouillé et sécher à fond pour éviter les rayures et les taches.

Méthode de nettoyage :

- Détergent liquide ou nettoyant tout usage
- Essuyer avec un chiffon doux humide ou une éponge non abrasive, puis rincer avec de l'eau propre et essuyer.

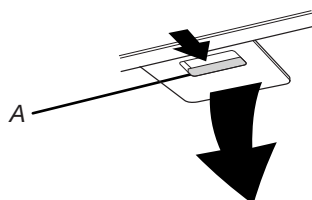
Filtre à graisse métallique

- Ouvrez le panneau. Saisissez le panneau sur les coins avant et tirez vers le bas pour désengager les deux broches de prise des prises de ressort. Le panneau est attaché à l'arrière et tourne vers le bas.



- A. Filtres en métal
- B. Panneau en acier inoxydable
- C. Broches (2)
- D. le loquet (2)

- Retirer chaque filtre en tirant sur la poignée à ressort puis en tirant le filtre vers le bas.



A. Poignées à ressort

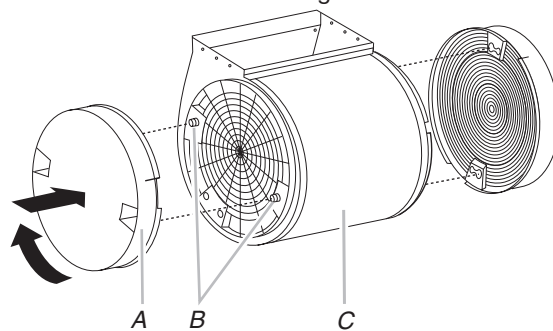
- Laver les filtres métalliques selon le besoin au lave-vaisselle ou dans une solution de détergent chaude.
- Réinstaller le filtre en s'assurant que les poignées à ressort sont orientées vers l'avant. Insérez le filtre à graisse métallique dans la piste supérieure.
- Tirez la poignée de dégagement du ressort vers le bas.
- Pousser le filtre métallique vers le haut et relâcher la poignée pour l'emboîter.
- Répéter les étapes 1 à 5 pour l'autre filtre.
- Fermez le panneau. Engagez les deux broches dans les prises de ressort pour sécuriser.

Filtres d'installation non ventilés (recirculation) :

Le filtre à charbon n'est pas lavable. Celui-ci devrait à une autonomie de 6 mois dans des conditions d'utilisation normales. Remplacer par un ensemble de filtre à charbon. Consulter la section "Accessoires" pour connaître le processus de commande.

Pour remplacer le filtre à charbon :

- Couvrez la grille qui couvre le moteur du souffleur avec le filtre à charbon afin que les fentes du filtre correspondent aux broches sur les côtés de la grille du moteur.



- A. Filtre à charbon
- B. Broches
- C. Moteur de ventilateur

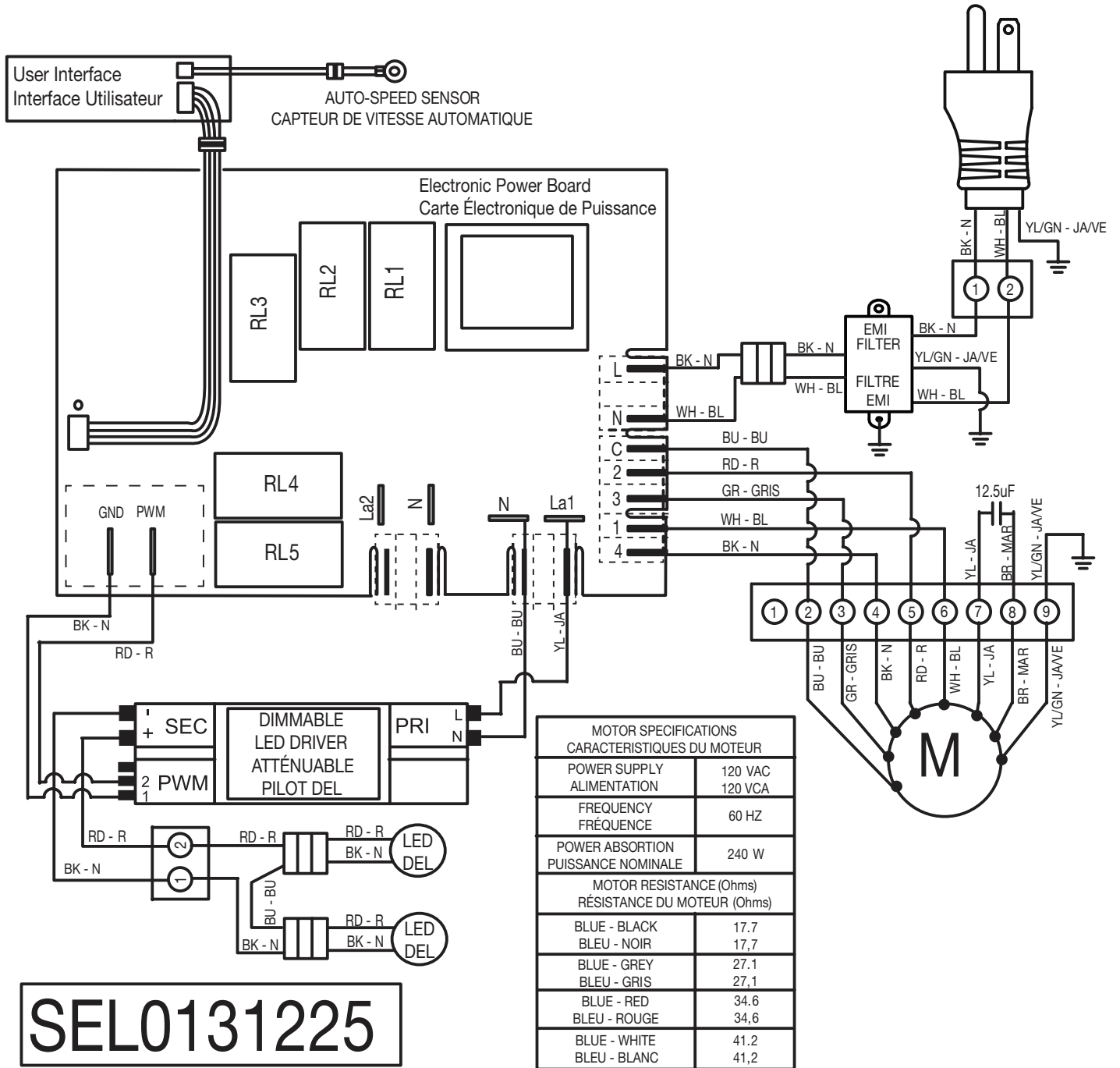
- Tournez le filtre à charbon dans le sens des aiguilles d'une montre pour le verrouiller.
- Répéter les étapes 1 à 2 pour l'autre filtre.

Remplacement d'une lampe DEL

Les lampes DEL doivent être remplacées par un technicien de service qualifié uniquement.

Voir la section "Assistance et service" pour obtenir les coordonnées d'entretien.

SCHÉMA DE CÂBLAGE



MOTOR SPECIFICATIONS CARACTERISTIQUES DU MOTEUR	
POWER SUPPLY ALIMENTATION	120 VAC 120 VCA
FREQUENCY FRÉQUENCE	60 HZ
POWER ABSORTION PUISSANCE NOMINALE	240 W
MOTOR RESISTANCE (Ohms) RÉSISTANCE DU MOTEUR (Ohms)	
BLUE - BLACK BLEU - NOIR	17.7
BLUE - GREY BLEU - GRIS	27.1
BLUE - RED BLEU - ROUGE	34.6
BLUE - WHITE BLEU - BLANC	41.2

SEL0131225

ASSISTANCE OU SERVICE

Si vous avez besoin de service

Consultez la page de garantie du présent manuel.

Si vous avez besoin de pièces de rechange :

Pour commander des pièces de rechange, nous vous recommandons d'utiliser seulement des pièces spécifiées par l'usine. Les pièces spécifiées par l'usine conviendront et fonctionneront bien, car elles sont fabriquées selon la même précision que celle utilisée pour fabriquer chaque nouvel appareil.

Pour obtenir des pièces de remplacement spécifiées par l'usine dans votre région, composer le numéro de téléphone d'aide à la clientèle suivant ou appeler le centre de service désigné le plus proche.

Aux É.-U.

Téléphoner sans frais au Centre pour l'eXpérience de la clientèle de Whirlpool au : **1-800-253-1301** ou visitez notre site Web www.whirlpool.com.

Nos conseillers peuvent vous aider sur les points suivants :

- Programmation d'une intervention de dépannage. Les techniciens de service désignés par Whirlpool sont formés pour remplir la garantie des produits et fournir un service après garantie partout aux États-Unis.
- Caractéristiques et spécifications de notre gamme complète d'appareils ménagers.
- Références aux revendeurs locaux.
- Renseignements sur l'installation.
- Procédures d'utilisation et d'entretien.
- Vente d'accessoires et de pièces de rechange.
- Assistance spécialisée au client (langue espagnole, malentendants, malvoyants, etc.).

Pour plus d'assistance :

Pour obtenir plus d'aide, écrire à Whirlpool Corporation et soumettre toute question ou tout problème à :

Whirlpool Brand Home Appliances
Customer eXperience Center
553 Benson Road
Benton Harbor, MI 49022-2692

Ne pas oublier d'indiquer dans votre correspondance un numéro de téléphone où l'on peut vous joindre dans la journée.

Au Canada

Téléphoner sans frais au Centre pour l'eXpérience de la clientèle canadienne de Whirlpool au : **1 800 807-6777** ou visitez notre site Web www.whirlpool.ca.

Nos conseillers peuvent vous aider sur les points suivants :

- Programmation d'une intervention de dépannage. Les techniciens de service désignés de Whirlpool sont formés pour remplir la garantie des produits et fournir un service après la garantie, partout au Canada.
- Caractéristiques et spécifications de notre gamme complète d'appareils ménagers.
- Références aux revendeurs Whirlpool locaux.
- Procédures d'utilisation et d'entretien.
- Vente d'accessoires et de pièces de rechange.
- Orientation vers des revendeurs, distributeurs de pièces de rechange et services de réparation locaux.

Pour plus d'assistance :

Pour obtenir plus d'assistance, écrire à Whirlpool Canada LP et soumettre toute question ou tout problème à :

Whirlpool Brand Home Appliances
Customer eXperience Centre
Whirlpool Canada LP
200 - 6750 Century Ave.
Mississauga, Ontario L5N 0B7

Ne pas oublier d'indiquer dans votre correspondance un numéro de téléphone où l'on peut vous joindre dans la journée.

Accessoires

Ensemble de recyclage

(pour installations sans décharge à l'extérieur uniquement)
Commander la pièce numéro W10490330

Filtres à charbon de rechange

(pour installations sans décharge à l'extérieur uniquement)
Commander la pièce numéro W10272068

GARANTIE LIMITÉE DES GROS APPAREILS MÉNAGERS WHIRLPOOL®

ATTACHEZ ICI VOTRE REÇU DE VENTE. UNE PREUVE D'ACHAT EST OBLIGATOIRE POUR OBTENIR L'APPLICATION DE LA GARANTIE.

Lorsque vous appelez le centre d'expérience de la clientèle, veuillez garder à disposition les renseignements suivants :

- Nom, adresse et numéro de téléphone
- Numéros de modèle et de série
- Une description claire et détaillée du problème rencontré
- Une preuve d'achat incluant le nom et l'adresse du marchand ou du détaillant

SI VOUS AVEZ BESOIN DE SERVICE :

1. Avant de nous contacter pour obtenir un dépannage, veuillez déterminer si des réparations sont nécessaires pour votre produit. Certains problèmes peuvent être résolus sans intervention de dépannage. Prenez quelques minutes pour parcourir la section Dépannage ou Résolution de problèmes du guide d'utilisation et d'entretien, scannez le code QR ci-contre avec votre téléphone intelligent pour accéder à des ressources supplémentaires, ou rendez-vous sur le site <http://www.whirlpool.ca>.

2. Tout service sous garantie doit être effectué exclusivement par nos fournisseurs de dépannage autorisés Whirlpool. Aux É.-U. et au Canada, dirigez toutes vos demandes de service sous garantie au

Centre d'expérience de la clientèle Whirlpool

Aux É.-U., composer le 1-800-253-1301. Au Canada, composer le 1-800-807-6777.

Si vous résidez à l'extérieur du Canada et des 50 États des États-Unis, contactez votre marchand Whirlpool autorisé pour déterminer si une autre garantie s'applique.



<http://www.whirlpool.ca>

GARANTIE LIMITÉE DE UN AN

CE QUI EST COUVERT

Pendant un an à compter de la date d'achat, lorsque ce gros appareil ménager est installé, utilisé et entretenu conformément aux instructions jointes à ou fournies avec le produit, Whirlpool Corporation ou Whirlpool Canada, LP (ci-après désignées "Whirlpool") décidera à sa seule discrétion de remplacer le produit ou de couvrir le coût des pièces spécifiées par l'usine et de la main-d'œuvre nécessaires pour corriger les vices de matériaux ou de fabrication qui existaient déjà lorsque ce gros appareil ménager a été acheté. S'il est remplacé, l'appareil sera couvert pour la période restant à courir de la garantie limitée d'un an du produit d'origine.

LE SEUL ET EXCLUSIF RECOURS DU CLIENT DANS LE CADRE DE LA PRÉSENTE GARANTIE LIMITÉE CONSISTE EN LA RÉPARATION PRÉVUE PAR LA PRÉSENTE. Le service doit être fourni par une compagnie de service désignée par Whirlpool. Cette garantie limitée est valide uniquement aux États-Unis ou au Canada et s'applique exclusivement lorsque le gros appareil ménager est utilisé dans le pays où il a été acheté. La présente garantie limitée est valable à compter de la date d'achat initial par le consommateur. Une preuve de la date d'achat initial est exigée pour obtenir un dépannage dans le cadre de la présente garantie limitée.

CE QUI N'EST PAS COUVERT

1. Usage commercial, non résidentiel ou par plusieurs familles, ou non-respect des instructions de l'utilisateur, de l'opérateur ou des instructions d'installation.
2. Visite d'instruction à domicile pour montrer à l'utilisateur comment utiliser l'appareil.
3. Visites de service pour rectifier une installation ou un entretien fautifs du produit, une installation non conforme aux codes d'électricité ou de plomberie, ou la rectification de l'installation électrique ou de la plomberie du domicile (ex : câblage électrique, fusibles ou tuyaux d'arrivée d'eau du domicile).
4. Pièces consommables (ex : ampoules, batteries, filtres à air ou à eau, solutions de conservation, etc.).
5. Défauts ou dommage résultant de l'utilisation de pièces ou accessoires Whirlpool non authentiques.
6. Conversion de votre produit du gaz naturel ou du gaz de pétrole liquéfié.
7. Dommages causés par : accident, mésusage, abus, incendie, inondations, catastrophe naturelle ou l'utilisation de produits non approuvés par Whirlpool.
8. Réparations aux pièces ou systèmes dans le but de rectifier un dommage ou des défauts résultant d'une réparation, altération ou modification non autorisée faite à l'appareil.
9. Défauts d'apparence, notamment les éraflures, traces de choc, fissures ou tout autre dommage subi par le fini de l'appareil ménager, à moins que ces dommages ne résultent de vices de matériaux ou de fabrication et ne soient signalés à Whirlpool dans les 30 jours suivant la date d'achat.
10. Décoloration, rouille ou oxydation des surfaces résultant d'environnements caustiques ou corrosifs incluant des concentrations élevées de sel, un haut degré d'humidité ou une exposition à des produits chimiques (exemples non exhaustifs).
11. Perte d'aliments ou de médicaments due à la défaillance du produit.
12. Enlèvement ou livraison. Ce produit est conçu pour être réparé à l'intérieur du domicile.
13. Frais de déplacement et de transport pour le dépannage/la réparation dans une région éloignée où une compagnie de service Whirlpool autorisée n'est pas disponible.
14. Retrait ou réinstallation d'appareils inaccessibles ou de dispositifs préinstallés (ex : garnitures, panneaux décoratifs, plancher, meubles, îlots de cuisine, plans de travail, panneaux de gypse, etc.) qui entravent le dépannage, le retrait ou le remplacement du produit.
15. Service et pièces pour des appareils dont les numéros de série et de modèle originaux ont été enlevés, modifiés ou ne peuvent pas être facilement identifiés.

Le coût d'une réparation ou d'un remplacement dans le cadre de ces circonstances exclues est à la charge du client.

CLAUSE D'EXONÉRATION DE RESPONSABILITÉ AU TITRE DES GARANTIES IMPLICITES

LES GARANTIES IMPLICITES, Y COMPRIS LES GARANTIES APPLICABLES DE QUALITÉ MARCHANDE OU D'APTITUDE À UN USAGE PARTICULIER, SONT LIMITÉES À UN AN OU À LA PLUS COURTE PÉRIODE AUTORISÉE PAR LA LOI. Certains États et provinces ne permettent pas de limitation sur la durée des garanties implicites de qualité marchande ou d'aptitude à un usage particulier, de sorte que la limitation ci-dessus peut ne pas être applicable dans votre cas. Cette garantie vous confère des droits juridiques spécifiques et vous pouvez également jouir d'autres droits qui peuvent varier d'une juridiction à l'autre.

EXONÉRATION DE RESPONSABILITÉ DANS LES DOMAINES NON COUVERTS PAR LA GARANTIE

Whirlpool décline toute responsabilité au titre de la qualité, de la durabilité ou en cas de dépannage ou de réparation nécessaire sur ce gros appareil ménager autre que les responsabilités énoncées dans la présente garantie. Si vous souhaitez une garantie plus étendue ou plus complète que la garantie limitée fournie avec ce gros appareil ménager, adressez-vous à Whirlpool ou à votre détaillant pour obtenir les modalités d'achat d'une garantie étendue.

LIMITATION DES RECOURS; EXCLUSION DES DOMMAGES FORTUITS OU INDIRECTS

LE SEUL ET EXCLUSIF RECOURS DU CLIENT DANS LE CADRE DE LA PRÉSENTE GARANTIE LIMITÉE CONSISTE EN LA RÉPARATION PRÉVUE PAR LA PRÉSENTE. WHIRLPOOL N'ASSUME AUCUNE RESPONSABILITÉ POUR LES DOMMAGES FORTUITS OU INDIRECTS. Certains États et certaines provinces ne permettent pas l'exclusion ou la limitation des dommages fortuits ou indirects de sorte que ces limitations et exclusions peuvent ne pas être applicables dans votre cas. Cette garantie vous confère des droits juridiques spécifiques et vous pouvez également jouir d'autres droits qui peuvent varier d'une juridiction à l'autre.

11/14