

Microwave Oven

Installation manual

ME11A7510** / ME11A7710** / ME11CB7510**



SAMSUNG

Contents

Before you begin	2
General information	3
Important safety instructions	3
Electrical requirements	3
Hood exhaust	4
Damage - Shipment/Installation	6
Parts included	6
Tools you will need	7
Mounting space	7
Step-by-step installation guide	9
Step 1. Placement of the mounting plate	9
Step 2. Ventilation types (choose a, b or c)	12
Step 3. Installation	15
Step 4. Before you use your microwave	19

Before you begin

ABOUT THIS MANUAL

READ THESE INSTRUCTIONS COMPLETELY AND CAREFULLY.

Important

- Save these instructions for local inspector's use.
- Observe all governing codes and ordinances.

Important note to the installer

Be sure to leave these instructions with the Consumer.

Important note to the consumer

Keep these instructions with your user manual for future reference.

Skill level

Installation of this appliance requires basic mechanical and electrical skills.

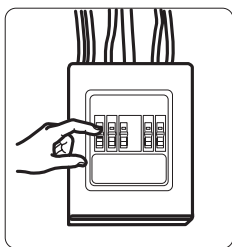
Proper installation is the responsibility of the installer

Product failure due to improper installation is not covered under the Warranty

General information

IMPORTANT SAFETY INSTRUCTIONS

This product requires a three-prong grounded outlet. The installer must perform a ground continuity check on the power outlet box before beginning the installation to ensure that the outlet box is properly grounded. If not properly grounded, or if the outlet box does not meet electrical requirements noted (under ELECTRICAL REQUIREMENTS), a qualified electrician should be employed to correct any deficiencies.



⚠ CAUTION

For personal safety, remove the house fuse or open the circuit breaker before beginning the installation to avoid severe or fatal shock injury.

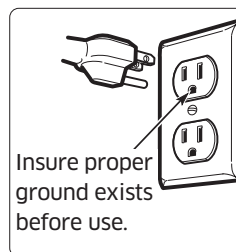
⚠ CAUTION

- For personal safety, the mounting surface must be capable of supporting the cabinet load in addition to the added weight of this 69 pound product, plus additional oven loads of up to 50 pounds or a total weight of 119 pounds.
- For personal safety, do not install this product in cabinetry configured as an island or a peninsula. The microwave oven must be mounted to BOTH a top cabinet AND a wall.

📖 NOTE

For easier installation and personal safety, we recommend that two people install this product.

IMPORTANT - PLEASE READ CAREFULLY. FOR PERSONAL SAFETY, THIS APPLIANCE MUST BE PROPERLY GROUNDED TO AVOID SEVERE OR FATAL SHOCK.



Insure proper ground exists before use.

The power cord of this appliance is equipped with a three-prong (grounding) plug which mates with a standard three-prong (grounding) wall receptacle to minimize the possibility of electric shock hazard from this appliance.

You should have the wall receptacle and circuit checked by a qualified electrician to make sure the receptacle is properly grounded.

If you have a standard two-prong wall receptacle, it is very important to have it replaced with a properly grounded three-prong wall receptacle, installed by a qualified electrician.

DO NOT, UNDER ANY CIRCUMSTANCES, CUT, DEFORM OR REMOVE ANY OF THE PRONGS FROM THE POWER CORD. DO NOT USE WITH AN EXTENSION CORD.

ELECTRICAL REQUIREMENTS

Product rating is 120 volts AC, 60 Hertz. This product must be connected to a supply circuit of the proper voltage and frequency. Wire size must conform to the requirements of the National Electrical Code or the prevailing local code for this kilowatt rating. The power supply cord and plug should be brought to a separate branch circuit single grounded outlet of at least 15 A and max of 20 A. 20 A is recommended for multifamily buildings. The outlet box should be located in the cabinet above the microwave oven. The outlet box and supply circuit should be installed by a qualified electrician and conform to the National Electrical Code or the prevailing local code.

General information




HOOD EXHAUST

NOTE

Read these next two pages only if you plan to vent your exhaust to the outside. If you plan to recirculate the air back into the room, proceed to page 12.

OUTSIDE TOP EXHAUST (EXAMPLE ONLY)

The following chart contains an example of one possible ductwork installation.




DUCT PIECES		EQUIVALENT LENGTH	x	NUMBER USED	=	EQUIVALENT LENGTH	
	Roof Cap	24 ft.	x	(1)	=	24 ft.	
	12 Ft. Straight Duct (6" Round)	12 ft.	x	(1)	=	12 ft.	
	Rectangular-to-Round Transition Adaptor*	5 ft.	x	(1)	=	5 ft.	
Equivalent lengths of duct pieces are based on actual tests and reflect requirements for good venting performance with any vent hood.						Total Length =	41 ft.

IMPORTANT:

If a rectangular-to-round transition adaptor is used, the bottom corners of the damper will have to be cut to fit, using the tin snips, in order to allow free movement of the damper.

OUTSIDE BACK EXHAUST (EXAMPLE ONLY)

The following chart contains an example of one possible ductwork installation.

DUCT PIECES		EQUIVALENT LENGTH	x	NUMBER USED	=	EQUIVALENT LENGTH
	Wall Cap	40 ft.	x	(1)	=	40 ft.
	3 Ft. Straight Duct (3 1/4" x 10" Rectangular)	3 ft.	x	(1)	=	3 ft.
	90° Elbow	10 ft.	x	(2)	=	20 ft.
Equivalent lengths of duct pieces are based on actual tests and reflect requirements for good venting performance with any vent hood.					Total Length =	63 ft.

NOTE

For back exhaust, care should be taken to align the exhaust with the space between studs, or the wall should be prepared at the time it is constructed by leaving enough space between the wall studs to accommodate exhaust.

NOTE

If you need to install ducts, note that the total duct length of 3 ¼" x 10" rectangular or 6" diameter round duct should not exceed 140 equivalent feet.

Outside ventilation requires a HOOD EXHAUST DUCT. Read the following carefully.

NOTE

It is important that venting be installed using the most direct route and with as few elbows as possible. This ensures clear venting of exhaust and helps prevent blockages. Also, make sure dampers swing freely and nothing is blocking the ducts.

Exhaust connection:





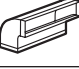



The hood exhaust has been designed to mate with a standard 3 ¼" x 10" rectangular duct.

If a round duct is required, a rectangular-to-round transition adaptor must be used. Do not use less than a 6" diameter duct.

Maximum duct length:

For satisfactory air movement, the total duct length of 3 ¼" x 10" rectangular or 6" diameter round duct should not exceed 140 equivalent feet.

Elbows, transitions, wall and roof caps, etc. present additional resistance to airflow and are equivalent to a section of straight duct which is longer than their actual physical size. When calculating the total duct length, add the equivalent lengths of all transitions and adaptors plus the length of all straight duct sections. The chart below shows you how to calculate total equivalent ductwork length using the equivalent length in feet of some typical ducts.

DUCT PIECES		EQUIVALENT LENGTH	x	NUMBER USED	=	EQUIVALENT LENGTH	
	Rectangular-to-Round Transition Adaptor*	5 ft.	x	()	=	ft.	
	Wall Cap	40 ft.	x	()	=	ft.	
	90° Elbow	10 ft.	x	()	=	ft.	
	45° Elbow	5 ft.	x	()	=	ft.	
	90° Elbow	25 ft.	x	()	=	ft.	
	45° Elbow	5 ft.	x	()	=	ft.	
	Roof Cap	24 ft.	x	()	=	ft.	
	Straight Duct 6" Round or 3 ¼" x 10" Rectangular	1 ft.	x	()	=	ft.	
Total Ductwork						=	ft.



***IMPORTANT:** If a rectangular-to-round transition adaptor is used, the bottom corners of the damper will have to be cut to fit, using tin snips, to allow free movement of the damper. Equivalent lengths of duct pieces are based on actual tests and reflect the requirements for good venting performance with any vent hood.


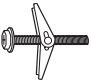

General information

DAMAGE - SHIPMENT/INSTALLATION

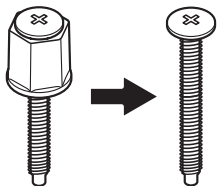
- If the unit is damaged in shipment, return the unit to the store in which it was bought for repair or replacement.
- If the unit is damaged by the customer, repair or replacement is the responsibility of the customer.
- If the unit is damaged by the installer (if other than the customer), repair or replacement must be made by arrangement between the customer and installer.

PARTS INCLUDED

HARDWARE PACKET

PART		QUANTITY
	Wood Screws	1
	Toggle Bolts (and wing nuts)	2
	Self-aligning Machine Screws With Supporter	2

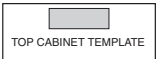
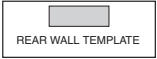
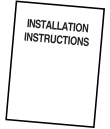
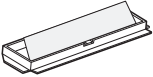


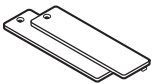

You will find the installation hardware contained in a packet with the unit. Check to make sure you have all these parts.



NOTE

If Cabinet Thickness is over 1", Remove Supporter.

ADDITIONAL PARTS

PART	QUANTITY
	Top Cabinet Template 1
	Rear Wall Template 1
	Installation Instructions 1
	Exhaust Adaptor 1
	Separately Packed Grease Filters 2
	Separately Packed Charcoal Filters 2
	Cover Air-Right 2
	Cover Air-Left 1

TOOLS YOU WILL NEED

10 ¹¹/₁₆"



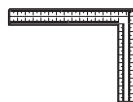
#1 and #2 Phillips screwdriver



Pencil



Ruler or tape measure and straight edge



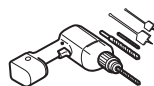
Carpenter square (optional)



Tin snips (for cutting damper, if required)



Scissors (to cut template, if necessary)



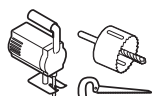
Electric drill with ³/₁₆" , ¹/₂" and ⁵/₈" drill bits



Filler blocks or scrap wood pieces, if needed for top cabinet spacing (used on recessed bottom cabinet installations only)



Gloves



Saw (saber, hole or keyhole)



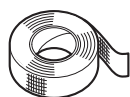
Stud finder or Hammer (optional)



Safety goggles

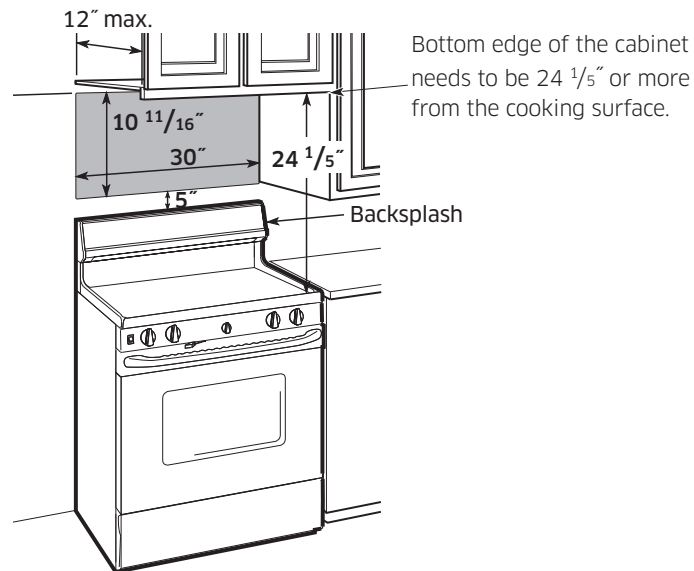


Level



Duct and masking tape

MOUNTING SPACE

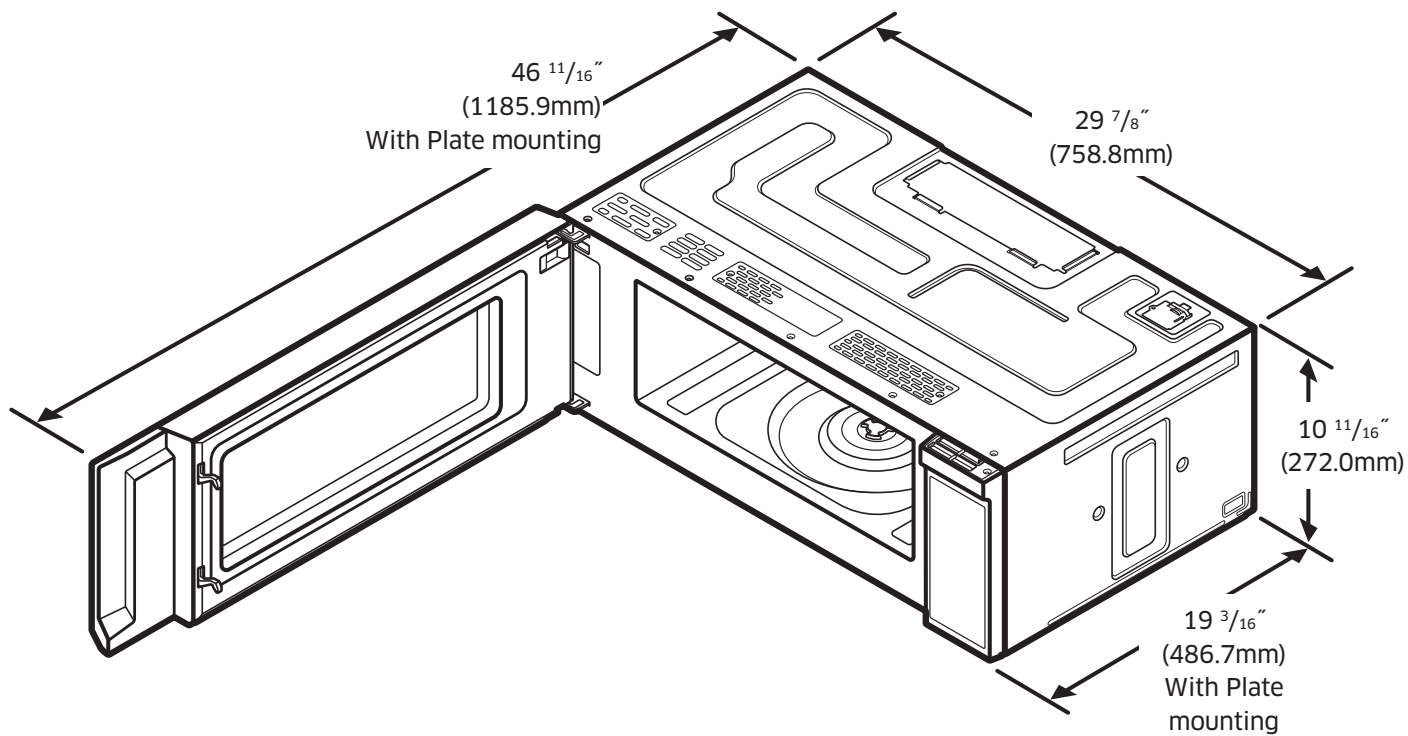


NOTE

- The space between the cabinets must be 30" wide and free of obstructions.
- This microwave oven is for installation over ranges up to 36" wide.
- If you are going to vent your microwave oven to the outside, see the Hood Exhaust Section for exhaust duct preparation.
- If installing the microwave oven beneath smooth flat cabinets, be careful to follow the instructions on the top cabinet template for power cord clearance.
- Maximum cabinet depth above and beside the unit is 12".
- The dimensions provided are the minimum required for mounting the microwave oven. Local codes and the practical use of the range will likely require you to provide more than the 13.5" shown between the range and the bottom of the microwave.

General information

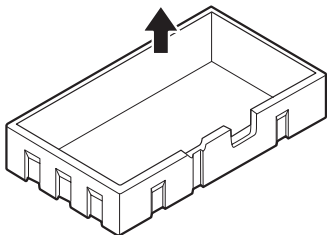
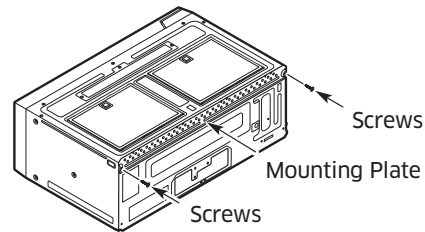
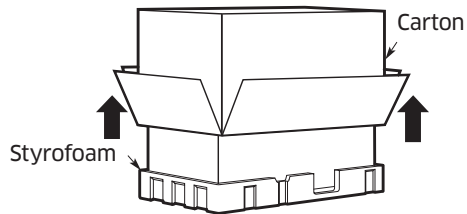
DIMENSION OF PRODUCT



Step-by-step installation guide

Step 1. Placement of the mounting plate

A. Removing the microwave oven from the carton/Removing the mounting plate

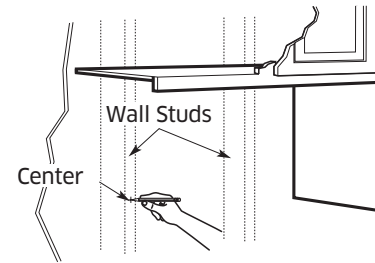


1. Remove the installation instructions, Exhaust Adaptor, filters, glass tray, and the small hardware bag. Do not remove the Styrofoam protecting the front of the oven.
2. Fold back all 4 carton flaps fully against carton sides. Then carefully roll the oven and carton over onto the top side. The oven should be resting in the Styrofoam.
3. Pull the carton up and off the oven.
4. Remove and properly discard plastic bags.
5. Remove the 2 screws from the mounting plate. This plate will be used as the rear wall template and for mounting.

NOTE

Retain the two screws. You will need to re-insert the screws in their original locations after you have removed the mounting plate.

B. Finding the wall studs



1. Find the studs using one of the following methods:
 - A. With a stud finder - a magnetic device which locates nails.

OR
 - B. Use a hammer to tap lightly across the mounting surface until you hear a solid sound. This will indicate a stud location.
2. After locating the stud(s), locate the stud's center by probing the wall with a small nail to find the edges of the stud. Then, place a mark halfway between the edges. The center of any adjacent studs should be 16" or 24" from this mark.
3. Draw a line down the center of the studs.

THE MICROWAVE MUST BE CONNECTED TO AT LEAST ONE WALL STUD.

Step-by-step installation guide

C. Determining wall plate location under your cabinet

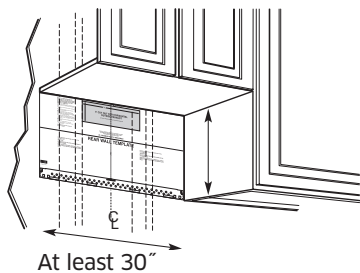


Plate position – beneath a flat bottom cabinet.

Draw a vertical line on the wall at the center of the 30" wide space. Tape the Rear Wall Template onto the wall so that the top of the template touches the bottom of the cabinet and the centerline on the template lines up with the line you drew on the wall.

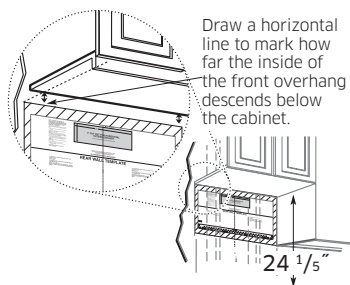


Plate position – beneath a recessed bottom cabinet with a front overhang.

Draw a vertical line on the wall at the center of the 30" wide space. Draw a second, horizontal line on the wall below the cabinet to mark how far the inside of the front overhang descends below the cabinet. Tape the Rear Wall Template onto the wall so that the top of the template touches the bottom of the horizontal line and the centerline on the template lines up with the vertical line.

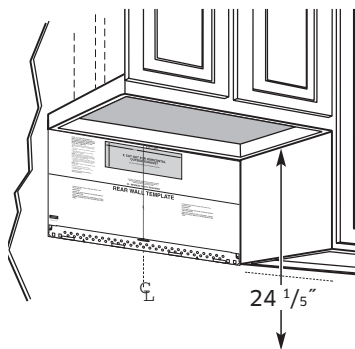


Plate position – beneath a framed recessed cabinet bottom.

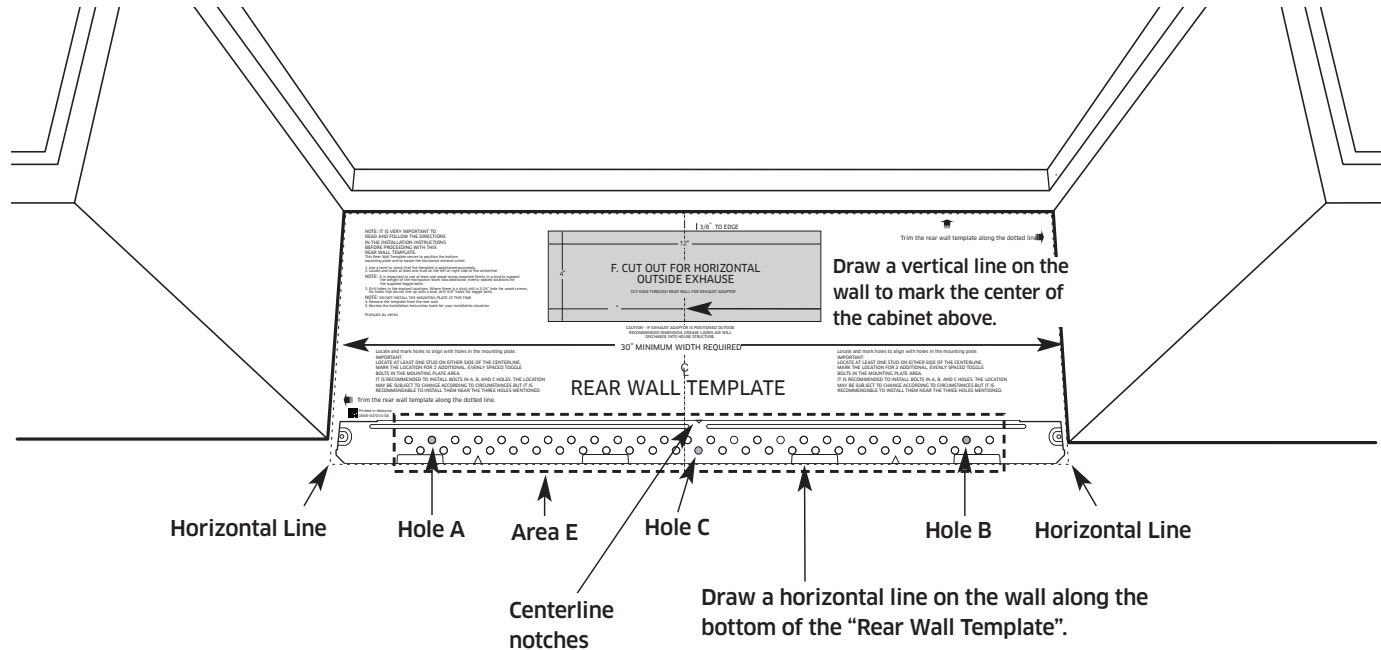
Draw a vertical line on the wall at the center of the 30" wide space. Tape the Rear Wall Template onto the wall so that the top of the template touches the bottom of the cabinet frame and the centerline on the template lines up with the line you drew on the wall.

Your cabinets may have decorative trim that interferes with the microwave installation. Remove the decorative trim to install the microwave properly and to make it level.

THE MICROWAVE MUST BE LEVEL.

Use a level to make sure the cabinet bottom is level.

D. Aligning the wall plate



⚠ CAUTION

Wear gloves to avoid cutting fingers on sharp edges.

1. Draw a horizontal line on the wall at the bottom of the “Rear Wall Template”.
2. Drill $\frac{5}{8}$ ” holes for toggle bolts in 2 locations (Hole A, Hole B) as shown in the illustration above. If the location of a hole lines up with a stud, drill a $\frac{3}{16}$ ” hole for a wood screw. You cannot use a toggle bolt to attach the wall plate to a stud.
3. Holes A and B are inside area E. If none of these holes line up with a stud, find a stud in area E that lines up with a hole circle in Area E, and then drill a $\frac{3}{16}$ ” hole into it for a wood screw. You must have at least one wood screw mounted firmly into a stud to support the weight of the microwave. **Set the mounting plate aside.**

📖 NOTE

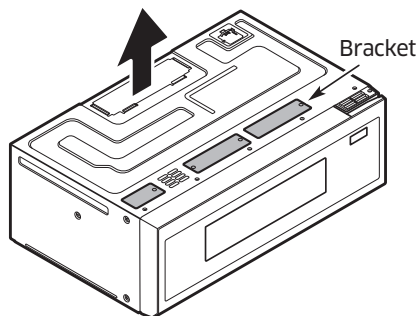
DO NOT MOUNT THE PLATE AT THIS TIME.

Step-by-step installation guide

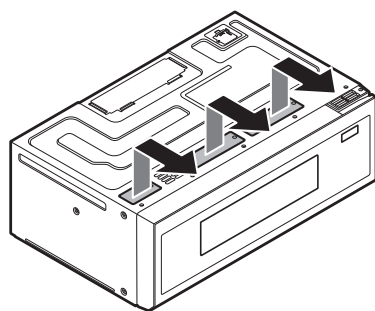
Step 2. Ventilation types (choose A, B or C)

This microwave oven is compatible with the following three types of ventilation:

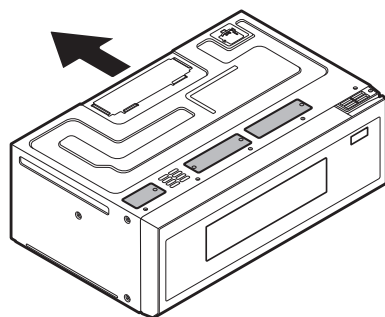
**A. Outside top exhaust
(vertical duct)**



**B. Recirculating
(non-vented ductless)**



**C. Outside back exhaust
(horizontal duct)**

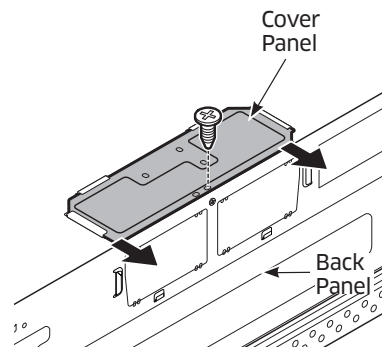


NOTE

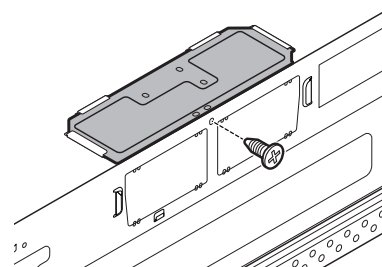
This microwave is shipped assembled for Recirculating. An Exhaust Adaptor is shipped assembled and attached to the filler-upper. Select the type of ventilation required for your installation and proceed to that section.

A. Outside top exhaust (vertical duct)

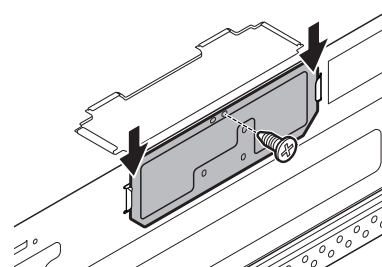
A1. ADAPTING THE COVER PANEL FOR THE EXHAUST ADAPTOR



1. Remove 1 screw from Cover Panel and take off Cover Panel.

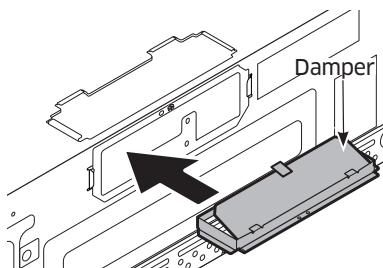


2. Remove 1 screw from Back Panel.



3. Assemble the Cover Panel as sliding from top to bottom and the screw that was removed from Back Panel.

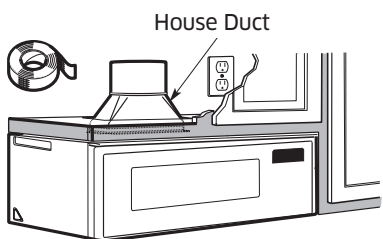
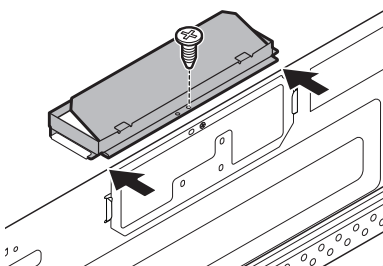
A2. INSTALLATION DAMPER



1. Remove the tape securing the Damper.
2. Assemble the Damper as sliding from back to front until stopped.

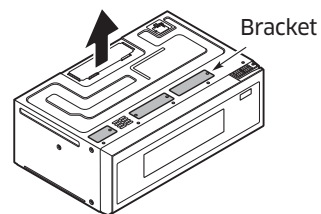
NOTE

Make sure Dampers swing freely.



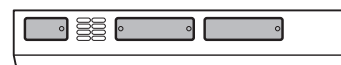
NOTE

- You must attach the House Duct to the Exhaust Adaptor after installation is complete.
- You must seal Exhaust Duct joints using Duct Tape.



NOTE

You must check bracket picture according to ventilation type at page 12.



The marked Brackets should not have Vent holes.

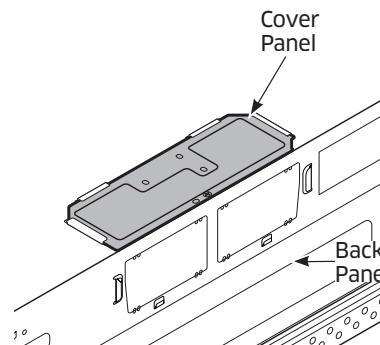
NOTE

Apply A1 and A2 equally.

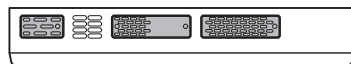
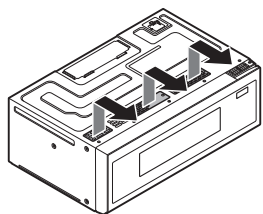
B. Recirculating (non-vented ductless)

B1. Adapting the COVER PANEL for recirculation

1. Make sure the Cover Panel is assembled properly. (Top assembly)



Step-by-step installation guide



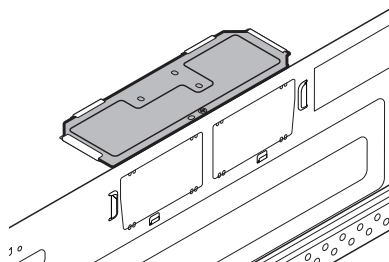
The marked Brackets should have Vent holes.

NOTE

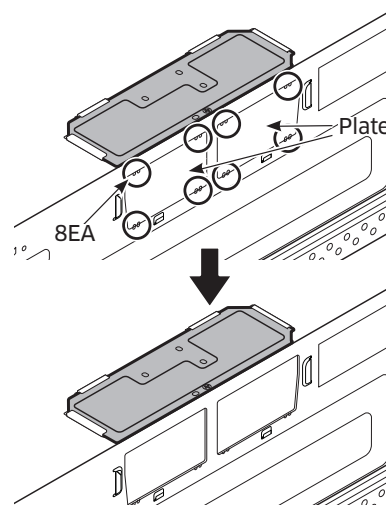
- The Exhaust Adaptor with the Damper is not needed for recirculating type. You may want to save them for possible future use.
- You must check bracket picture according to ventilation type at page 12.

C. Outside back exhaust (horizontal duct)

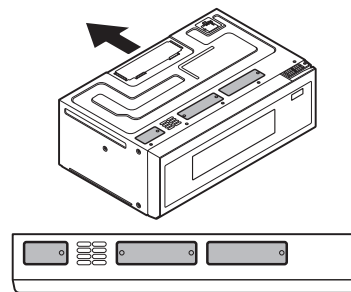
C1. Adapting the COVER PANEL for outside back exhaust



1. Make sure the Cover Panel is assembled properly. (Top assembly)



After removing Plates

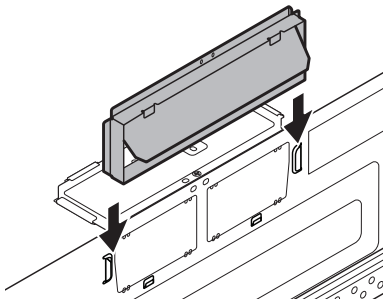


The marked Brackets should not have Vent holes.

2. Cut 8 area to remove plates using nipper.

NOTE

You must check bracket picture according to ventilation type at page 12.

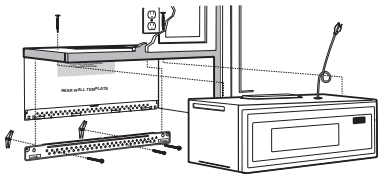


Step 3. Installation

3. Remove the tape securing the Damper.
4. Assemble the Damper as sliding from top to bottom until stopped.

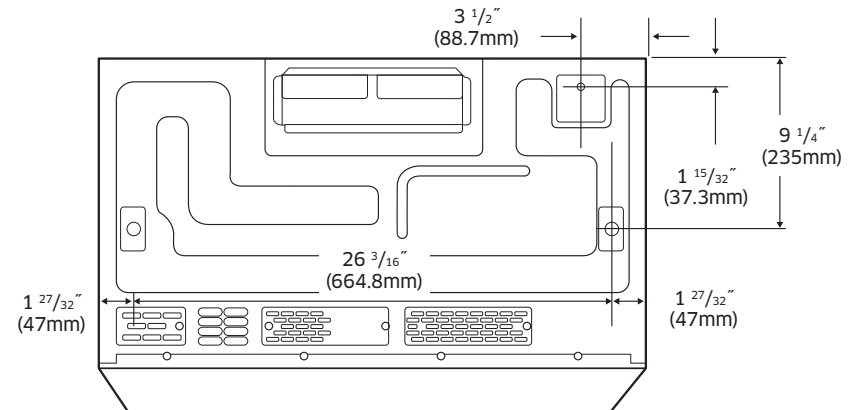
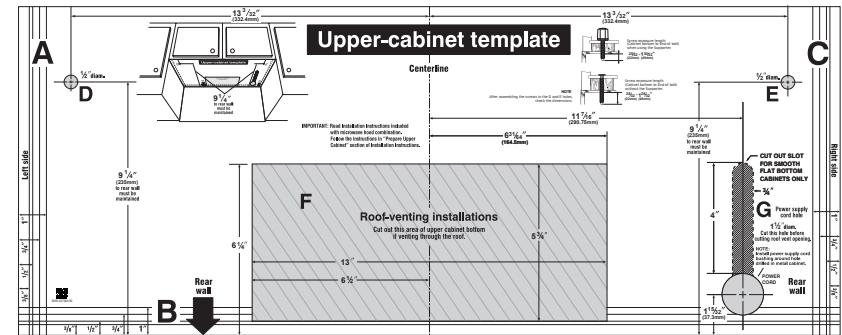
NOTE
Make sure Dampers swing freely.

INSTALLATION OVERVIEW



- A. Prepare the Rear Wall (for outside back exhaust/horizontal duct only).
- B. Attach the Mounting Plate to the Wall.
- C. Prepare the Cabinet above.
- D. Mount the Microwave Oven.
- E. Connect the Ductwork (for outside top exhaust/vertical duct only).

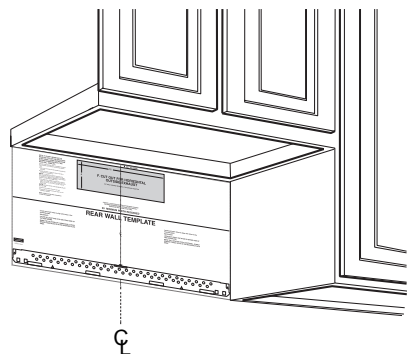
Dim. Comparison



Step-by-step installation guide

A. Prepare the rear wall for outside back exhaust

You need to cut an opening in the rear wall for outside exhaust.

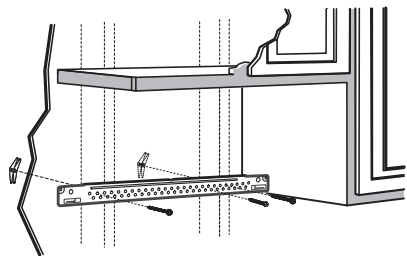


- Read the instructions for outside back exhaust on the REAR WALL TEMPLATE.
- Tape the REAR WALL TEMPLATE to the rear wall.
- Cut the opening, following the instructions on the REAR WALL TEMPLATE.

⚠ CAUTION

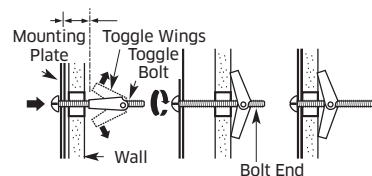
Do not cut an opening in the rear wall if you are installing the microwave with vertical duct or non-vented ductless ventilation.

B. Attach the mounting plate to the wall



Attach the plate to the wall using toggle bolts. At least one wood screw must be used to attach the plate to a wall stud.

1. Remove the toggle wings from the bolts.
2. Insert the bolts into the mounting plate through the holes designated to go into drywall, and then reattach the toggle wings so that $\frac{3}{4}$ " of the bolt protrudes beyond the wing.



3. Place the mounting plate against the wall, pinch the wings of each toggle together, and then insert the toggle wings of each toggle into and through the holes in the wall.

📖 NOTE

Before tightening the toggle bolts and wood screw, make sure the bottom of the Mounting plate runs along the bottom Horizontal line of the "Rear wall Template" and the Mounting plate is properly centered under the cabinet.

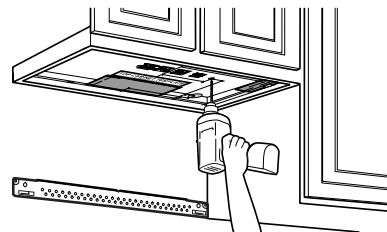
⚠ CAUTION

Be careful to avoid pinching your fingers between the back of the mounting plate and the wall.

4. Tighten all bolts. Pull the plate away from the wall to help tighten the bolts. Tighten the screw.

C. Use the top cabinet template to prepare the cabinet above

You need to drill holes for the top support screws and a hole large enough for the power cord to fit through.

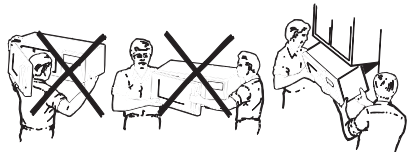


- Read the instructions on the TOP CABINET TEMPLATE.
- Tape it underneath the top cabinet.
- Drill the holes, following the instructions on the TOP CABINET TEMPLATE.

⚠ CAUTION

Wear safety goggles when drilling holes in the cabinet bottom.

D. Mount the microwave oven

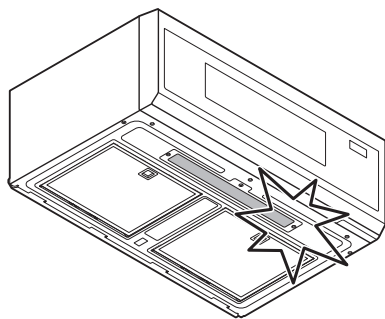


FOR EASIER INSTALLATION AND PERSONAL SAFETY, WE RECOMMEND THAT TWO PEOPLE INSTALL THIS MICROWAVE OVEN.

IMPORTANT: Do not grip or use the handle during installation.

NOTE

- If your cabinet is metal, use the nylon grommet in the power cord hole to prevent the cord from being cut.
- Filler blocks are required when mounting this unit under any cabinet with a recessed bottom or front overhang. (See page 10.)

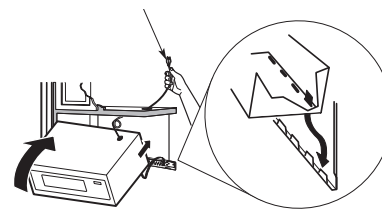


IMPORTANT: The case damage that will occur from over tightening screws if you do not use filler blocks is not covered under warranty.

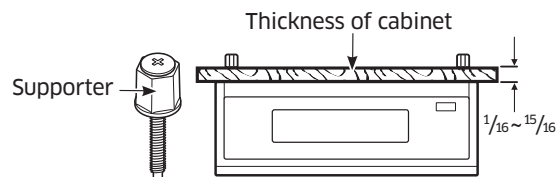
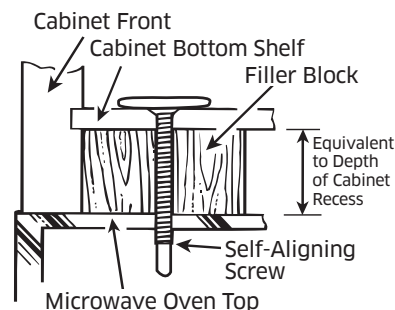
IMPORTANT: Be careful not to damage the lower Lamp Glass during handling.

NOTE

When mounting the microwave oven, thread the power cord through hole in the bottom of the top cabinet. Keep it tight throughout Steps 1-3. Do not pinch the cord or lift the oven by pulling cord.

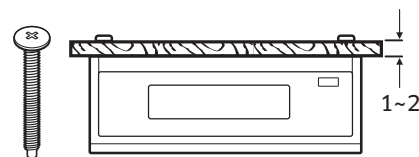


1. Lift the microwave, tilt it forward, and hook the slots at the back bottom edge onto the four lower tabs of the mounting plate.
2. Rotate the front of the oven up against the cabinet bottom.
3. Insert a self-aligning screw through the top center cabinet hole. Temporarily secure the oven by turning the screw at least **two full turns** after the threads have engaged. (It will be completely tightened later.) Be sure to keep the power cord tight. **Be careful not to pinch the cord, especially when mounting flush to the bottom of cabinet.**



NOTE

If Cabinet Thickness is Under 1", Use Supporter.



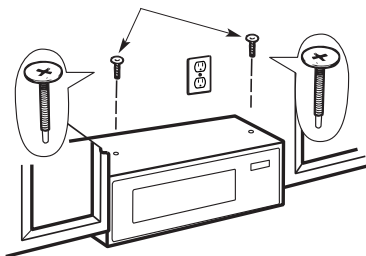
NOTE

If Cabinet Thickness is over 1", Remove Supporter from the Self-Aligning Screw.

NOTE

The self-aligning screw can be installed up to 1 15/16" (49mm).

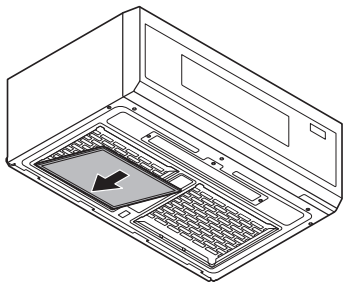
Step-by-step installation guide



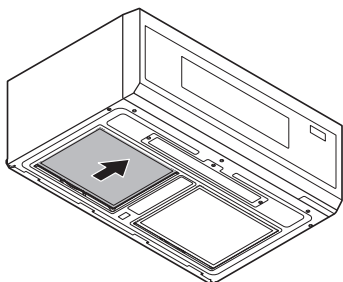
4. Attach the microwave oven to the top cabinet.
5. Insert the 2 self-aligning screws through the cabinet bottom shelf and filler block into the outer top cabinet of the unit. Continue to support the unit until both screws are inserted and engaged at least two full turns, then fully tighten all screws until the unit is secure.

E. Installing the charcoal filters and Grease Filters

E1. Charcoal Filter assembly method

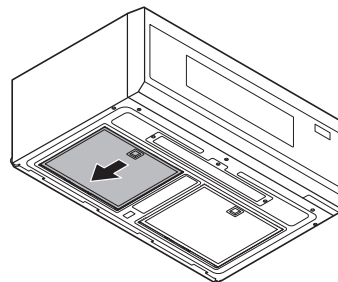


1. Insert the Charcoal Filter from the back.



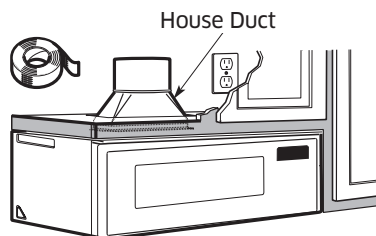
2. Raise the front of the Charcoal Filter until it is flat with the bottom, and then pull it forward to lock it in place.

E2. Grease Filter assembly method



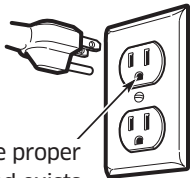
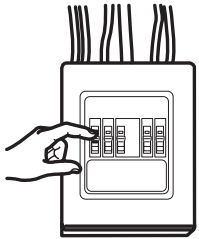
1. Push the Grease Filter backward and insert the Grease Filter until flatness with bottom surface of products.

F. Connect the ductwork for outside top exhaust



1. Extend the House Duct down to connect to the Exhaust Adaptor.
2. Seal the exhaust duct joints using duct tape.

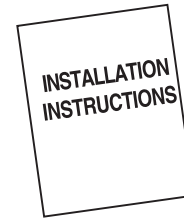
Step 4. Before you use your microwave



Insure proper ground exists before use.



1. Make sure the microwave oven has been installed according to instructions.
2. Remove all packing material from the microwave oven.
3. Install the turntable and ring in the cavity.
4. Replace the house fuse or turn the breaker back on.
5. Plug the power cord into a dedicated 15 amp electrical outlet.
6. Read the Owner's Manual.



7. Keep installation instructions for the local inspector's use.



Scan this with your smartphone

Scan the QR code* or visit
www.samsung.com/spsn
to view our helpful
How-to Videos and Live Shows

* Requires reader to be installed on your
smartphone

Please be advised that the Samsung warranty does NOT cover service calls to explain product operation, correct improper installation, or perform normal cleaning or maintenance.

QUESTIONS OR COMMENTS?

COUNTRY	CALL	OR VISIT US ONLINE AT
U.S.A Consumer Electronics	1-800-SAMSUNG (726-7864)	www.samsung.com/us/support
CANADA	1-800-SAMSUNG (726-7864)	www.samsung.com/ca/support (English) www.samsung.com/ca_fr/support (French)



Horno de microondas

Manual de instalación

ME11A7510** / ME11A7710** / ME11CB7510**



SAMSUNG

Contenido

Antes de comenzar	2
Información general	3
Instrucciones de seguridad importantes	3
Requisitos eléctricos	3
Conducto de salida de la campana	4
Daños: envío/instalación	6
Piezas incluidas	6
Herramientas que necesitará	7
Espacio para montaje	7
Guía de instalación detallada	9
Paso 1. Colocación de la placa de montaje	9
Paso 2. Tipos de ventilación (elija A, B o C)	12
Paso 3. Instalación	15
Paso 4. Antes de usar el microondas	19

Antes de comenzar

Acerca de este manual

LEA ESTAS INSTRUCCIONES EN SU TOTALIDAD Y CUIDADOSAMENTE.

Importante

- Guarde estas instrucciones para que puedan ser consultadas por el inspector local.
- Cumpla todos los códigos y ordenanzas exigidos por las autoridades pertinentes.

Nota importante para el instalador

Asegúrese de dejar estas instrucciones al usuario.

Nota importante para el usuario

Conserve estas instrucciones con el manual del usuario para su referencia futura.

Nivel de habilidades

La instalación de este electrodoméstico requiere habilidades eléctricas y mecánicas básicas.

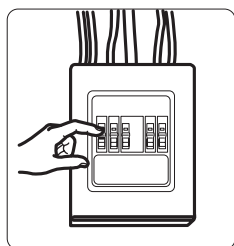
El instalador es responsable de la instalación adecuada

La falla del producto debido a la instalación incorrecta no está cubierta por la garantía

Información general

INSTRUCCIONES DE SEGURIDAD IMPORTANTES

Este producto requiere un tomacorriente de conexión a tierra de tres clavijas. El instalador debe realizar un control de la continuidad de la conexión a tierra en la caja del tomacorriente antes de comenzar la instalación con el fin de garantizar que esta caja esté debidamente conectada a tierra. Si no lo está o si la caja del tomacorriente no cumple con los requisitos eléctricos indicados (en REQUISITOS ELÉCTRICOS), se debe contratar a un electricista calificado para corregir cualquier deficiencia.



⚠ PRECAUCIÓN

Para la seguridad personal, quite el fusible de la casa o abra el disyuntor antes de comenzar la instalación para evitar una lesión por choque mortal o grave.

⚠ PRECAUCIÓN

- Para su seguridad, la superficie de montaje debe ser capaz de soportar la carga del gabinete, además del peso agregado de este producto de 69 libras (31 kg), más cargas adicionales del horno de hasta 50 libras (23 kg) o un peso total de 119 libras (49 kg).
- Para su seguridad, no instale este producto en los gabinetes configurados como isla o península. El horno microondas se debe montar TANTO en un gabinete superior COMO en una pared.

📖 NOTA

Para su seguridad y una instalación más fácil, recomendamos que dos personas instalen este producto.

IMPORTANTE - LEA DETENIDAMENTE. PARA SU SEGURIDAD, ESTE ELECTRODOMÉSTICO SE DEBE CONECTAR A TIERRA DE MANERA CORRECTA PARA EVITAR UNA DESCARGA MORTAL O GRAVE.



Asegúrese de que exista una conexión a tierra adecuada antes de usar.

El cable de alimentación de este electrodoméstico cuenta con un enchufe (de conexión a tierra) de tres clavijas, que se acopla con un tomacorriente de pared (de conexión a tierra) de tres clavijas para minimizar la posibilidad de que haya un peligro de descarga eléctrica de este electrodoméstico.

Un electricista calificado debe revisar el tomacorriente de pared y el circuito para asegurarse de que el tomacorriente esté conectado a tierra de manera correcta. Si tiene un tomacorriente de pared de dos clavijas estándar, es muy importante que lo reemplace por uno de tres clavijas debidamente conectado a tierra e instalado por un electricista calificado.

BAJO NINGUNA CIRCUNSTANCIA CORTE, DEFORME NI quite NINGUNA DE LAS CLAVIJAS DEL CABLE DE ALIMENTACIÓN. NO LO UTILICE CON UN ALARGUE.

REQUISITOS ELÉCTRICOS

La clasificación eléctrica del producto es de 120 V de CA, 60 Hz. Este producto se debe conectar a un circuito de suministro de frecuencia y voltaje correctos. El tamaño del cable debe cumplir con los requisitos del Código Eléctrico Nacional o el código local vigente para estos valores de kilovatios. El enchufe y el cable de alimentación se deben colocar en un tomacorriente conectado a tierra simple con circuito derivado independiente de 15 A como mínimo y 20 A como máximo. Uso de 20 A se recomienda para edificios multifamiliares. La caja del tomacorriente debe estar en el gabinete, por encima del horno microondas. Un electricista calificado debe instalar la caja del tomacorriente y el circuito de alimentación, y deben cumplir con el Código Eléctrico Nacional o el código local vigente.

Información general




CONDUCTO DE SALIDA DE LA CAMPANA

NOTA

Lea las siguientes dos páginas solo si planea ventilar el conducto de salida al exterior. Si planea volver a circular el aire en la habitación, continúe en la página 12.

CONDUCTO DE SALIDA SUPERIOR EXTERNO (SOLO DE EJEMPLO)

El siguiente cuadro contiene un ejemplo de una posible instalación de red de conductos.




PIEZAS DE CONDUCTOS		LONGITUD EQUIVALENTE	x	CANTIDAD USADA	=	LONGITUD EQUIVALENTE
	Tapa de techo	24 pies	x	(1)	=	24 pies
	12 pies Conducto recto (6" redondo)	12 pies	x	(1)	=	12 pies
	Adaptador de transición rectangular a redondo*	5 pies	x	(1)	=	5 pies
Las longitudes equivalentes de las piezas de conductos se basan en las pruebas actuales y reflejan los requisitos para una buena ventilación con cualquier campana de ventilación.						Longitud total = 41 pies

IMPORTANTE:

Si se usa un adaptador de transición rectangular a redondo, las esquinas inferiores del regulador deben cortarse con tijeras para hojalata para que encastre, a fin de permitir un movimiento libre del regulador.

CONDUCTO DE SALIDA POSTERIOR EXTERNO (SOLO DE EJEMPLO)

El siguiente cuadro contiene un ejemplo de una posible instalación de red de conductos.

PIEZAS DE CONDUCTOS		LONGITUD EQUIVALENTE	x	CANTIDAD USADA	=	LONGITUD EQUIVALENTE
	Tapa de la pared	40 pies	x	(1)	=	40 pies
	3 pies Conducto recto (3 1/4" x 10" rectangular)	3 pies	x	(1)	=	3 pies
	Codo de 90°	10 pies	x	(2)	=	20 pies
Las longitudes equivalentes de las piezas de conductos se basan en las pruebas actuales y reflejan los requisitos para una buena ventilación con cualquier campana de ventilación.						Longitud total = 63 pies

NOTA

Para el conducto de salida posterior, debe tener la precaución de alinear el conducto de salida con el espacio entre las vigas, o la pared debe prepararse cuando se construye dejando suficiente espacio entre las vigas para que pase el conducto de salida.

NOTA

Si necesita instalar conductos, tenga en cuenta que la longitud total del conducto de 3 ¼" x 10" rectangular o el conducto redondo de 6" de diámetro no debe superar los 140 pies equivalentes.

La ventilación externa requiere un CONDUCTO DE SALIDA DE CAMPANA. Lea detenidamente lo siguiente.

NOTA

Es importante que los conductos de ventilación se instalen siguiendo la ruta más directa y con la menor cantidad de codos posibles. Esto garantiza una buena ventilación del conducto de salida y ayuda a evitar obstrucciones. **Además, asegúrese de que los reguladores giren libremente y que los conductos no presenten obstrucciones.**

Conexión del conducto de salida:


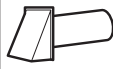


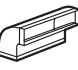
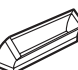
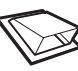

El conducto de salida de la campana está diseñado para acoplarse con un conducto rectangular de 3 ¼" x 10" estándar.

Si se requiere un conducto redondo, se debe usar un adaptador de transición rectangular a redondo. **No use un conducto de menos de 6" de diámetro.**

Longitud máxima del conducto:

Para un movimiento de aire satisfactorio, la longitud total del conducto de 3 ¼" x 10" rectangular o el conducto redondo de 6" de diámetro no debe superar los 140 pies equivalentes.

Los codos, las transiciones, las tapas de techo y pared, etc. presentan una resistencia adicional al flujo de aire y son equivalentes a una sección de un conducto recto más largo que su tamaño físico real. Al calcular la longitud del conducto total, agregue las longitudes equivalentes de todas las transiciones y los adaptadores, más la longitud de todas las secciones del conducto recto. En el cuadro a continuación, se muestra cómo calcular la longitud de la red de conductos equivalente mediante el uso de la longitud equivalente en pies de algunos conductos típicos.

PIEZAS DE CONDUCTOS		LONGITUD EQUIVALENTE	x	CANTIDAD USADA	=	LONGITUD EQUIVALENTE
	Adaptador de transición rectangular a redondo*	5 pies	x	()	=	pies
	Tapa de la pared	40 pies	x	()	=	pies
	Codo de 90°	10 pies	x	()	=	pies
	Codo de 45°	5 pies	x	()	=	pies
	Codo de 90°	25 pies	x	()	=	pies
	Codo de 45°	5 pies	x	()	=	pies
	Tapa de techo	24 pies	x	()	=	pies
	Conducto recto Redondo de 6" o rectangular de 3 ¼" x 10"	1 pie	x	()	=	pies
Red de conductos total					=	pies



***IMPORTANTE:** Si se usa un adaptador de transición rectangular a redondo, las esquinas inferiores del regulador deberán cortarse con tijeras para hojalata para que encastre, a fin de permitir que el regulador pueda moverse libremente. Las longitudes equivalentes de las piezas del conducto se basan en las pruebas actuales y reflejan los requisitos para un rendimiento de buena ventilación con cualquier campana de ventilación.


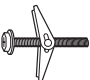

Información general

DAÑOS - ENVÍO/INSTALACIÓN

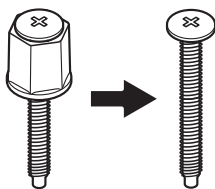
- Si la unidad se daña durante el envío, devuelva la unidad a la tienda donde la compró para su reparación o reemplazo.
- Si el cliente daña la unidad, este es responsable de repararla o reemplazarla.
- Si el instalador daña la unidad (en caso de que no sea el cliente), la reparación o el reemplazo deben acordarse entre el cliente y el instalador.

PIEZAS INCLUIDAS

PAQUETE DE ACCESORIOS

PIEZA	CANTIDAD
	Tornillos para madera 1
	Tornillos de fiador (y tuercas de mariposa) 2
	Tornillos para máquina de autoalineación con soporte 2

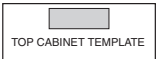
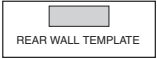
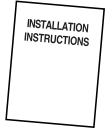
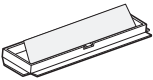


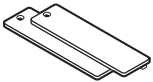
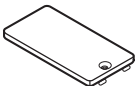
Encontrará los accesorios de instalación incluidos en un paquete con la unidad. Asegúrese de contar con todas estas piezas.



NOTA

Si el grosor del gabinete es superior a 1", quite el soporte.

PIEZAS ADICIONALES

PIEZA	CANTIDAD
	Molde del gabinete superior 1
	Molde para pared trasera 1
	Instrucciones de instalación 1
	Adaptador del conducto de salida 1
	Filtros de grasa embalados por separado 2
	Filtros de carbón embalados por separado 2
	Cubierta de aire derecha 2
	Cubierta de aire izquierda 1

HERRAMIENTAS QUE NECESITARÁ



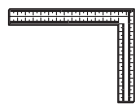
Destornillador Phillips
n.º 1 y 2



Lápiz



Regla o cinta de medir
y borde recto



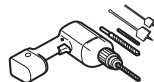
Escuadra de carpintero
(opcional)



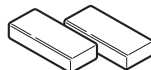
Tijeras para hojalata
(para cortar el
regulador si fuera
necesario)



Tijeras (para cortar
el molde si fuera
necesario)



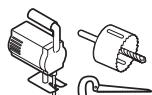
Taladro eléctrico con
mechas de perforación
de 3/16", 1/2" y 5/8"



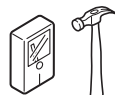
Piezas de madera de
desecho o bloques
de relleno, si fuera
necesario, para el
espaciado del gabinete
superior (solo para uso
en instalaciones de
gabinetes superiores
empotrados)



Guantes



Sierra (sable,
perforadora o de calar)



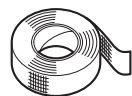
Detector de vigas o
martillo (opcional)



Anteojos de seguridad

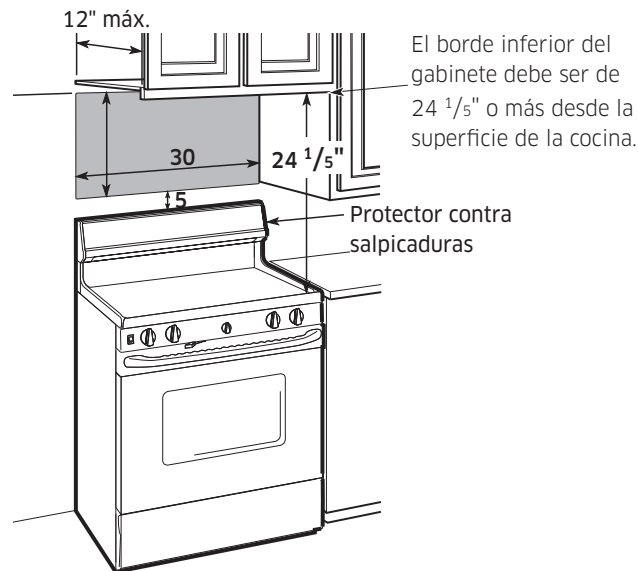


Nivel



Cinta de enmascarar y
para conductos

ESPACIO PARA MONTAJE

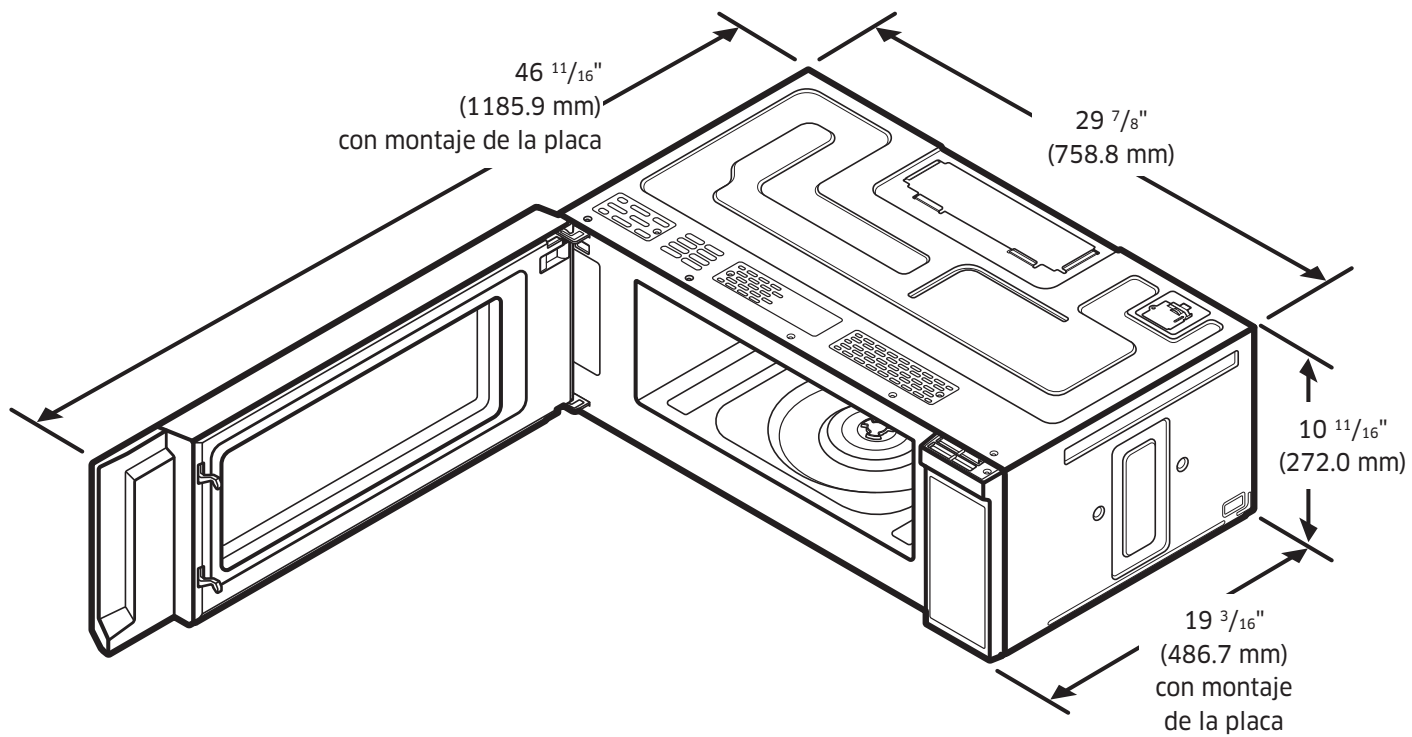


NOTA

- El espacio entre los gabinetes debe ser de 30" de ancho y sin obstrucciones.
- Este horno microondas es para la instalación sobre estufas de hasta 36" de ancho.
- Si va a ventilar el horno microondas al exterior, consulte la sección Conducto de salida de la campana para la preparación del conducto de salida.
- Si instala el horno microondas por encima de los gabinetes planos y lisos, tenga cuidado de seguir las instrucciones en el molde del gabinete superior para la separación del cable de alimentación.
- La profundidad máxima del gabinete sobre y al costado de la unidad es de 12".
- Las dimensiones proporcionadas son las mínimas requeridas para el montaje del horno microondas. Los códigos locales y el uso práctico de la estufa probablemente requerirán que proporcione más de los 13,5" que se muestran entre la estufa y la parte superior del microondas.

Información general

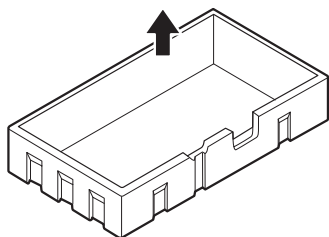
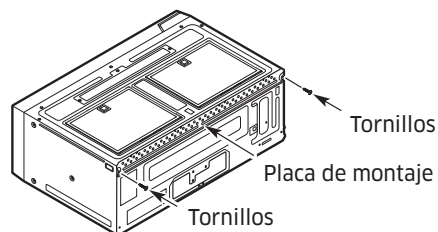
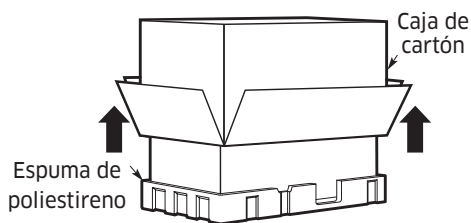
DIMENSIÓN DEL PRODUCTO



Guía de instalación detallada

Paso 1. Colocación de la placa de montaje

A. Quitar el horno microondas de la caja de cartón/quitar la placa de montaje

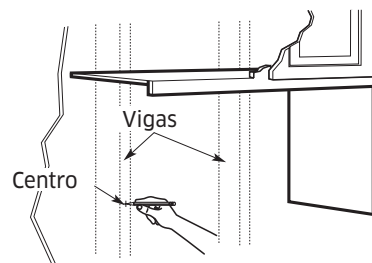


1. Quite las instrucciones de instalación, el adaptador del conducto de salida, los filtros, la bandeja de vidrio y la bolsa con los accesorios pequeños. No quite la espuma de poliestireno que protege la parte delantera del horno.
2. Doble hacia atrás las 4 pestañas de la caja de cartón completamente contra los costados de la caja. Luego, haga rodar el horno y la caja de cartón sobre el lado superior cuidadosamente. El horno debe estar apoyado en la espuma de poliestireno.
3. Tire la caja de cartón hacia arriba y fuera del horno.
4. Quite y deseche las bolsas de plástico de manera correcta.
5. Quite los 2 tornillos de la placa de montaje. Esta placa se usará como el molde para pared trasera y para el montaje.

NOTA

Conserve los dos tornillos. Deberá volver a insertar los tornillos en las ubicaciones originales después de haber quitado la placa de montaje.

B. Encontrar las vigas de la pared

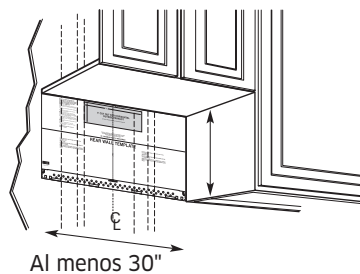


1. Encuentre las vigas mediante uno de los siguientes métodos:
 - A. Con un buscador de vigas: un dispositivo magnético que detecta clavos.
 - B. Use un martillo para golpear suavemente la superficie de montaje hasta oír el sonido de un elemento sólido. Esto indica la ubicación de una viga.
2. Una vez que encuentre las vigas, ubique el centro de estas introduciendo un clavo pequeño en la pared para detectar los bordes de la viga. Luego, coloque una marca entre los bordes. El centro de cualquier viga adyacente debe ser de 16" o 24" desde esta marca.
3. Trace una línea del centro de las vigas hacia abajo.

EL MICROONDAS DEBE ESTAR CONECTADO A AL MENOS UNA VIGA.

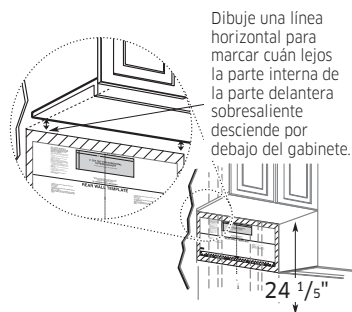
Guía de instalación detallada

C. Determinar la ubicación de la placa de la pared debajo del gabinete



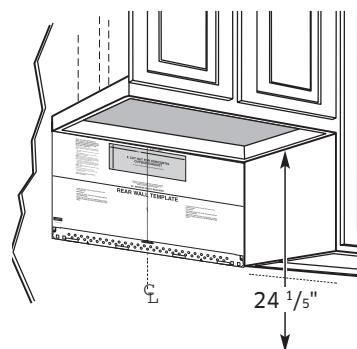
Posición de la placa: debajo de un gabinete inferior plano.

Dibuje una línea vertical en la pared en el centro del espacio de 30" de ancho. Adhiera con cinta el molde para la pared trasera de manera tal que la parte superior del molde toque la parte inferior del gabinete y la línea central del molde quede alineada con la línea que dibujó en la pared.



Posición de la placa: detrás de un gabinete superior empotrado con una parte delantera sobresaliente.

Dibuje una línea vertical en la pared en el centro del espacio de 30" de ancho. Dibuje una segunda línea horizontal en la pared debajo del gabinete para marcar la distancia entre el interior de la parte delantera sobresaliente y la parte inferior del gabinete. Adhiera con cinta el molde para la pared trasera de manera tal que la parte superior del molde toque la parte inferior de la línea horizontal y la línea central del molde quede alineada con la línea vertical.



Posición de la placa: debajo de un gabinete superior empotrado y enmarcado.

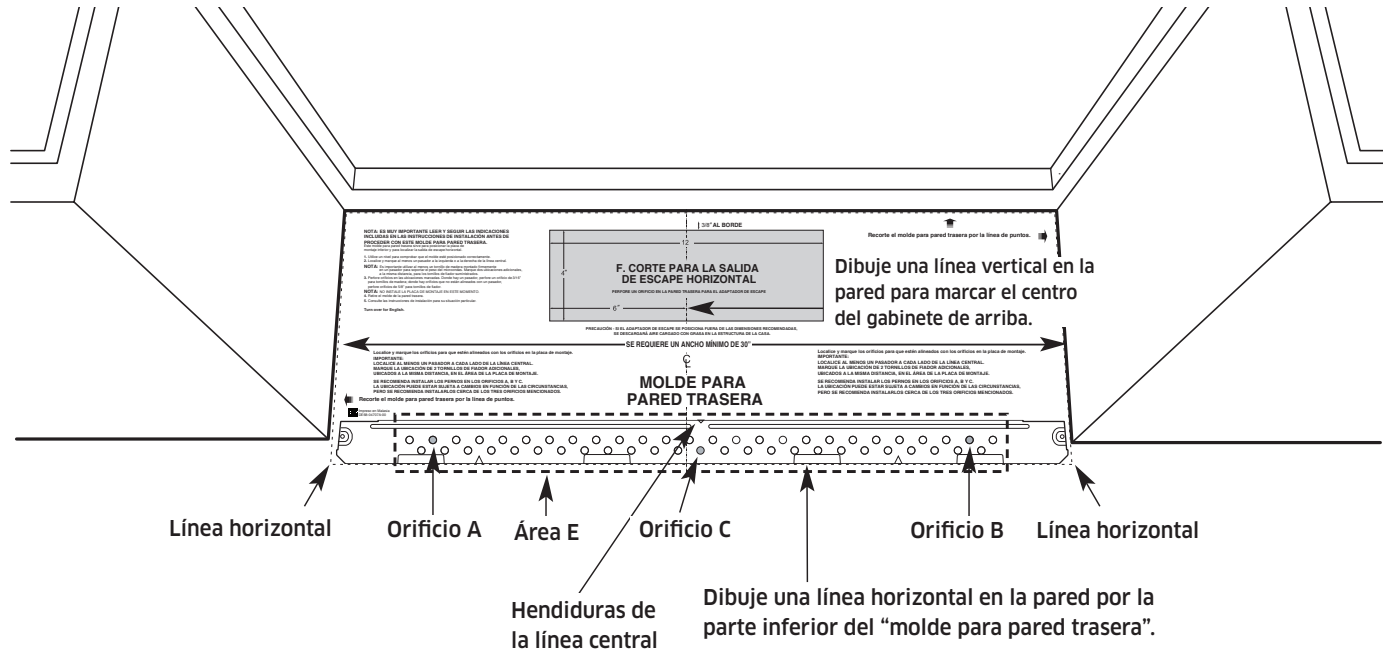
Dibuje una línea vertical en la pared en el centro del espacio de 30" de ancho. Adhiera con cinta el molde para la pared trasera de manera tal que la parte superior del molde toque la parte inferior del marco del gabinete y la línea central del molde quede alineada con la línea que dibujó en la pared.

Sus gabinetes pueden tener molduras decorativas que interfieren con la instalación del microondas. Quite las molduras decorativas para instalar el microondas de manera correcta y nivelarlo.

EL MICROONDAS DEBE ESTAR NIVELADO.

Use un nivel para asegurarse de que la parte inferior del gabinete esté nivelada.

D. Alinear la placa de la pared



⚠ PRECAUCIÓN

Use guantes para evitar cortarse los dedos con bordes afilados.

1. Dibuje una línea horizontal en la pared en la parte inferior del "molde para pared trasera".
2. Perfore orificios de $\frac{5}{8}$ " para los tornillos de fijador en 2 ubicaciones (orificio A, orificio B), como se muestra en la ilustración anterior. Si la ubicación de un orificio coincide con una viga, perfore un orificio de $\frac{3}{16}$ " para un tornillo para madera. No puede usar un tornillo de fijador para sujetar la placa de la pared a una viga.
3. Los orificios A y B se encuentran dentro del área E. Si ninguno de estos orificios coincide con una viga, busque una viga en el área E que coincida con el círculo del orificio en el área E. Luego, perfore un orificio de $\frac{3}{16}$ " en esta para un tornillo para madera. Debe haber al menos un tornillo para madera montado firmemente en una viga para soportar el peso del microondas. **Aparte la placa de montaje.**

📖 NOTA

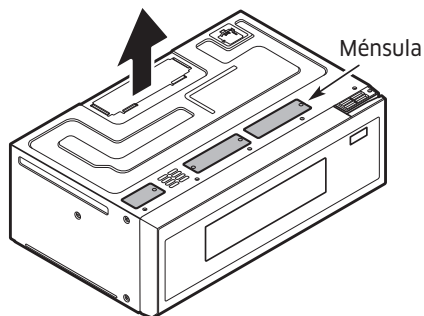
NO MONTE LA PLACA EN ESTE MOMENTO.

Guía de instalación detallada

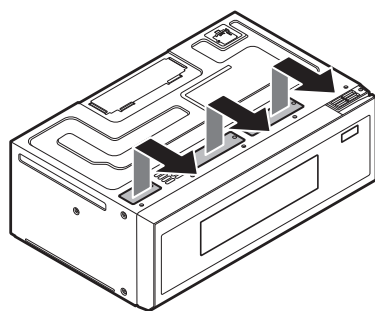
Paso 2. Tipos de ventilación (elijá A, B o C)

Este horno microondas es compatible con los siguientes tres tipos de ventilación:

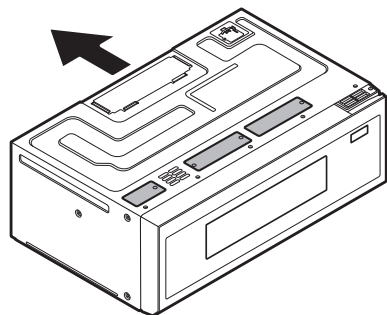
A. Conducto de salida superior externo (conducto vertical)



B. Recirculación (sin conductos ni ventilación)



C. Conducto de salida posterior externo (conducto horizontal)

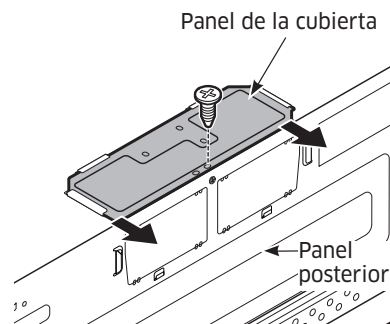


NOTA

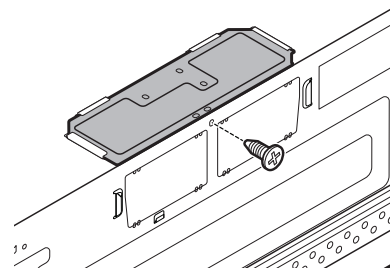
Este microondas está viene ensamblado para la recirculación. Incluye un adaptador del conducto de salida ensamblado y fijado al relleno de la parte superior. Seleccione el tipo de ventilación requerida para su instalación y continúe con esa sección.

A. Conducto de salida superior externo (conducto vertical)

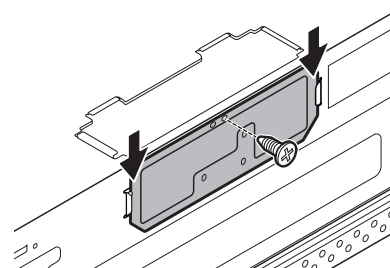
A1. ADAPTAR EL PANEL DE LA CUBIERTA PARA EL ADAPTADOR DEL CONDUCTO DE SALIDA



1. Quite 1 tornillo del panel de la cubierta y saque este panel.

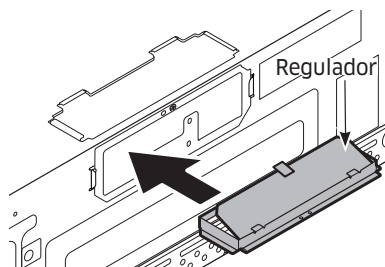


2. Quite 1 tornillo del panel posterior.

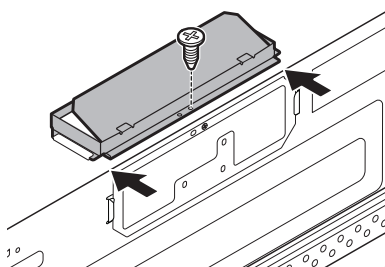


3. Ensamble el panel de la cubierta deslizándolo de arriba a abajo y el tornillo que se quitó del panel posterior.

A2. INSTALACIÓN DEL REGULADOR

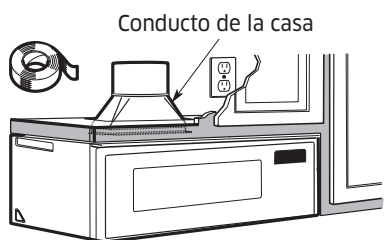


1. Quite la cinta que asegura el regulador.
2. Ensamble el regulador deslizándolo de atrás hacia adelante hasta que trabe.



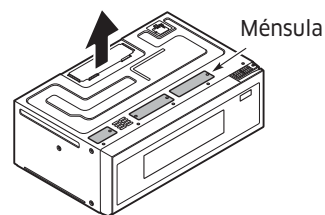
NOTA

Asegúrese de que los reguladores giren libremente.



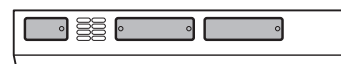
NOTA

- Debe sujetar el conducto de la casa al adaptador del conducto de salida después de que se complete la instalación.
- Debe sellar las uniones del conducto de salida con cinta para conductos.



NOTA

Debe verificar la imagen de la ménsula de acuerdo con el tipo de ventilación en la página 12.



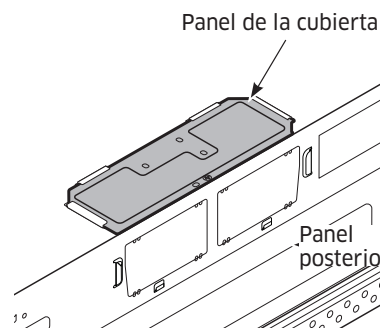
Las ménsulas marcadas no deben tener orificios de ventilación.

NOTA

Aplique A1 y A2 de la misma forma.

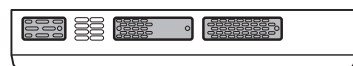
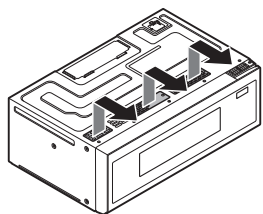
B. Recirculación (sin conductos ni ventilación)

B1. Adaptar el PANEL DE LA CUBIERTA para la recirculación



1. Asegúrese de que el panel de la cubierta esté ensamblado correctamente. (Ensamble superior)

Guía de instalación detallada



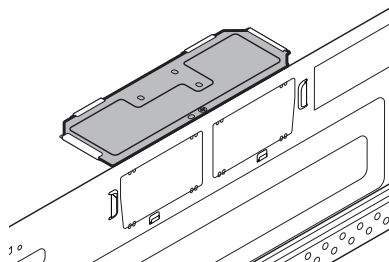
Las ménsulas marcadas deben tener orificios de ventilación.

NOTA

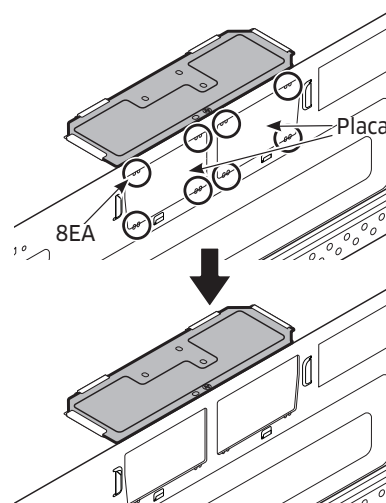
- El adaptador del conducto de salida con regulador no es necesario para el tipo de recirculación. Es posible que quiera guardarlo para un posible uso futuro.
- Debe verificar la imagen de la ménsula de acuerdo con el tipo de ventilación en la página 12.

C. Conducto de salida posterior externo (conducto horizontal)

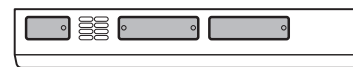
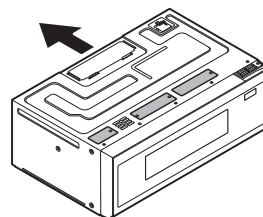
C1. Adaptar el PANEL DE LA CUBIERTA para el conducto de salida posterior externo



1. Asegúrese de que el panel de la cubierta esté ensamblado correctamente. (Ensamble superior)



Después de quitar las placas

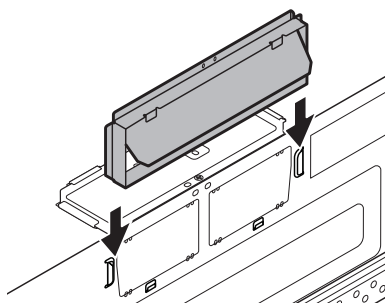


Las ménsulas marcadas no deben tener orificios de ventilación.

2. Corte el área 8 para quitar las placas mediante el uso de pinzas.

NOTA

Debe verificar la imagen de la ménsula de acuerdo con el tipo de ventilación en la página 12.



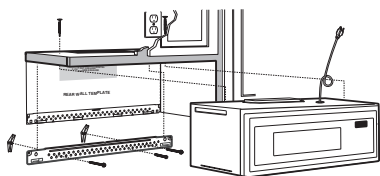
3. Quite la cinta que asegura el regulador.
4. Ensamble el regulador deslizándolo de arriba hacia abajo hasta que trabé.

NOTA

Asegúrese de que los reguladores giren libremente.

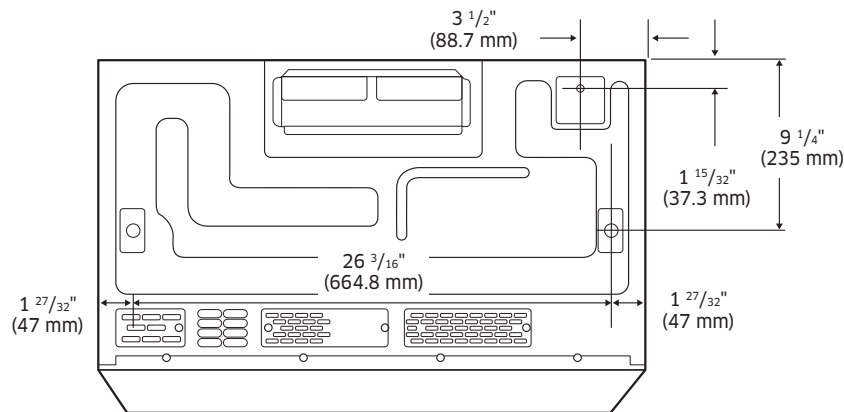
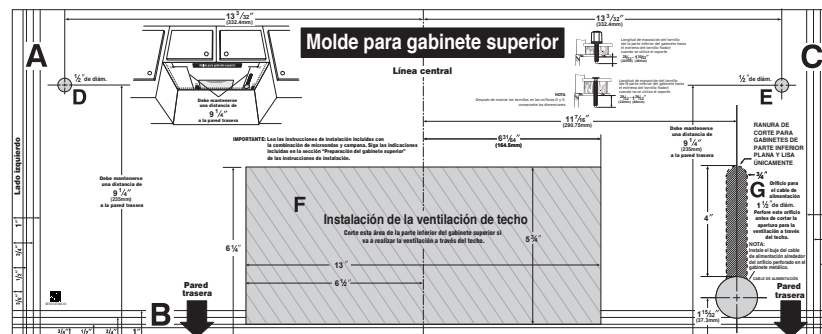
Paso 3. Instalación

DESCRIPCIÓN GENERAL DE LA INSTALACIÓN



- A. Prepare la pared posterior (solo para el conducto horizontal/conducto de salida posterior externa).
- B. Sujete la placa de montaje a la pared.
- C. Prepare el gabinete de arriba.
- D. Monte el horno microondas.
- E. Conecte la red de conductos (solo para el conducto vertical/conducto de salida superior externo).

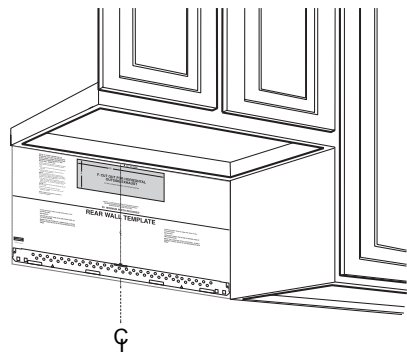
Comparación de diámetros



Guía de instalación detallada

A. Prepare la pared posterior para el conducto de salida posterior externo

Debe cortar una abertura en la pared posterior para el conducto de salida exterior.

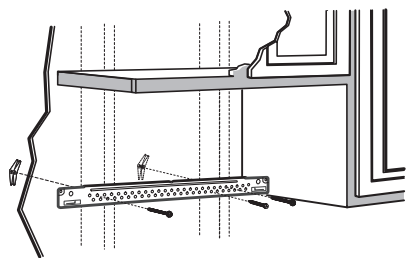


- Lea las instrucciones para el conducto de salida posterior externo en el MOLDE PARA PARED TRASERA.
- Coloque cinta en el MOLDE PARA PARED TRASERA para la pared posterior.
- Corte la abertura según las instrucciones del MOLDE PARA PARED TRASERA.

⚠ PRECAUCIÓN

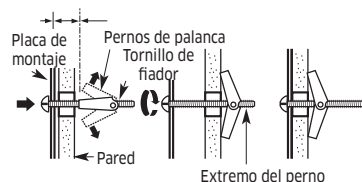
No corte una abertura en la pared posterior si está instalando el microondas con un conducto vertical o la ventilación sin conductos ni ventilación.

B. Sujete la placa de montaje a la pared



Sujete la placa a la pared mediante el uso de tornillos de fiador. Se debe usar al menos un tornillo para madera para sujetar la placa a una viga.

1. Quite los pernos de palanca de los tornillos.
2. Inserte los tornillos en la placa de montaje por los orificios designados para ir en la mampostería y luego, vuelva a sujetar los pernos de palanca para que $\frac{3}{4}$ " del tornillo sobresalga más allá del perno.



3. Coloque la placa de montaje contra la pared, apriete los pernos de cada palanca junta y luego, inserte los pernos de palanca de cada palanca en los orificios y por estos en la pared.

📖 NOTA

Antes de ajustar los pernos de palanca y el tornillo para madera, asegúrese de que la parte inferior de la placa de montaje se extienda a lo largo de la línea horizontal de la parte inferior del "molde para pared trasera" y la placa de montaje esté correctamente centrada debajo del gabinete.

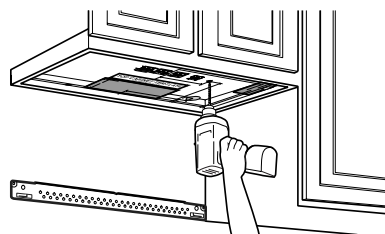
⚠ PRECAUCIÓN

Tenga cuidado de evitar apretarse los dedos entre la parte posterior de la placa de montaje y la pared.

4. Ajuste todos los pernos. Quite la placa de la pared para ayudar a ajustar los pernos. Ajuste el tornillo.

C. Use el molde del gabinete superior para preparar el gabinete de arriba

Debe perforar orificios para los tornillos de soporte de la parte superior y un orificio lo suficientemente grande para que pase el cable de alimentación.

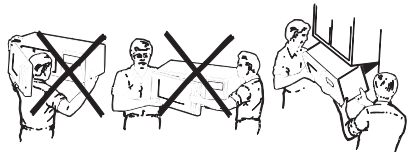


- Lea las instrucciones en el MOLDE DEL GABINETE SUPERIOR.
- Coloque cinta por debajo del gabinete superior.
- Perfore los orificios siguiendo las instrucciones del MOLDE PARA EL GABINETE SUPERIOR.

⚠ PRECAUCIÓN

Use guantes de seguridad al perforar orificios en la parte inferior del gabinete.

D. Monte el horno microondas



PARA LA SEGURIDAD PERSONAL Y UNA INSTALACIÓN MÁS FÁCIL, RECOMENDAMOS QUE DOS PERSONAS INSTALEN ESTE HORNO MICROONDAS.

IMPORTANTE: No agarre ni use la manija durante la instalación.

NOTA

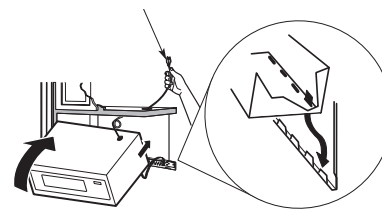
- Si su gabinete es de metal, use la arandela aislante de nailon en el orificio del cable de alimentación para evitar que se corte el cable.
- Se requieren bloques de relleno cuando se monta esta unidad debajo de cualquier gabinete con una parte sobresaliente delantera o inferior empotrada. (Consulte la página 10).

IMPORTANTE: El daño de la carcasa que se producirá por ajustar demasiado los tornillos si no usa bloques de relleno no está cubierto por la garantía.

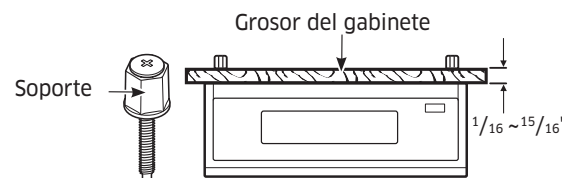
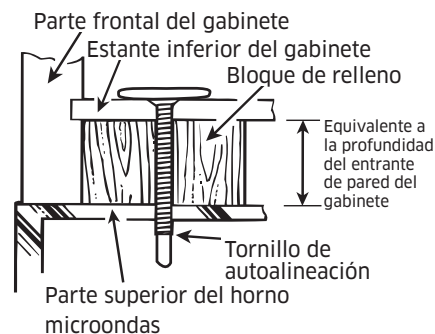
IMPORTANTE: Asegúrese de no dañar el vidrio de la lámpara inferior durante la manipulación.

NOTA

Cuando monta el horno microondas, enrosque el cable de alimentación por el orificio en la parte inferior del gabinete superior. Manténgalo ajustado por los pasos 1 al 3. No apriete el cable ni levante el horno tirando del cable.

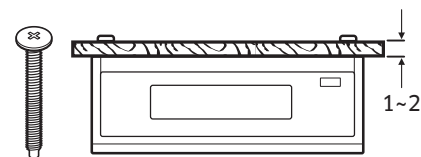


1. Levante el microondas, inclínelo hacia adelante y enganche las ranuras en el borde inferior posterior en las cuatro pestañas inferiores de la placa de montaje.
2. Gire la parte frontal del horno hacia arriba en contra de la parte inferior del gabinete.
3. Inserte el tornillo de autoalineación por el orificio del gabinete central superior. Asegure el horno temporalmente al girar el tornillo al menos **dos vueltas completas** después de que las roscas se hayan enganchado. (Se ajustará por completo posteriormente). Asegúrese de mantener ajustado el cable de alimentación. **Asegúrese de no apretar el cable, especialmente cuando el montaje se nivela con la parte inferior del gabinete.**



NOTA

Si el grosor del gabinete es inferior a 1", use el soporte.



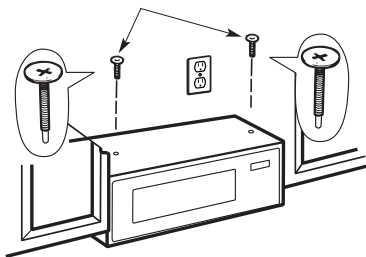
NOTA

Si el grosor del gabinete es superior a 1", quite el soporte del tornillo de autoalineación.

NOTA

El tornillo de autoalineación se puede instalar hasta 1 15/16" (49 mm).

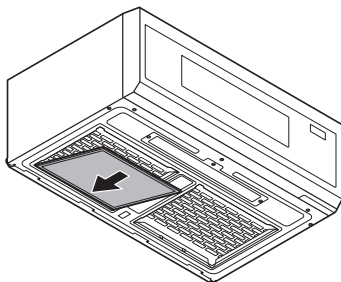
Guía de instalación detallada



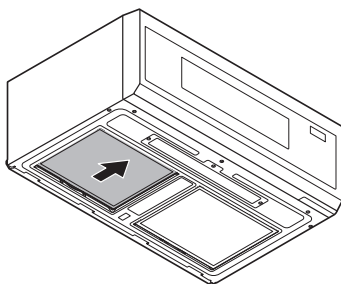
4. Sujete el horno microondas al gabinete superior.
5. Inserte los 2 tornillos de autoalineación por el estante inferior del gabinete y el bloque de relleno en el gabinete superior externo de la unidad. Continúe apoyando la unidad hasta que ambos tornillos estén insertados y enganchados en, al menos, dos giros completos. Luego, ajuste por completo todos los tornillos hasta que la unidad esté segura.

E. Instalación de los filtros de carbón y de grasa

E1. Método de ensamblaje del filtro de carbón

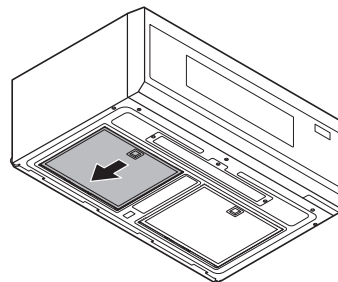


1. Inserte el filtro de carbón desde la parte posterior.



2. Eleve el frente del filtro de carbón hasta que esté nivelado con la parte inferior. Después, jale de él hacia adelante para que quede fijo en su lugar.

E2. Método de ensamblaje del filtro de grasa



1. Empuje hacia atrás el filtro de grasa e insértelo hasta que quede plano con la superficie inferior de los productos.

F. Conecte la red de conductos para el conducto de salida superior exterior



1. Extienda el conducto de la casa hacia abajo para conectar el adaptador del conducto de salida.
2. Selle las uniones del conducto de salida con cinta para el conducto.

Paso 4. Antes de usar el microondas



Asegúrese de que exista una conexión a tierra adecuada antes de usar.



1. Asegúrese de que se haya instalado el horno microondas de acuerdo con las instrucciones.
2. Quite todo el material de embalaje del horno microondas.
3. Instale el soporte giratorio y la arandela en la cavidad.
4. Reemplace el fusil de la casa o vuelva a encender el disyuntor.
5. Enchufe el cable de alimentación en un tomacorriente dedicado de 15 amperios.
6. Lea el Manual del usuario.



7. Conserve las instrucciones de instalación para el uso del inspector local.



Scan this with your smartphone

Escanee el código QR* o visite www.samsung.com/spsn para ver nuestros útiles videos instructivos y programas en vivo

* Requiere la instalación de un lector en su teléfono inteligente

Tenga en cuenta que la garantía de Samsung NO cubre las llamadas de servicio para explicar el funcionamiento del producto, corregir una instalación inadecuada o realizar tareas de limpieza o mantenimiento.

¿TIENE PREGUNTAS O COMENTARIOS?

PAÍS	LLAME AL	O VISÍTENOS EN LÍNEA EN
U.S.A Consumer Electronics	1-800-SAMSUNG (726-7864)	www.samsung.com/us/support
CANADA	1-800-SAMSUNG (726-7864)	www.samsung.com/ca/support (English) www.samsung.com/ca_fr/support (French)

