

PVX7300EJ/SJ/FJ

GE Profile™ 30" Under-the-Cabinet Hood

DIMENSIONS AND INSTALLATION INFORMATION (IN INCHES)

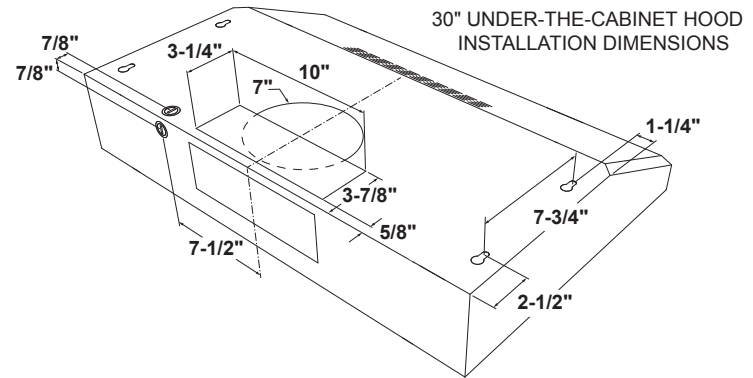
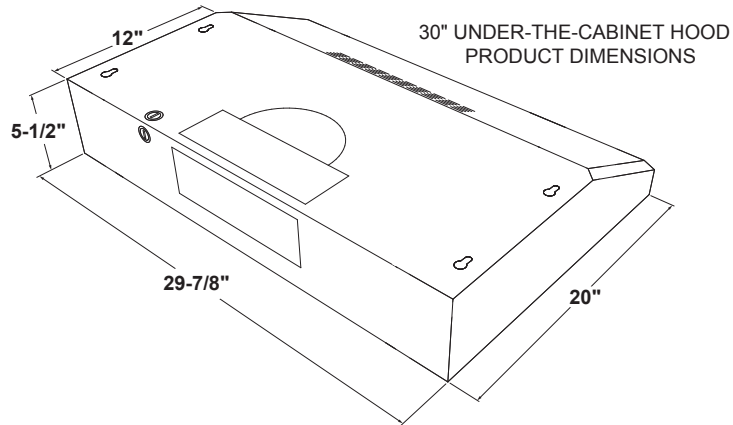
WB02X11537 replacement grease filter and JXCF55 replacement charcoal filter are available for additional cost. Call toll-free 800.626.2000.

INSTALLATION INFORMATION: Before installing, consult installation instructions packed with product for current dimensional data.

ADDITIONAL ACCESSORIES:

JXS50SS 15" cabinet spacer
UXRC70 remote control

AMP RATING	
120V	2.5



Exhaust outlet connects to 3-1/4" x 10" rectangular duct. Vent top or rear. Includes rectangular damper.



For answers to your Monogram, Café™, GE Profile™ or GE Appliances product questions, visit our website at geappliances.com or call GE Answer Center® Service, 800.626.2000.



Listed by Underwriters Laboratories



PVX7300EJ/SJ/FJ

GE Profile™ 30" Under The Cabinet Hood

FEATURES AND BENEFITS

Easy installation - 10 minutes or less by one person

Four-speed with boost, 390 CFM venting system - Removes smoke, grease, odors and moisture

Glass touch controls - Set functions quickly and clean with little effort

Dual LED lighting with nightlight - Choose bright light while cooking or low light at night

Chef Connect - Sync your hood with your range using Bluetooth to automatically control your hood's lights and fan

Auto-off - Set the vent hood to automatically shut off after 15 minutes

Convertible venting options - Select recirculating or external venting

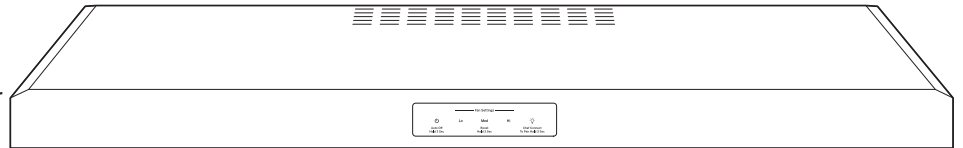
Appearance (Fully enclosed bottom) - Enjoy a sleek appearance from every angle

Optional remote control - Control your ventilation lighting and fan speed from anywhere in the kitchen

Model PVX7300SJSS - Stainless steel

Model PVX7300EJES - Slate

Model PVX7300FJDS - Black slate



CFM/SONES RATINGS	
Exhaust Boost Speed (BS)	390/8.0
Exhaust High Speed (HS)	310/6.0
Exhaust Medium Speed (MS)	210/4.0
Exhaust Low Speed (LS)	70/1.5



For answers to your Monogram, Café™, GE Profile™ or GE Appliances product questions, visit our website at geappliances.com or call GE Answer Center® Service, 800.626.2000.