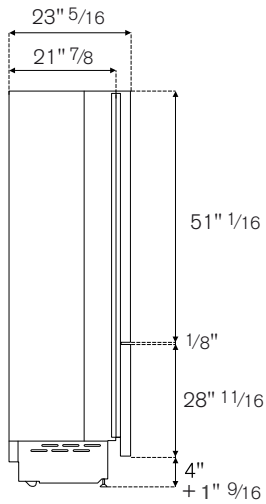
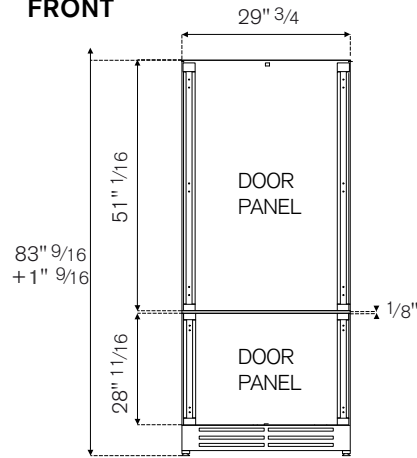
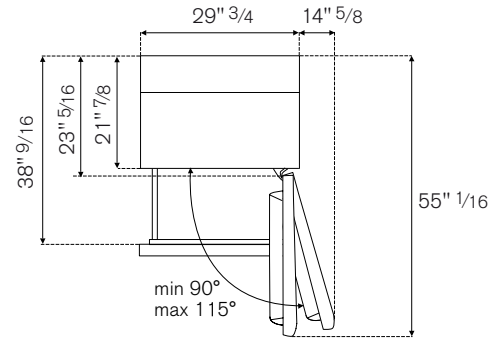
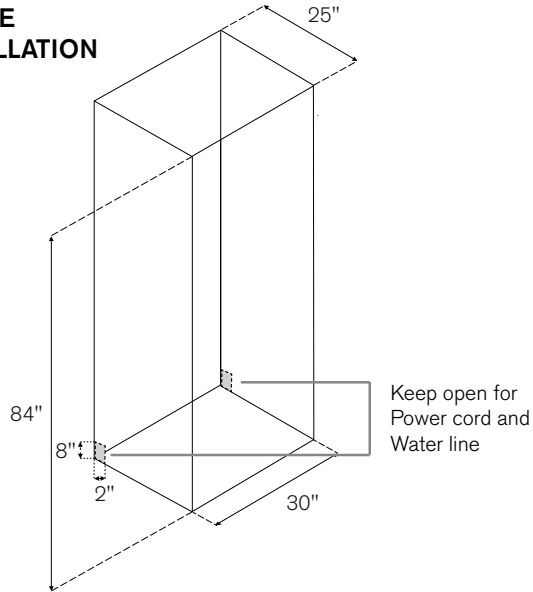
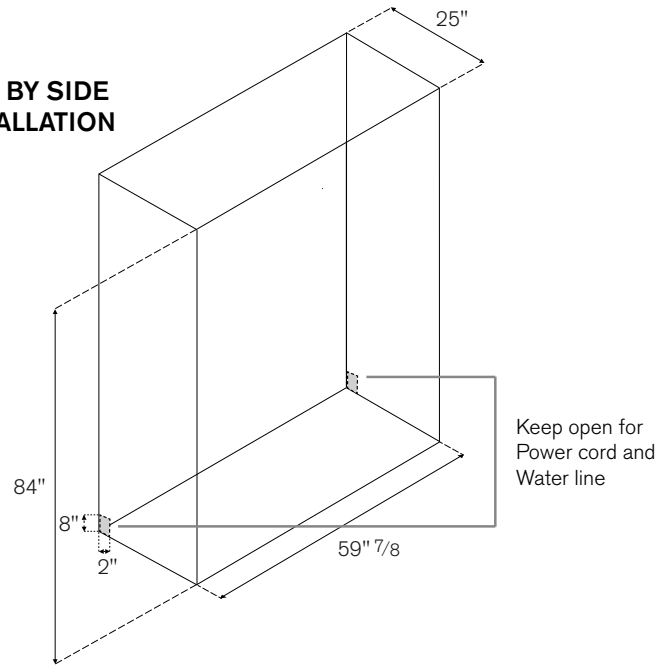


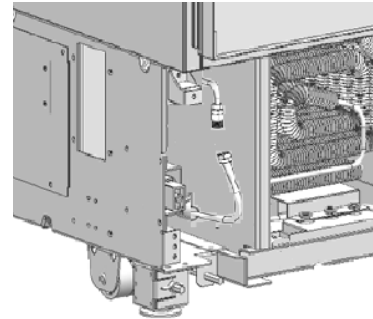
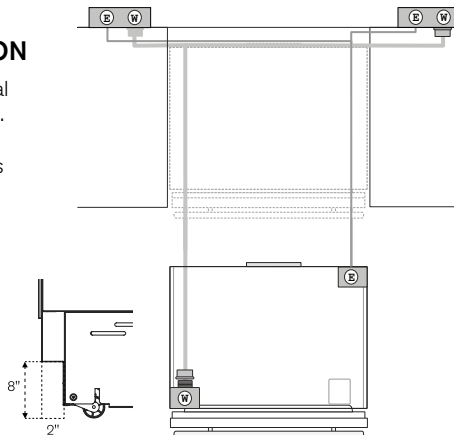
SIDE**FRONT****TOP**

+1" 9/16 for the adjustable max height of the leveling feet

CUTOUT DIMENSIONS**SINGLE INSTALLATION****SIDE BY SIDE INSTALLATION****ELECTRICAL & WATER CONNECTION**

A properly-grounded, electrical receptacle should be installed. A separate circuit breaker servicing only this appliance is recommended. Do not use a multi-purpose socket with other electrical appliances.

To connect to the water supply system, use a 1/4" waterline with accessible shut-off valve with a length of 60".

**INSTALLATION REQUIREMENTS**

If the appliance(s) is not connected through the side profile trims to secured cabinetry, anti-tip brackets must be installed. The max weight for the cabinet panel is 35 lbs (16kg) for the refrigerator door and 20 lbs (9kg) for the freezer door. For a flush installation, cabinet panels should not be thicker than 15/16".