

Dishwasher

Installation manual

DW80CB5450****, DW80CG5450****, DW80CG5420****,
DW80CG5020****, DW80CG5451****



SAMSUNG

Contents

Safety instructions	3
Important safety instructions	3
Before using your dishwasher	5
Installation	6
Product dimensions	11
Cabinet dimensions	12
Specifications	38



Scan this with your smartphone

Scan the QR code* to view our helpful installation videos.

* Requires reader to be installed on your smartphone.

Safety instructions

Throughout this manual, you will see Warning and Caution notes. The warnings, cautions, and the important safety instructions that follow do not cover all possible conditions and situations that may occur. It is your responsibility to use common sense, caution, and care when installing, maintaining, and operating the dishwasher. Samsung is not liable for damages resulting from improper use.

Important safety instructions

What the icons and signs in this installation guide mean:

 **WARNING**

Hazards or unsafe practices that may result in **severe personal injury or death**.

 **CAUTION**

Hazards or unsafe practices that may result in **personal injury or property damage**.

 **CAUTION**

To reduce the risk of fire, explosion, electric shock, or personal injury when using the dishwasher, follow these basic safety precautions:

 **NOTE**

Indicates that a risk of personal injury or material damage exists.

These warning signs are here to prevent injury to you and others.

Please follow them explicitly.

After reading this section, keep it in a safe place for future reference.



These installation instructions are intended for use by qualified installers.

If you are having problems installing this dishwasher
U.S.A

Please call: 1-800-SAMSUNG (726-7864)

1-844-SAM-PAYS (726-7297)

for assistance: www.samsung.com/us/support

CANADA

Please call: 1-800-SAMSUNG (726-7864)

for assistance: www.samsung.com/ca/support (English)

www.samsung.com/ca_fr/support (French)

SAVE THESE INSTRUCTIONS

Safety instructions

California Proposition 65 Warning



WARNING: Cancer and Reproductive Harm - www.P65Warnings.ca.gov

Read all instructions before using the appliance.

Install and store the dishwasher inside, away from exposure to weather.



CAUTION

- Do not install the dishwasher near electrical components. Keep the dishwasher away from open flames.
- Do not install the dishwasher on a carpet as this is a fire hazard.
- Do not install the dishwasher in a location where the water may freeze (where the temperature falls below 32 °F (0 °C)). Frozen water in the hoses or pipes may damage the dishwasher.
- As with all equipment using electricity, water, and moving parts, potential hazards exist. To safely operate this appliance, become familiar with its operation and exercise care when using it.

The dishwasher must be properly grounded. Never connect it to an ungrounded outlet. Prior to removal of original dishwasher and the installation of your new unit, make sure to switch off your circuit breaker. Do not connect the dishwasher until you have completed the installation. Connecting the power cable is the last step when installing the dishwasher.

All wiring and grounding must be done in accordance with the electrical code applicable to the region.

GROUNDING INSTRUCTIONS

For a permanently connected appliance:

This appliance must be connected to grounded metal, a permanent wiring system, or an equipment-grounding conductor must be run with the circuit conductors and connected to the equipment-grounding terminal or lead on the appliance.

The dishwasher is very heavy. Do not attempt to move or carry a dishwasher alone. Two or more people are needed to move a dishwasher and avoid potential injuries.



CAUTION

- If the power cable is damaged, it must be replaced by the manufacturer, a service agent or similarly qualified person in order to avoid a hazard.
- Do not touch the power cable with wet hands.
- Do not connect another appliance to the same power outlet as the dishwasher.

SAVE THESE INSTRUCTIONS

Make sure to use a new water supply line. Old lines are susceptible to breakage because they become hardened and may cause property damage due to a water leakage.

The dishwasher must be connected to a hot water supply with a temperature between 120 °F (49 °C)~149 °F (65 °C). This temperature range provides the best washing result and shortest cycle time. Temperature should not exceed 149 °F (65 °C) to prevent damage to dishes.

Ensure that the water supplied to the dishwasher does not freeze. Frozen water can damage the hoses, valves, pump, or other components.

Certified residential dishwashers are not intended for licensed food establishments. (NSF/ANSI Standard 184 for Residential Dishwashers)

For a full list of safety information, please refer to the User Manual.

Before using your dishwasher

WARNING



Tip-Over Hazard

- Do not use the dishwasher until it is correctly installed.
- Do not push down on the dishwasher door when it is open.
- Do not place excessive weight on the dishwasher door when it is open.



Electric Shock Hazard

Failure to follow these instructions can result in death, fire, or electric shock:

- Electrically ground the dishwasher.
- Connect the ground wire to the green ground connector in the junction box.
- Do not use an extension cord.

To reduce the risk of electric shock, fire, or injury to persons, the installer must ensure that the dishwasher is completely enclosed at the time of installation.

SAVE THESE INSTRUCTIONS

Installation

Be sure that you or your installer follow these instructions closely so that the new dishwasher works properly and that you are not at risk of injury when washing dishes.

STEP 1 Check the parts and tools

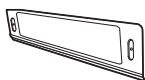
Before starting on the installation, prepare all the necessary tools and parts required to install the dishwasher. This will save installation time and simplify the installation process.

Parts required

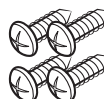
Provided with the dishwasher. Check when you unbox the dishwasher in **STEP 5**.



2 Installation brackets



Kick Plate



4 screws
(for the Bracket Installation)



Protective sticker



Nut connector & seal
(for $\frac{3}{4}$ " 90° fitting)



4 plastic caps



2 black color screws
(for the Kick plate)



2 screws
(for the bespoke door)



2 plastic caps
(for the bespoke door)

Not provided



Power cable



Twist on wire connector



Strain relief



Electrical tape & Standard duct tape



Hot water supply line



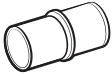
90° Fitting (3/4")



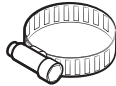
Tube fittings



Air gap



Rubber connector



Hose clamp

NOTE

For the hot water supply line - We strongly recommend using $\frac{3}{8}$ " minimum O.D. copper tubing with a compression fitting or a flexible stainless steel braided hot water supply line.

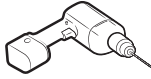
[Warning: Do not use plastic tubing. Plastic tubing can deteriorate over time and cause a leak inside the tube fitting.]

You also need a 90° Fitting with $\frac{3}{4}$ " N.P.T. external pipe threads on one end and a fitting sized to fit your hot water supply line (copper tubing/compression fitting or braided hose) on the other.

For the power cable, we recommend a jacketed 12-2 cable with ground. Note that some local codes may require the cable to have a BX style metal jacket.

Installation

Tools required



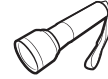
Electric drill



Safety glasses



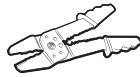
Gloves



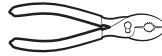
Flashlight



Adjustable wrench



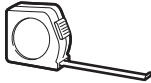
Wire stripper



Pliers



Nipper



Tape measure



Pencil



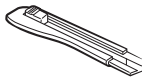
Phillips screwdriver



Flat screwdriver



Tubing cutter



Cutting knife



Hole saw



Level



Torx t20



Hex L-wrench



Suction cup

NOTE**New installation**

If the dishwasher is a new installation, most of the installation work must be done before the dishwasher is moved into place.

Replacement

If the dishwasher is replacing an old dishwasher, you must check the existing dishwasher connections for compatibility with the new dishwasher. Replace the existing connections as necessary.

STEP 2 Select the best location for the dishwasher

The following criteria are important to ensure the best location for the dishwasher:

- The location must have a solid floor that is able to support the weight of the dishwasher.
- The location must be near a sink with easy access to the water supply, drain, and electrical outlet.

NOTE

For the drain to operate properly, the dishwasher should be installed within 9.8 ft (3 m) of the sink.

- The location must let you load your dishes into the dishwasher easily.
- The location must have sufficient space for the dishwasher door to open easily and provide enough space between the dishwasher and the cabinet sides (at least 0.1 in (2 mm)).

NOTE

If the dishwasher is installed in a corner, ensure that the side of the dishwasher is more than 2 in. (50 mm) from the wall or cabinet to its right or left.

- The wall at the back must be free of obstructions.
- Make sure the cabinet for the dishwasher is secured to the floor. If the cabinet is not secured, it may increase noise when the dishwasher is operating.

Installation

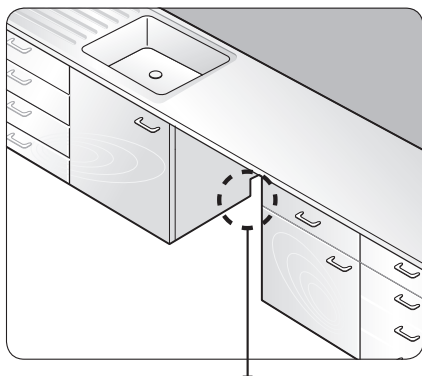
If this is a new installation, follow these steps:

1. Using a 2½ inch hole saw, cut a hole into the side of the cabinet that holds the sink as shown in **Figure 1-1** below.
2. If the base inside the sink cabinet is raised above the kitchen floor and is higher than the connections on the dishwasher, make a hole in the base inside the cabinet and in the cabinet side as shown in **Figure 1-2**.

NOTE

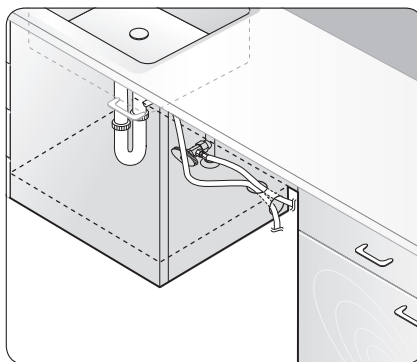
Depending on where your electrical outlet is, you may need to cut a hole in the opposite cabinet side.

Figure 1-1



The hole for the water supply line, drain hose and power cables.

Figure 1-2



CAUTION

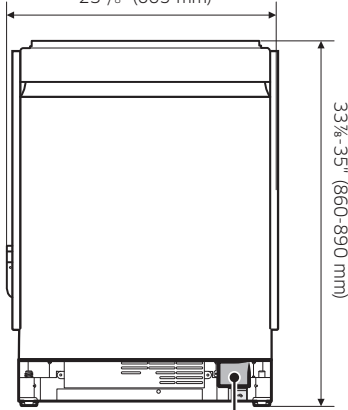
Make sure the edges of the cabinet hole are smooth before you insert the drain hose through the hole. Sharp edges from the cabinet hole may cause damage to the drain hose, resulting in a leak from the hose.

Product dimensions

Front view

DW80CB5450****

23⁷/₈" (605 mm)

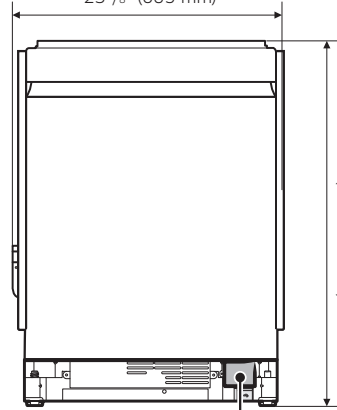


33³/₈-35" (860-890 mm)

Junction box

DW80CG5450****, DW80CG5420****, DW80CG5020****

23⁷/₈" (605 mm)

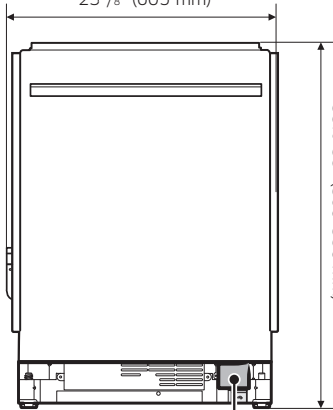


33³/₈-35" (860-890 mm)

Junction box

DW80CG5451****

23⁷/₈" (605 mm)

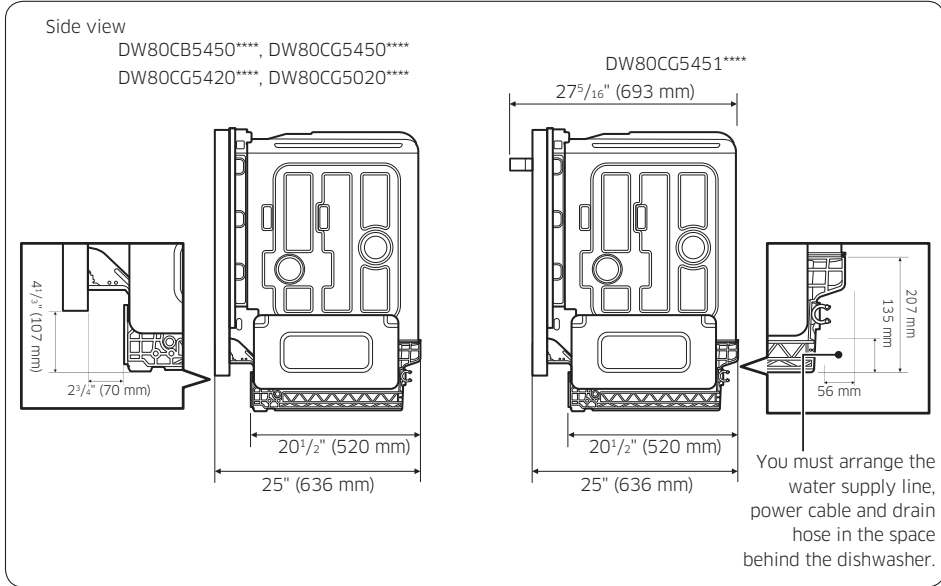


33³/₈-35" (860-890 mm)

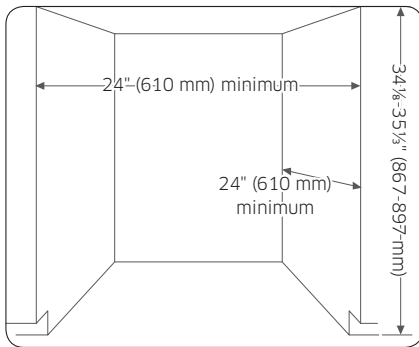
Junction box

Installation

Installation



Cabinet dimensions



NOTE

This dishwasher is designed to be enclosed on the top and on both sides by a standard residential kitchen cabinet unit.

The installation cabinet must be clean and free of any obstructions.

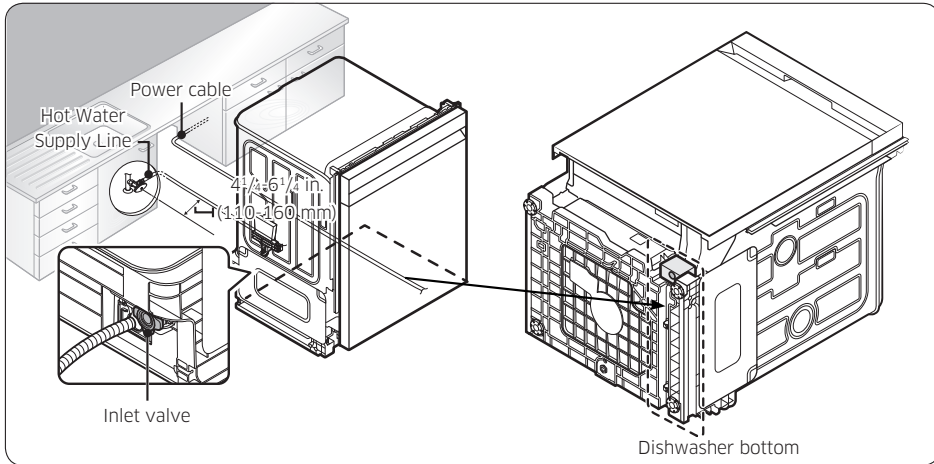
The cabinet must be at least 24 inches wide, 24 inches deep, and 34¹/₈ inches high.

For the front door of the dishwasher to be flush with the leading edge of the counter top, the counter top must be at least 25 inches deep.

STEP 3 Check water supply requirements and cautions

- The hot water supply line pressure must be between 20~120 psi (140~830 kPa).
- Adjust the water heater to deliver water between 120 °F (49 °C)~149 °F (65 °C).
 - The dishwasher must be connected to a hot water supply between 120 °F (49 °C)~149 °F (65 °C). This temperature range provides the best washing result and shortest cycle time. Temperature should not exceed 149 °F (65 °C) to prevent damage to dishes.
 - Ensure that the water supply valve is turned off before connecting the hot water supply line to the dishwasher.
 - Seal the hot water supply line connections using teflon tape or sealing compound to stop any water leakage.
 - The drain hose connected to the dishwasher must be run through the hole in the side wall so it can be connected to the drain outlet of the sink. When you install the dishwasher, ensure there is nothing on the drain hose and be careful not to damage it during the installation process.

Figure 2



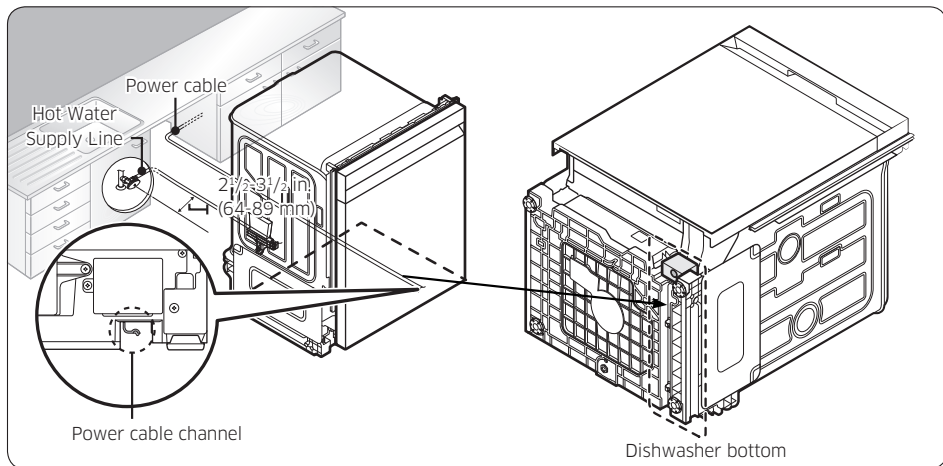
Installation

STEP 4 Check the electrical requirements and cautions

The electrical requirements for the dishwasher are as follows:

- In the United States, install in accordance with the National Electric Code/State and Municipal codes and/or local codes.
- In Canada, install in accordance with the Canadian Electric Code C22.1-latest edition/ Provincial and Municipal codes and/or local codes.
- For cable direct connections.
 - Use flexible, armored or non-metallic sheathed, copper wire with a grounding wire that meets the wiring requirements for your local codes and ordinances.
 - Use the strain relief method provided with the wiring junction box or install a U.L.-listed/CSA-certified clamp connector to the wiring junction box. If using conduit, use a U.L.-listed/CSA-certified conduit connector.

Figure 3

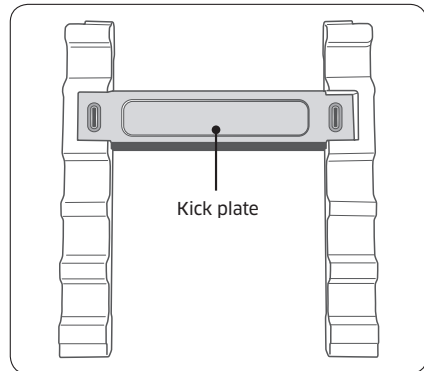


STEP 5 Unpacking and inspecting the dishwasher

Unpack the dishwasher in an open area free of obstruction both around the packaging and overhead. We recommend that you retain all of the packing materials until the dishwasher is fully installed and operational to ensure you have removed all the product's components from the packing materials prior to disposal.

Unpacking

1. Position the carton right-side-up with top arrows pointing upwards.
2. Unbuckle or cut the straps securing the packaging.
3. Unpack the product packaging with care.
4. Put the straps and all of the packing materials from around the dishwasher inspecting them for any signs of damage.
5. Locate and set aside the dishwasher's kick plate. The Kick plate is attached to packing material of the dishwasher.



6. Lift the dishwasher from the packing tray, and then place it on the floor.

CAUTION

- ALWAYS LIFT THE DISHWASHER TO MOVE IT. Sliding it over rough surfaces can damage the dishwasher's feet and sliding the feet over finished surfaces can, in some cases, damage that finish or the underlying surface.
7. There is also packing inside the dishwasher that you may want to leave in place until the dishwasher is installed.
 8. DO NOT, under any circumstances, remove the sound-absorbent padding that surrounds the exterior of the tub of the dishwasher.

Installation

Inspecting

Mechanical

1. Check the plastic base assembly to ensure that it is intact
2. Check the dishwasher's feet to ensure they are in place and can be adjusted so you can level and secure the dishwasher.
3. Check all the visible components on the bottom of the dishwasher to ensure they are intact and secure.
4. Check the door latch, the operation of the hinges, and confirm the door is properly secured to the dishwasher.

Plumbing

1. Check the hot water connection on the back left-side of the base of the dishwasher. The mounting plate should be secured to the back of the base, the threads inside the connection should be smooth and shiny, and the area should be clean and free of any debris.
2. Make sure the dishwasher and the accessories are all included in the package to ensure these assemblies are not cracked and that all connections are secure.
3. Check the drain hose for any holes or deformities that could allow a water leak during draining.

Electrical

1. Confirm the junction box cover is secured to the junction box on the front right-side of the base of the dishwasher.
2. Confirm the electrical box was not damaged during shipping and that it is secured to the base of the dishwasher.

Appearance

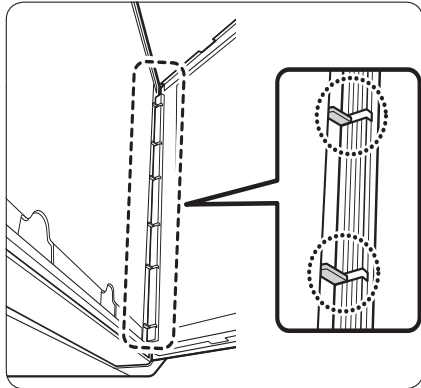
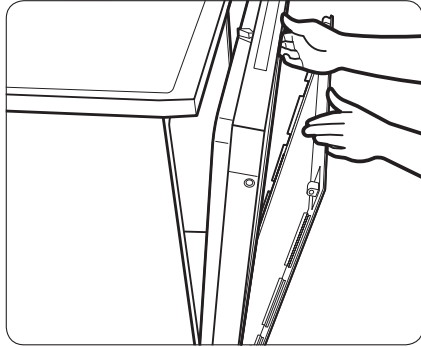
1. Confirm there are no dents or scratches on the front of the dishwasher.
2. Check the edges of the doors for any roughness or cracking.
3. Check the control panel to ensure it is clear and unscratched, and that all the control markers are in their proper places.

Parts

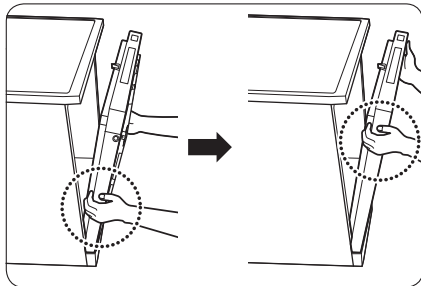
Confirm you have all the parts listed in **STEP 1** on **page 6**.

STEP 6 Mounting the Bespoke panel (applicable models only)

1. Open the door and fit the Bespoke panel in the front bottom of the door. Make sure that the ribs of the panel fit into the corresponding holes (totaling 6) of the door.



2. While holding the door and the Bespoke panel with both hands, press the panel evenly from bottom to top to lock into the dishwasher.

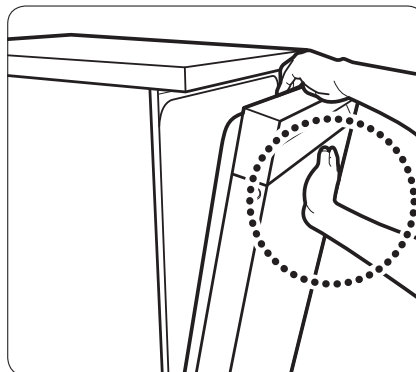


Installation

3. When both sides of the panel lock into place, press the top center of the Bespoke panel to secure it to the top of the door.

NOTE

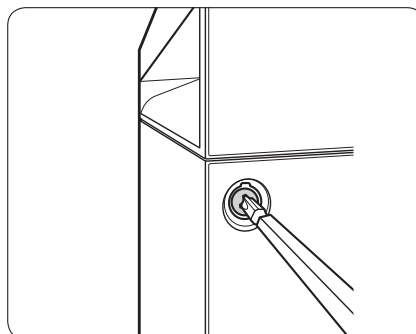
- Make sure that the Bespoke panel fits in the dishwasher properly.
- If the gap between the dishwasher and the Bespoke panel is below 2 mm, proper installation is done. For 2 mm or more, remove the Bespoke panel and try again.



4. Unpack the caps and screws (two for each) included in the product package.
5. Tighten the screws on either side of the dishwasher.

NOTE

When tightening the screw on either side, make sure to check the gap between either side as the Bespoke door may lean in either side.



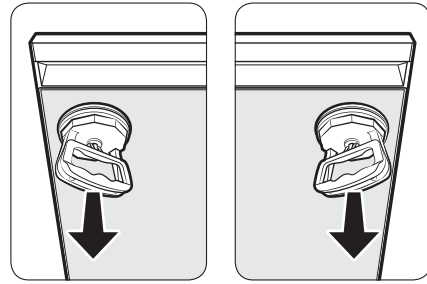
NOTE

After inserting the panel, check it with bare eyes.

If the panel is not correctly inserted, or the gaps are not even in all four corners, reinstall the panel.

Reinstallation

Remove the screws on both sides of the door. Then, put the suction cups on the panel, one in the top left area of the panel and the other in the top right. Pull up the handles of the suction cups to remove the panel, then install the panel again.



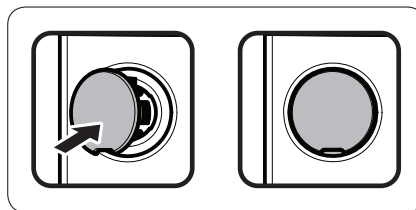
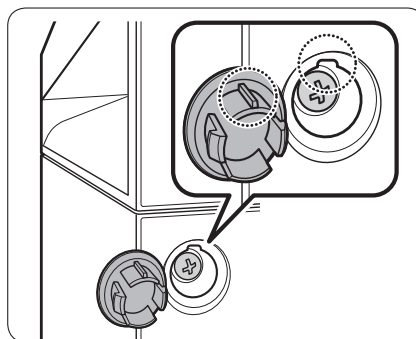
CAUTION

- Using the cups in the center area may bend the panel. Make sure to put the suction cups in the top left and top right areas of the panel. Then, pull up the handle just once for each.
- Make sure the door is secured and stable before using the suction cups.

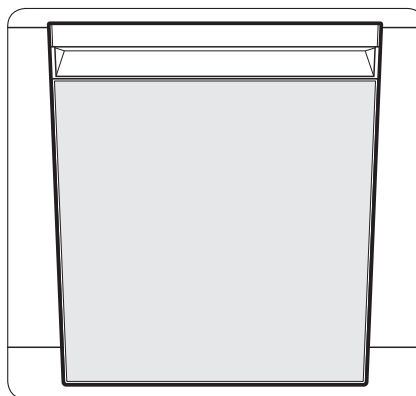


Installation

6. Insert the caps on either side. Make sure the rib of the cap fits in the hole of the dishwasher in the right direction.



7. This is the completion of mounting the Bespoke panel.



CAUTION

Any third-party panel other than Samsung's Bespoke panel (available in Samsung authorized retailers) is not allowed for attachment. The customer is responsible for any problem resulting from such a third-party panel.

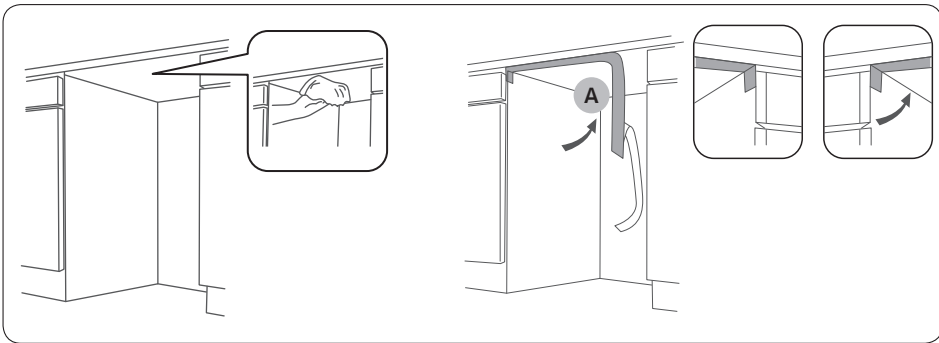
STEP 7 Preparing the dishwasher

1. Attach the protective sticker (A).

- To prevent damage, put the protective sticker on the bottom of the counter top as shown in the picture.

NOTE

- Before putting the protective sticker, clean the counter top as shown in the picture.
- For information, the length of the protective sticker is 26 inches (660 mm).



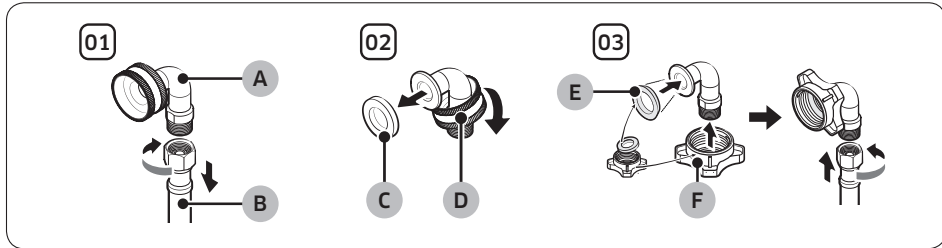
2. Ensure that the circuit breaker and water supply valve are turned off before proceeding with the following steps.

CAUTION

Before you move or lay down the dishwasher for installation, make sure to adjust the height of the legs so the legs are as short as possible. This prevents the legs from breaking. Level the dishwasher by adjusting the height of the legs after you have the dishwasher in place.

Installation

3. Use the provided nut connector to connect the water hose to the dishwasher. Follow these steps:



- 01 Disconnect the 90° fitting (A) from the hose (B).
 - 02 Remove the seal (C) and the nut (D) from the 90° fitting.
 - 03 From the provided nut connector, separate the seal (E) and the nut (F), and then assemble them to the 90° fitting as shown in the figure. You must insert the smaller side of the seal.
4. Then, insert the $\frac{3}{4}$ " 90 degree fitting into the inlet valve (See **Figure 4-B**). Tighten until the $\frac{3}{4}$ " fitting is tight. Do not over tighten.
 5. Detach the Velcro strips that secure the drain hose to the back of the dishwasher. Roll-out the hose. Make sure there are no kinks and that the hose is not bent at any extreme angles that could constrict the flow of water.
 6. Remove the junction box cover located at the bottom front right of the dishwasher using a screwdriver, and then Install the strain relief (**Figure 4-C**). Make sure to keep the junction box cover you removed. It is used in **STEP 12**, Wiring Connections.
 7. If the countertop is made of wood or a material that is not damaged by drilling, attach the two (2) Installation brackets that were supplied with the dishwasher using the supplied screws (**Figure 4-A**). They will be used in **STEP 10**, Securing the Dishwasher.

If the drain hose needs to go to the right of the dishwasher, secure the drain hose into the drain hose bracket, mounted on the base.

The drain hose bracket can be adjusted in 3 positions. To adjust the height of the drain hose bracket, gently squeeze the bracket and turn it too the left. Insert the bracket in the desired position and turn it to the right to lock it into place.

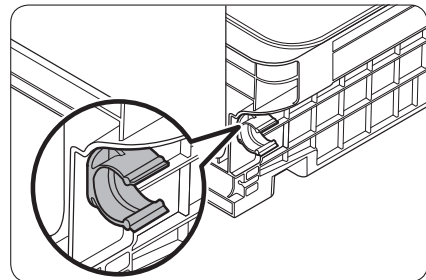
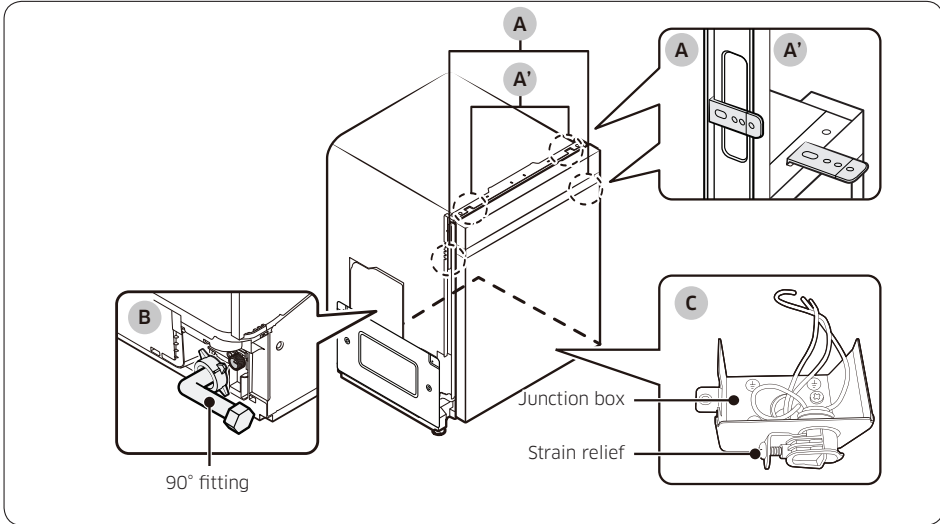


Figure 4



⚠ CAUTION

Do not overtighten the 90° Fitting. (Below 280 lb·in (31.6 N·m))
Doing so may damage the water inlet valve and cause a water leak.

Installation

STEP 8 Placing the dishwasher and connecting the hot water supply line

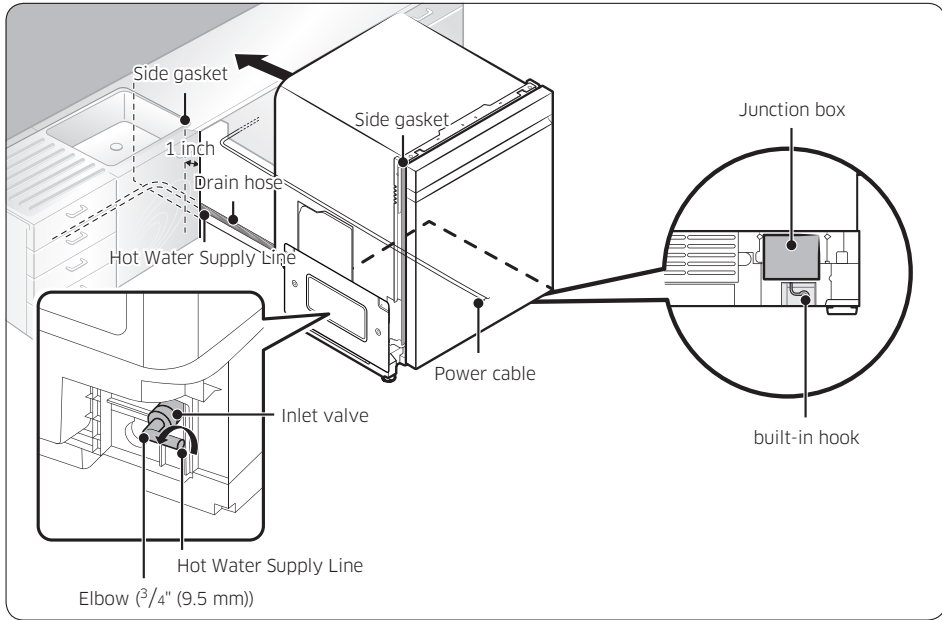
1. Adjust the three leveling legs at the bottom of the dishwasher after measuring the height of the cabinet opening from under the countertop to the floor. (See **STEP 9**, Leveling the Dishwasher.)
2. Locate the hot water supply line and the power cable.
3. Place the dishwasher so that the hot water supply line is in the left side and the power cable is in the right channel of the base of the dishwasher. The right-side channel for the power cable has a built-in hook on the base so that you secure the power cable.
4. Pull the drain hose through the hole in the sink cabinet side wall. Keep it free of kinks.
5. Make sure the hot water supply line is not twisted, and then connect the hot water supply line to the fitting joint.
6. Slide the dishwasher carefully into the installation space. If possible, gently pull any excess lengths of water supply line, drain hose, or power cable back as you move the dishwasher. Get a second person to help you do this if necessary.

CAUTION

Do not place the dishwasher on the water supply line, drain hose, or power cable. Also, make sure they are not folded or twisted.

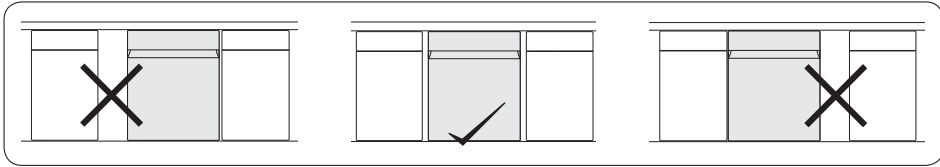
- Make sure the supply line is properly connected. Wrap Teflon tape around every connection to prevent water leaks. Make sure the side gaskets are inserted seamlessly. Otherwise, it may increase noise when the dishwasher is operating.
- Make sure both side gaskets are $\frac{13}{16}$ " to 1" (20-25 mm) backward from the front end of the kitchen cabinet. Less distance may increase noise when the dishwasher is operating.

Figure 5



⚠ CAUTION

Do not overtighten the 90° Fitting.
Doing so may damage the water inlet valve and cause a water leak.

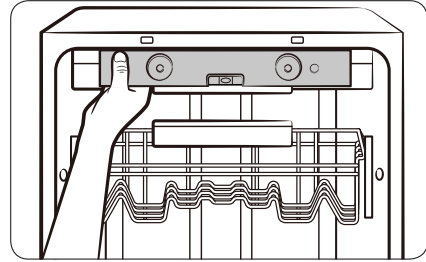


Make sure the dishwasher is positioned to the center.

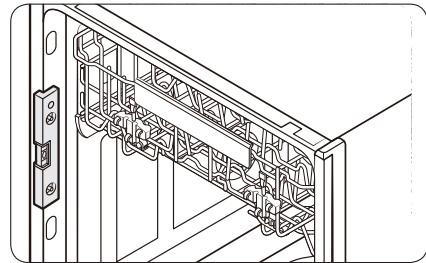
Installation

STEP 9 Leveling the dishwasher

1. Open the door and place the level against the top of the tub on the inside and check if the dishwasher is level. If it is not level, rotate the leveling legs at the bottom front of the dishwasher until the dishwasher is level. See the first note below for instructions on adjusting the height of the front legs.



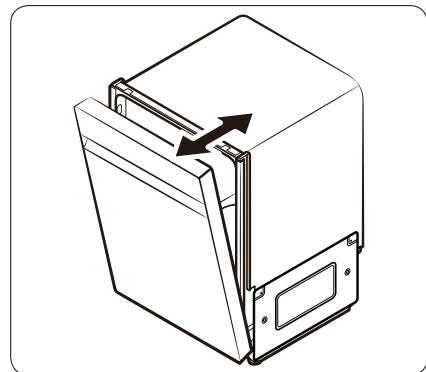
2. Use the level to check if the dishwasher is level front to back, as shown in the figure to the right. If the dishwasher is not level front to back, adjust the height of the rear leg until the dishwasher is level. See the second note below for instructions on adjusting the rear leg.



NOTE

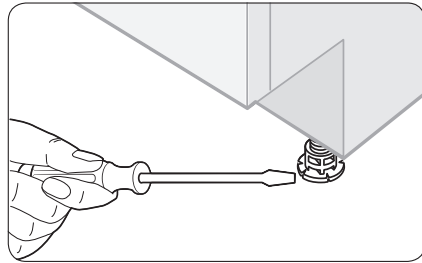
To prevent leaks from the door, make sure that the front of the dishwasher is not lower than the back.

3. Open the door of the dishwasher and check if both the tub and door clearances are correct. If not, rotate the leveling legs on the bottom front of the dishwasher. You can also check this by placing a level against an inside front vertical surface of the tub.



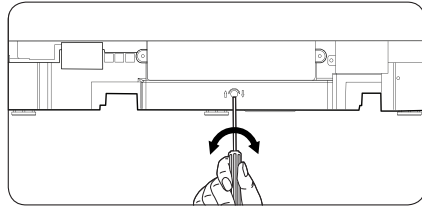
NOTE

- If the leveling legs are rotated to the left (clockwise), they are loosened and the front of the dishwasher is raised. If they are rotated to the right (counter clockwise), they are tightened and the front of the dishwasher is lowered.
- You can adjust the leveling legs by a max of $\frac{16}{32}$ " However, leveling up to the max height is not recommended.



NOTE

To adjust the height of a rear leg, turn the T20 Torx (at the front of the base) to the left to raise the back of the dishwasher using the proper tool (T20 Torx).



CAUTION

- Before you move the dishwasher for installation, make sure to adjust the height of the legs so the legs are as short as possible. This prevents the legs from breaking. Level the dishwasher by adjusting the height of the legs after you have the dishwasher in place.
- If the product is installed unlevelled or with the leg missing, the door may not close completely, causing a leak of steam or water.
- When adjusting the height of the dishwasher, make sure the top gasket is inserted seamlessly underneath the top of the kitchen cabinet. Otherwise, it may increase noise when the dishwasher is operating.

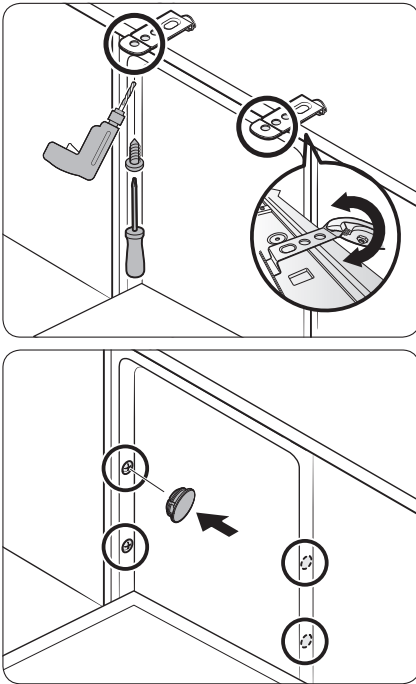
Installation

STEP 10 Securing the dishwasher

You must secure the dishwasher to the countertop or cabinet side walls for additional stability and safety.

To the countertop

If the countertop is made of wood or the material will not be damaged by drilling, follow this.



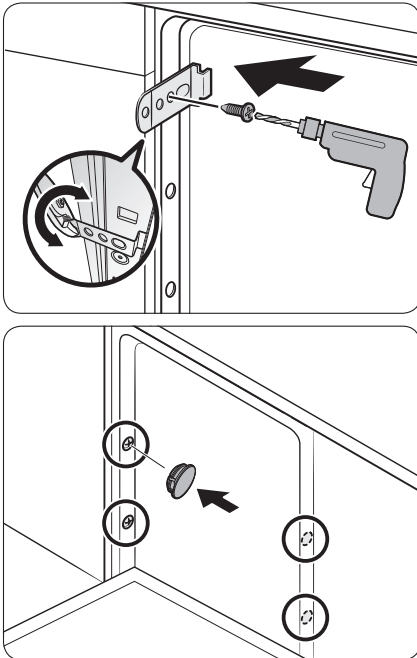
1. Put a large towel into the bottom of the dishwasher (covering the filter) to prevent wood shavings or a dropped screw from falling into the sump.
2. Insert the provided brackets into the top front holes of the dishwasher as shown.
If the brackets are too long, cut them down using pliers.
3. Pre-drill the overlapping holes of the brackets.
Make sure the hole is smaller than the diameter of the screw.
4. Tighten the provided screws.
5. Assemble the provided plastic caps as shown.

⚠ CAUTION

- After installing the dishwasher inside the cabinet, check if the door opens and closes freely with no interruption with the cabinet.
- If the plastic caps are not assembled, water may leak and cause a fire or electric shock.

To the sides

If the countertop is made of granite, marble, or any other material that can be damaged by drilling, follow this.



1. Put a large towel into the bottom of the dishwasher (covering the filter) to prevent wood shavings or a dropped screw from falling into the sump.
2. Insert the provided brackets into the side front holes of the dishwasher as shown.
If the brackets are too long, cut them down using pliers.
3. Pre-drill one hole into both sides of the kitchen cabinet.
Make sure the hole is smaller than the diameter of the screw.
4. Tighten the provided screws.
5. Assemble the provided plastic caps as shown.

⚠ CAUTION

- After installing the dishwasher inside the cabinet, check if the door opens and closes freely with no interruption with the cabinet.
- If the plastic caps are not assembled, water may leak and cause a fire or electric shock.

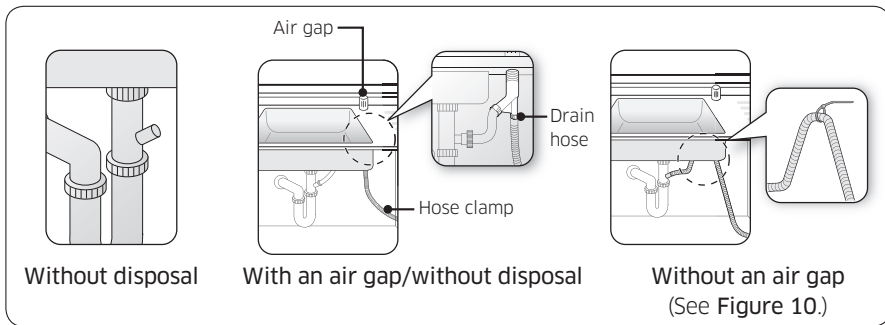
Installation

STEP 11 Securing

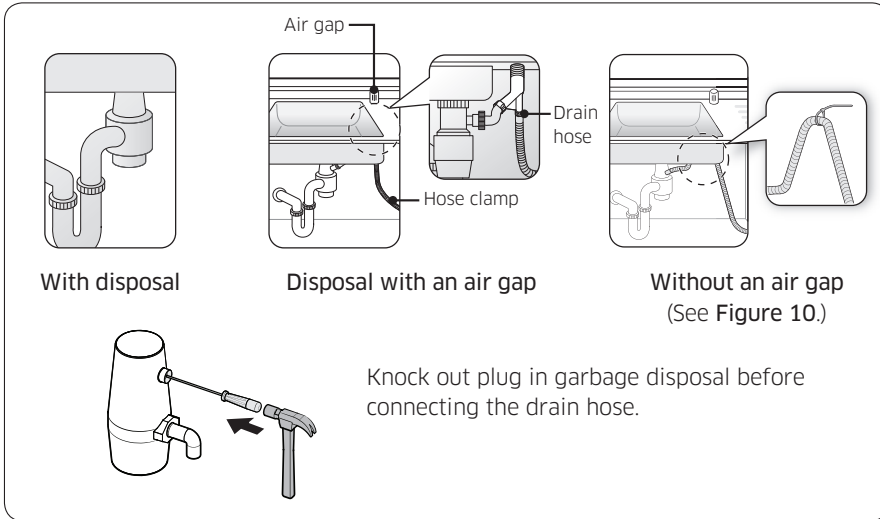
1. Check the parts on the sink to which the drain hose will be connected.
2. There are several ways to insert the drain hose into the drain hose connector of the sink, as shown in the following figures. You must connect the drain hose in accordance with the water pipe installation regulations in your region.

Figure 8

Case 1. Without disposal



Case 2. With disposal



3. Check the size of the sink's drain hose connector. If needed, cut the drain hose so its end fits onto the sink connector ($\frac{5}{8}$ in. or 1 in. - as shown in **Figure 9** below). If the end of the drain hose does not fit onto the drain hose connector of the sink, use an adaptor purchasable at a plumbing/hardware supply store.
4. Slide a hose clamp over the end of the drain hose. Attach the drain hose to the sink connector, slide the hose clamp to the end of the hose, and then tighten the hose clamp.

NOTE

You must use a hose clamp. Failure to do so may cause water leakage.

5. To prevent backflow, secure the drain hose to the side or back wall of the kitchen cabinet using cable ties or other fixtures. Make sure the drain hose height is at least 10 inches from the sink connector. (See **Figure 10**.)
6. When drilling a hole for the drain hose on the cabinet wall, take caution not to damage the drain hose by sharp edges of the hole. On wooden walls, use sand paper to soften the edges.
On metal walls, use insulation tape or duct tape to cover the sharp edges around the hole.

Installation

7. Take caution not to damage the drain hose when installing the dishwasher on the floor, wall, or cabinet.

NOTE

To prevent leaks or drainage problems, make sure the drain hose is not damaged, kinked, or twisted.

(When extending the drain hose, the possible length is up to 3M.)

8. Do not cut the ribbed area of the drain hose to fit the size. When arranging the drain hose, take caution not to contact on sharp edges of the cabinet or under-sink.

CAUTION

- Be careful when cutting off the end of the drain hose as there is a risk of injury. Clean around the sink's drain connection so that it does not damage the hose. Check for any foreign items in the drain hose and remove them.
- When arranging the drain hose, make sure the drain hose is not cut, torn, or broken by any sharp edges of the floor, the product itself, or the cabinet. A damaged drain hose causes a leak.
- Make sure to remove the plug from the food disposal.

Figure 9

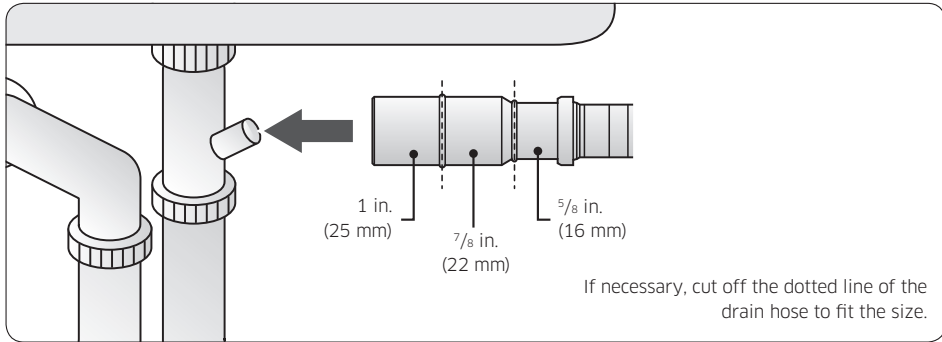
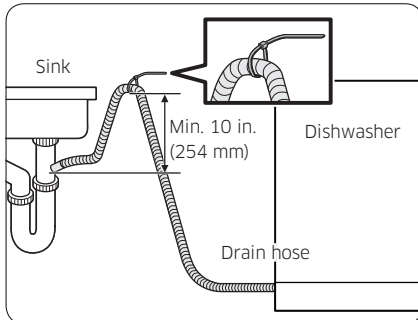


Figure 10



To prevent backflow for models without the air gap, secure the drain hose to the side wall of the kitchen cabinet using cable ties or other fixtures. Make sure the drain hose is high at least 10 inches from the sink connector.

Installation

STEP 12 Wiring connections

1. Before connecting the power cable to the dishwasher, make sure the circuit breaker is off.
2. In the junction box located at the front bottom right of the dishwasher, find the three power wires from the dishwasher including the grounding line.
3. Pass the power cable through the strain relief, and then into the junction box (Figure 11).
4. Connect the black wire of the dishwasher to the black wire of the power cable by inserting both into a wire nut, and then rotating the wire connector as shown in Figure 12.
Connect the white wire to the white wire and the green to the green in the same manner.
5. Recheck each wire to ensure it is connected correctly and securely.
Each colored wire should be connected to the corresponding wire of the same color.
White should be connected to white, black to black, and green to green.
6. Reconnect the junction box cover on the dishwasher.

Figure 11

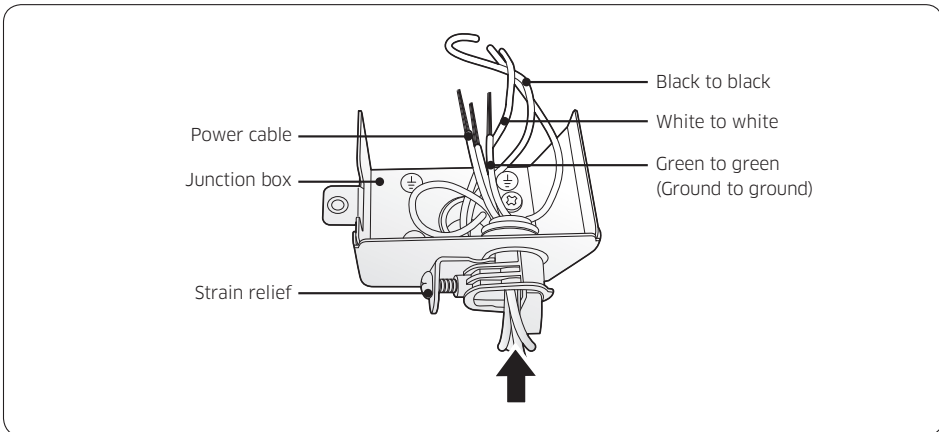
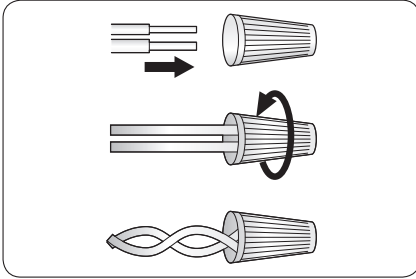


Figure 12



⚠ WARNING

- **Electrical Shock Hazard**
To avoid electrical shock, do not work on an energized circuit. Doing so could result in serious injury or death. Only qualified electricians should perform electrical work. Do not attempt any work on the dishwasher electric supply circuit until you are certain the circuit is de-energized.
- **Fire Hazard**
To avoid a fire hazard, make sure electrical work is properly installed. Only qualified electricians should perform electrical work.

📄 NOTE

Recheck each wire to ensure it is connected correctly and securely. Each colored wire should be connected to the corresponding wire of the same color. The wire should not be twisted counterclockwise.

Installation

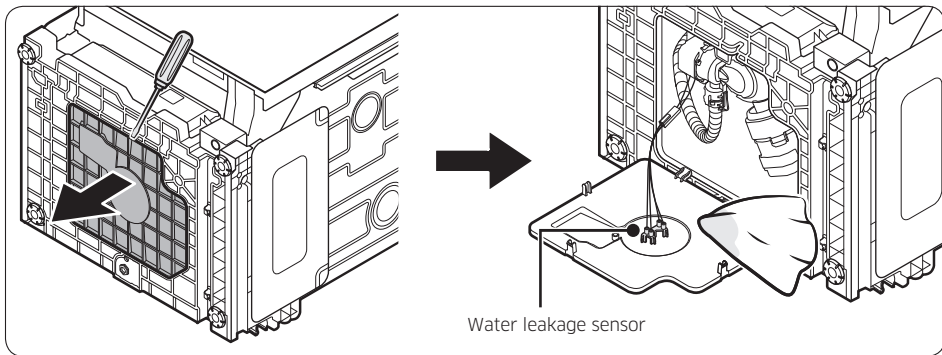
STEP 13 Completing the installation

1. Open the door and remove all foam, paper packaging, and unnecessary parts.
2. Turn on the circuit breaker you turned off before you began the installation.
3. Open the water supply valve to supply water to the dishwasher.
4. Turn on the dishwasher, and then select and run a cycle.

⚠ CAUTION

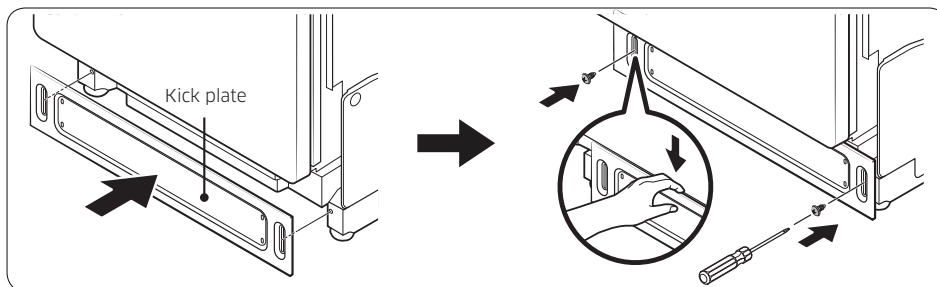
Make sure to check for water leakage on both ends of the water supply line and drain hose connector.

5. Check if the dishwasher turns on properly and check also if there is any leak. If there is no problem, turn the dishwasher off. Skip **Steps 6 through 11** and go to **Step 12**.
6. If the leakage check code of "LC" appears on the window panel, press and hold the **Start** button for more than 3 seconds to start draining. When the draining is complete, unplug the dishwasher and close the water supply valve.
7. Check if the inlet valve leaks. If so, reconnect the 90° fitting with the hot water supply line because they are not properly connected.
8. Once the leak is stopped, lay down the dishwasher as shown, and wipe out moisture from the water leakage sensor.



9. Plug in the dishwasher, open the water supply and start the Smart Install Cycle.
 - a. With the power on, press **Delay Start** until "17h" is displayed.
 - b. Press **Hi-Temp Wash** for 7 seconds until "AS" is displayed.
 - c. Press **START** and closes the door. The Smart Install Cycle will start.
 - d. The Smart Install Cycle will run for about 7 minutes.
 - e. Then the dishwasher door will open and flash the number "5" for about 1 minute.
 - f. Then "Ot" will be displayed upon successful completion of the Smart Install Cycle.

-
10. If the “LC” information code continues to appear on the window panel, contact a local service center.
 11. Finally, attach the kick plate to the bottom of the dishwasher. While keeping the rubber skirt of the door taut, push the kick plate from the front of the rubber skirt inward underneath the door of the dishwasher. Make sure the gaskets of the kick plate are flush with the floor and side walls. Then, tighten the screws to fix the plate.



⚠ CAUTION

Make sure the kick plate does not interfere with the dishwasher's door opening and closing. Try to open the door 90 degrees, and make sure the door fully opens without any noise.

Specifications

Power supply	120 V, 15 A, 60 Hz AC
Water pressure	20~120 psi (140~830 kPa)
Dimensions (Width × Depth × Height)	23 ⁷ / ₈ × 25 × 33 ⁷ / ₈ in. (605 × 636 × 860 mm) (DW80CB5450**** / DW80CG5450**** / DW80CG5420**** / DW80CG5020****)
	23 ⁷ / ₈ × 27 ⁵ / ₁₆ × 33 ⁷ / ₈ in. (605 × 693 × 860 mm) (DW80CG5451****)
Minimum inlet water temperature	120 °F (49 °C)

NOTE

Specifications are subject to change without notice for quality improvement purposes.
The actual appearance of the dishwasher may differ from the illustrations in this manual.

Memo

QUESTIONS OR COMMENTS?

COUNTRY	CALL	OR VISIT US ONLINE AT
U.S.A - Consumer Electronics - Mobile Phones	1-800-SAMSUNG (726-7864) 1-844-SAM-PAYS (726-7297)	www.samsung.com/us/support
MEXICO	800-SAMSUNG	www.samsung.com/mx/support



DD68-00260A-00

Lavavajillas

Manual de instalación

DW80CB5450****, DW80CG5450****, DW80CG5420****,
DW80CG5020****, DW80CG5451****



SAMSUNG

Contenidos

Instrucciones de seguridad	3
Instrucciones de seguridad importantes	3
Antes de usar la lavavajillas	5
Instalación	6
Dimensiones del producto	11
Dimensiones del gabinete	12
Especificaciones	38



Scan this with your smartphone

Escanee el código QR* para ver videos útiles de instalación.

* Debe tener un lector instalado en su teléfono inteligente.

Instrucciones de seguridad

A lo largo de este manual, encontrará notas de Advertencia y Precaución. Las siguientes advertencias, precauciones e instrucciones de seguridad importantes no cubren todas las posibles condiciones y situaciones que pueden ocurrir. Es su responsabilidad actuar con sentido común, precaución y cuidado cuando instale, realice el mantenimiento y ponga en funcionamiento la lavavajillas. Samsung no se responsabiliza por los daños ocasionados por un uso inadecuado.

Instrucciones de seguridad importantes

Significado de los iconos y señales de esta guía de instalación:

 **ADVERTENCIA**

Peligros o prácticas inseguras que pueden causar lesiones físicas graves o la muerte.

 **PRECAUCIÓN**

Peligros o prácticas inseguras que pueden causar lesiones físicas o daños materiales.

 **PRECAUCIÓN**

Para reducir el riesgo de incendio, explosión, descargas eléctricas o lesiones físicas cuando usa esta lavavajillas, siga estas instrucciones de seguridad básicas:

 **NOTA**

Indica un riesgo de lesión o daño material.

Estas señales de advertencia sirven para evitar que usted y otras personas sufran daños.

Sígalas explícitamente.

Después de leer esta sección, guárdela en un lugar seguro para consultas futuras.



Estas instrucciones de instalación están dirigidas a instaladores calificados.

Si tiene problemas al instalar esta lavavajillas

ESTADOS UNIDOS

Llame al: 1-800-SAMSUNG (726-7864)

1-844-SAM-PAYS (726-7297)

para recibir asistencia: www.samsung.com/us/support

CANADÁ

Llame al: 1-800-SAMSUNG (726-7864)


para recibir asistencia: www.samsung.com/ca/support (English)

www.samsung.com/ca_fr/support (French)

CONSERVE ESTAS INSTRUCCIONES

Instrucciones de seguridad

Advertencia de la Propuesta 65 de California

 **ADVERTENCIA:** Cáncer y daño reproductivo -
www.P65Warnings.ca.gov

Lea todas las instrucciones antes de usar el electrodoméstico.

Instale y guarde la lavavajillas en un lugar interior, no expuesto a los factores climáticos.

PRECAUCIÓN

- No instale la lavavajillas cerca de componentes eléctricos. Mantenga la lavavajillas alejada de llamas abiertas.
- No instale la lavavajillas sobre una alfombra ya que existe peligro de incendio.
- No instale la lavavajillas en áreas donde el agua se congele (donde la temperatura descienda por debajo de 32 °F [0 °C]). El agua congelada en las mangueras o en las cañerías puede dañar la lavavajillas.
- Al igual que con cualquier equipo que requiere electricidad, agua y piezas móviles, existen riesgos potenciales. Para usar este electrodoméstico en forma segura, familiarícese con su funcionamiento y manéjelo con cuidado cuando lo use.

Esta lavavajillas debe conectarse a tierra correctamente. Nunca la conecte a un tomacorriente sin conexión a tierra.

Antes de quitar la lavavajillas original e instalar la nueva unidad, asegúrese de desactivar su disyuntor. No conecte la lavavajillas hasta haber completado la instalación. El último paso de la instalación de la lavavajillas es la conexión del cable de alimentación.

Todo el cableado y la conexión a tierra deben realizarse en conformidad con el código eléctrico vigente en la región.

INSTRUCCIONES DE CONEXIÓN A TIERRA

Para un electrodoméstico con conexión permanente:

Este electrodoméstico debe estar conectado a un metal con conexión a tierra, un sistema de cableado permanente o a un conductor con conexión a tierra del equipo a los conductores del circuito y a la terminal con conexión a tierra del equipo.

La lavavajillas es muy pesada. No intente mover o trasladar una lavavajillas usted solo. Se necesitan dos o más personas para mover una lavavajillas y evitar lesiones potenciales.

PRECAUCIÓN

- Si se daña el cable de alimentación, este deberá ser reemplazado por el fabricante, su agente de reparaciones o una persona igualmente calificada a fin de evitar accidentes.
- No toque el cable de alimentación con las manos mojadas.
- No conecte otro electrodoméstico en el mismo tomacorriente donde está enchufada la lavavajillas.

CONSERVE ESTAS INSTRUCCIONES

Asegúrese de utilizar un conducto nuevo. Los conductos viejos pueden romperse debido a que se endurecen y pueden ocasionar daños materiales por pérdidas de agua.

La lavavajillas debe estar conectada al suministro de agua caliente con una temperatura entre 120 °F (49 °C) y 149 °F (65 °C). Este rango de temperatura ofrece un mejor resultado en el lavado y un ciclo más corto. La temperatura no deberá exceder los 149 °F (65 °C) para no dañar la vajilla.

Asegúrese de que el agua provista a la lavavajillas no se congele. El agua congelada puede dañar las mangueras, válvulas, bombas u otros componentes.

Las lavavajillas residenciales certificadas no han sido diseñadas para los establecimientos alimentarios autorizados.

(Estándar NSF/ANSI 184 para Lavavajillas de Uso Residencial)

Para obtener una lista completa de información sobre seguridad, remítase al Manual del usuario.

Antes de usar la lavavajillas

ADVERTENCIA



Riesgo de vuelco

- No utilice la lavavajillas hasta que no esté correctamente instalada.
- No ejerza presión sobre la puerta de la lavavajillas cuando está abierta.
- No coloque excesivo peso sobre la puerta de la lavavajillas cuando está abierta.



Riesgo de descarga eléctrica

El incumplimiento de estas instrucciones puede tener como resultado la muerte, incendios o descargas eléctricas:

- Conecte a tierra la lavavajillas.
- Conecte el cable a tierra a la conexión a tierra de color verde de la caja de conexiones.
- No utilice un cable prolongador.

Para reducir el riesgo de descarga eléctrica, incendio o lesiones físicas, el instalador debe asegurarse de que la lavavajillas esté completamente ensamblada en el momento de la instalación.

CONSERVE ESTAS INSTRUCCIONES

Instalación

Asegúrese de que usted o su instalador siga estas instrucciones minuciosamente para que su nueva lavavajillas funcione adecuadamente y no existan riesgos de sufrir lesiones al lavar la vajilla.

PASO 1 Verifique las piezas y las herramientas

Antes de comenzar la instalación, prepare todas las herramientas y piezas necesarias requeridas para instalar la lavavajillas. Esto ahorrará tiempo y simplificará el proceso de instalación.

Piezas necesarias

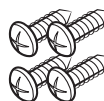
Provistas con la lavavajillas. Verifique al desempacar la lavavajillas en el PASO 5.



2 ménsulas de instalación



Placa de protección



4 tornillos
(para la instalación de la
ménsula)



Autoadhesivo protector



Conector de tuerca y sello
(para adaptador de 3/4" 90°)



4 tapas de plástico



2 tornillos negros
(para la placa de protección)



2 tornillos
(para la instalación de Bespoke)



2 tapas plásticas
(para la puerta de Bespoke)

No provisto

			
Cable de alimentación	Conector de resorte	Alivio de tensión	Cinta aislante y cinta americana estándar
			
Conducto de suministro de agua caliente	Adaptador de 90° (de 3/4")	Adaptador del tubo	Espacio de aire
			
Conector de goma	Abrazadera de la manguera		

NOTA

Para el conducto de suministro de agua caliente - Recomendamos especialmente usar un tubo de cobre de diámetro exterior de un mínimo de $\frac{3}{8}$ " con adaptador de compresión o un conector flexible de acero inoxidable para el suministro de agua caliente.

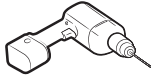
[Advertencia: No utilice tubos de plástico. Los tubos de plástico se pueden deteriorar con el tiempo y causar filtraciones en el adaptador del tubo.]

Se necesitan roscas para el tubo externo con un adaptador de 90° para tubo cónico de $\frac{3}{4}$ " en un extremo, y en el otro, roscas que se adapten al conducto de suministro de agua caliente (tubo de cobre/ adaptador de compresión, manguera trenzada).

Para el cable de alimentación, recomendamos utilizar un cable recubierto de 12-2 con conexión a tierra. Tenga en cuenta que algunos códigos locales pueden requerir que el cable tenga un recubrimiento de metal del tipo BX.

Instalación

Herramientas requeridas



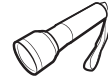
Taladro eléctrico



Lentes de seguridad



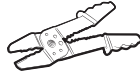
Guantes



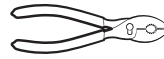
Linterna



Llave ajustable



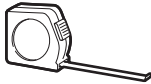
Alicate pelacable



Pinza



Alicate de corte



Cinta métrica



Lápiz



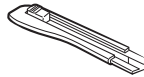
Destornillador Phillips



Destornillador plano



Cortatubos



Cúter



Fresa para escariar



Nivel



Torx t20



Llave en forma de L para cabezas hexagonales



Ventosa

NOTA

Instalación nueva

Si la instalación del lavavajillas es nueva, la mayor parte del trabajo debe realizarse antes de colocar el lavavajillas en su lugar.

Reemplazo

Si el lavavajillas reemplazara a un lavavajillas anterior, debe verificar que las conexiones existentes sean compatibles con el nuevo lavavajillas. Reemplace las conexiones existentes si fuera necesario.

PASO 2 Elección de la mejor ubicación para la lavavajillas

Los siguientes criterios son importantes para garantizar la mejor ubicación de la lavavajillas:

- La ubicación debe tener un piso macizo que pueda soportar el peso del lavavajillas.
- La ubicación deberá ser cercana al fregadero con un acceso fácil al suministro de agua, desagüe y tomacorriente.

NOTA

Para que el desagüe funcione correctamente, la lavavajillas debe estar instalada a 9.8 pies (3 m) del fregadero.

- La ubicación debe permitirle colocar la vajilla dentro del lavavajillas con facilidad.
- La ubicación debe contar con espacio suficiente para que la puerta de la lavavajillas pueda abrirse fácilmente y que quede espacio suficiente entre la lavavajillas y los laterales del gabinete (por lo menos 0.1 pulgadas [2 mm]).

NOTA

Si la lavavajillas se instalara en un rincón, asegúrese de que el lateral de la lavavajillas esté a más de 2 pulgadas (50 mm) de la pared o del gabinete hacia su derecha o izquierda.

- La pared trasera no debe presentar obstrucciones.
- Asegúrese de que el gabinete de la lavavajillas esté asegurado al piso. Si el gabinete no está asegurado, puede aumentar el ruido durante el funcionamiento de la lavavajillas.

Instalación

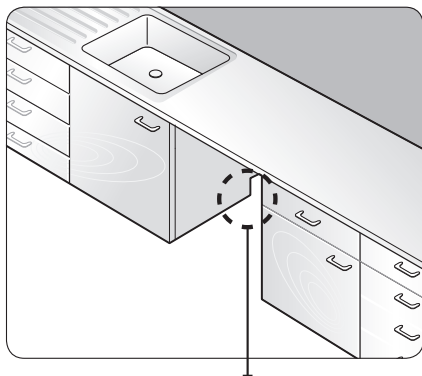
Si se trata de una instalación nueva, siga estos pasos:

1. Utilizando una fresa para escariar de 2¹/₂ pulgadas, realice una perforación en la pared del gabinete que soporta el fregadero como se detalla en la **Figura 1-1** a continuación.
2. Si la base dentro del gabinete del fregadero se eleva sobre el piso de la cocina y es más alta que las conexiones en la lavavajillas, debe hacerse un agujero en la base dentro del gabinete y en el lateral del gabinete como se detalla en la **Figura 1-2**.

NOTA

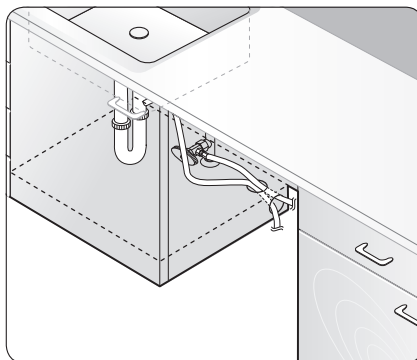
Dependiendo del lugar donde se encuentre el tomacorriente, puede ser necesario realizar un agujero en el lado opuesto al gabinete.

Figura 1-1



El agujero para el conducto, la manguera de desague y los cables de alimentación.

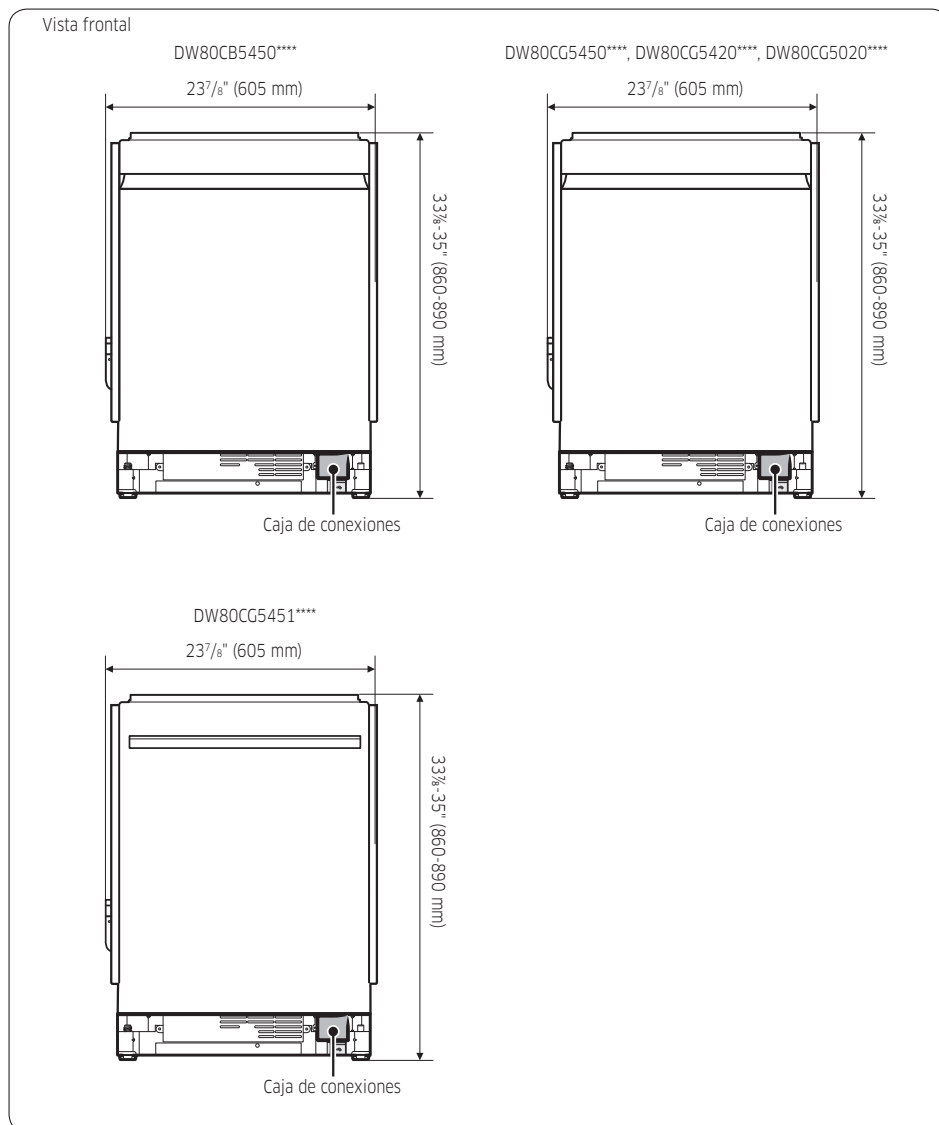
Figura 1-2



PRECAUCIÓN

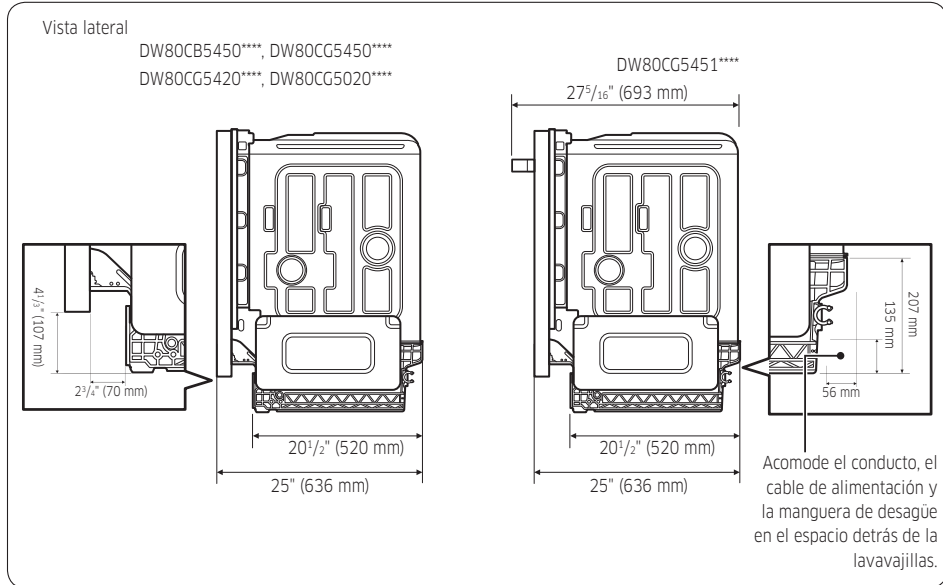
Asegúrese de que los bordes del orificio del gabinete estén lisos antes de insertar la manguera de drenaje. Un borde afilado del orificio del gabinete puede causar daños a la manguera de drenaje y provocar pérdidas.

Dimensiones del producto

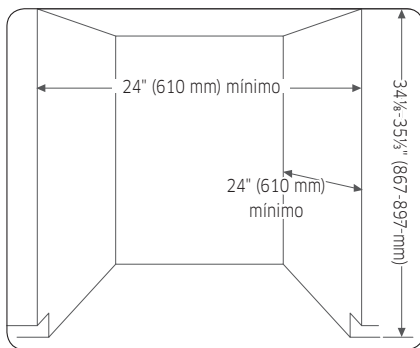


Instalación

Instalación



Dimensiones del gabinete



NOTA

Esta lavavajillas está diseñada para colocarse entre los lados y encima de un gabinete en una cocina residencial estándar.

El gabinete para la instalación debe estar limpio y libre de obstrucciones.

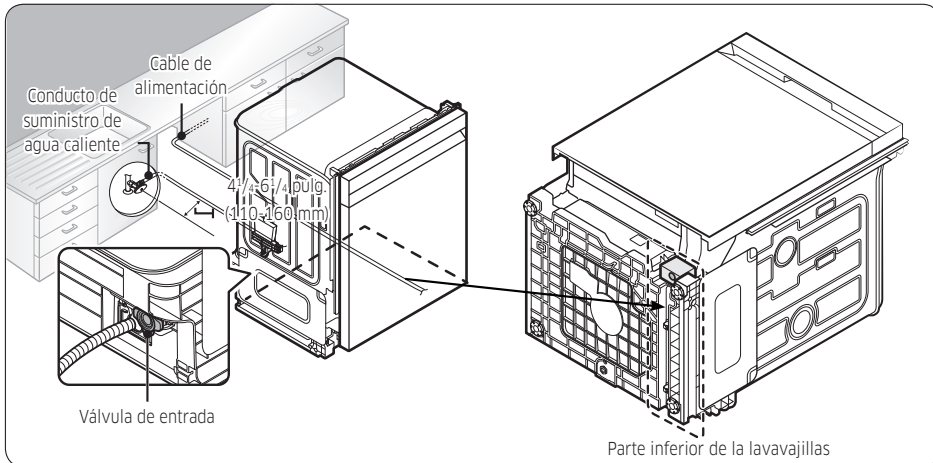
El gabinete debe tener por lo menos 24 pulgadas de ancho, 24 pulgadas de profundidad y 34¹/₈ pulgadas de altura.

Para que la puerta delantera de la lavavajillas esté nivelada con el borde delantero de la encimera, la encimera debe estar por lo menos a 25 pulgadas de profundidad.

PASO 3 Verifique los requisitos para el suministro de agua y precauciones

- La presión del conducto de agua caliente debe estar entre 20 y 120 psi (140 y 830 kPa).
- Ajuste el calentador de agua para obtener una temperatura de agua entre 120 °F (49 °C) y 149 °F (65 °C).
 - La lavavajillas debe estar conectada al suministro de agua caliente entre 120 °F (49 °C) y 149 °F (65 °C). Este rango de temperatura ofrece un mejor resultado en el lavado y un ciclo más corto. La temperatura no deberá exceder los 149 °F (65 °C) para no dañar la vajilla.
 - Asegúrese de que la válvula del suministro de agua esté cerrada antes de conectar el conducto de agua caliente al lavavajillas.
 - Selle las conexiones del conducto de agua caliente con cinta teflón o pasta de sellado para detener cualquier pérdida de agua.
 - La manguera de desagüe conectada al lavavajillas debe pasar por el orificio de la pared lateral a fin de conectarla a la salida del desagüe del fregadero. Cuando instale la lavavajillas, asegúrese de que no haya nada en la manguera de desagüe y tenga cuidado de no dañarla durante el proceso de instalación.

Figura 2



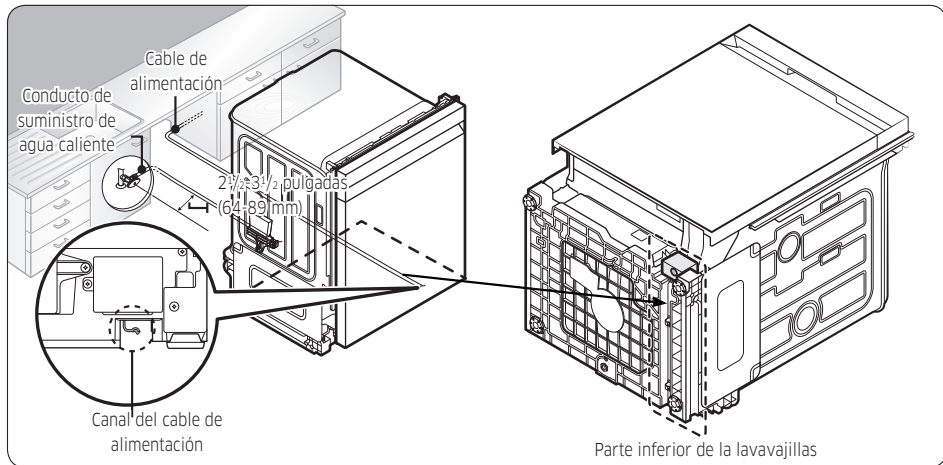
Instalación

PASO 4 Verifique los requisitos eléctricos y advertencias

Los requisitos eléctricos para la lavavajillas son los siguientes:

- En los Estados Unidos, instalar de conformidad con el Código Eléctrico Nacional/códigos estatales y municipales y/o códigos locales.
- En Canadá, instalar de conformidad con el Código Eléctrico Canadiense C22.1-última edición/códigos provinciales y municipales y/o códigos locales.
- Para conexiones directas de cable.
 - Utilice un cable de cobre recubierto enfundado no metálico con una conexión a tierra que cumpla con los requisitos de cableado de los códigos y ordenanzas locales.
 - Utilice el método del aliviador de tensión provisto con la caja de conexiones de cableado o instale una abrazadera de conector incluida en U.L./certificada por CSA- en la caja de conexión de cableado. Si utilizara un conducto, utilice un conector de conducto incluido en U.L./con certificación CSA.

Figura 3

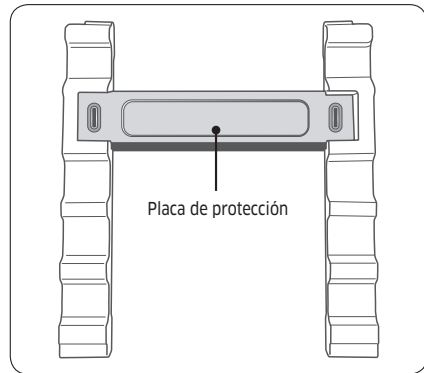


PASO 5 Desempacar e inspeccionar el lavavajillas

Desempaque la lavavajillas en una zona libre de obstrucciones ya sea alrededor de la caja como en la parte superior. Recomendamos que conserve todos los materiales del empaque hasta que la lavavajillas esté completamente instalada y en funcionamiento para asegurarse de que haya retirado todas las piezas del producto de la caja antes de desecharla.

Desempaque

1. Ubique el lado derecho de la caja con las flechas superiores señalando hacia arriba.
2. Desate o corte las correas que aseguran la caja.
3. Desempaque el producto con cuidado.
4. Coloque las correas y todos los materiales de empaque que se encuentren alrededor de la lavavajillas y verifique que no tengan daño alguno.
5. Localice y separe la placa de protección de la lavavajillas. La placa de protección está sujeta al material de empaque de la lavavajillas.



6. Levante la lavavajillas de la bandeja de la caja, y luego colóquela sobre el piso.

⚠ PRECAUCIÓN

- SIEMPRE LEVANTE LA LAVAVAJILLAS PARA MOVERLA. Arrastrar la lavavajillas sobre superficies irregulares puede dañar los soportes, y arrastrar los soportes sobre superficies lisas puede, en algunos casos, dañar la capa superior o la capa inferior de dicha superficie.
- 7. También se encuentra material de empaque dentro de la lavavajillas, que tal vez quiera conservar hasta que haya instalado la máquina.
- 8. NO retire, bajo ninguna circunstancia, el aislante de protección que rodea el exterior de la cuba de la lavavajillas.

Instalación

Inspección

Mecánica

1. Verifique el montaje de la base de plástico para asegurarse que esté intacto.
2. Verifique los soportes de la lavavajillas para asegurarse de que estén en su lugar y que puedan ajustarse con el fin de nivelar y asegurar la lavavajillas.
3. Verifique todas las piezas visibles en la parte inferior de la lavavajillas para asegurar que estén intactas y seguras.
4. Verifique la traba de la puerta, el funcionamiento de las bisagras, y confirme que la puerta esté correctamente asegurada a la lavavajillas.

Cañerías

1. Verifique la conexión de agua caliente en el lado izquierdo trasero de la base de la lavavajillas. La placa de montaje debe estar asegurada a la parte trasera de la base, las roscas de la conexión deben ser lisas y brillosas y la zona debe estar limpia y libre de fragmentos.
2. Revise que la lavavajillas y todos los accesorios estén incluidos en la caja para asegurarse de que estos montajes no estén dañados y que todas las conexiones estén aseguradas.
3. Verifique que la manguera de desagüe no tenga perforaciones o deformidades que ocasionen la filtración de agua durante el desagüe.

Eléctrica

1. Confirme que la tapa de la caja de conexiones esté asegurada a la caja de conexiones en el lado derecho delantero de la base de la lavavajillas.
2. Confirme que la caja eléctrica no se haya dañado durante el transporte y que esté asegurada a la base de la lavavajillas.

Apariencia

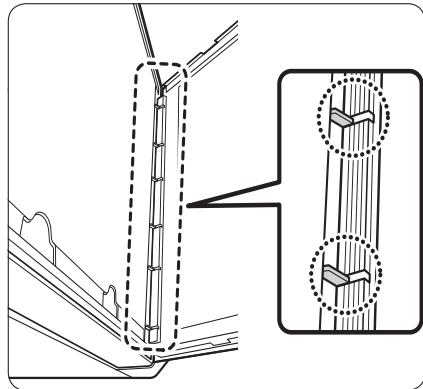
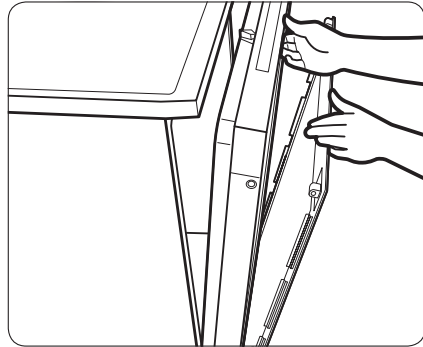
1. Confirme que no haya abolladuras o raspones en la parte del frente de la lavavajillas.
2. Verifique que los bordes de la puerta no tengan ninguna imperfección o daño.
3. Verifique el panel de control para asegurarse de que esté limpio y sin daño, y que todos los verificadores de control estén en su lugar.

Piezas

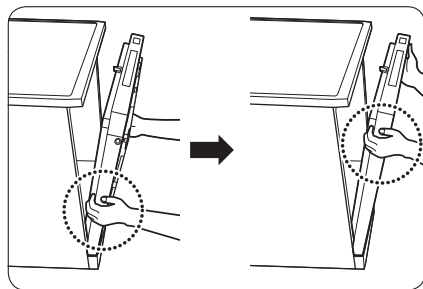
Verifique que tenga todas las piezas enumeradas en el **PASO 1** en la **página 6**.

PASO 6 Montaje del panel Bespoke (solo modelos aplicables)

1. Abra la puerta y coloque el panel Bespoke en la parte inferior frontal de la puerta. Asegúrese de que las nervaduras del panel encajen en los orificios correspondientes (en total 6) de la puerta.



2. Mientras sujeta la puerta y el panel Bespoke con ambas manos, presione el panel de manera uniforme de abajo hacia arriba para que calce en la lavavajillas.

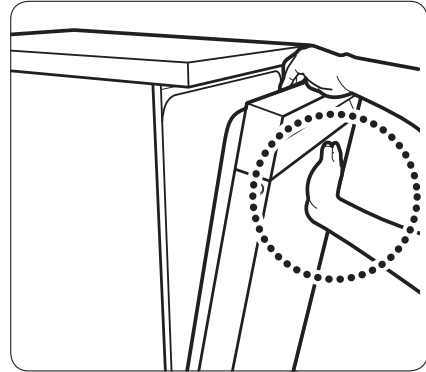


Instalación

3. Cuando ambos lados del panel encajen en su lugar, presione el centro superior del panel Bespoke para asegurarlo a la parte superior de la puerta.

NOTA

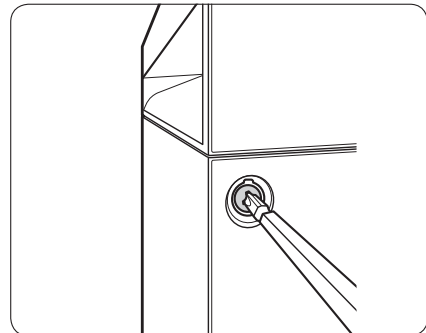
- Asegúrese de que el panel Bespoke encaje bien en la lavavajillas.
- Si el espacio entre la lavavajillas y el panel Bespoke es inferior a 2 mm, la instalación es correcta. Para 2 mm o más, quite el panel Bespoke y vuelva a intentarlo.



4. Desembale las tapas y los tornillos (dos para cada uno) incluidos en el paquete del producto.
5. Apriete los tornillos a cada lado de la lavavajillas.

NOTA

Cuando ajuste el tornillo en cualquiera de los lados, asegúrese de verificar el espacio entre los lados, ya que la puerta de Bespoke podría inclinarse en cualquier dirección.



NOTA

Después de insertar el panel, revíselo a simple vista.

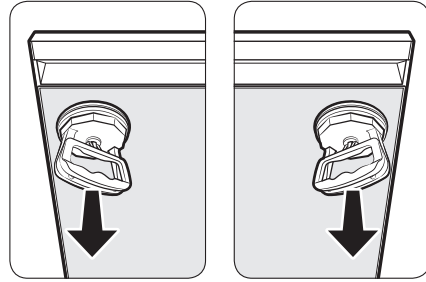
Si el panel no está bien insertado o los espacios no son uniformes en las cuatro esquinas, vuelva a instalar el panel.

Reinstalación

Retire los tornillos a ambos lados de la puerta. Luego, coloque las ventosas en el panel, una en la parte superior izquierda y la otra en la parte superior derecha. Jale hacia arriba las manijas de las ventosas para quitar el panel, luego vuelva a instalarlo.

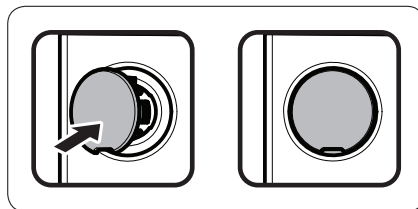
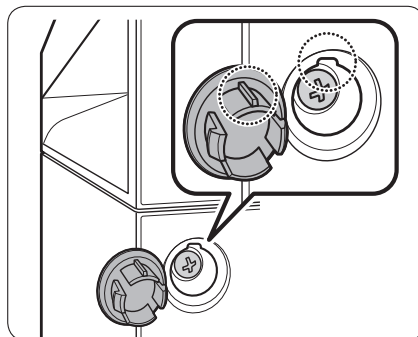
PRECAUCIÓN

- Si usa las ventosas en el área central, puede doblar el panel. Asegúrese de colocar las ventosas en las áreas superior izquierda y superior derecha del panel. Luego, jale la manija solo una vez para cada una.
- Asegúrese de que la puerta esté bien fijada y estable antes de usar las ventosas.

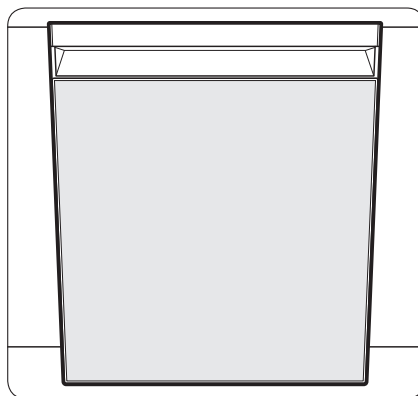


Instalación

6. Inserte las tapas a cada lado. Asegúrese de que la nervadura de la tapa encaje en el orificio de la lavavajillas en la dirección correcta.



7. Así se completa el montaje del panel Bespoke.



PRECAUCIÓN

No se permite la instalación de ningún panel de terceros que no sea el panel Bespoke de Samsung (disponible en los minoristas autorizados de Samsung). El cliente es responsable de cualquier problema que surja de dicho panel de terceros.

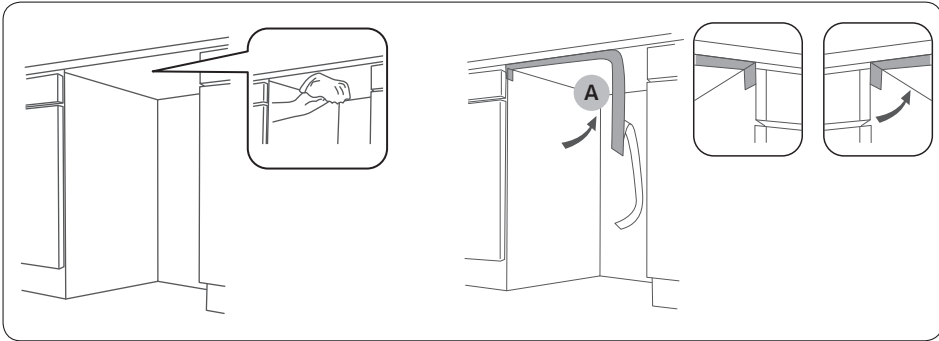
PASO 7 Preparación del lavavajillas

1. Una el autoadhesivo protector (A).

- Para evitar daños, coloque el autoadhesivo protector en la parte inferior de la encimera como se muestra en la imagen.

NOTA

- Antes de aplicar el autoadhesivo protector, limpie la encimera como se muestra en la imagen.
- Tenga en cuenta que el autoadhesivo protector mide 26 pulgadas (660 mm) de largo.



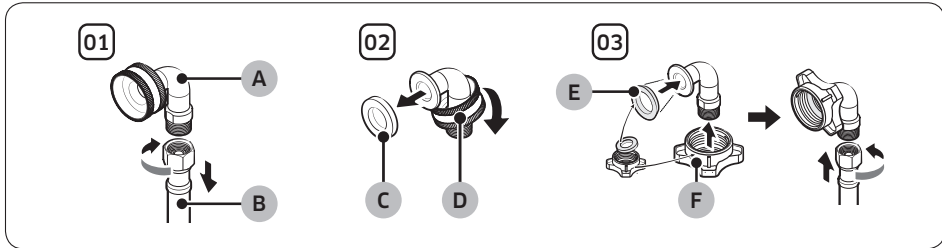
2. Asegúrese que el disyuntor y la válvula del suministro de agua estén desactivados antes de continuar con los siguientes pasos.

PRECAUCIÓN

Antes de mover o apoyar la lavavajillas para su instalación, debe asegurarse de ajustar la altura de las patas de modo que estas sean lo más cortas posible. Esto evita que las patas se rompan. Nivele la lavavajillas ajustando la altura de las patas luego de colocar la máquina en su lugar.

Instalación

- Use el conector de tuerca provisto para conectar la manguera de agua al lavavajillas.
Siga estos pasos:



- Desconecte el adaptador de 90° (A) de la manguera (B).
- Retire el sello (C) y la tuerca (D) del adaptador de 90°.
- En el conector de tuerca provisto, separe el sello (E) y la tuerca (F) y luego ensámblalos en el adaptador de 90° como se ilustra en la figura. Debe insertar el lado más pequeño del sello.
- Luego, inserte el adaptador de 3/4" 90 grados en la válvula de entrada (ver la **Figura 4-B**). Ajuste hasta que el adaptador de 3/4" quede ajustado. No lo ajuste demasiado.
- Separe las tiras que velcro que fijan la manguera de desagüe a la parte trasera de la lavavajillas. Desenrolle la manguera. Asegúrese de que no haya dobleces y que la manguera no está inclinada en ninguno de los ángulos extremos que podrían obstruir el flujo del agua.
- Con un destornillador quite la tapa de la caja de las conexiones ubicada en la parte inferior derecha del frente de la lavavajillas y luego instale el alivio de tensión (**Figura 4-C**). Asegúrese de conservar la tapa de la caja de conexiones que quitó. Se utiliza en el **PASO 12**, Conexiones del cableado.
- Si la encimera es de madera o si se trata de un material que no se daña al perforarlo, coloque las dos (2) ménsulas de instalación que fueron provistas con la lavavajillas utilizando los tornillos provistos (**Figura 4-A**). Se utilizarán en el **PASO 10**, Fijación de la lavavajillas.

Si la manguera de desagüe debe ir a la derecha de la lavavajillas, asegúrela en el soporte de la manguera de desagüe montado en la base.

El soporte de la manguera de desagüe se puede ajustar en 3 posiciones. Para ajustar la altura del soporte de la manguera de desagüe, aprete suavemente el soporte y gírelo hacia la izquierda. Inserte el soporte en la posición deseada y gírelo hacia la derecha para fijarlo en la posición.

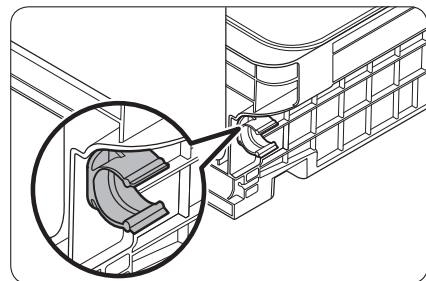
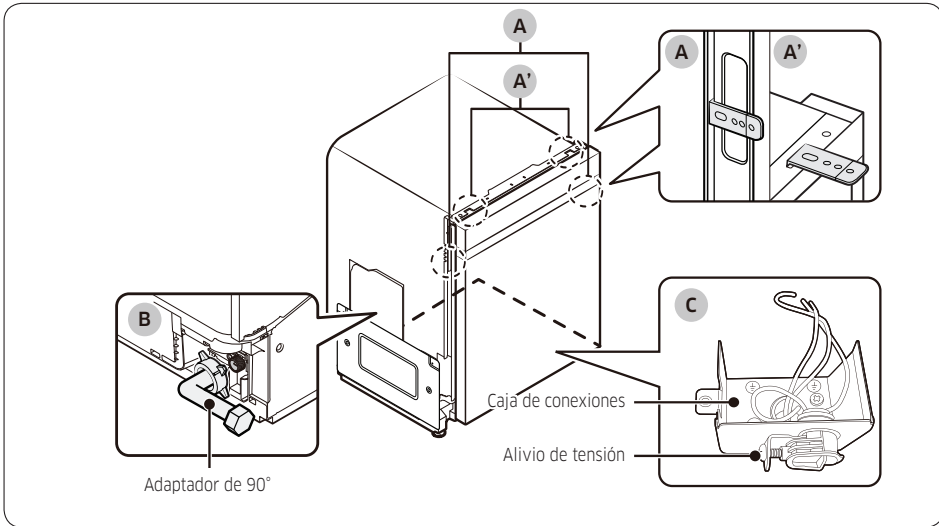


Figura 4



⚠ PRECAUCIÓN

No ajuste demasiado el adaptador de 90°. (Menos de 280 lb-en (31.6 N-m))

Si lo hiciera, podría dañar la válvula de entrada de agua y ocasionar una pérdida de agua.

Instalación

PASO 8 Colocación del lavavajillas y conexión del conducto del suministro de agua caliente

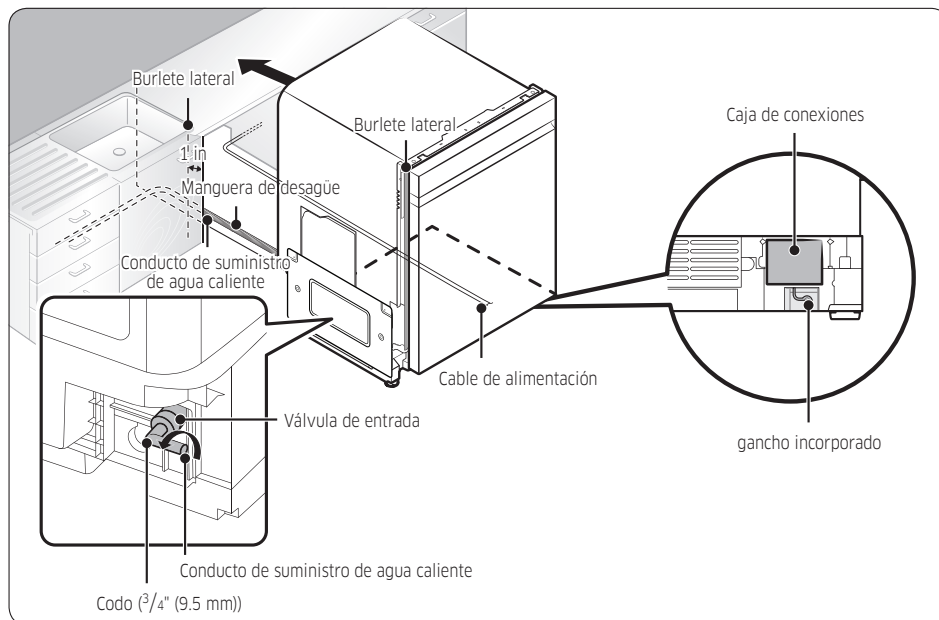
1. Regule las tres patas niveladoras en la parte inferior de la lavavajillas después de medir la altura de la abertura del gabinete desde abajo de la encimera hasta el piso. (Ver el **PASO 9**, Nivelación de la lavavajillas).
2. Ubique el conducto del agua caliente y el cable de alimentación.
3. Coloque la lavavajillas de manera tal que el conducto del agua caliente esté en el lado izquierdo y el cable de alimentación quede ubicado en el canal derecho de la base de la lavavajillas. El canal del lado derecho para el cable de alimentación cuenta con un gancho incorporado que permite asegurar el cable.
4. Saque la manguera de desagüe por el orificio en la pared lateral del gabinete del fregadero. Asegúrese de que no haya dobleces.
5. Asegúrese de que el conducto del agua caliente no esté torcido y luego conecte el conducto de agua caliente a la junta del adaptador.
6. Deslice la lavavajillas con cuidado hacia su espacio de instalación. De ser posible, retire suavemente todo tramo en exceso del conducto de agua, manguera de desagüe o cable de alimentación mientras mueve la lavavajillas. Si fuera necesario, acuda a otra persona que lo ayude a realizar esta tarea.

PRECAUCIÓN

No coloque el lavavajillas sobre el conducto, la manguera de desagüe o el cable de alimentación. También asegúrese de que no estén enroscados o doblados.

- Asegúrese de que el conducto de agua caliente esté bien conectado. Envuelva con cinta Teflón todas las conexiones para evitar pérdidas. Asegúrese de que los burletes laterales estén perfectamente insertados. De lo contrario, puede aumentar el ruido durante el funcionamiento de la lavavajillas.
- Asegúrese de que los dos burletes laterales estén entre $1\frac{3}{16}$ " y 1" (20-25 mm) del extremo frontal del gabinete de la cocina. Si la distancia es inferior puede aumentar el ruido durante el funcionamiento de la lavavajillas.

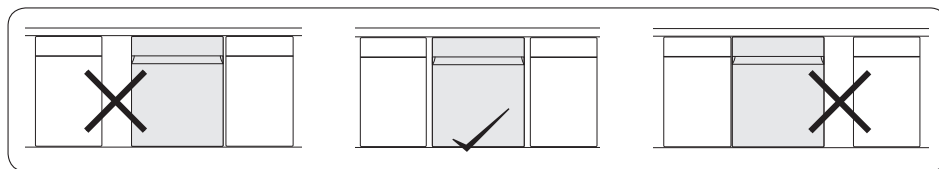
Figura 5



⚠ PRECAUCIÓN

No ajuste demasiado el adaptador de 90°.

Si lo hiciera, podría dañar la válvula de entrada de agua y ocasionar una pérdida de agua.

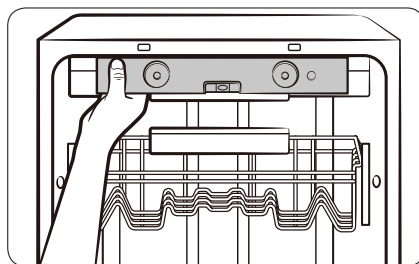


Asegúrese de que la lavavajillas esté ubicada en el centro.

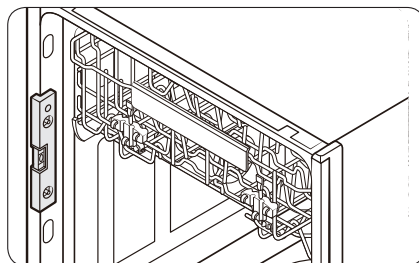
Instalación

PASO 9 Nivelación del lavavajillas

1. Abra la puerta y coloque el nivel contra la parte superior de la cuba desde adentro y verifique si la lavavajillas está nivelada. Si no lo está, gire las patas niveladoras en la parte inferior delantera de la lavavajillas hasta que quede nivelada. Vea la primera nota debajo de las instrucciones sobre el ajuste de la altura de las patas delanteras.



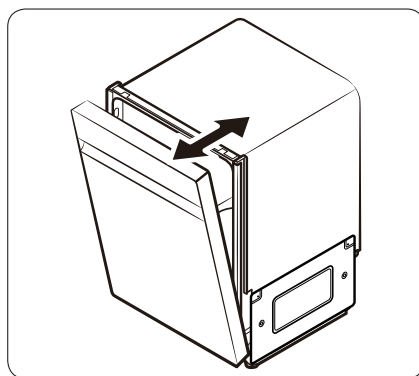
2. Utilice el nivel para verificar si la lavavajillas está nivelada de adelante hacia atrás, como se muestra en la figura de la derecha. Si la lavavajillas no está nivelada de adelante hacia atrás, ajuste la altura de la pata trasera hasta que la lavavajillas esté nivelada. Vea la segunda nota debajo de las instrucciones sobre el ajuste de la pata trasera.



NOTA

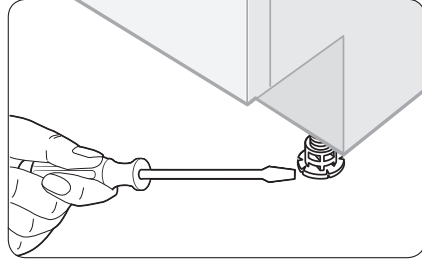
Para evitar pérdidas de la puerta, asegúrese de que la parte de enfrente de la lavavajillas no esté más baja que la parte de atrás.

3. Abra la puerta de la lavavajillas y verifique que tanto la separación de la cuba como la de la puerta sean correctas. Si no es así, gire las patas niveladoras en la parte inferior delantera de la lavavajillas. También puede verificar esto ubicando un nivel contra una superficie interior vertical delantera de la cuba.



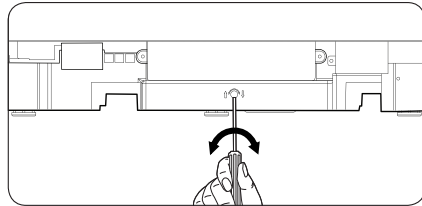
NOTA

- Si gira las patas niveladoras hacia la izquierda (en el sentido de las agujas del reloj), estas se aflojan y la parte delantera del lavavajillas se levanta. Si las gira hacia la derecha (en el sentido contrario al de las agujas del reloj), se ajustan y la parte delantera del lavavajillas baja.
- Puede regular las patas niveladoras un máximo de $16/32$ " No obstante, no es recomendable ajustarlas a esta altura máxima.



NOTA

Para ajustar la altura de una pata trasera, gire el T20 Torx (en el lado delantero de la base) hacia la izquierda para levantar la parte posterior de la lavavajillas utilizando la herramienta apropiada (Torx T20).



PRECAUCIÓN

- Antes de mover la lavavajillas para su instalación, debe asegurarse de ajustar la altura de las patas de modo que estas sean lo más cortas posible. Esto evita que las patas se rompan. Nivele la lavavajillas ajustando la altura de las patas luego de colocar la máquina en su lugar.
- Si instala el producto desnivelado o sin una pata, la puerta puede que no cierre completamente, lo que daría lugar a fugas de vapor o de agua.
- Cuando ajuste la altura de la lavavajillas, asegúrese de que el burlete superior esté perfectamente insertado debajo de la parte superior del gabinete de la cocina. De lo contrario, puede aumentar el ruido durante el funcionamiento de la lavavajillas.

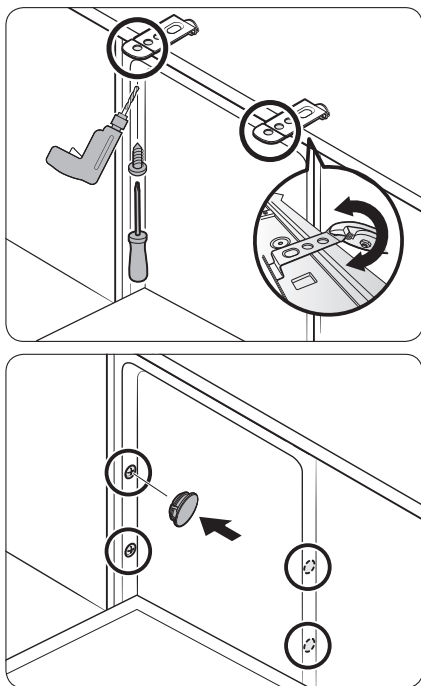
Instalación

PASO 10 Asegurar la lavavajillas

La lavavajillas debe asegurarse a la encimera o a las paredes laterales para mayor estabilidad y seguridad.

A la encimera

Si la encimera está hecha de madera de un material que no se daña por la perforación, siga las siguientes instrucciones.



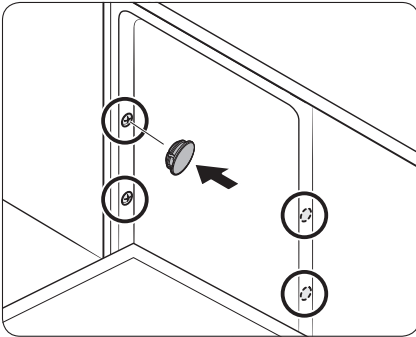
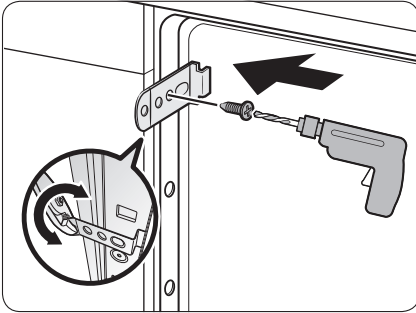
1. Coloque una toalla grande en la parte inferior de la lavavajillas (que cubra el filtro) para evitar que caigan restos de madera o un tornillo dentro del sumidero del sumidero.
2. Inserte las ménsulas que se proveen en los orificios de la parte superior delantera de la lavavajillas.
Si las ménsulas son demasiado largas, córtelas utilizando un alicate de corte.
3. Perfore los orificios superpuestos de los soportes.
Asegúrese de que el orificio sea más pequeño que el diámetro del tornillo.
4. Ajuste los tornillos provistos.
5. Ensamble las tapas plásticas provistas como se ilustra.

⚠ PRECAUCIÓN

- Luego de instalar la lavavajillas en el gabinete, asegúrese de que la puerta se abra y se cierre libremente sin que interfiera el gabinete.
- Si no se ensamblan las tapas plásticas, puede haber una pérdida de agua que cause un incendio o descarga eléctrica.

Hacia los laterales

Si la encimera está hecha de granito, mármol o cualquier otro material que no se dañe por la perforación, siga las siguientes instrucciones.



1. Coloque una toalla grande en la parte inferior de la lavavajillas (que cubra el filtro) para evitar que caigan restos de madera o un tornillo dentro del sumidero.
2. Inserte las ménsulas que se proveen en los orificios de la parte lateral delantera de la lavavajillas.
Si las ménsulas son demasiado largas, córtelas utilizando un alicate de corte.
3. Perfore un orificio en ambos lados del gabinete de la cocina.
Asegúrese de que el orificio sea más pequeño que el diámetro del tornillo.
4. Ajuste los tornillos provistos.
5. Ensamble las tapas plásticas provistas como se ilustra.

⚠ PRECAUCIÓN

- Luego de instalar la lavavajillas en el gabinete, asegúrese de que la puerta se abra y se cierre libremente sin que interfiera el gabinete.
- Si no se ensamblan las tapas plásticas, puede haber una pérdida de agua que cause un incendio o descarga eléctrica.

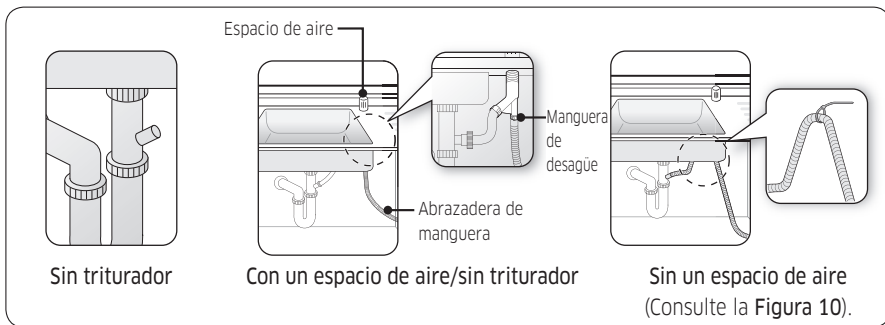
Instalación

PASO 11 Ajuste

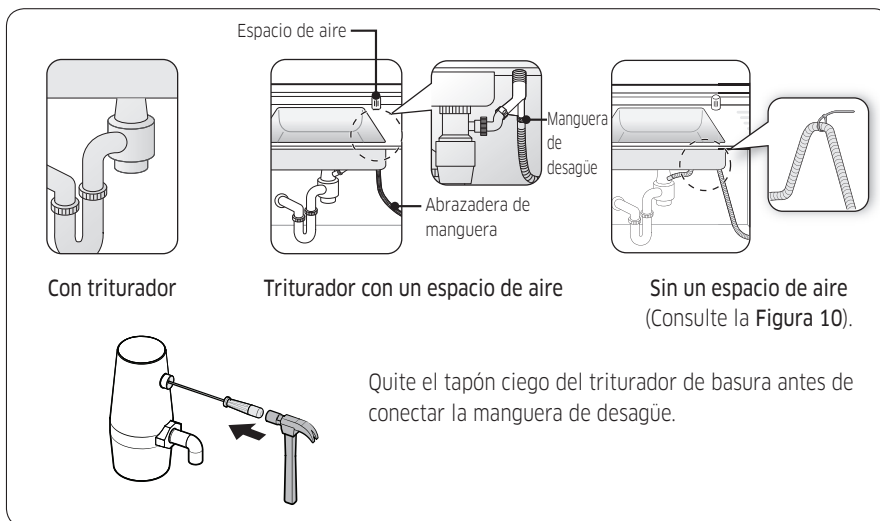
1. Verifique las piezas del fregadero a las cuales se conectará la manguera de desagüe.
2. Hay muchas maneras de insertar la manguera de desagüe en el conector de la manguera de desagüe del fregadero, como se muestra en las siguientes figuras. Debe conectar la salida del desagüe conforme a las reglamentaciones de instalación de tuberías de agua de su región.

Figura 8

Caso 1. Sin triturador



Caso 2. Con triturador



3. Verifique el tamaño del conector de la manguera de desagüe del fregadero. Si es necesario, corte la manguera de desagüe para que encaje en el conector del fregadero ($\frac{5}{8}$ pulgada o 1 pulgada, como se muestra en la **Figura 9** siguiente). Si el extremo de la manguera de desagüe no calza en el conector de la manguera de desagüe del fregadero, use un adaptador que pueda adquirir en un negocio de suministros de plomería/ ferretería.
4. Deslice una abrazadera de manguera en el extremo de la manguera de desagüe. Conecte la manguera de desagüe al conector del fregadero, deslice la abrazadera de la manguera hacia el extremo final de la manguera, y luego ajuste la abrazadera de la manguera.

NOTA

Debe utilizar una abrazadera de manguera. Si no lo hace, es posible que haya pérdidas de agua.

5. Para evitar el flujo de retorno, asegure la manguera de desagüe en la pared lateral o trasera del gabinete de la cocina mediante sujetacables o con otras monturas. Asegúrese de que la manguera de desagüe se encuentre a una altura de al menos 10 pulgadas del conector del fregadero. (Consulte la **Figura 10**.)
6. Cuando realice un agujero en la pared del gabinete para la manguera de desagüe, tenga cuidado de que los bordes filosos del orificio no dañen la manguera. Si las paredes son de madera, lije los bordes para suavizarlos.
Si las paredes son de metal, use cinta aislante o cinta americana para cubrir los bordes filosos alrededor del agujero.

Instalación

7. Tenga cuidado de no dañar la manguera de desagüe al instalar la lavavajillas en el piso, la pared o el gabinete.

NOTA

Para evitar pérdidas o problemas de drenaje, asegúrese de que la manguera de desagüe no esté dañada, retorcida o enredada.

(Al extender la manguera de desagüe, la longitud posible es de hasta 3 metros).

8. No corte la zona con ranuras de la manguera de desagüe para que se adapte al tamaño. Cuando acomode la manguera de desagüe, tenga cuidado de no tocar los bordes filosos del gabinete o bajo el fregadero.

PRECAUCIÓN

- Tenga cuidado al cortar el extremo de la manguera de desagüe ya que podría lastimarse. Limpie el área de conexión del desagüe del fregadero para evitar que la manguera se dañe. Verifique que no haya objetos extraños en la manguera de desagüe y quítelos.
- Cuando acomode la manguera de desagüe, asegúrese de que no tenga cortes causados por los bordes filosos del piso, el producto o el gabinete. Una manguera dañada causa pérdidas.
- Asegúrese de remover el tapón de la parte de eliminación de alimentos.

Figura 9

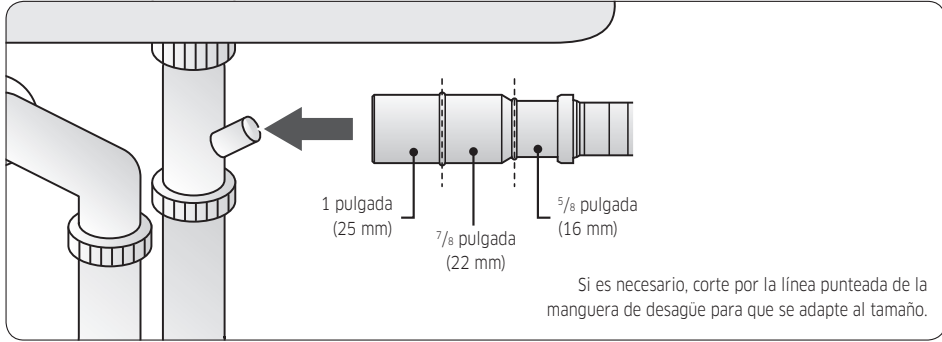
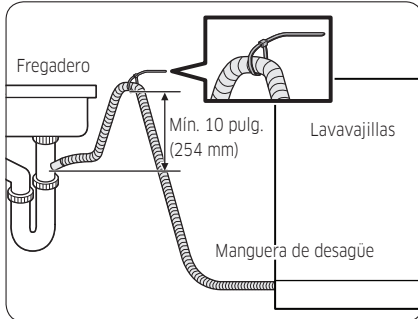


Figura 10



Para evitar el flujo de retorno en los modelos sin espacio de aire, asegure la manguera de desagüe en la pared lateral del gabinete de la cocina mediante sujetacables o con otras monturas. Asegúrese de que la manguera de desagüe se encuentre a una altura de al menos 10 pulgadas del conector del fregadero.

Instalación

PASO 12 Conexiones del cableado

1. Antes de conectar el cable de alimentación a la lavavajillas, asegúrese de desactivar el disyuntor.
2. En la caja de conexiones que se encuentra ubicada en la parte delantera derecha inferior de la lavavajillas, busque los tres cables de alimentación de la lavavajillas inclusive la conexión a tierra.
3. Pase el cable de alimentación al alivio de tensión, y luego dentro de la caja de conexiones (Figura 11).
4. Conecte el cable negro de la lavavajillas al cable negro del cable de alimentación insertando ambos en la tuerca para cable y luego rote el conector de cables, como se muestra en la Figura 12. Conecte el cable blanco al cable blanco y el verde al verde del mismo modo.
5. Revise nuevamente cada uno de los cables para asegurarse de que están conectados correctamente y en una manera segura.
Cada cable de un color debe conectarse con el cable del mismo color correspondiente.
El cable blanco debe conectarse con el blanco, el negro con el negro y el verde con el verde.
6. Vuelva a conectar la tapa de la caja de conexiones de la lavavajillas.

Figura 11

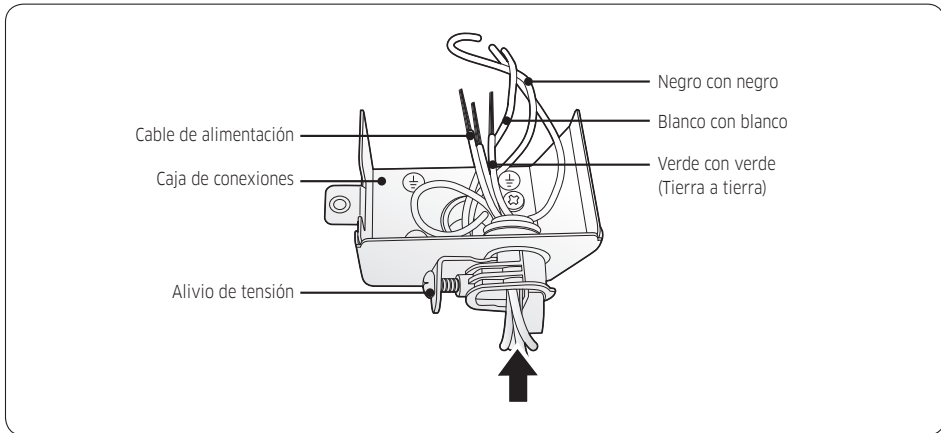
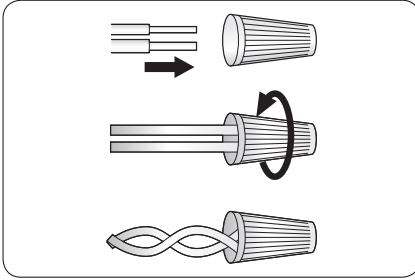


Figura 12



⚠ ADVERTENCIA

- **Riesgo de descarga eléctrica**
Para evitar descargas eléctricas, no manipule un circuito energizado. Si lo hiciera, podría causar lesiones graves o incluso la muerte. Solo los técnicos de servicio calificados pueden realizar conexiones eléctricas. No intente manipular el circuito de suministro eléctrico de la lavavajillas hasta que no esté seguro de que está desenergizado.
- **Riesgo de incendio**
Para evitar el riesgo de incendio, asegúrese de que la instalación eléctrica sea correcta. Solo los técnicos de servicio calificados pueden realizar conexiones eléctricas.

📄 NOTA

Revise nuevamente cada uno de los cables para asegurarse de que están conectados correctamente y en una manera segura.
Cada cable de un color debe conectarse con el cable del mismo color correspondiente.
El cable no debe torcerse en sentido antihorario.

Instalación

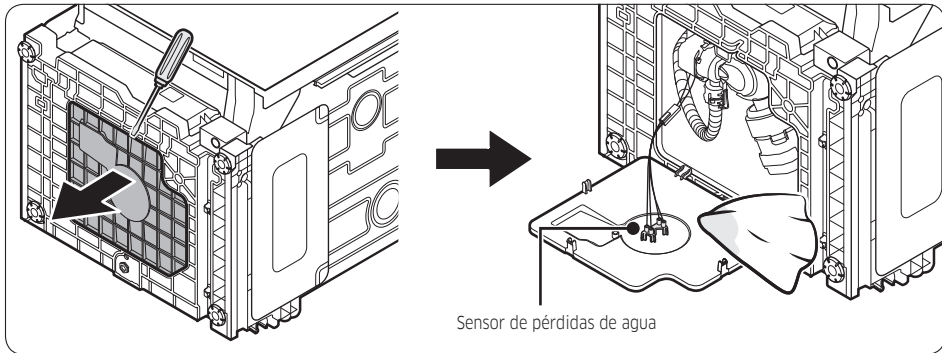
PASO 13 Finalización de la instalación

1. Abra la puerta y quite todas las piezas innecesarias, goma espuma y empaque de papel.
2. Active el disyuntor desactivado antes de comenzar la instalación.
3. Abra la válvula del suministro de agua para suministrar agua a la lavavajillas.
4. Encienda la lavavajillas y luego seleccione y ejecute un ciclo.

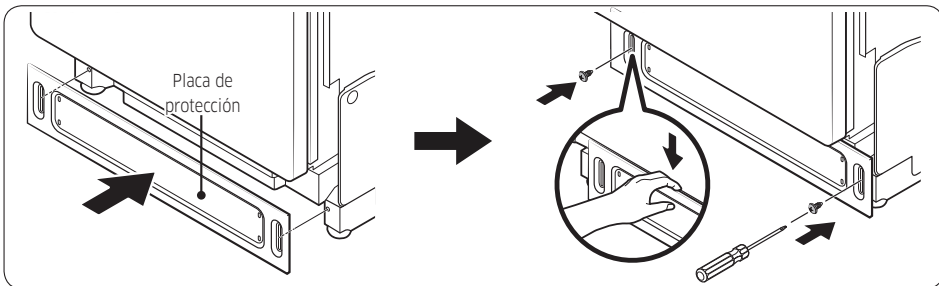
⚠ PRECAUCIÓN

Verifique las filtraciones de agua en ambos extremos del conducto de agua y en el conector de la manguera de desagüe.

5. Verifique si la lavavajillas se enciende correctamente o si hay alguna pérdida. Si no hay ningún problema, apague la lavavajillas. Omita los **Pasos 6 a 11** y vaya al **Paso 12**.
6. Si aparece el código de verificación de pérdidas "LC" en el panel, mantenga presionado el botón **Start (Inicio)** durante más de 3 segundos para comenzar el drenaje. Al finalizar el drenaje, desenchufe la lavavajillas y cierre la válvula del suministro de agua.
7. Revise si hay pérdida en la válvula de entrada. Si es así, vuelva a conectar el adaptador de 90° con el conducto de agua caliente, pues la conexión no es correcta.
8. Una vez contenida la fuga, apoye la lavavajillas como se muestra y seque la humedad del sensor de pérdidas de agua.



9. Enchufe la lavavajillas, abra el suministro de agua e inicie el ciclo de instalación inteligente.
 - a. Cuando esté encendido, presione **Delay Start (Demorar el inicio)** hasta que se muestre "17h".
 - b. Presione **Hi-Temp Wash (Lavado de alta temperatura)** durante 7 segundos hasta que se muestre "AS".
 - c. Presione **START (INICIO)** y cierre la puerta. Comenzará el ciclo de Instalación inteligente.
 - d. El ciclo de Instalación inteligente se ejecutará durante 7 minutos aproximadamente.
 - e. Luego, la puerta de la lavavajillas se abrirá y se mostrará el número "5" durante 1 minuto aproximadamente.
 - f. Se mostrará "Ot" luego de que se ejecute exitosamente el ciclo de Instalación inteligente.
10. Si el código de información "LC" continúa apareciendo en el panel, comuníquese con un centro de servicio técnico local.
11. Finalmente, coloque la placa de protección en la parte inferior de la lavavajillas. Mientras mantiene tenso el faldón de caucho de la puerta, empuje la placa de protección desde la parte delantera del faldón hacia adentro por debajo de la puerta de la lavavajillas. Asegúrese de que los burletes de la placa de protección estén nivelados a la perfección con el piso y las paredes laterales. Luego ajuste los tornillos para fijar la placa.



⚠ PRECAUCIÓN

Asegúrese de que la placa de protección no interfiera con la apertura y cierre de la puerta de la lavavajillas. Intente abrir la puerta 90 grados y asegúrese de que se pueda abrir completamente sin hacer ruido.

Especificaciones

Suministro eléctrico	120 V, 15 A, 60 Hz CA
Presión de agua	20~120 psi (140~830 kPa)
Dimensiones (Ancho x Profundidad x Altura)	23 ⁷ / ₈ x 25 x 33 ⁷ / ₈ pulg. (605 x 636 x 860 mm) (DW80CB5450**** / DW80CG5450**** / DW80CG5420**** / DW80CG5020****)
	23 ⁷ / ₈ x 27 ⁵ / ₁₆ x 33 ⁷ / ₈ pulg. (605 x 693 x 860 mm) (DW80CG5451****)
Temperatura mínima del agua en la entrada	120 °F (49 °C)

 **NOTA**

Las especificaciones están sujetas a cambios sin previo aviso a los efectos de las mejoras de calidad. La apariencia real de la lavavajillas puede diferir de las ilustraciones de este manual.

Notas

¿TIENE ALGUNA PREGUNTA O ALGÚN COMENTARIO?

PAÍS	LLAME AL	O VISÍTENOS EN LÍNEA EN
U.S.A - Consumer Electronics - Mobile Phones	1-800-SAMSUNG (726-7864) 1-844-SAM-PAYS (726-7297)	www.samsung.com/us/support
MEXICO	800-SAMSUNG	www.samsung.com/mx/support



DD68-00260A-00

Lave-vaisselle

Manuel d'installation

DW80CB5450****, DW80CG5450****, DW80CG5420****,
DW80CG5020****, DW80CG5451****



SAMSUNG

Table des matières

Consignes de sécurité	3
Consignes de sécurité importantes	3
Avant d'utiliser votre lave-vaisselle	5
Installation	6
Dimensions de l'appareil	11
Dimensions du meuble	12
Caractéristiques techniques	38



Scan this with your smartphone

Scannez le code QR* pour consulter nos vidéos d'installation utiles.

* Nécessite l'installation d'un lecteur sur votre smartphone.

Consignes de sécurité

Tout au long du présent manuel, vous rencontrerez des remarques intitulées Avertissement et Attention. Les remarques, ainsi que les consignes de sécurité décrites dans cette section, ne sont pas exhaustives. Il est de votre responsabilité de faire appel à votre bon sens et de faire preuve de prudence et de minutie lors de l'installation, de l'entretien et de l'utilisation du lave-vaisselle. Samsung ne saurait être tenue pour responsable en cas de dommage résultant d'une utilisation non conforme.

Consignes de sécurité importantes

Que signifient les icônes et symboles utilisés dans ce manuel d'installation ?

AVERTISSEMENT

Risques ou manipulations dangereuses susceptibles d'entraîner des blessures graves, voire mortelles.

ATTENTION

Risques ou manipulations dangereuses pouvant entraîner des blessures ou des dommages matériels.

ATTENTION

Pour réduire le risque d'incendie, d'explosion, d'électrocution ou de blessures lors de l'utilisation du lave-vaisselle, veuillez vous conformer aux précautions de sécurité de base suivantes :

REMARQUE

Indique un risque de blessures ou de dommages matériels.

Ces symboles d'avertissement visent à éviter que vous ou quelqu'un d'autre ne se blesse.

Veuillez vous y conformer scrupuleusement.

Lorsque vous aurez terminé de lire ce manuel, conservez-le dans un endroit sûr afin de pouvoir le consulter ultérieurement.



Ces instructions d'installation ont été rédigées pour être utilisées par des installateurs qualifiés.

Si vous rencontrez des problèmes lors de l'installation du lave-vaisselle,

ÉTATS-UNIS

Veuillez appeler au : 1-800-SAMSUNG (726-7864)

1-844-SAM-PAYS (726-7297)

consulter le site suivant, pour obtenir de l'aide : www.samsung.com/us/support

CANADA

Veuillez appeler au : 1-800-SAMSUNG (726-7864)

ou consulter le site suivant pour obtenir de l'aide : www.samsung.com/ca/support

(English)

www.samsung.com/ca_fr/support

(French)

CONSERVEZ CES INSTRUCTIONS

Consignes de sécurité

Avertissement de la Proposition 65 de la Californie

 **AVERTISSEMENT** : Cancer et effets nocifs sur la reproduction -
www.P65Warnings.ca.gov

Lisez attentivement toutes les instructions avant d'utiliser l'appareil.

Installez et entreposez le lave-vaisselle à l'intérieur, dans un endroit où il ne pourra être exposé aux intempéries.

ATTENTION

- N'installez pas le lave-vaisselle près de composants électriques. Éloignez-le des flammes nues.
- N'installez pas le lave-vaisselle sur un tapis en raison des risques d'incendie.
- N'installez pas le lave-vaisselle dans un endroit où l'eau pourrait geler (lorsque la température descend en dessous de 32 °F (0 °C)). Le lave-vaisselle pourrait être endommagé par la glace se trouvant dans les tuyaux et conduits.
- À l'instar de tous les équipements électriques, utilisant l'eau et comportant des parties mobiles, des risques potentiels existent. Pour utiliser cet appareil en toute sécurité, veuillez vous familiariser avec son fonctionnement et faire toujours preuve de prudence.

Le lave-vaisselle doit être mis à la terre de façon appropriée. Ne le branchez jamais à une prise non reliée à la terre.

Avant d'enlever le lave-vaisselle d'origine et de le remplacer par le nouvel appareil, assurez-vous d'avoir coupé votre disjoncteur. Ne branchez pas le câble d'alimentation du lave-vaisselle avant d'avoir terminé l'installation ; ce branchement est la dernière étape à effectuer.

Toutes les opérations de câblage et de mise à la terre doivent être effectuées conformément au code d'électricité en vigueur dans votre pays.

INSTRUCTIONS DE MISE À LA TERRE

Branchement permanent de l'appareil :

Cet appareil doit être connecté à un système de câblage permanent métallique avec mise à la terre ; si ce n'est pas le cas, un conducteur de mise à la terre de l'équipement doit être installé avec les conducteurs du circuit puis connecté à la borne ou au fil de mise à la terre de l'équipement située sur l'appareil.

Le lave-vaisselle est très lourd. Ne tentez pas de le déplacer ou de le transporter seul. Au minimum deux personnes sont nécessaires pour déplacer le lave-vaisselle et ainsi éviter tout risque de blessures.

ATTENTION

- Si le câble d'alimentation est endommagé, faites-le remplacer par le fabricant, un réparateur agréé ou une personne disposant de qualifications similaires afin d'éviter tout risque.
- Ne touchez jamais le câble d'alimentation si vos mains sont mouillées.
- Ne branchez aucun autre appareil sur la même prise électrique que le lave-vaisselle.

CONSERVEZ CES INSTRUCTIONS

Assurez-vous d'utiliser un tuyau d'arrivée d'eau neuf. Un tuyau ancien pourrait se briser à la suite d'un durcissement, ce qui pourrait causer une fuite d'eau et endommager vos biens.

Le lave-vaisselle doit être raccordé à une source d'eau chaude avec une température comprise entre 120 °F (49 °C) et 149 °F (65 °C). Plage de température conseillée pour un résultat de lavage optimal et pour un temps de cycle plus court. Une température supérieure à 149 °F (65 °C) risque d'endommager la vaisselle.

Assurez-vous que l'eau alimentée dans le lave-vaisselle ne peut pas geler, car la glace pourrait endommager les tuyaux, les valves, la pompe ou d'autres composants.

Les lave-vaisselle domestiques certifiés ne sont pas conçus pour une utilisation dans des établissements de restauration sous licence.

(Norme NSF/ANSI 184 pour les lave-vaisselle domestiques)

Pour obtenir une liste complète des consignes de sécurité, veuillez vous reporter au Manuel d'utilisation.

Avant d'utiliser votre lave-vaisselle

AVERTISSEMENT



Risque de basculement

- N'utilisez pas le lave-vaisselle avant qu'il ne soit correctement installé.
- N'appuyez pas sur la porte du lave-vaisselle lorsque celle-ci est ouverte.
- Ne placez rien de trop lourd sur la porte du lave-vaisselle lorsque celle-ci est ouverte.



Risque d'électrocution

Le non-respect de ces consignes peut entraîner un incendie ou une électrocution et avoir des conséquences mortelles.

- Reliez le lave-vaisselle à la terre.
- Connectez le fil de terre au connecteur de terre vert de la boîte de jonction.
- N'utilisez pas de rallonge.

Afin de réduire les risques d'incendie, d'électrocution ou de blessures, l'installateur doit veiller à ce que le lave-vaisselle soit entièrement encastré au moment de l'installation.

CONSERVEZ CES INSTRUCTIONS

Installation

Veillez à ce que vous ou votre installateur respectiez soigneusement ces instructions afin de garantir le bon fonctionnement de votre nouveau lave-vaisselle et d'éviter tout risque de blessures lors de son utilisation.

ÉTAPE 1 Vérification des pièces et des outils

Avant de commencer l'installation, préparez tous les outils et pièces dont vous aurez besoin ; ceci permettra de gagner du temps lors de l'installation et de simplifier le processus d'installation.

Pièces nécessaires

Fournies avec le lave-vaisselle. Vérifiez que toutes les pièces sont présentes au moment du déballage du lave-vaisselle (ÉTAPE 5).



2 supports d'installation



Plaque de protection



4 vis
(pour l'installation du support)



Autocollant de protection



Raccord à écrou et joint (pour le
raccord $\frac{3}{4}$ " à 90°)



4 bouchons en plastique



2 vis noires
(pour la plaque de protection)



2 vis
(pour la porte sur mesure)



2 bouchons en plastique
(pour la porte sur mesure)

Non fournies



Câble d'alimentation



Capuchons de connexion pour fils



Réducteur de tension



Ruban isolant et ruban pour conduits standard



Tuyau d'arrivée d'eau chaude



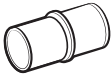
Raccord à 90° (3/4")



Raccords pour tuyaux



Coupure antirefoulement



Raccord en caoutchouc



Collier de serrage

 **REMARQUE**

Tuyau d'arrivée d'eau chaude : nous vous recommandons vivement d'utiliser un tuyau en cuivre d'au moins $\frac{3}{8}$ " de diamètre extérieur avec raccord à compression ou un tuyau flexible d'arrivée d'eau chaude tressé en acier inoxydable.

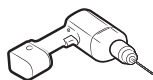
[Avertissement : n'utilisez pas de tube plastique ; il risque de se détériorer avec le temps et de provoquer des fuites dans le raccord.]

Vous aurez également besoin d'un raccord à 90° avec filetage NPT externe de $\frac{3}{4}$ " sur une extrémité et d'un raccord adapté au tuyau d'arrivée d'eau chaude (tuyau en cuivre/raccord de compression ou tuyau tressé) sur l'autre extrémité.

Pour le câble d'alimentation, nous vous recommandons d'utiliser un câble 12-2 gainé avec mise à la terre. Remarque : certains codes locaux peuvent exiger un câble avec gaine métallique de style BX.

Installation

Outils nécessaires



Perceuse électrique



Lunettes de sécurité



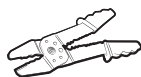
Gants



Lampe de poche



Clé à molette



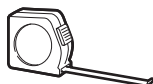
Outil à dénuder



Pinces



Pince coupante



Mètre à ruban



Crayon



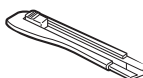
Tournevis cruciforme



Tournevis plat



Coupe-tube



Couteau



Scie-cloche



Niveau



Torx t20



Clé hexagonale



Ventouse

REMARQUE**Nouvelle installation**

Si aucun lave-vaisselle n'a encore été installé, la majorité du travail devra être effectuée avant que le lave-vaisselle ne soit mis en place.

Remplacement

Si ce lave-vaisselle est installé en remplacement d'un ancien modèle, assurez-vous de vérifier la compatibilité des tuyaux existants. Remplacez les connexions existantes, le cas échéant.

ÉTAPE 2 Choisir le bon emplacement

Prenez en compte les critères suivants pour déterminer le meilleur emplacement pour votre lave-vaisselle :

- Le sol de la pièce choisie doit pouvoir supporter le poids du lave-vaisselle.
- Choisissez un endroit situé près d'un évier, à proximité d'une arrivée d'eau, d'une vidange et d'une prise électrique.

REMARQUE

Pour que la vidange puisse se faire correctement, installez le lave-vaisselle à moins de 9,8 pi (3 m) de l'évier.

- Vous devez pouvoir charger la vaisselle facilement dans le lave-vaisselle.
- Choisissez un emplacement qui vous permette d'ouvrir facilement la porte du lave-vaisselle et assurez-vous qu'il y ait un espace suffisant entre l'appareil et les parois l'entourant (au moins 0,1 po (2 mm)).

REMARQUE

Si le lave-vaisselle est installé dans un angle, assurez-vous que le côté du lave-vaisselle se trouve à plus de 2 po (50 mm) du mur ou du meuble situé à sa gauche ou à sa droite.

- Le mur à l'arrière doit être libre de toute obstruction.
- Assurez-vous que le meuble du lave-vaisselle est bien fixé au sol. Si le meuble n'est pas fixé, il peut découpler le bruit généré par le lave-vaisselle pendant son utilisation.

Installation

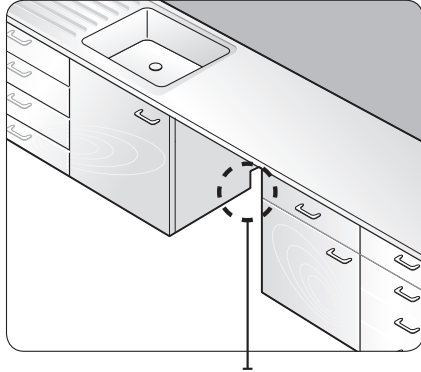
S'il s'agit d'une première installation, procédez comme suit :

1. À l'aide d'une scie-cloche de 2 1/2 pouces, découpez un trou sur le côté du meuble supportant l'évier, comme indiqué dans la **Figure 1-1** ci-dessous.
2. Si la base à l'intérieur du meuble de l'évier est surélevée par rapport au sol de la cuisine et se trouve au-dessus des raccordements du lave-vaisselle, percez un trou dans la base et sur le côté du meuble, comme indiqué sur la **Figure 1-2**.

REMARQUE

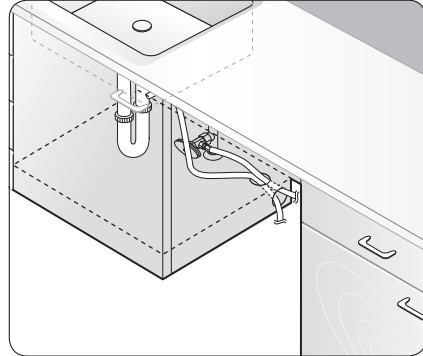
En fonction de l'emplacement de votre prise électrique, vous aurez peut-être besoin de percer un trou sur le côté opposé du meuble.

Figure 1-1



Trou pour le tuyau d'arrivée d'eau, le tuyau d'évacuation et les câbles d'alimentation.

Figure 1-2



ATTENTION

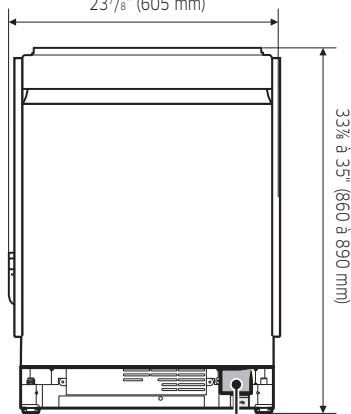
Vérifiez que les bords de l'orifice du meuble sont lisses avant d'insérer le tuyau d'évacuation dans le trou. Des arêtes acérées pourraient endommager le tuyau d'évacuation et provoquer une fuite du tuyau.

Dimensions de l'appareil

Vue de devant

DW80CB5450****

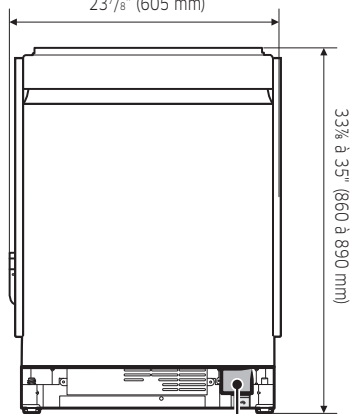
23⁷/₈" (605 mm)



Boîte de jonction

DW80CG5450****, DW80CG5420****, DW80CG5020****

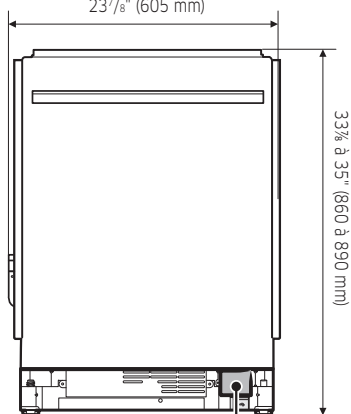
23⁷/₈" (605 mm)



Boîte de jonction

DW80CG5451****

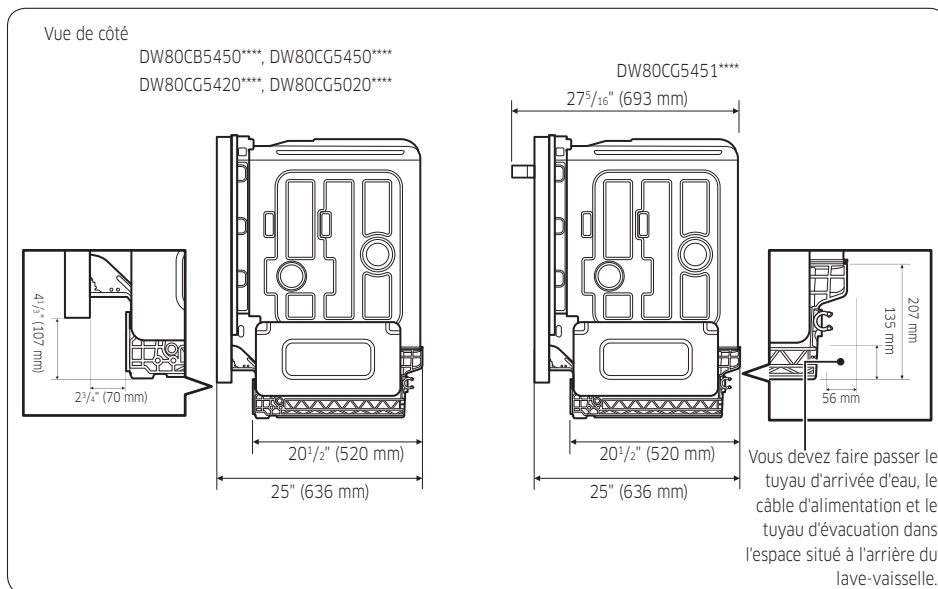
23⁷/₈" (605 mm)



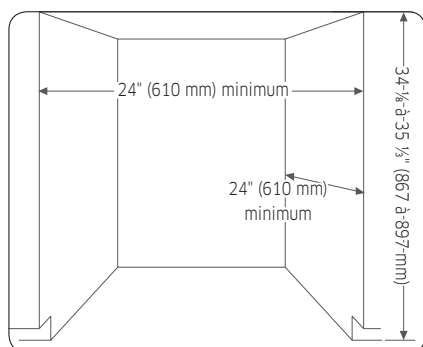
Boîte de jonction

Installation

Installation



Dimensions du meuble



REMARQUE

Ce lave-vaisselle est conçu pour être encastré dans un meuble standard de cuisine domestique, aussi bien sur le dessus que les deux côtés.

Le meuble d'installation doit être propre et dégagé.

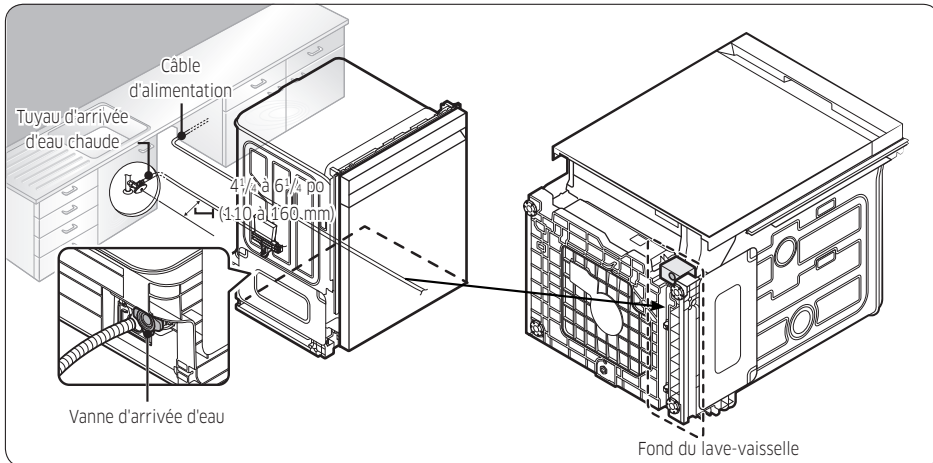
Le meuble doit avoir une largeur minimale de 24 pouces, une profondeur de 24 pouces et une hauteur de 34¹/₈ pouces.

Afin que la porte avant du lave-vaisselle soit parfaitement alignée avec le bord du plan de travail, ce dernier doit avoir une profondeur minimale de 25 pouces.

ÉTAPE 3 Vérifiez les normes et les conditions à respecter en matière d'alimentation en eau.

- La pression d'alimentation en eau chaude doit se situer entre 20 et 120 psi (140 et 830 kPa).
- Réglez le chauffe-eau de façon à ce que l'eau chaude se situe entre 120 °F (49 °C) et 149 °F (65 °C).
 - Le lave-vaisselle doit être raccordé à une source d'eau chaude avec une température comprise entre 120 °F (49 °C) et 149 °F (65 °C). Plage de température conseillée pour un résultat de lavage optimal et pour un temps de cycle plus court. Une température supérieure à 149 °F (65 °C) risque d'endommager la vaisselle.
 - Assurez-vous d'avoir fermé la vanne d'arrivée d'eau avant de raccorder le tuyau d'arrivée d'eau chaude au lave-vaisselle.
 - Réalisez l'étanchéité des raccords du tuyau d'eau chaude avec du ruban Téflon ou un produit d'étanchéité pour empêcher toute fuite.
 - Le tuyau d'évacuation raccordé au lave-vaisselle doit passer par le trou que vous avez percé dans la paroi latérale avant de pouvoir le raccorder à la sortie d'évacuation de l'évier. Lors de l'installation du lave-vaisselle, vérifiez que rien n'appuie sur le tuyau d'évacuation et veillez à ne pas l'endommager durant le processus d'installation.

Figure 2



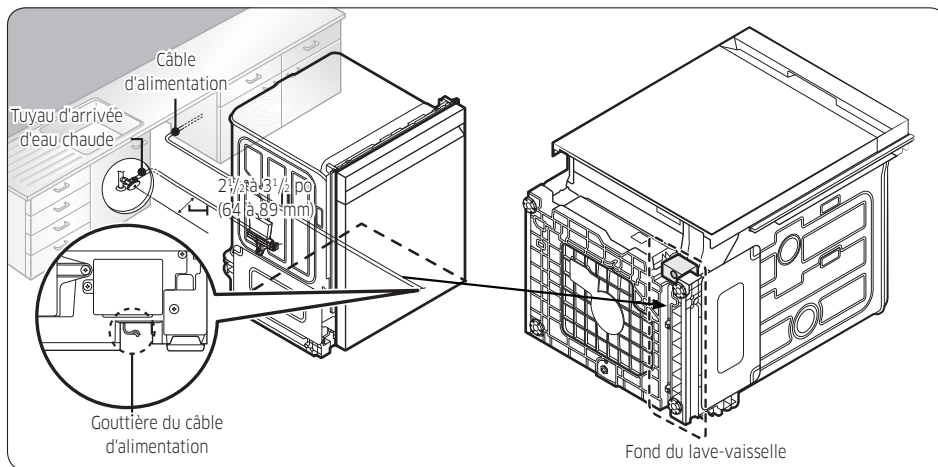
Installation

ÉTAPE 4 Vérifiez les normes et les conditions à respecter en matière d'électricité

Exigences électriques à respecter pour le lave-vaisselle :

- Aux États-Unis, l'installation doit être conforme au Code américain sur les installations électriques et aux normes municipales, locales et/ou des différents États.
- Au Canada, l'installation doit être conforme au Code canadien de l'électricité C22.1 (dernière version) et aux normes municipales, provinciales et/ou locales.
- Pour le branchement direct des câbles.
 - Utilisez un câble en cuivre flexible avec armature ou gaine non métallique, doté d'un fil de mise à la terre et conforme à la législation en vigueur en matière de câblage.
 - Utilisez le réducteur de tension fourni avec la boîte de jonction de câblage ou installez un connecteur à collier répertorié UL/certifié CSA sur la boîte de jonction de câblage. Si vous utilisez une gaine, choisissez un connecteur à gaine répertorié UL/certifié CSA.

Figure 3

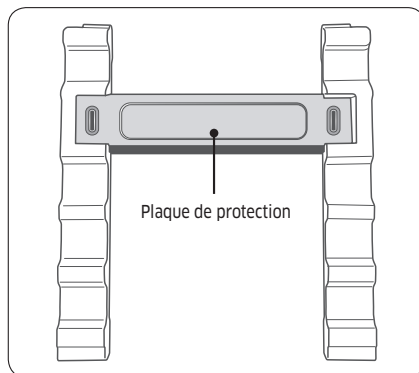


ÉTAPE 5 Déballage et vérification du lave-vaisselle

Déballer le lave-vaisselle dans une pièce dégagée autour de l'emballage et au-dessus. Nous vous conseillons de conserver tous les matériaux d'emballage jusqu'à ce que le lave-vaisselle soit installé et opérationnel afin de vous assurer que vous avez bien retiré tous les composants de l'appareil des matériaux d'emballage avant de les jeter.

Déballage

1. Placez le carton à l'endroit, de telle sorte que les flèches pointent vers le haut.
2. Détachez ou coupez les sangles maintenant l'emballage.
3. Déballer le produit de son emballage avec précaution.
4. Retirez les sangles et tous les matériaux d'emballage entourant le lave-vaisselle en vérifiant qu'ils ne présentent aucun signe de dommage.
5. Localisez la plaque de protection et mettez-la de côté. Elle est fixée au matériau d'emballage du lave-vaisselle.



6. Sortez le lave-vaisselle de son emballage en le soulevant, puis posez-le doucement sur le sol.

⚠ ATTENTION

- SOULEVEZ TOUJOURS LE LAVE-VAISSELLE POUR LE DÉPLACER. Si vous le faites glisser sur des surfaces inégales, vous risquez d'endommager les pieds du lave-vaisselle et faire glisser les pieds sur une surface finie peut, dans certains cas, endommager le revêtement du sol ou la surface sous-jacente.
7. Nous vous conseillons de laisser en place les matériaux d'emballage se trouvant à l'intérieur du lave-vaisselle jusqu'à ce que celui-ci soit installé.
 8. NE RETIREZ en aucun cas le revêtement d'absorption acoustique entourant l'extérieur de la cuve du lave-vaisselle.

Installation

Inspection

Éléments mécaniques

1. Vérifiez que l'ensemble de la base en plastique est intacte.
2. Vérifiez que les pieds du lave-vaisselle sont en place et opérationnels afin que vous puissiez mettre l'appareil de niveau et le fixer.
3. Vérifiez que tous les composants visibles à la base du lave-vaisselle sont intacts et correctement fixés.
4. Vérifiez que le loquet de la porte et les charnières fonctionnent et que la porte est correctement fixée au lave-vaisselle.

Éléments de plomberie

1. Vérifiez le raccord d'eau chaude à l'arrière gauche de la base du lave-vaisselle. La plaque de montage doit être fixée à l'arrière de la base, les filetages à l'intérieur du raccord doivent être réguliers et brillants et la zone doit être propre et exempte de tout débris.
2. Assurez-vous que le lave-vaisselle et les accessoires sont tous inclus dans l'emballage et vérifiez que les composants sont intacts et que tous les branchements sont correctement effectués.
3. Vérifiez que le tuyau d'évacuation n'est pas percé ou déformé afin d'éviter tout risque de fuite d'eau lors de l'évacuation.

Éléments électriques

1. Vérifiez que le cache de la boîte de jonction est fixé à cette dernière sur le côté avant droit du lave-vaisselle.
2. Vérifiez que le boîtier électrique n'a pas été endommagé lors du transport et qu'il est correctement fixé sur la base du lave-vaisselle.

État général

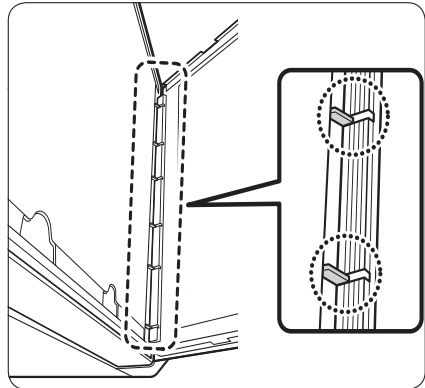
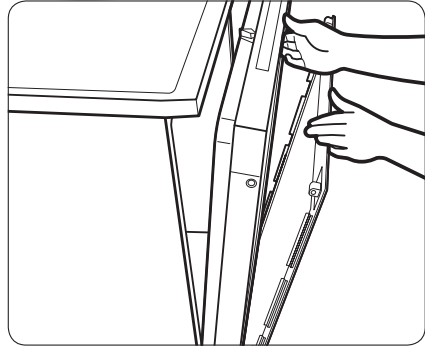
1. Vérifiez l'absence de coups ou de rayures sur l'avant du lave-vaisselle.
2. Vérifiez que les arêtes de la porte sont en parfait état.
3. Vérifiez que le panneau de commande n'est pas rayé et que tous les voyants de contrôle sont au bon endroit.

Pièces

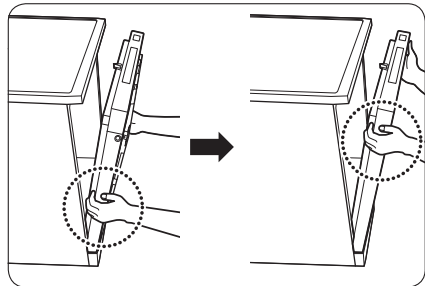
Vérifiez que vous êtes bien en possession de toutes les pièces mentionnées à l'**ÉTAPE 1** en page **page 6**.

ÉTAPE 6 Montage du panneau sur mesure (modèles applicables uniquement)

1. Ouvrez la porte et installez le panneau sur mesure dans la partie inférieure avant de la porte.
Vérifiez que les rainures du panneau s'insèrent dans les orifices correspondants (6 au total) de la porte.



2. Tout en tenant la porte et le panneau sur mesure à deux mains, poussez uniformément le panneau du bas vers le haut pour le verrouiller dans le lave-vaisselle.

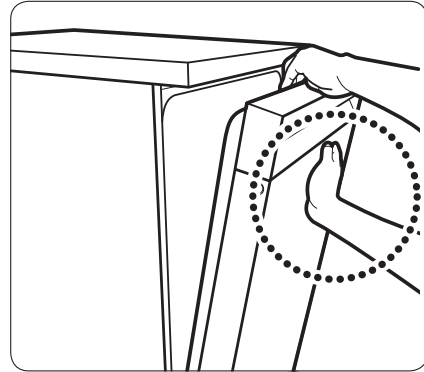


Installation

3. Lorsque les deux côtés du panneau sont verrouillés en position, appuyez sur la partie centrale supérieure du panneau sur mesure pour le fixer sur le haut de la porte.

REMARQUE

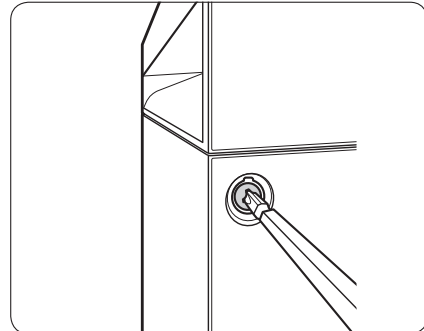
- Vérifiez que le panneau sur mesure s'insère correctement dans le lave-vaisselle.
- Si l'espace entre le lave-vaisselle et le panneau sur mesure est inférieur à 2 mm, l'installation est correcte. Si l'espace est de 2 mm ou plus, retirez le panneau sur mesure et réessayez.



4. Déballiez les bouchons et les vis (deux de chaque) inclus dans l'emballage du produit.
5. Serrez les vis des deux côtés du lave-vaisselle.

REMARQUE

Lorsque vous serrez la vis de chaque côté, veillez à vérifier l'espace de chaque côté car la porte sur mesure risque de pencher d'un côté ou de l'autre.



REMARQUE

Après l'insertion du panneau, contrôlez-le visuellement.

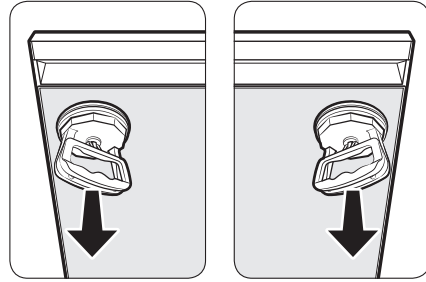
Si le panneau n'est pas inséré correctement, ou si les espaces ne sont pas uniformes aux quatre coins, réinstallez le panneau.

Réinstallation

Retirez les vis situées des deux côtés de la porte. Puis, positionnez les ventouses sur le panneau, l'une sur la partie supérieure gauche du panneau et l'autre sur la partie supérieure droite. Tirez sur les poignées des ventouses pour retirer le panneau, puis réinstallez-le.

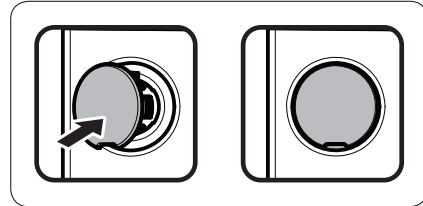
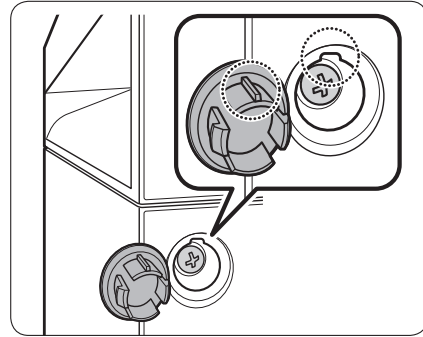
ATTENTION

- L'utilisation des ventouses dans la partie centrale du panneau est susceptible de tordre ce dernier. Veillez à positionner les ventouses dans la partie supérieure gauche et la partie supérieure droite du panneau. Puis, tirez une seule fois sur la poignée de chaque ventouse.
- Vérifiez que la porte est correctement fixée et stable avant d'utiliser les ventouses.

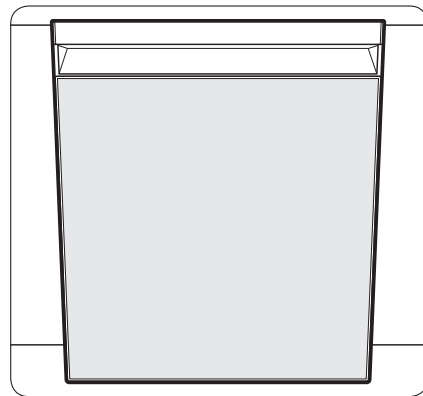


Installation

6. Insérez les bouchons des deux côtés.
Vérifiez que la rainure du bouchon s'insère correctement dans l'orifice du lave-vaisselle, dans la bonne direction.



7. Le montage du panneau sur mesure est maintenant terminé.



ATTENTION

L'installation de tout panneau tiers autre que le panneau sur mesure de Samsung (disponible auprès des revendeurs Samsung agréés) n'est pas autorisée. Le client est responsable de tout problème découlant de l'installation d'un tel panneau tiers.

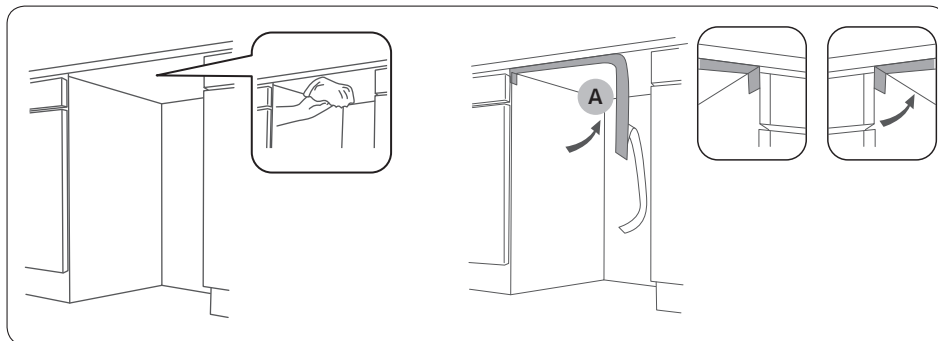
ÉTAPE 7 Préparation du lave-vaisselle

1. Apposez l'autocollant de protection (A).

- Pour éviter tout dommage, apposez l'autocollant de protection sur le dessous du plan de travail, comme indiqué sur l'image.

REMARQUE

- Avant d'apposer l'autocollant de protection, nettoyez le plan de travail comme indiqué sur l'image.
- Veuillez noter que la longueur de l'autocollant de protection est de 26 pouces (660 mm).



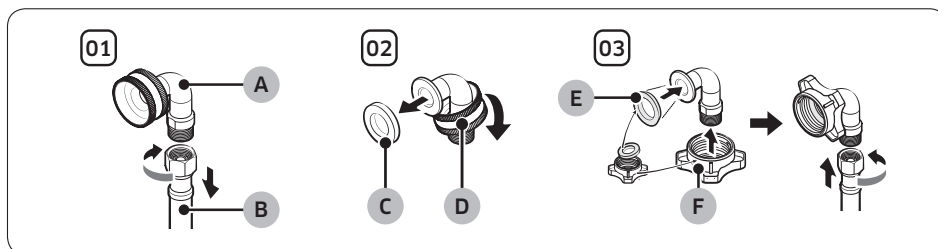
2. Assurez-vous que le disjoncteur et la vanne d'arrivée d'eau sont bien coupés avant d'effectuer les étapes suivantes.

ATTENTION

Avant de déplacer ou de coucher le lave-vaisselle pour l'installation, assurez-vous de régler la hauteur des pieds de sorte qu'ils soient aussi courts que possible. Cela permet d'éviter que les pieds ne se cassent. Mettez le lave-vaisselle de niveau en réglant la hauteur des pieds une fois l'appareil en place.

Installation

3. Utilisez le raccord à écrou fourni pour raccorder le tuyau d'eau au lave-vaisselle. Suivez les étapes ci-après :



- 01 Détachez le raccord à 90° (A) au niveau du tuyau (B).
- 02 Retirez le joint (C) et l'écrou (D) au niveau du raccord à 90°.
- 03 Sur le raccord à écrou fourni, détachez le joint (E) et l'écrou (F), puis installez-les sur le raccord à 90°, comme indiqué sur la figure. Vous devez insérer le côté le plus petit du joint.
4. Ensuite, insérez le raccord $\frac{3}{4}$ " à 90 degrés dans la vanne d'arrivée d'eau (reportez-vous à la Figure 4-B). Serrez jusqu'à ce que le raccord $\frac{3}{4}$ " soit correctement serré. Ne le serrez pas à l'excès.
5. Coupez les bandes Velcro maintenant en place le tuyau d'évacuation à l'arrière du lave-vaisselle. Déroulez le tuyau. Assurez-vous qu'il n'y a pas de nœuds et que le tuyau n'est pas courbé selon des angles extrêmes pouvant freiner l'écoulement de l'eau.
6. À l'aide d'un tournevis, retirez le cache de la boîte de jonction située dans la partie inférieure droite, à l'avant du lave-vaisselle, puis installez le réducteur de tension (Figure 4-C). Conservez précieusement le cache de la boîte de jonction que vous avez retiré. Il sera utilisé à l'ÉTAPE 12, Câblage.
7. Si le plan de travail est en bois ou dans un matériau qui ne risque pas d'être endommagé par le perçage, fixez les deux (2) supports d'installation fournis avec le lave-vaisselle à l'aide des vis fournies (Figure 4-A). Ils seront utilisés à l'ÉTAPE 10, Fixer le lave-vaisselle.

Si le tuyau d'évacuation doit être installé à droite du lave-vaisselle, fixez-le sur le support du tuyau d'évacuation monté sur la base.

Le support du tuyau d'évacuation peut être réglé sur 3 positions. Pour ajuster la hauteur du support du tuyau d'évacuation, saisissez légèrement le support et tournez-le vers la gauche. Insérez le support dans la position souhaitée et tournez-le vers la droite pour le verrouiller en place.

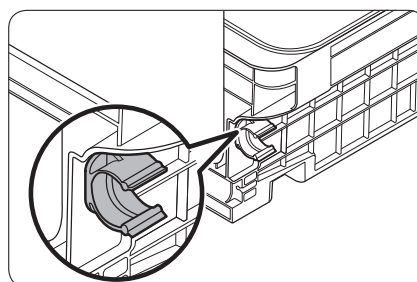
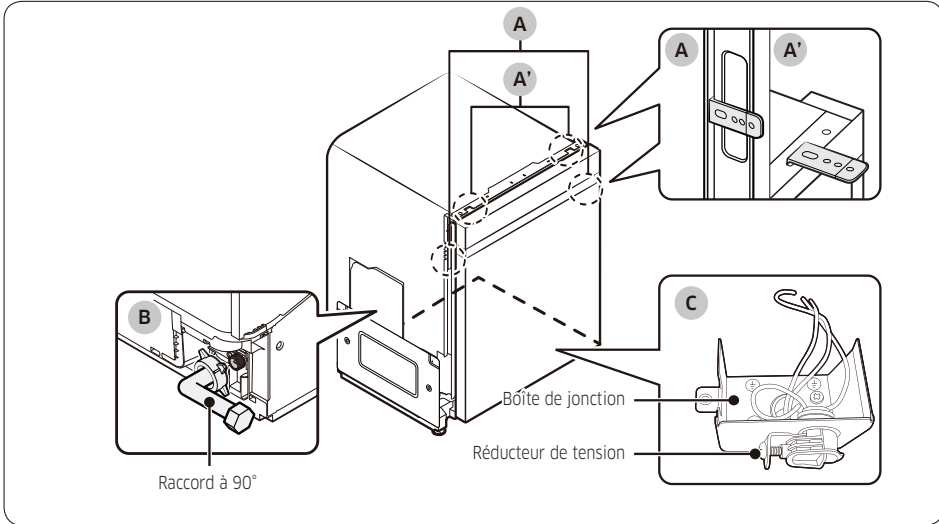


Figure 4



⚠ ATTENTION

Ne serrez pas le raccord à 90° à l'excès. (Moins de 280 lb-po (31,6 N·m))

Vous risqueriez d'endommager la vanne d'arrivée d'eau et de provoquer une fuite.

Installation

ÉTAPE 8 Mise en place du lave-vaisselle et raccordement du tuyau d'arrivée d'eau chaude

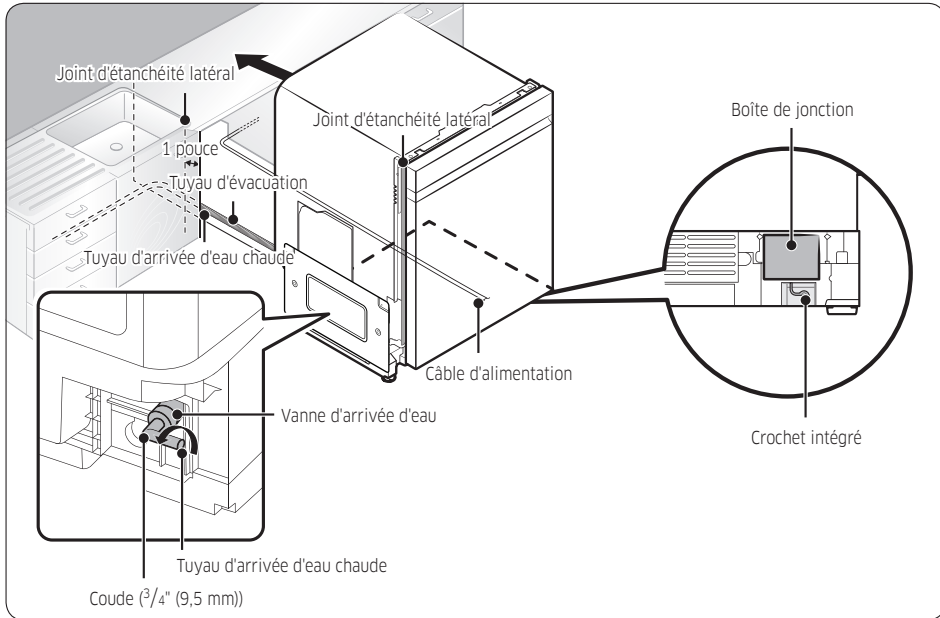
1. Ajustez les trois pieds de mise à niveau situés sous le lave-vaisselle après avoir mesuré la hauteur de l'ouverture du meuble (espace situé entre la face inférieure du plan de travail et le sol). (Voir ÉTAPE 9, Mise à niveau du lave-vaisselle.)
2. Localisez le tuyau d'arrivée d'eau chaude et le câble d'alimentation.
3. Installez le lave-vaisselle de telle manière que le tuyau d'arrivée d'eau chaude soit du côté gauche et le câble d'alimentation dans la gouttière droite située à la base du lave-vaisselle. La gouttière du côté droit dédiée au câble d'alimentation possède un crochet intégré sur la base, vous pouvez ainsi immobiliser le câble.
4. Faites passer le tuyau d'évacuation à travers le trou de la paroi latérale du meuble sous évier. Vérifiez qu'il n'est pas plié.
5. Assurez-vous que le tuyau d'arrivée d'eau chaude n'est pas vrillé, puis raccordez-le au joint du raccord.
6. Faites glisser doucement le lave-vaisselle dans son emplacement. Si possible, tirez doucement sur les longueurs en excès du tuyau d'arrivée d'eau, du tuyau d'évacuation ou du câble d'alimentation pendant l'opération. Le cas échéant, demandez à une autre personne de vous aider.

ATTENTION

Assurez-vous de ne pas déposer le lave-vaisselle sur le tuyau d'arrivée d'eau, le tuyau d'évacuation ou le câble d'alimentation. Assurez-vous aussi qu'ils ne sont ni pliés ni vrillés.

- Assurez-vous que le tuyau d'arrivée est bien raccordé.
Enroulez du ruban Téflon autour de chaque connexion afin d'empêcher toute fuite d'eau. Assurez-vous que les joints d'étanchéité latéraux sont parfaitement insérés. Sinon, cela peut décupler le bruit pendant l'utilisation du lave-vaisselle.
- Assurez-vous que les deux joints d'étanchéité latéraux sont situés entre $\frac{13}{16}$ " et 1" (20 et 25 mm) en arrière par rapport à l'extrémité avant du meuble de cuisine. Une distance inférieure peut décupler le bruit pendant l'utilisation du lave-vaisselle.

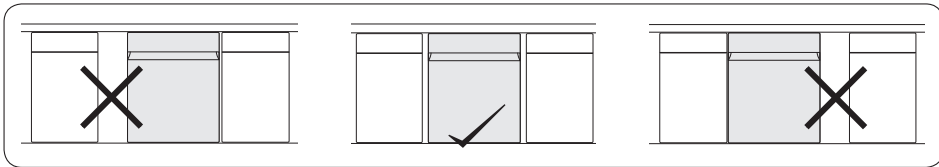
Figure 5



⚠ ATTENTION

Ne serrez pas le raccord à 90° à l'excès.

Vous risqueriez d'endommager la vanne d'arrivée d'eau et de provoquer une fuite.

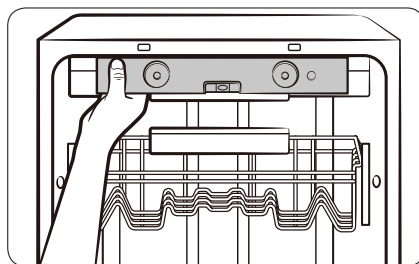


Assurez-vous que le lave-linge est placé au centre.

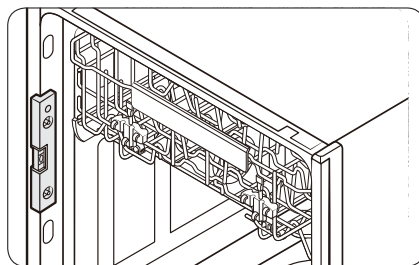
Installation

ÉTAPE 9 Mise à niveau du lave-vaisselle

1. Ouvrez la porte et placez le niveau contre le haut de la cuve située à l'intérieur et vérifiez si le lave-vaisselle est de niveau. S'il n'est pas de niveau, faites tourner les pieds de mise à niveau situés au bas à l'avant du lave-vaisselle jusqu'à ce que ce dernier soit de niveau. Reportez-vous à la première remarque ci-dessous pour connaître les instructions d'ajustement de la hauteur des pieds avant.



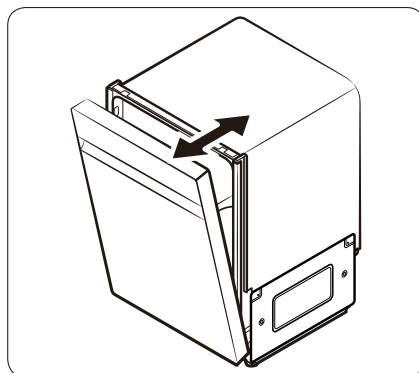
2. Utilisez le niveau pour vérifier si le lave-vaisselle est de niveau d'avant en arrière, comme indiqué sur la figure de droite. Si le lave-vaisselle n'est pas de niveau d'avant en arrière, ajustez la hauteur du pied arrière jusqu'à ce que le lave-vaisselle soit de niveau. Reportez-vous à la deuxième remarque ci-dessous pour connaître les instructions d'ajustement du pied arrière.



REMARQUE

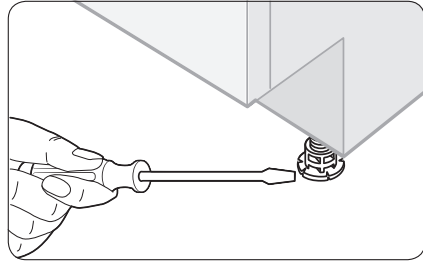
Pour éviter les fuites au niveau de la porte, vérifiez que l'avant du lave-vaisselle n'est pas plus bas que l'arrière.

3. Ouvrez la porte du lave-vaisselle et vérifiez si les dégagements de la porte et de la cuve sont corrects. Si ce n'est pas le cas, faites tourner les pieds de mise à niveau au bas à l'avant du lave-vaisselle. Vous pouvez également vérifier cela en plaçant un niveau contre une surface verticale avant de la cuve, à l'intérieur.



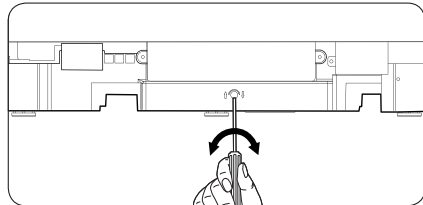
REMARQUE

- Si vous tournez les pieds de mise à niveau vers la gauche (sens inverse des aiguilles d'une montre), ils seront dévissés, ce qui soulèvera l'avant du lave-vaisselle. Si vous les faites tourner vers la droite (sens des aiguilles d'une montre), ils se resserrent et l'avant du lave-vaisselle s'abaisse.
- Vous pouvez ajuster les pieds de mise à niveau au maximum jusqu'à $16/32''$. Toutefois, nous vous déconseillons de mettre l'appareil à niveau à la hauteur maximale.



REMARQUE

Pour ajuster la hauteur d'un pied arrière, tournez le T20 Torx (à l'avant de la base) vers la gauche pour soulever l'arrière du lave-vaisselle en utilisant l'outil approprié (T20 Torx).



ATTENTION

- Avant de déplacer le lave-vaisselle pour l'installation, assurez-vous de régler la hauteur des pieds de sorte qu'ils soient aussi courts que possible. Cela permet d'éviter que les pieds ne se cassent. Mettez le lave-vaisselle de niveau en réglant la hauteur des pieds une fois l'appareil en place.
- Si l'appareil est installé sans avoir été mis à niveau ou avec un pied manquant, la porte risque de ne pas se fermer complètement, et cela peut entraîner une fuite de vapeur ou d'eau.
- Lors du réglage de la hauteur du lave-vaisselle, assurez-vous que le joint d'étanchéité supérieur est parfaitement inséré en dessous du haut du meuble de cuisine. Sinon, cela peut décupler le bruit pendant l'utilisation du lave-vaisselle.

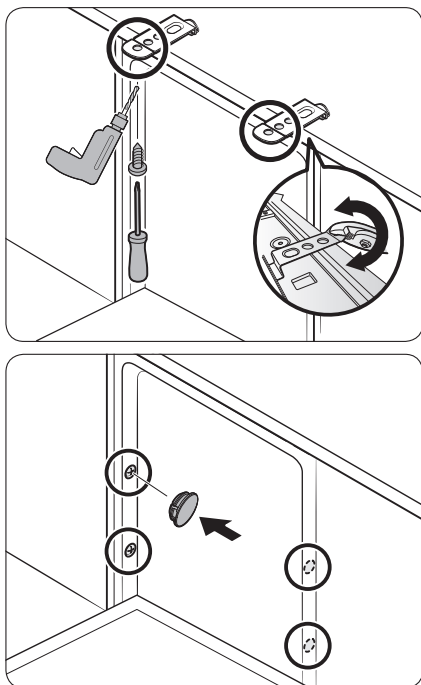
Installation

ÉTAPE 10 Fixation du lave-vaisselle

Pour plus de stabilité et de sécurité, fixez le lave-vaisselle au plan de travail ou aux parois latérales du meuble.

Au plan de travail

Si le plan de travail est en bois ou dans un matériau qui ne risque pas d'être endommagé par le perçage, suivez les instructions ci-dessous.



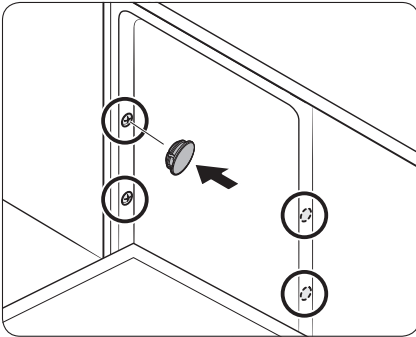
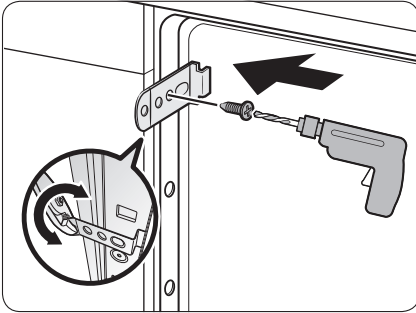
1. Placez une grande serviette dans le fond du lave-vaisselle (recouvrant le filtre) afin d'empêcher que des copeaux de bois ou une vis ne tombent dans le puits collecteur.
2. Insérez les supports fournis dans les trous situés en haut à l'avant du lave-vaisselle, comme indiqué.
Si les supports sont trop longs, coupez-les à l'aide d'une pince.
3. Pré-percez les trous par chevauchement des supports.
Assurez-vous que le trou est plus petit que le diamètre de la vis.
4. Serrez les vis fournies.
5. Installez les bouchons en plastique fournis, comme indiqué.

⚠ ATTENTION

- Après avoir installé le lave-vaisselle à l'intérieur du meuble, vérifiez si la porte s'ouvre et se ferme librement sans interférence avec le meuble.
- Si les bouchons en plastique ne sont pas installés, cela peut entraîner une fuite d'eau puis causer un incendie ou une électrocution.

Sur les côtés

Si le plan de travail est en granite, marbre ou tout autre matériau qui risque d'être endommagé par le perçage, suivez les instructions ci-dessous.



1. Placez une grande serviette dans le fond du lave-vaisselle (recouvrant le filtre) afin d'empêcher que des copeaux de bois ou une vis ne tombent dans le puits collecteur.
2. Insérez les supports fournis dans les trous situés sur les côtés à l'avant du lave-vaisselle, comme indiqué.
Si les supports sont trop longs, coupez-les à l'aide d'une pince.
3. Pré-percez un trou des deux côtés du meuble de cuisine.
Assurez-vous que le trou est plus petit que le diamètre de la vis.
4. Serrez les vis fournies.
5. Installez les bouchons en plastique fournis, comme indiqué.

⚠ ATTENTION

- Après avoir installé le lave-vaisselle à l'intérieur du meuble, vérifiez si la porte s'ouvre et se ferme librement sans interférence avec le meuble.
- Si les bouchons en plastique ne sont pas installés, cela peut entraîner une fuite d'eau puis causer un incendie ou une électrocution.

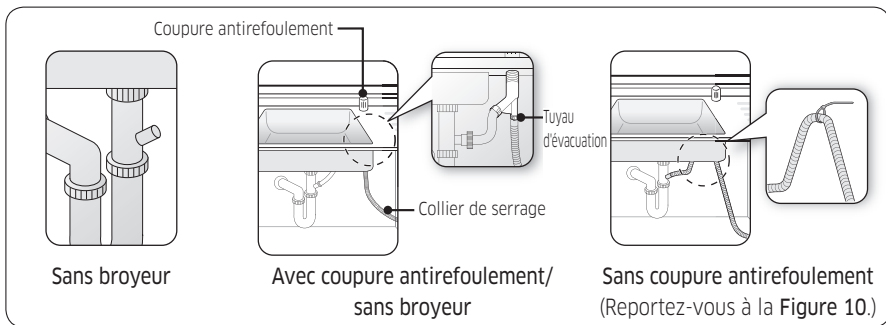
Installation

ÉTAPE 11 Fixation

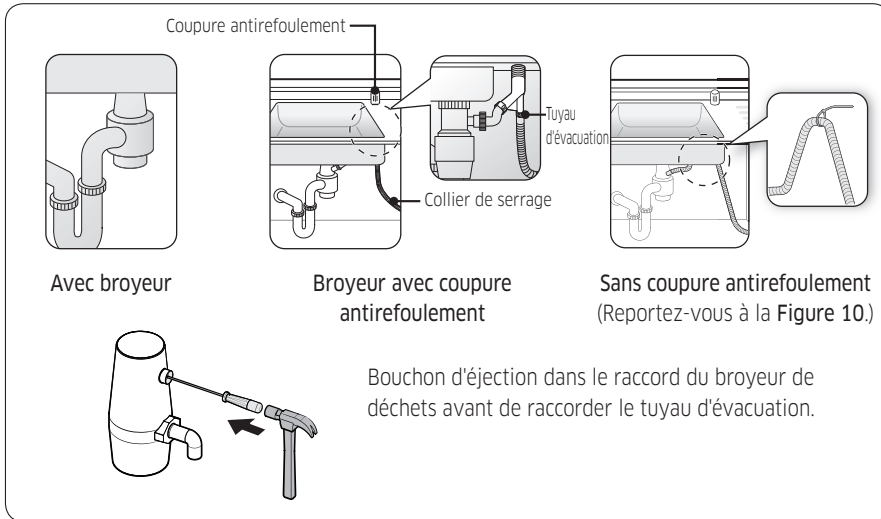
1. Contrôlez les pièces sur l'évier auxquelles le tuyau d'évacuation sera raccordé.
2. Il existe plusieurs façons d'insérer le tuyau d'évacuation dans le raccord du tuyau d'évacuation de l'évier (reportez-vous aux figures suivantes). Le raccordement du tuyau d'évacuation doit se faire conformément aux règlements sur l'installation de tuyaux d'eau en vigueur dans votre région.

Figure 8

Premier cas. Sans broyeur



Deuxième cas. Avec broyeur



3. Vérifiez la taille du raccord du tuyau d'évacuation de l'évier. Au besoin, coupez le tuyau d'évacuation pour que son extrémité s'adapte au raccord de l'évier (5/8 po ou 1 po, comme l'indique la **Figure 9** ci-dessous). Si l'extrémité du tuyau d'évacuation n'est pas adaptée au raccord du tuyau d'évacuation de l'évier, utilisez un adaptateur en vente dans n'importe quel magasin de plomberie/matériel.
4. Faites glisser un collier de serrage sur l'extrémité du tuyau d'évacuation. Fixez le tuyau d'évacuation au raccord de l'évier, faites glisser le collier de serrage jusqu'à l'extrémité du tuyau et serrez le collier.

REMARQUE

L'utilisation d'un collier de serrage est obligatoire. Ne pas en utiliser risque d'entraîner des fuites d'eau.

5. Pour éviter un reflux, raccordez le tuyau d'évacuation sur la paroi latérale ou arrière du meuble de cuisine à l'aide de serre-câbles ou autres dispositifs de fixation. Assurez-vous que le tuyau d'évacuation se situe à une hauteur d'au moins 10 pouces du raccord de l'évier. (Voir **Figure 10**.)
6. Lorsque vous percez un trou dans le tuyau d'évacuation sur la paroi du meuble, veillez à ce que les bords tranchants du trou n'endommagent pas le tuyau d'évacuation. Sur les parois en bois, utilisez du papier abrasif pour poncer et rendre les bords plus lisses.
Sur les parois métalliques, utilisez du ruban isolant ou du ruban pour conduits pour couvrir les bords tranchants autour du trou.

Installation

7. Veillez à ne pas endommager le tuyau d'évacuation lors de l'installation du lave-vaisselle sur le sol, le mur ou le meuble.

REMARQUE

Pour éviter toute fuite ou problème d'évacuation, assurez-vous que le tuyau d'évacuation n'est pas endommagé, plié ou vrillé.

(Lors de l'extension du tuyau d'évacuation, la longueur maximale autorisée est de 3 mètres.)

8. Ne coupez pas la partie rainurée du tuyau d'évacuation pour adapter sa taille. Lors de l'installation du tuyau d'évacuation, veillez à ne pas toucher les bords tranchants du meuble ou sous l'évier.

ATTENTION

- Soyez prudent lorsque vous coupez l'extrémité du tuyau d'évacuation, car il existe un risque de blessures. Nettoyez la partie entourant le raccord d'évacuation de l'évier pour éviter d'endommager le tuyau. Assurez-vous de l'absence de tout corps étranger dans le tuyau d'évacuation. S'il y en a, retirez-les.
- Lors de l'installation du tuyau d'évacuation, assurez-vous que ce dernier n'a pas été coupé, déchiré ou cassé par un bord tranchant du sol, de l'appareil lui-même ou du meuble. Un tuyau d'évacuation endommagé peut entraîner une fuite.
- Veillez à retirer le bouchon du broyeur d'aliments.

Figure 9

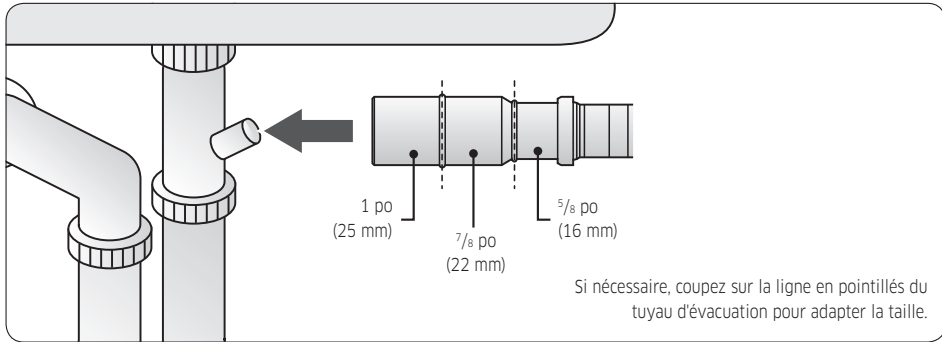
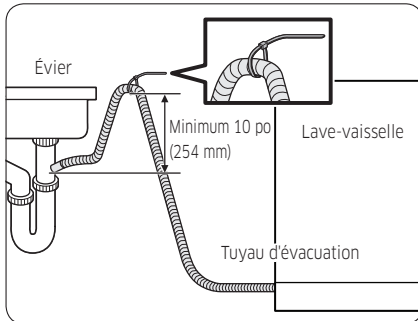


Figure 10



Pour éviter un reflux sur les modèles sans coupure antirefoulement, raccordez le tuyau d'évacuation sur la paroi latérale du meuble de cuisine à l'aide de serre-câbles ou autres dispositifs de fixation. Assurez-vous que le tuyau d'évacuation se situe à une hauteur d'au moins 10 pouces du raccord de l'évier.

Installation

ÉTAPE 12 Câblage

1. Avant de raccorder le câble d'alimentation au lave-vaisselle, assurez-vous d'avoir coupé le disjoncteur.
2. Dans la boîte de jonction située en bas à droite et à l'avant du lave-vaisselle, localisez les trois fils d'alimentation du lave-vaisselle, y compris le câble de mise à la terre.
3. Faites passer le câble d'alimentation dans le réducteur de tension, puis dans la boîte de jonction (Figure 11).
4. Raccordez le fil noir du lave-vaisselle au fil noir du câble d'alimentation en les insérant tous les deux dans un serre-fils, puis en tournant le connecteur comme indiqué sur la Figure 12. Raccordez le fil blanc au fil blanc et le fil vert au fil vert de la même manière.
5. Vérifiez à nouveau chaque câble afin de vous assurer qu'il est correctement et fermement branché. Chaque câble coloré doit être branché au câble correspondant de la même couleur. Le blanc doit être branché avec le blanc, le noir avec le noir et le vert avec le vert.
6. Reconnectez le cache de la boîte de jonction sur le lave-vaisselle.

Figure 11

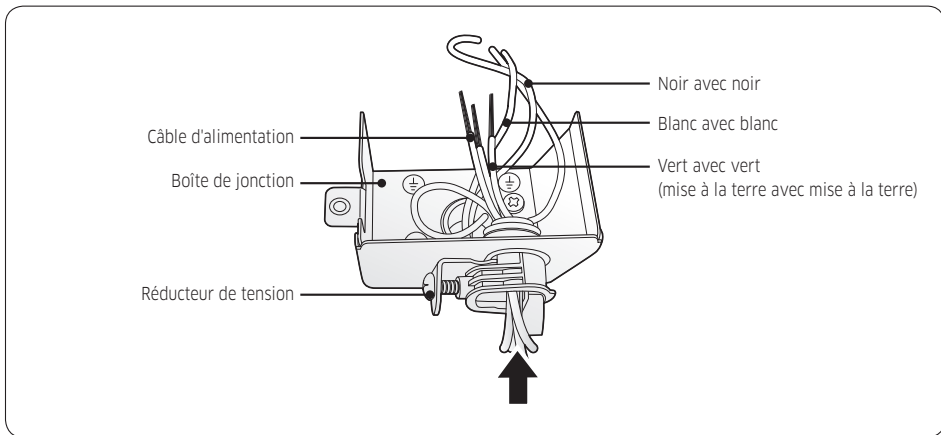
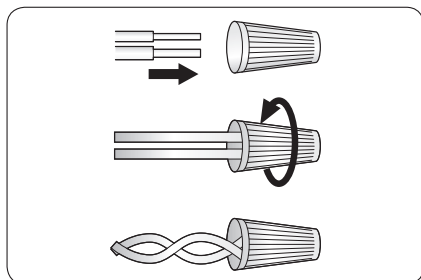


Figure 12



⚠ AVERTISSEMENT

- **Risque d'électrocution**
Pour éviter toute électrocution, ne travaillez pas avec un circuit sous tension. Cela pourrait entraîner des blessures graves voire mortelles. Seuls des électriciens qualifiés doivent effectuer des travaux électriques. Ne tentez aucune action sur le circuit d'alimentation électrique du lave-vaisselle tant que vous n'êtes pas certain que le circuit est hors tension.
- **Risque d'incendie**
Pour éviter tout risque d'incendie, assurez-vous que les circuits électriques sont correctement installés. Seuls des électriciens qualifiés doivent effectuer des travaux électriques.

📄 REMARQUE

Vérifiez à nouveau chaque câble afin de vous assurer qu'il est correctement et fermement branché. Chaque câble coloré doit être branché au câble correspondant de la même couleur. Le câble ne doit pas être tordu dans le sens antihoraire.

Installation

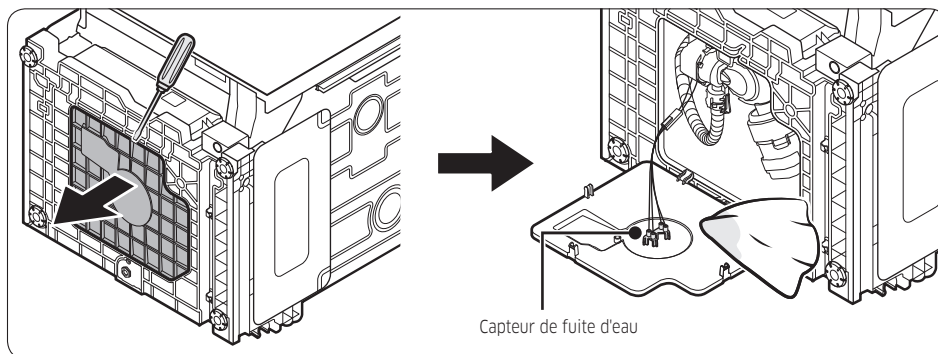
ÉTAPE 13 Fin de l'installation

1. Ouvrez la porte du lave-vaisselle et retirez toute la mousse, l'emballage en papier et tout ce qui est inutile.
2. Remettez alors sous tension le disjoncteur que vous aviez coupé avant de commencer l'installation.
3. Ouvrez ensuite la vanne d'arrivée d'eau pour amener l'eau jusqu'au lave-vaisselle.
4. Allumez le lave-vaisselle, puis sélectionnez et lancez un cycle.

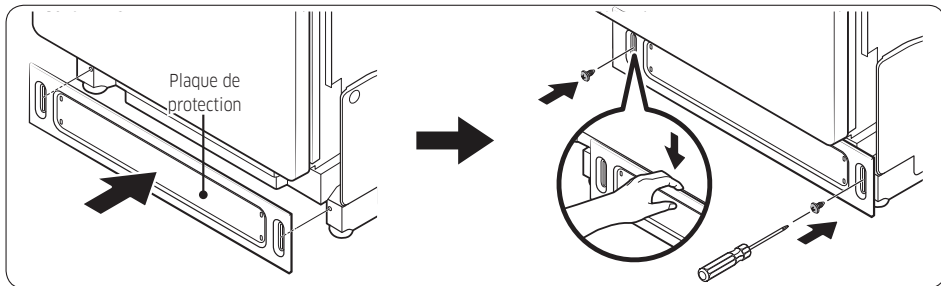
⚠ ATTENTION

Vérifiez l'absence de fuites d'eau au niveau des deux extrémités du tuyau d'arrivée d'eau et du raccordement du tuyau d'évacuation.

5. Vérifiez si le lave-vaisselle s'allume correctement et s'il n'y a pas de fuite. En l'absence de problèmes, éteignez le lave-vaisselle. Ignorez les **Étapes 6 à 11** et passez à l'**Étape 12**.
6. Si le code de contrôle de fuite « LC » s'affiche sur le tableau de commande, maintenez le bouton **Start (Départ)** enfoncé pendant plus de 3 secondes pour démarrer l'évacuation. Une fois la vidange terminée, débranchez le lave-vaisselle et fermez la vanne d'arrivée d'eau.
7. Vérifiez si la vanne d'arrivée d'eau fuit. Si tel est le cas, rebranchez le raccord à 90° sur le tuyau d'arrivée d'eau chaude car ils ne sont pas branchés correctement.
8. Une fois la fuite arrêtée, couchez le lave-vaisselle comme indiqué puis essuyez l'humidité présente sur le capteur de fuite d'eau.



-
9. Branchez le lave-vaisselle, ouvrez l'arrivée d'eau et démarrez le programme Cycle d'installation intelligent.
 - a. Alors que l'appareil est sous tension, appuyez sur **Delay Start (Départ différé)** jusqu'à ce que "17h" s'affiche.
 - b. Appuyez sur **Hi-Temp Wash (Lavage haute température)** pendant 7 secondes jusqu'à ce que "AS" s'affiche.
 - c. Appuyez sur **START (DÉPART)** et fermez la porte. Le Cycle d'installation intelligent démarre.
 - d. Le Cycle d'installation intelligent fonctionne pendant environ 7 minutes.
 - e. Puis, la porte du lave-vaisselle s'ouvre et le chiffre "5" clignote pendant environ 1 minute.
 - f. Enfin, "Ot" s'affiche une fois que le Cycle d'installation intelligent a réussi.
 10. Si le code d'information « LC » apparaît encore sur le tableau de commande, prenez contact avec un centre de dépannage local.
 11. Pour finir, fixez la plaque de protection en bas du lave-vaisselle. Tout en maintenant la jupe en caoutchouc de la porte bien tendue, poussez la plaque de protection depuis l'avant de la jupe en caoutchouc vers l'intérieur en dessous de la porte du lave-vaisselle. Assurez-vous que les joints d'étanchéité de la plaque de protection sont alignés avec le sol et les parois latérales. Ensuite, serrez les vis pour fixer la plaque.



⚠ ATTENTION

Assurez-vous que la plaque de protection n'interfère pas avec l'ouverture et la fermeture de la porte du lave-vaisselle. Essayez d'ouvrir la porte de 90 degrés et vérifiez que la porte s'ouvre complètement sans bruit.

Caractéristiques techniques

Alimentation	CA 120 V, 15 A, 60 Hz
Pression d'eau	20 à 120 psi (140 à 830 kPa)
Dimensions (Longueur × Profondeur × Hauteur)	23 ⁷ / ₈ x 25 x 33 ⁷ / ₈ po (605 x 636 x 860 mm) (DW80CB5450**** / DW80CG5450**** / DW80CG5420**** / DW80CG5020****)
	23 ⁷ / ₈ x 27 ⁵ / ₁₆ x 33 ⁷ / ₈ po (605 x 693 x 860 mm) (DW80CG5451****)
Température minimale de l'arrivée d'eau	120 °F (49 °C)

REMARQUE

Les caractéristiques techniques sont susceptibles d'être modifiées sans préavis, à des fins d'amélioration de la qualité.

Le lave-vaisselle peut différer des illustrations présentées dans le présent manuel.

Mémo

UNE QUESTION ? UN COMMENTAIRE ?

PAYS	APPELEZ LE	OU CONSULTEZ NOTRE SITE INTERNET SUR
U.S.A - Consumer Electronics - Mobile Phones	1-800-SAMSUNG (726-7864) 1-844-SAM-PAYS (726-7297)	www.samsung.com/us/support
MEXICO	800-SAMSUNG	www.samsung.com/mx/support



DD68-00260A-00