

Range Hood Hotte de la cuisine Campana de cocina

Installation Instructions Guide
Guide d'instructions d'installation
Guía de Instrucciones para Instalación

NK36R5000WG/AA, NK30R5000WG/AA
NK36R5000WS/AA, NK30R5000WS/AA



Table of Contents

Important Safety Instructions	3
Installation Requirements	4
<hr/>	
Electrical Requirements	4
Before Installing the Hood	4
Venting Methods	4
Tools and Parts	5
Dimensions and Clearances	5
Installation	6
<hr/>	
Installation Instructions	6
Install the Range Hood	7
Install Duct Covers	8
Electrical Connection	8
Range Hood Use and Care	9
<hr/>	
Description of the Hood	9
Control	9
Maintenance	9
Accessories	10
Range Hood for ADA Compliance	11
Warranty (USA)	12
Warranty (Canada)	13

Important Safety Instructions

APPROVED FOR RESIDENTIAL APPLIANCES FOR RESIDENTIAL USE ONLY READ AND SAVE THESE INSTRUCTIONS

PLEASE READ ENTIRE INSTALLATION GUIDE BEFORE PROCEEDING. INSTALLATION MUST COMPLY WITH ALL LOCAL CODES.

- IMPORTANT:** Save these Instructions for the Local Electrical Inspector's use.
- INSTALLER:** Please leave these Instructions with this unit for the owner.
- OWNER:** Please retain these instructions for future reference.

Symbols used in this manual

WARNING

Hazards or unsafe practices that may result in severe personal injury or death.

CAUTION

Hazards or unsafe practices that may result in electric shock, personal injury, or property damage.

NOTE

Useful tips and instructions

These warning icons and symbols are here to prevent injury to you and others.

Please follow them explicitly. After reading this section, keep it in a safe place for future reference.

WARNING

Turn off the power circuit at the service panel and lock out panel before wiring this appliance.

Requirement 120 VAC, 60 Hz. 15 or 20 A Branch Circuit

WARNING

Cancer and Reproductive Harm - www.P65Warnings.ca.gov

WARNING

TO REDUCE THE RISK OF FIRE, ELECTRIC SHOCK, OR INJURY TO PERSONS, OBSERVE THE FOLLOWING PRECAUTIONS:

- Use this unit only in the manner intended by the manufacturer. If you have questions, contact the manufacturer.
- Before servicing or cleaning the unit, switch the power off at the service panel and lock the service panel to prevent power from being switched on accidentally. When the service disconnecting means cannot be locked, securely fasten a prominent warning device, such as a tag to the service panel.
- Installation work and electrical wiring must be done by qualified person(s) in accordance with all applicable codes and standards, including fire-rated construction.
- Sufficient air is needed for proper combustion and exhausting of gases through the flue (chimney) of fuel burning equipment to prevent backdrafting. Follow the heating equipment manufacturer's guideline and safety standards such as those published by the National Fire Protection Association (NFPA), the American Society for Heating, Refrigeration and Air Conditioning Engineers (ASHRAE), and the local code authorities.

- When cutting or drilling into the wall or ceiling; do not damage electrical wiring and other hidden utilities.
- Ducted fans must always be vented to the outdoors.

CAUTION

For general ventilating use only. Do not use to exhaust hazardous or explosive materials and vapors.

CAUTION

To reduce the risk of fire and to properly exhaust air, be sure to duct air outside - do not vent exhaust air into spaces within walls or ceilings, or into attics, crawl spaces or garages.

WARNING

TO REDUCE THE RISK OF FIRE, USE ONLY METAL DUCTWORK.

WARNING

TO REDUCE THE RISK OF A RANGE TOP GREASE FIRE:

- Never leave surface units unattended at high settings. Boilovers cause smoking and greasy spillovers that may ignite. Heat oils slowly on low or medium settings.
- Always turn the hood ON when cooking at high heat or when flambeing food (i.e. Crepes Suzette, Cherries Jubilee, Peppercorn Beef Flambé).
- Clean ventilating fans frequently. Grease should not be allowed to accumulate on the fan or filter.
- Use proper pan sizes. Always use cookware appropriate for the size of the surface element.

WARNING

TO REDUCE THE RISK OF INJURY TO PERSONS IN THE EVENT OF A RANGE TOP GREASE FIRE, OBSERVE THE FOLLOWING PRECAUTIONS:^a

- SMOTHER FLAMES with a close fitting lid, cookie sheet, or metal tray, then turn off the burner. BE CAREFUL TO PREVENT BURNS. If the flames do not go out immediately, EVACUATE AND CALL THE FIRE DEPARTMENT.
- NEVER PICK UP A FLAMING PAN - you may be burned.
- DO NOT USE WATER, including wet dishcloths or towels - a violent steam explosion will result
- Use an extinguisher ONLY if:
 - You know you have a class ABC extinguisher, and you already know how to operate it.
 - The fire is small and contained in the area where it started.
 - The fire department is being called.
 - You can fight the fire with your back to an exit.

^aBased on "Kitchen Fire Safety Tips" published by NFPA.

WARNING

To reduce the risk of fire or electrical shock, do not use this fan with any solid-state speed control device.

WARNING

Do not let children near this appliance. Do not let children play with this appliance. Keep all packaging materials out of children's reach. Properly dispose the packaging materials after this appliance is unpacked.

NOTE

Suitable for use in household cooking area.

Read and save this instructions

Installation Requirements

Electrical Requirements

IMPORTANT

Observe all governing codes and ordinances.

It is the customer's responsibility:

- To contact a qualified electrical installer.
- To assure that the electrical installation is adequate and in conformance with National Electrical Code, ANSI/NFPA 70 — latest edition*, or CSA Standards C22.1-94, Canadian Electrical Code, Part 1 and C22.2 No.0-M91 - latest edition** and all local codes and ordinances.

If codes permit and a separate ground wire is used, it is recommended that a qualified electrician determine that the ground path is adequate. A copy of the above code standards can be obtained from:

National Fire Protection Association
1 Batterymarch Park
Quincy, MA 02169-7471
CSA International
8501 East Pleasant Valley Road
Cleveland, OH 44131-5575

Other Requirements

- A 120 volt, 60 Hz., AC only, 15-amp, fused electrical circuit is required.
- If the house has aluminum wiring, follow the procedure below:
 1. Connect a section of solid copper wire to the pigtail leads.
 2. Connect the aluminum wiring to the added section of copper wire using special connectors and/or tools designed and UL listed for joining copper to aluminum.
- Follow the electrical connector manufacturer's recommended procedure. Aluminum/copper connections must conform with local codes and industry accepted wiring practices.
- Wire sizes and connections must conform with the rating of the appliance as specified on the model/serial rating plate. The model serial plate is located behind the filter on the rear wall of the range hood.
- Wire sizes must conform to the requirements of the National Electrical Code, ANSI/NFPA 70 (latest edition), or CSA Standards C22.1-94, Canadian Electrical Code, Part 1 and C22.2 No. 0-M91 (latest edition) and all local codes and ordinances.
- A U.L.- or C.S.A.-listed conduit connector must be provided at each end of the power supply conduit (at the range hood and at the junction box).

Before installing the Hood

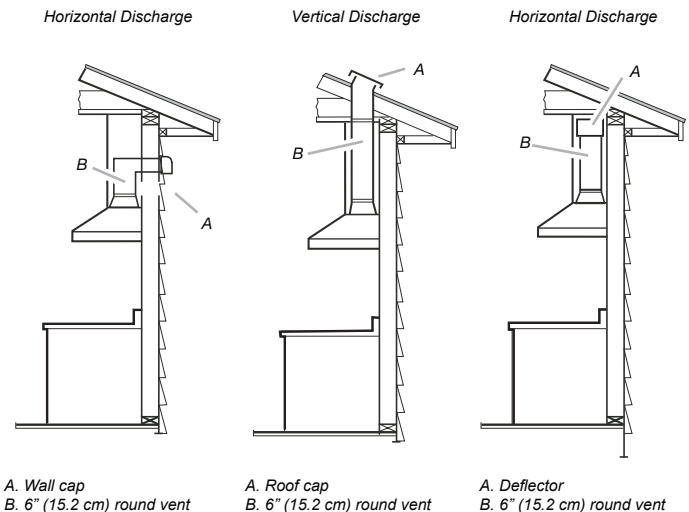
- The Vent system must terminate outdoors.
- For the most efficient air flow exhaust, use a straight run or as few elbows as possible. CAUTION: Vent unit to outside of building, only.
- At least two people are necessary for installation.
- Fittings material are provided to secure the hood to most types of walls and ceilings. Consult a qualified installer to confirm that the fittings are suitable for your cabinets, walls, and ceiling.
- Do not use flexible ducting.
- COLD WEATHER installations should have an additional backdraft damper installed to minimize backward cold air flow and a nonmetallic thermal break to minimize conduction of outside temperatures as part of the ductwork. The damper should be on the cold air side of the thermal break. The break should be as close as possible to where the ducting enters the heated portion of the house.

Venting Methods

Closely follow the instructions set out in this manual. Samsung is not responsible for any eventual inconveniences, damages or fires caused by not complying with the instructions in this manual.

Ducting version

The hood is equipped with a 6" (15.2 cm) round transition for discharge of fumes to the outside.



Preparation

Do not cut a joist or stud unless absolutely necessary. If a joist or stud must be cut, then a supporting frame must be constructed. Fittings material are provided to secure the hood to most types of walls/ceilings. However, a qualified technician must verify that the fittings are suitable for your cabinets, walls, and ceiling. Before making cutouts, make sure there is proper clearance within the ceiling or wall for the exhaust vent.

Ductless version (Recirculating)

For installations where cooking fumes and vapor cannot be discharged to the outside, attach a charcoal filter and the deflector on the duct cover support bracket. Fumes and vapors will be recycled through the top grille by a duct connected to the transition and the transition mounted on the deflector.

NOTE

For horizontal discharge only: purchase the Ductless Recirculating Kit. Minimum Duct Size: 6" Round Pipe.

CAUTION

- For electric/induction cooktop & range installations: Mount the hood so the bottom is at least 24" (61cm) above the cooking surface.
- For gas cooktop & range installations: Mount the hood so the bottom is at least 27" (68.6 cm) above the cooking surface.
- For both, mount no higher than 36" (91.4 cm) above the cooking surface.
- Measure the mounting height from the surface of the range to the bottom of the hood.

WARNING

This hood is intended for household use. PLEASE READ THE INSTALLATION MANUAL FOR THE HOOD'S SPECIFIC APPLICATION. Check your ceiling height and the hood's height before selecting your hood.

Installation Requirements

Tools and Parts

Removing the packaging

⚠ CAUTION


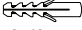

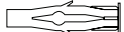



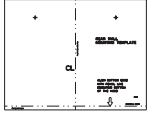
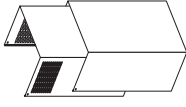
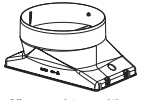
Remove the carton carefully. Wear gloves to protect against sharp edges.

⚠ WARNING

Remove the protective film covering the product before putting it into operation.

Parts supplied

- Hood assembly with blower and LED lamps already installed.
- Hardware bag with:

Part	Qty	Part	Qty
 5x45 mm	6	 8x40 mm	2
 5.4x75 mm	4	 10x60 mm	4
 3.5x9.5 mm	2	 Duct cover bracket	1
 2.9x6.5 mm	2	 Mounting template	1
 Duct Covers	2	 6" round transition	1

Tools/Materials required

- Level
- Drill with 1¼" (3.2 cm), ½" (3.2 mm), and ¼" (4.8 mm) drill bits
- Pencil
- Wire stripper or utility knife
- Tape measure or ruler
- Pliers
- Caulking gun and weatherproof caulking compound
- Jigsaw or keyhole saw
- Metal snips
- Screwdrivers:
 - Phillips
 - Flat - blade

Parts needed

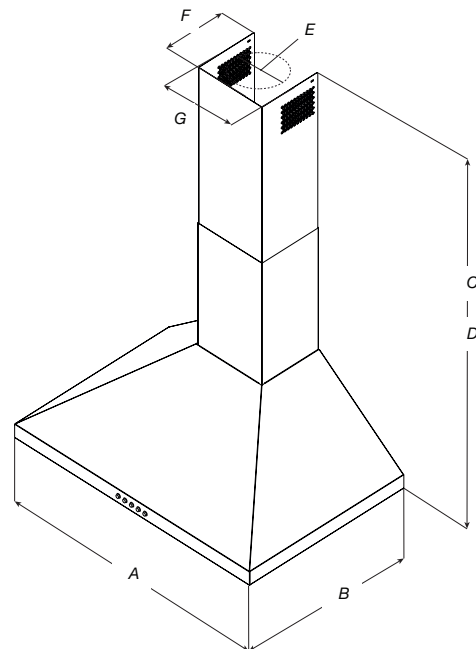
- Home power supply cable
- ½" (12.7 mm) UL listed or CSA approved strain relief
- 3 UL listed wire connectors
- 1 wall or roof cap
- Metal vent system

Optional accessories and consumable parts

MODEL	NK30R5000WS NK36R5000WS	NK30R5000WG NK36R5000WG
Extension Kit	NK-AE505PWS/AA	NK-AE505PWG/AA
Recirculating Kit	NK-AF020FNB/AA	
Charcoal Filter	NK-AR040FNB/AA	

* Order the needed kit specifying your hood model.

Dimensions and Clearances



	NK30R5000WS NK36R5000WS	NK30R5000WG NK36R5000WG
A	30" (76.2 cm)	36" (91.2 cm)
B	19 11/16" (50 cm)	
C*	Max: 42 1/8" (107 cm) Min: 28 9/16" (72 cm)	
D**	Max: 38 3/16" (97 cm) Min: 28 9/16" (72 cm)	
E	6" (15.24 cm)	
F	7 3/16" (18.3 cm)	
G	8 3/16" (20.8 cm)	

* Ductless (Recirculating) version

** Ducted version

Installation

Installation Instructions

We recommend that a qualified technician install the range hood. It is the installer's responsibility to ensure the range hood complies with the installation clearances specifications for the product.

- It is recommended that the vent system be installed before the hood is installed.
- Before making cutouts, make sure there is proper clearance within the ceiling or wall for the exhaust vent.
- Confirm that all installation parts have been removed from the shipping carton.

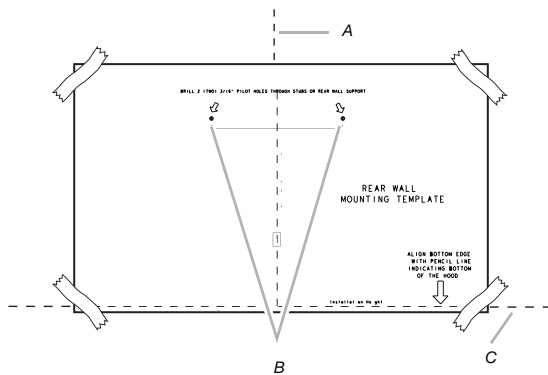
⚠ WARNING

To reduce the risk of fire, electric shock, or injury to persons, observe the following.

- Shut off power to the circuit you will be attaching the hood to at the circuit breaker panel or fuse box.
- Determine which venting method to use: roof, wall, or nonvented.
- Select a flat surface for assembling the range hood. Place a covering over that surface.
- Always have 2 or more persons lift or move the range hood.

Mounting the duct cover bracket

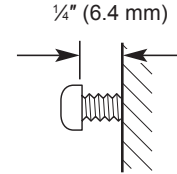
1. Determine and mark the centerline on the wall where the canopy hood will be installed. Shut off power at the circuit breaker panel or fuse box.
2. Select a mounting height of no less than 24" (61 cm) above an electric cooking surface or 27" (68.6 cm) above a gas cooking surface.
3. Tape the template in place, aligning the template center line and bottom with the hood center line and hood bottom line marked on the wall.



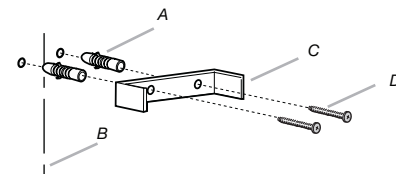
A. Centerline
B. Fastener locations
C. Mounting height reference (hood bottom line)

4. Mark the centers of the fastener locations on the wall by pushing a pencil point through the template.
IMPORTANT: All screws must be installed into the wood studs or framing. If there is no wood to screw into, additional wall framing supports may be required.
5. Remove the template.

6. Drill $\frac{3}{16}$ " (4.8 mm) pilot holes at all locations where screws are going to be installed into wood.
7. Install the 2 - 5 x 45 mm mounting screws. Leave a $\frac{1}{4}$ " (6.4 mm) gap between the wall and the back of the screw head to slide the range hood into place.



8. Attach the vent cover bracket to the wall flush to the ceiling using 2 - 5 x 45mm screws.



A. 8 x 40 mm anchors
B. Centerline on wall

C. Vent cover support bracket
D. 5 x 45 mm screws

Complete preparation

1. Determine and make all necessary cuts in the wall for the vent system. Install the vent system before installing the hood. See "Venting Requirements" section.
2. Determine the required height for the home power supply cable and drill a $1\frac{1}{4}$ " (3.2 cm) hole at this location.
3. Run the home power supply cable according to the National Electrical Code or CSA Standards and local codes and ordinances. There must be enough $\frac{1}{2}$ " conduit and wires from the fused disconnect (or circuit breaker) box to make the connection in the hood's electrical terminal box.

📄 NOTE

Do not turn on power until the installation is complete.

4. Use caulk to seal all openings

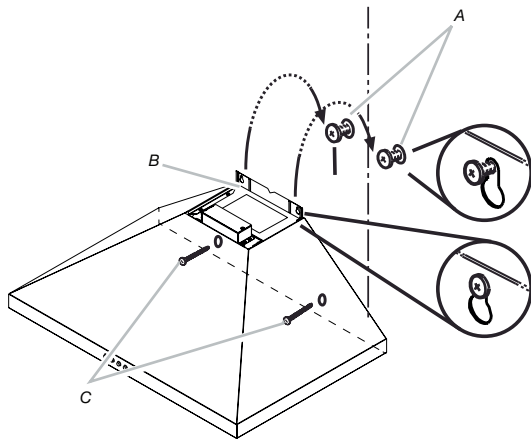
Installation

Install the Range Hood

⚠ WARNING

USE TWO OR MORE PEOPLE TO MOVE AND INSTALL THE RANGE HOOD. FAILURE TO DO SO CAN RESULT IN BACK OR OTHER INJURY.

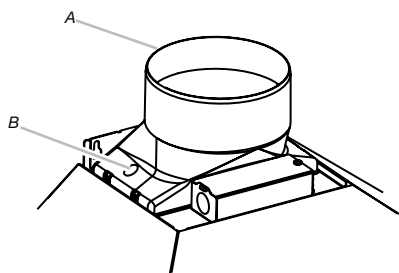
1. Mark the lower mounting hole locations with a pencil .
2. Uninstall the hood assembly, and drill $\frac{3}{16}$ " (4.8 mm) pilot holes at the marked locations.
3. Hang the range hood again on 2 the upper mounting screws.
4. Level the range hood and tighten the upper mounting screws.
5. Install 2 - 5 x 45 mm lower mounting screws and tighten. Use the optional wall anchors if needed.



A. Mounting screws
B. Mounting slots
C. Lower mounting screws

Connect the vent system

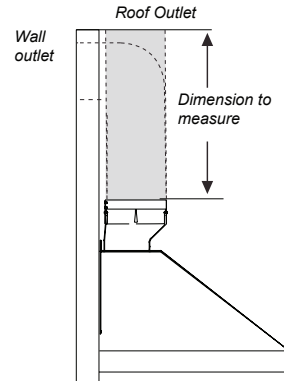
1. Install the transition on top of the hood (if removed for shipping) with 2-3.5x9.5 mm sheet metal screws.



A. Vent transition
B. 3.5 x 9.5 mm screw

For vented installations only

1. Fit the vent system over the exhaust outlet.
2. Measure from the bottom of the air deflector to the bottom of the hood outlet. Cut the ductwork at the measured dimension.



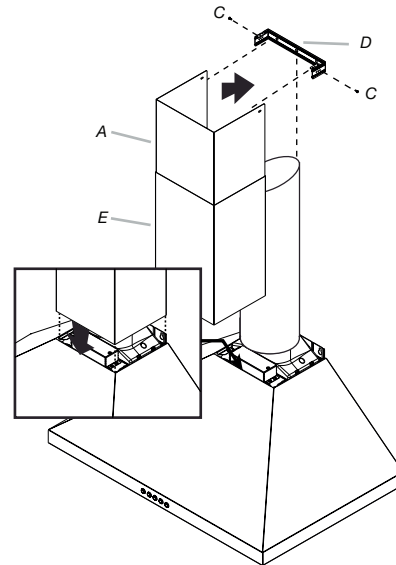
3. Seal the connection with clamps.
4. Confirm that the back draft dampers work properly

Install the Duct Covers

When using both upper and lower vent covers, push the lower cover down onto the hood and lift the upper cover to the ceiling, and then install with two mounting screws.

📖 NOTE

For vented installations, the upper vent cover may be reversed to hide slots.



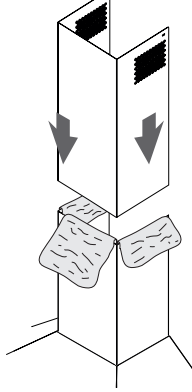
A. Upper vent cover
B. Lower vent cover

C. 2.9 x 6.5 mm screws
D. Bracket

Installation

NOTE

To prevent scratches, lay paper or a kitchen towel over the edges of the lower flue duct to protect the surface.



Complete Installation

- For non-vented (recirculating) installations only, install charcoal filters over metal grease filter. See the “Accessories” section.
- Install metal filters. See the “Maintenance” section.

Electrical Connection

⚠ WARNING

Electrical shock hazard.

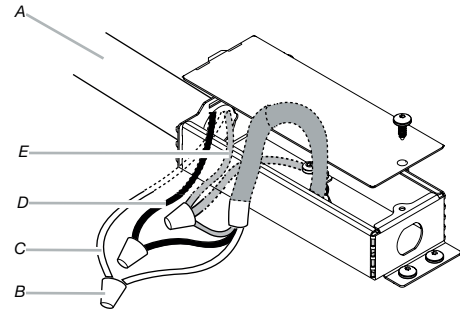
⚠ WARNING

Shut off power at the circuit breaker panel or fuse box before servicing. Replace all parts and panels before operating. Failure to do so can result in death or electrical shock.

⚠ WARNING

Electrically ground the blower. Connect the ground wire to the green and yellow ground wire in the terminal box. Failure to do so can result in death or electrical shock.

1. Shut off power at the circuit breaker panel or fuse box.
2. Remove the terminal box cover.
3. Remove the knockout in the terminal box cover and install a UL listed or CSA approved $\frac{1}{2}$ " strain relief.
4. Run the home power supply cable through the strain relief, into the terminal box.



A. Home power supply cable
B. UL listed wire connectors
C. White wires (N)

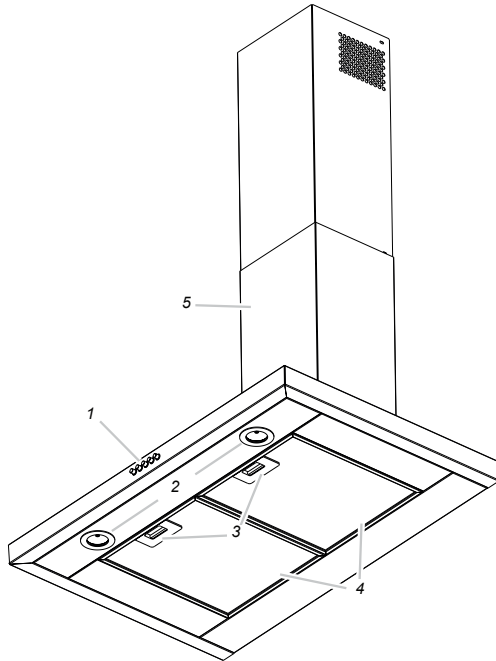
D. Black wires (L)
E. Green (or bare) and
yellow-green ground

5. Use UL listed wire connectors and connect the black wires (D) together.
6. Use UL listed wire connectors and connect the white wires (C) together.
7. Connect the green (or bare) ground wire from the home power supply to the yellow-green ground wire (E) in the terminal box using UL listed wire connectors.
8. Tighten the strain relief screw.
9. Install the terminal box cover.
10. Turn on the power.

To get the most efficient use from your new range hood, read the “Maintenance” section. Keep your Use, Care, and installation Guide close to the range hood for easy reference.

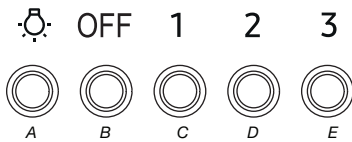
Range Hood Use and Care

Description of the Hood



1. Blower and light controls
2. LED lamps
3. Grease filter handle
4. Grease filters
5. Duct covers

Control



- A. Light On/Off
B. Off button
C. Low button

- D. Med button
E. High button

Operating the light

The Light On/Off button (A) controls both lights. Press once for On and again for Off.

Operating the blower

The Blower OFF button (B) turns the blower off.

The Blower Speed buttons (C,D,E) set the desired speed and control the sound level for quiet operation. The speed can be changed anytime during fan operation by pressing the desired blower speed button.

1. To Turn the Blower On, press a Blower Speed button (C,D,E).
2. To Turn the Blower off, press the Blower OFF Button (B).

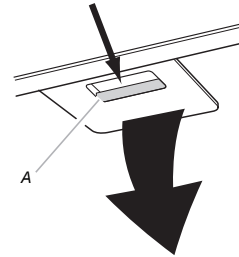
Maintenance

Cleaning

Do not spray cleaners directly onto the controls while cleaning the Hood. The hood should be cleaned regularly internally (at least as often as you clean the grease filters and externally. Clean using a cloth dampened with neutral liquid detergent. Do not use abrasive products. **DO NOT USE ALCOHOL!**

Grease Filter

Traps cooking grease particles. Th grease filter must be cleaned once a month using a mild detergent, either by hand or in a dishwasher, which must be set to a low temperature and a short cycle. When washed in a dishwasher, the grease filter may discolor slightly, but this does not affect its filtering capacity. To remove the grease filter, pull the spring release handle.



A. Spring release handle

⚠ WARNING

Failure to carry out these basic cleaning recommendations for the hood and failure to clean the grease filter may cause fire risks. Therefore, we strongly recommend you follow these instructions. Samsung is not responsible for any damage to the motor or for any fire damage linked to inappropriate maintenance or failure to observe these cleaning and safety recommendations.

Replacing a LED lamp

The LED lights are replaceable by a service technician only. See the warranty for service contact information.

Range Hood Use and Care

Accessories

For non-vented (recirculating) installation only

NOTE

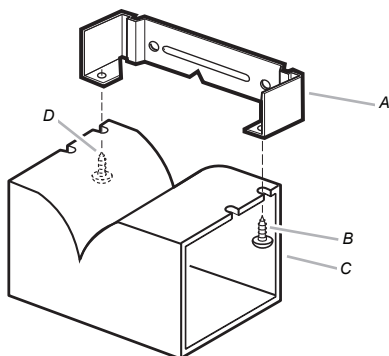
To reduce the risk of fire or shock when the hood is used in recirculation mode, use only the conversion kit models listed below:

Recirculating kit: NK-AF020FNB/AA

Charcoal Filter Replacement kit: NK-AR040FNB/AA

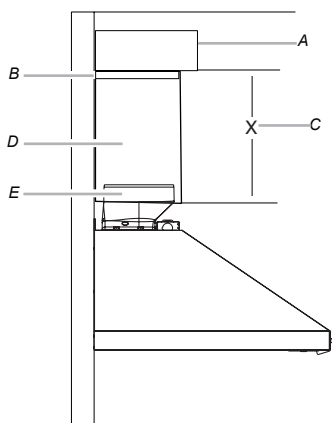
To attach the recirculation kit, follow these steps:

1. Assemble the air deflector with the duct cover bracket with 2 - assembly screws provided with the Recirculation Kit.



A. Vent cover bracket
B. 2.9 x 6.5 mm screws
C. Deflector
D. Deflector

2. Measure from the bottom of the air deflector to the bottom of the hood outlet.



A. Air deflector
B. Vent clamp
C. X = length to cut vent duct
D. Vent duct
E. Exhaust outlet

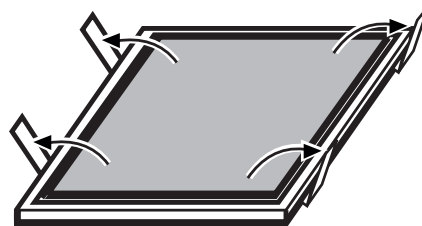
3. Cut the duct to the measured size (X).
4. Remove the air deflector.
5. Slide the duct onto the bottom of the air deflector.
6. Place the assembled air deflector and duct over the exhaust outlet from the hood.
7. Re-attach the air deflector to the duct cover bracket with 2 assembly screws.
8. Seal the connections with vent clamps

Charcoal filter

The charcoal filter is not washable. It should last up to 6 months with normal use. Replace with Charcoal Filter Replacement Kit.

To replace charcoal filter:

1. Remove the metal grease filter from the range hood.
2. Bend the spring clips away from the metal grease filter.



3. Place the charcoal filter into the top side of metal filter.
4. Insert the metal grease filter back into the range hood.

Range Hood for ADA Compliance

Range Hood Use and Care

Range hoods can be installed to comply with Sections 308 and 309 of ADA Guidelines, when used with appropriately mounted controls installed at 15" (38.1 cm) to 40" (101.6 cm) above the floor and control access does not require reaching over a cooking appliance.

The following range hoods NK30R5000WS, NK36R5000WS, NK30R5000WG, NK36R5000WG can work in an ADA Compliant situation when the range hood is wired to operate from a dedicated, standard electrical wall switch. To facilitate this application, share the information on the following pages with your electrician when preparing for the installation.

NOTE

All the models can be controlled by only one remote switch (The switch activates or deactivates the motor and the light of the hood).

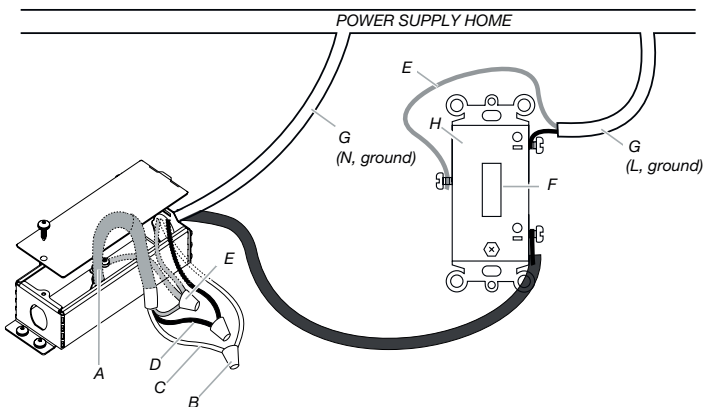
WARNING

All electrical work must be done in accordance with local codes, ordinances, or the national electrical code as applicable. For safety, this product must be installed in a grounded switch box. The electrical wiring installation must be done by a qualified technician.

WARNING

Electrical Shock Hazard

Turn off power at the circuit breaker panel or fuse box before servicing. Replace all parts and panels before operating. Failure to do so can result in death or electrical shock.



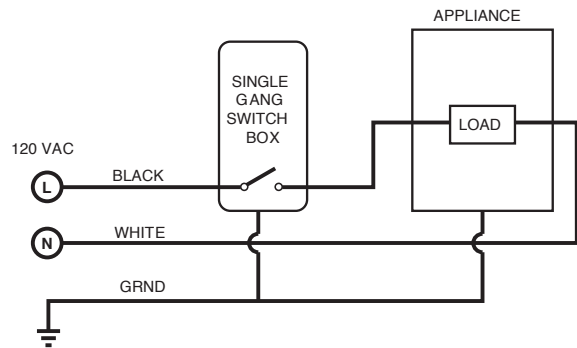
A. Range Hood Cable
B. UL listed wire connector
C. White wires (N)
D. Black wires (L)
E. Green (or bare) and yellow-green ground

F. UL listed switch
G. Home power supply cable
H. Deep single gang switch box

WARNING

To avoid fire or electrical shock, turn off power at the circuit breaker panel or fuse box. Confirm that the power is off before wiring.

1. MOUNT THE SWITCH BOX . Install a 3½" deepsingle gang switch box
2. ATTACH THE POWER CABLE. Clamp wiring to the switch box and unit using an appropriate clamp. Provide 6" leads inside the box and fan for easier wiring.
3. CONNECT THE WIRING. General instructions:
 - Make sure both the switch box and the appliance are properly grounded.
 - Make sure the ground wire is securely fastened to the control's ground screw. Tighten the ground screw.
 - Use proper wire nut sizes for the number and size of the wires.
 - For push-in and screw terminals: Use min. #14 AWG solid copper wire only.
 - Tighten the screw terminals.
 - Make electrical connections following the appropriate diagram.



4. MOUNT THE CONTROL IN THE SWITCH BOX. Tuck wires into the switch box and fasten the control to the box using the attached screws.
5. ATTACH THE SWITCH PLATE. Fasten the switch plate to the control using the short screws from the parts bag.

warranty (USA)

SAMSUNG RANGE HOOD

Limited warranty to original purchaser

This SAMSUNG brand product, as supplied and distributed by Samsung Electronics America, Inc. (SAMSUNG) and delivered new, in the original carton to the original consumer purchaser, is warranted by SAMSUNG against manufacturing defects in materials and workmanship for a limited warranty period of:

ONE (1) YEAR PARTS AND LABOR

This limited warranty begins on the original date of purchase, and is valid only on products purchased and used in the United States. To receive warranty service, the purchaser must contact SAMSUNG for problem determination and service procedures. Warranty service can only be performed by a SAMSUNG authorized service center. The original dated bill of sale must be presented upon request as proof of purchase to SAMSUNG or SAMSUNG's authorized service center.

SAMSUNG will repair or replace this product, at our option and at no charge as stipulated herein, with new or reconditioned parts or products if found to be defective during the limited warranty period specified above. All replaced parts and products become the property of SAMSUNG and must be returned to SAMSUNG. Replacement parts and products assume the remaining original warranty, or ninety (90) days, whichever is longer.

In-home service will be provided during the warranty labor period subject to availability within the contiguous United States. In-home service is not available in all areas. To receive in-home service, the product must be unobstructed and accessible to service personnel. If during in-home service repair can not be completed, it may be necessary to remove, repair and return the product.

This limited warranty covers manufacturing defects in materials and workmanship encountered in normal, noncommercial use of this product and shall not apply to the following, including, but not limited to: damage which occurs in shipment; delivery and installation; applications and uses for which this product was not intended; altered product or serial numbers; cosmetic damage or exterior finish; accidents, abuse, neglect, fire, water, lightning or other acts of nature; use of products, equipment, systems, utilities, services, parts, supplies, accessories, applications, installations, repairs, external wiring or connectors not supplied or authorized by SAMSUNG which damage this product or result in service problems; incorrect electrical line voltage, fluctuations and surges; customer adjustments and failure to follow operating instructions, cleaning, maintenance and environmental instructions that are covered and prescribed in the instruction book; problems caused by pest infestations, and overheating by user.

THERE ARE NO EXPRESS WARRANTIES OTHER THAN THOSE LISTED AND DESCRIBED ABOVE, AND NO WARRANTIES WHETHER EXPRESS OR IMPLIED, INCLUDING, BUT NOT LIMITED TO, ANY IMPLIED WARRANTIES OF MERCHANTABILITY OR FITNESS FOR A PARTICULAR PURPOSE, SHALL APPLY AFTER THE EXPRESS WARRANTY PERIODS STATED ABOVE, AND NO OTHER EXPRESS WARRANTY OR GUARANTEE GIVEN BY ANY PERSON, FIRM OR CORPORATION WITH RESPECT TO THIS PRODUCT SHALL BE BINDING ON SAMSUNG. SAMSUNG SHALL NOT BE LIABLE FOR LOSS OF REVENUE OR PROFITS, FAILURE TO REALIZE SAVINGS OR OTHER BENEFITS, OR ANY OTHER SPECIAL, INCIDENTAL OR CONSEQUENTIAL DAMAGES CAUSED BY THE USE, MISUSE OR INABILITY TO USE THIS PRODUCT, REGARDLESS OF THE LEGAL THEORY ON WHICH THE CLAIM IS BASED, AND EVEN IF SAMSUNG HAS BEEN ADVISED OF THE POSSIBILITY OF SUCH DAMAGES. NOR SHALL RECOVERY OF ANY KIND AGAINST SAMSUNG BE GREATER IN AMOUNT THAN THE PURCHASE PRICE OF THE PRODUCT SOLD BY SAMSUNG AND CAUSING THE ALLEGED DAMAGE. WITHOUT LIMITING THE FOREGOING, PURCHASER ASSUMES ALL RISK AND LIABILITY FOR LOSS, DAMAGE OR INJURY TO PURCHASER AND PURCHASER'S PROPERTY AND TO OTHERS AND THEIR PROPERTY ARISING OUT OF THE USE, MISUSE OR INABILITY TO USE THIS PRODUCT SOLD BY SAMSUNG NOT CAUSED DIRECTLY BY THE NEGLIGENCE OF SAMSUNG. THIS LIMITED WARRANTY SHALL NOT EXTEND TO ANYONE OTHER THAN THE ORIGINAL PURCHASER OF THIS PRODUCT IS NON-TRANSFERABLE AND STATES YOUR EXCLUSIVE REMEDY.

Some provinces or territories may or may not allow limitations on how long an implied warranty lasts, or the exclusion or limitation of incidental or consequential damages, so the above limitations or exclusions may not apply to you. This warranty gives you specific legal rights, and you may also have other rights which vary from state to state.

To obtain warranty service, please contact SAMSUNG at:

**1-800-SAMSUNG (726-7864) or
www.samsung.com/us/support**

warranty (Canada)

SAMSUNG RANGE HOOD

Limited warranty to original purchaser

This SAMSUNG brand product, as supplied and distributed by Samsung Electronics Canada, Inc. (SAMSUNG) and delivered new, in the original carton to the original consumer purchaser, is warranted by SAMSUNG against manufacturing defects in materials and workmanship for a limited warranty period of:

ONE (1) YEAR PARTS AND LABOR

This limited warranty begins on the original date of purchase, and is valid only on products purchased and used in Canada. To receive warranty service, the purchaser must contact SAMSUNG for problem determination and service procedures. Warranty service can only be performed by a SAMSUNG authorized service center. The original dated bill of sale must be presented upon request as proof of purchase to SAMSUNG or SAMSUNG's authorized service center.

SAMSUNG will repair or replace this product, at our option and at no charge as stipulated herein, with new or reconditioned parts or products if found to be defective during the limited warranty period specified above. All replaced parts and products become the property of SAMSUNG and must be returned to SAMSUNG. Replacement parts and products assume the remaining original warranty, or ninety (90) days, whichever is longer.

In-home service will be provided during the warranty labor period subject to availability within the contiguous Canada. In-home service is not available in all areas. To receive in-home service, the product must be unobstructed and accessible to service personnel. If during in-home service repair can not be completed, it may be necessary to remove, repair and return the product.

This limited warranty covers manufacturing defects in materials and workmanship encountered in normal, noncommercial use of this product and shall not apply to the following, including, but not limited to: damage which occurs in shipment; delivery and installation; applications and uses for which this product was not intended; altered product or serial numbers; cosmetic damage or exterior finish; accidents, abuse, neglect, fire, water, lightning or other acts of nature; use of products, equipment, systems, utilities, services, parts, supplies, accessories, applications, installations, repairs, external wiring or connectors not supplied or authorized by SAMSUNG which damage this product or result in service problems; incorrect electrical line voltage, fluctuations and surges; customer adjustments and failure to follow operating instructions, cleaning, maintenance and environmental instructions that are covered and prescribed in the instruction book; problems caused by pest infestations, and overheating by user. SAMSUNG does not warrant uninterrupted or error-free operation of the product.

THERE ARE NO EXPRESS WARRANTIES OTHER THAN THOSE LISTED AND DESCRIBED ABOVE, AND NO WARRANTIES WHETHER EXPRESS OR IMPLIED, INCLUDING, BUT NOT LIMITED TO, ANY IMPLIED WARRANTIES OF MERCHANTABILITY OR FITNESS FOR A PARTICULAR PURPOSE, SHALL APPLY AFTER THE EXPRESS WARRANTY PERIODS STATED ABOVE, AND NO OTHER EXPRESS WARRANTY OR GUARANTEE GIVEN BY ANY PERSON, FIRM OR CORPORATION WITH RESPECT TO THIS PRODUCT SHALL BE BINDING ON SAMSUNG. SAMSUNG SHALL NOT BE LIABLE FOR LOSS OF REVENUE OR PROFITS, FAILURE TO REALIZE SAVINGS OR OTHER BENEFITS, OR ANY OTHER SPECIAL, INCIDENTAL OR CONSEQUENTIAL DAMAGES CAUSED BY THE USE, MISUSE OR INABILITY TO USE THIS PRODUCT, REGARDLESS OF THE LEGAL THEORY ON WHICH THE CLAIM IS BASED, AND EVEN IF SAMSUNG HAS BEEN ADVISED OF THE POSSIBILITY OF SUCH DAMAGES. NOR SHALL RECOVERY OF ANY KIND AGAINST SAMSUNG BE GREATER IN AMOUNT THAN THE PURCHASE PRICE OF THE PRODUCT SOLD BY SAMSUNG AND CAUSING THE ALLEGED DAMAGE. WITHOUT LIMITING THE FOREGOING, PURCHASER ASSUMES ALL RISK AND LIABILITY FOR LOSS, DAMAGE OR INJURY TO PURCHASER AND PURCHASER'S PROPERTY AND TO OTHERS AND THEIR PROPERTY ARISING OUT OF THE USE, MISUSE OR INABILITY TO USE THIS PRODUCT SOLD BY SAMSUNG NOT CAUSED DIRECTLY BY THE NEGLIGENCE OF SAMSUNG. THIS LIMITED WARRANTY SHALL NOT EXTEND TO ANYONE OTHER THAN THE ORIGINAL PURCHASER OF THIS PRODUCT IS NON-TRANSFERABLE AND STATES YOUR EXCLUSIVE REMEDY.

Some provinces or territories may or may not allow limitations on how long an implied warranty lasts, or the exclusion or limitation of incidental or consequential damages, so the above limitations or exclusions may not apply to you. This warranty gives you specific legal rights, and you may also have other rights which vary from state to state.

To obtain warranty service, please contact SAMSUNG at:

1-800-SAMSUNG (726-7864) or
www.samsung.com/ca/support (English),
www.samsung.com/ca_fr/support (French)

Sommaire

Importantes Consignes de Sécurité	15
Exigences d'Installation	17
Spécifications Électriques	17
Exigences Concernant l'évacuation	17
Méthodes d'évacuation	17
Outils et Pièces	18
Dimensions et Espaces	18
Installation de la Hotte	19
Instructions d'installation	19
Montage du support de couvercle de conduit	19
Installation sur le mur	20
Installer les Couvre-conduits	20
Connexion Électrique	21
Utilisation de la hotte	22
Description de la hotte	22
Commandes de la hotte	22
Entretien	22
Accessoires	23
Hotte de cuisinière pour conformité ADA	24
Garantie (USA)	25
Garantie (Canada)	26

Importantes Consignes de Sécurité

APPROUVÉ POUR LES APPAREILS DE TYPE RÉSIDENTIEL POUR UNE UTILISATION RÉSIDENTIELLE SEULEMENT LISEZ CES INSTRUCTIONS ET CONSERVEZ-LES

VEUILLEZ LIRE CES INSTRUCTIONS AU COMPLET AVANT DE COMMENCER.

L'INSTALLATION DE L'APPAREIL DOIT RESPECTER TOUS LES CODES EN VIGUEUR.

IMPORTANT: Conservez ces instructions afin de pouvoir les remettre à l'inspecteur-électricien de votre région.

INSTALLATEUR: Veuillez laisser ces instructions avec l'appareil pour le propriétaire.

PROPRIÉTAIRE: Veuillez conserver ces instructions pour pouvoir vous y référer plus tard.

Symboles utilisés dans ce manuel

AVERTISSEMENT

Dangers ou pratiques dangereuses qui peuvent entraîner des blessures personnelles graves ou la mort.

ATTENTION

Dangers ou pratiques dangereuses qui peuvent entraîner un choc électrique, des blessures personnelles ou des dommages matériels.

REMARQUE

Des conseils et des instructions utiles

Ces icônes et ces symboles d'avertissement sont là pour prévenir des blessures qui peuvent vous arriver aussi bien à vous qu'aux autres. S'il vous plaît suivez-les de manière explicite. Après avoir lu cette section, le conserver dans un endroit sûr pour des références futures.

AVERTISSEMENT

Coupez l'alimentation du circuit dans le panneau électrique et verrouillez le panneau avant de raccorder les fils de cet appareil.

Exigence 120 V c.a., 60 Hz circuit de dérivation de 15 V c.a., 20 Hz, de 15 ou 20 A.

Etat de Californie Proposition 65 avertissement (Etats-Unis seulement)

AVERTISSEMENT

Ce produit contient des produits chimiques reconnus par l'Etat de Californie comme pouvant provoquer des cancers et des malformations congénitales ou autres problèmes de reproduction.

AVERTISSEMENT

POUR RÉDUIRE LE RISQUE D'INCENDIE, CHOC ÉLECTRIQUE OU DOMMAGES CORPORELS, RESPECTER LES INSTRUCTIONS SUIVANTES:

- Utiliser cet appareil uniquement dans les applications envisagées par le fabricant. Pour toute question, contacter le fabricant.
- Avant d'entreprendre un travail d'entretien ou de nettoyage, interrompre l'alimentation de la hotte au niveau du tableau de disjoncteurs, et verrouiller le tableau de disjoncteurs pour empêcher tout rétablissement accidentel de l'alimentation du circuit. Lorsqu'il n'est pas possible de verrouiller le tableau de disjoncteurs, placer sur le tableau de disjoncteurs une étiquette d'avertissement prééminente interdisant le rétablissement de l'alimentation.
- Tout travail d'installation ou câblage électrique doit être réalisé par une personne qualifiée, dans le respect des prescriptions de tous les codes et normes applicables, y compris les codes du bâtiment et de protection contre les incendies.

- Une source d'air de débit suffisant est nécessaire pour le fonctionnement correct de tout appareil à gaz (combustion et évacuation des gaz à combustion par la cheminée), pour qu'il n'y ait pas de reflux des gaz de combustion. Respecter les directives du fabricant de l'équipement de chauffage et les prescriptions des normes de sécurité - comme celles publiées par la National Fire Protection Association (NFPA) et l'American Society for Heating, Refrigeration and Air Conditioning Engineers (ASHRAE), et les prescriptions des autorités réglementaires locales.
- Lors d'opérations de découpage et de perçage dans un mur ou un plafond, veiller à ne pas endommager les câblages électriques ou canalisations qui peuvent s'y trouver.
- Les ventilateurs d'évacuation doivent toujours décharger l'air à l'extérieur.

ATTENTION

Cet appareil est conçu uniquement pour la ventilation générale. Ne pas l'utiliser pour l'extraction de matières ou vapeurs dangereuses ou explosives.

ATTENTION

Pour minimiser le risque d'incendie et évacuer adéquatement les gaz, veiller à acheminer l'air aspiré par un conduit jusqu'à l'extérieur - ne pas décharger l'air aspiré dans un espace vide du bâtiment comme une cavité murale, un plafond, un grenier, un vide sanitaire ou un garage.

AVERTISSEMENT

POUR RÉDUIRE LE RISQUE D'INCENDIE, UTILISER UNIQUEMENT DES CONDUITS MÉTALLIQUES.

AVERTISSEMENT

POUR MINIMISER LE RISQUE D'UN FEU DE GRAISSE SUR LA CUISINIÈRE:

- Ne jamais laisser un élément de surface fonctionner à puissance de chauffage maximale sans surveillance. Un renversement/débordement de matière grasseuse pourrait provoquer une inflammation et la génération de fumée. Utiliser une puissance de chauffage moyenne ou basse pour le chauffage d'huile.
- Veiller à toujours faire fonctionner le ventilateur de la hotte lors de la cuisson avec une puissance de chauffage élevée ou lors de la cuisson d'un mets à flamber (à savoir crêpes Suzette, cerise jubilé, steak au poivre flambé).
- Nettoyer fréquemment les ventilateurs d'extraction. Veiller à ne pas laisser la graisse s'accumuler sur les surfaces du ventilateur ou des filtres.
- Utiliser toujours un ustensile de taille appropriée. Utiliser toujours un ustensile adapté à la taille de l'élément chauffant.

Importantes Consignes de Sécurité

⚠ AVERTISSEMENT

POUR RÉDUIRE LE RISQUE DE DOMMAGES CORPORELS APRÈS LE DÉCLENCHEMENT D'UN FEU DE GRAISSE SUR LA CUISINIÈRE, APPLIQUER LES RECOMMANDATIONS SUIVANTES:^a

- Placer sur le récipient un couvercle bien ajusté, une tôle à biscuits ou un plateau métallique **POUR ÉTOUFFER LES FLAMMES**, puis éteindre le brûleur. **VEILLER À ÉVITER LES BRÛLURES**. Si les flammes ne s'éteignent pas immédiatement, **ÉVACUER LA PIÈCE ET APPELER LES POMPIERS**.
- **NE JAMAIS PRENDRE EN MAIN UN RÉCIPIENT ENFLAMMÉ** - vous risquez de vous brûler.
- **NE PAS UTILISER D'EAU**, ni un torchon humide - ceci pourrait provoquer une explosion de vapeur brûlante.
- Utiliser un extincteur **SEULEMENT** si:
 - Il s'agit d'un extincteur de classe ABC, dont on connaît le fonctionnement.
 - Il s'agit d'un petit feu encore limité à l'endroit où il s'est déclaré.
 - Les pompiers ont été contactés.
 - Il est possible de garder le dos orienté vers une sortie pendant l'opération de lutte contre le feu.

^aRecommandations tirées des conseils de sécurité en cas d'incendie de cuisine publiés par la NFPA.

⚠ AVERTISSEMENT

Pour réduire le risque d'incendie ou de choc électrique, ne pas utiliser ce ventilateur avec un quelconque dispositif de réglage de la vitesse à semiconducteurs.

⚠ AVERTISSEMENT

Ne pas laisser les enfants à proximité de cet appareil. Ne laissez pas les enfants jouer avec cet appareil. Conservez tous les matériaux d'emballage hors de la portée des enfants. Jetez les matériaux d'emballage après que cet appareil ait été déballé.

Lire et conserver ces Instructions

Exigences d'Installation

Spécifications Électriques

IMPORTANT

Observer les dispositions de tous les codes et règlements en vigueur.

Le client a la responsabilité de:

Contactez un électricien-installateur.

Vérifier que l'installation électrique est adéquate et conforme avec le Code national de l'électricité, ANSI/NFPA 70 (la plus récente édition*), ou les normes C22.1-94, Code canadien de l'électricité, Partie 1 et C22.2 No.0-M91(La plus récente édition**) de la CSA, ainsi que tous les codes et les ordonnances de votre région.

Si le code le permet et que vous utilisez un fil de mise à la terre distinct, il est recommandé de faire vérifier le chemin du fil par un électricien.

Pour obtenir un exemplaire des normes des codes ci-dessus, contactez:

National Fire Protection Association
1 Batterymarch Park
Quincy, MA 02169-7471
CSA International
8501 East Pleasant Valley Road
Cleveland, OH 44131-5575

- L'appareil doit être alimenté par un circuit de 120 V CA seulement, 60 Hz, 15 ampères, protégé par fusible.
- Si le domicile est équipé d'un câblage en aluminium, suivre les instructions suivantes:
 1. Raccorder une section de câble en cuivre massif aux conducteurs en queue de cochon.
 2. Connecter le câblage en aluminium à la section ajoutée de câblage en cuivre en utilisant des connecteurs et/ou des outils spécialement conçus et homologués UL pour fixer le cuivre à l'aluminium.
- Suivre la procédure recommandée par le fabricant de connecteurs électriques. Les raccordements aluminium/ cuivre doivent satisfaire aux prescriptions des codes locaux et de l'industrie, et être conformes aux pratiques de câblage reconnues.
- Le calibre des conducteurs et les connexions doivent être compatibles avec les caractéristiques électriques de l'appareil spécifiées sur la plaque signalétique. La plaque signalétique de l'appareil est située derrière le filtre, sur la paroi arrière de la hotte.
- Le calibre des conducteurs doit être conforme aux exigences du National Electrical Code, de la plus récente édition de la norme ANSI/NFPA 70 ou des normes CSA C22. 1-94, Code canadien de l'électricité, partie 1 et C22.2 n° 0-M91 (édition la plus récente) et de tous les codes et règlements en vigueur.

Exigences Concernant l'évacuation

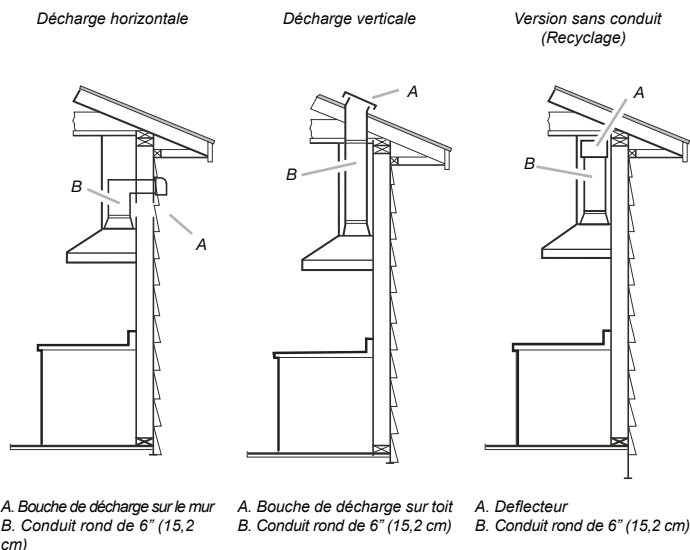
- Le système de ventilation doit se terminer à l'extérieur.
- Pour une évacuation d'air optimale, utilisez une ligne droite ou le moins de coudes possible. MISE EN GARDE: Ventilez l'appareil uniquement à l'extérieur du bâtiment.
- Au moins deux personnes sont nécessaires pour l'installation.
- Le matériel de fixation est fourni pour fixer la hotte à la plupart des types de murs et de plafonds. Consultez un installateur qualifié. Confirmez que les raccords s'adaptent parfaitement à votre armoire / mur.
- Ne pas utiliser de conduits flexibles.
- Les installations PAR TEMPS FROID devraient avoir un registre anti-retour supplémentaire installé afin de minimiser le flux d'air froid vers l'arrière et une coupure thermique non métallique pour minimiser la conduction des températures extérieures dans les conduits. Le registre doit être du côté de l'air froid de la coupure thermique. La pause doit être aussi proche que possible de l'endroit où les conduits entrent dans la partie chauffée de la maison.

Méthodes d'évacuation

Suivez attentivement les instructions données dans ce manuel. Samsung ne peut être tenu responsable des éventuels désagréments, dommages ou incendies résultant du non-respect des instructions de ce manuel.

Version canalisation

La hotte est équipée d'une transition rond de 6 "(15.2 cm) pour l'évacuation des fumées vers l'extérieur.



Préparation

Ne coupez pas une solive ou un poteau, sauf en cas de nécessité absolue. Si une solive ou un poteau doit être coupé, un cadre porteur doit être construit. Le matériel de fixation est fourni pour fixer la hotte à la plupart des types de murs / plafonds. Cependant, un technicien qualifié doit vérifier l'adéquation des matériaux en fonction du type de mur / plafond. Avant de faire des découpes, assurez-vous qu'il y a un dégagement suffisant dans le plafond ou le mur pour le conduit d'évacuation.

Version sans conduit (recirculation)

Dans les cas où il n'est pas possible d'évacuer les vapeurs et les vapeurs de cuisson à l'extérieur, fixez un filtre à charbon et le déflecteur sur le support de cache-conduit. Les fumées et les vapeurs sont recyclées à travers la grille supérieure au moyen d'un conduit relié à la transition et à la transition montée sur le déflecteur.

REMARQUE

Pour une décharge horizontale uniquement: achetez le kit de recirculation sans conduit. Taille minimale du conduit: tuyau rond de 6 ".

ATTENTION

- Pour les tables de cuisson et les cuisinières électriques / à induction: Montez la hotte de sorte que le fond se trouve à au moins 24" (61cm) de la surface de cuisson.
- Pour les tables de cuisson au gaz et les cuisinières: Montez la hotte de sorte que le fond se trouve à au moins 27" (68.6 cm) au-dessus de la surface de cuisson.
- Dans les deux cas, ne montez pas à plus de 36" (91.4 cm) au-dessus de la surface de cuisson.
- Mesurez la hauteur de montage de la surface de la cuisinière au bas de la hotte.

AVERTISSEMENT

Cette hotte est destinée à un usage domestique. VEUILLEZ LIRE LE MANUEL D'INSTALLATION POUR L'APPLICATION SPÉCIFIQUE DE LA HOTTE. Vérifiez la hauteur de votre plafond et celle de la hotte avant de choisir votre hotte.

Exigences d'Installation

Outils et Pièces

Enlever l'emballage

⚠ ATTENTION








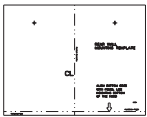
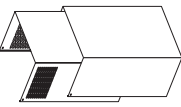
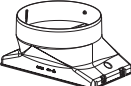
Enlever délicatement le carton. Porter des gants pour se protéger des bords coupants.

⚠ AVERTISSEMENT

Enlever le film de protection recouvrant le produit avant de commencer l'opération.

Outils et pièces

- Hotte avec ventilateur et lampes DEL
- Kit quincaillerie comprenant:

Pièce	Qty	Pièce	Qty
 5x45 mm	6	 8x40 mm	2
 5.4x75 mm	4	 10x60 mm	4
 3.5x9.5 mm	2	 Support de couverture de conduit	1
 2.9x6.5 mm	2	 Gabarit de montage	1
 Couvertures De Conduits	2	 6" transition ronde	1

Outils nécessaires

- Niveau
- Perceuse avec forets de 1/4" (3.2 cm), 1/8" (3.2 mm), y 1/16" (4,8 mm)
- Crayon
- Pince à dénuder ou couteau utilitaire
- Mètre-ruban ou règle
- Pince
- Pistolet à calfeutrage et composé de calfeutrage résistant aux intempéries
- Brides de conduit
- Scie sauteuse ou scie à guichet
- Tournevis à lame plate
- Cisaille de ferblantier
- Tournevis Phillips (Pozidrive) et tournevis Torx 20

Pièces nécessaires

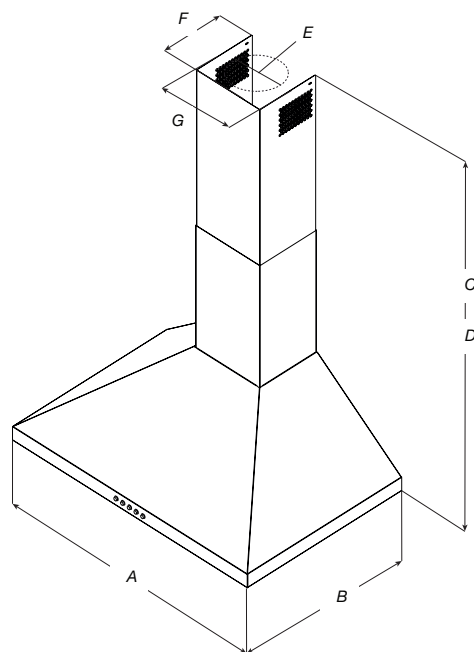
- Câble d'alimentation électrique du domicile
- Serre-câble de 1/2" (12,7 mm) (homologation UL ou CSA)
- 3 connecteurs de fils homologués UL
- 1 bouche de décharge (décharge à travers le mur ou à travers le toit)
- Circuit d'évacuation métallique

Accessoires optionnel

MODÈLE	NK30R5000WS NK36R5000WS	NK30R5000WG NK36R5000WG
	Kit d'extension	NK-AE505PWS/AA
Kit de recirculation	NK-AF020FNB/AA	
Filtre à charbon	NK-AR040FNB/AA	

* Commandez le kit nécessaire en spécifiant le modèle de votre hotte.

Dimensions et Espaces



	NK30R5000WS NK36R5000WS	NK30R5000WG NK36R5000WG
A	30" (76.2 cm)	36" (91.2 cm)
B	19 1/16" (50 cm)	
C*	Max: 42 1/8" (107 cm) Min: 28 3/16" (72 cm)	
D**	Max: 38 3/16" (97 cm) Min: 28 3/16" (72 cm)	
E	6" (15.24 cm)	
F	7 3/16" (18.3 cm)	
G	8 3/16" (20.8 cm)	

* Seulement avec la version sans conduit (à recyclage)

** Seulement avec la version version à conduit

Installation

Instructions d'installation

Nous recommandons qu'un technicien qualifié installe la hotte. Il est de la responsabilité de l'installateur de s'assurer que la hotte de cuisine est conforme aux tolérances d'installation spécifiées pour le produit.

- Il est recommandé d'installer le système d'évacuation avant de procéder à l'installation de la hotte.
- Si l'on installe un dossier avec des tablettes pour les lampes à rayons infrarouges, suivre les instructions fournies avec ce produit-là.
- Avant d'exécuter les découpes, vérifier la disponibilité d'un dégagement suffisant dans le plafond ou le mur pour le conduit d'évacuation.
- Vérifier que les pièces d'installation ont été retirées du carton d'expédition.

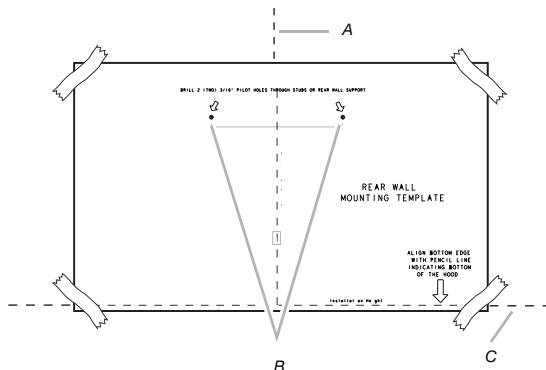
⚠ AVERTISSEMENT

Pour réduire les risques d'incendie, de choc électrique ou de blessure, observez les points suivants.

1. Déconnecter la source de courant électrique
2. Déterminer la méthode d'évacuation à utiliser: par le toit ou le mur.
REMARQUE: Cette hotte est configurée pour expulser l'air par la sortie supérieure.
3. Sélectionner une surface plane pour l'assemblage de la hotte. Placer le matériau de protection sur cette surface.

Montage du support de couvercle de conduit

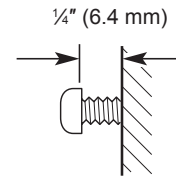
1. Déterminez et marquez l'axe central sur le mur où la hotte sera installée. Débranchez le courant.
2. Sélectionnez une hauteur de montage d'au moins 24" (61 cm) pour une surface de cuisson électrique ou de 27" (68,6 cm) pour une surface de cuisson à gaz.
3. Collez le gabarit en place en alignant la ligne médiane et la partie inférieure du gabarit sur la ligne inférieure de la hotte et sur la ligne médiane marquée au mur.



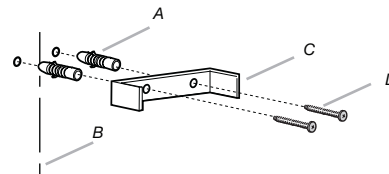
A. Ligne centrale
B. Emplacement des fixations
C. Référence de hauteur de montage (ligne inférieure de la hotte)

4. Marquez les centres des emplacements des fixations sur le mur en poussant un crayon à travers le gabarit.
IMPORTANT: Toutes les vis doivent être installées dans les poteaux en bois ou la charpente. S'il n'y a pas de bois dans lequel visser, des supports de charpente supplémentaires peuvent être nécessaires.
5. Retirez le modèle.
6. Percez des avant-trous de $\frac{3}{16}$ " (4.8 mm) à tous les emplacements où les vis vont être installées dans le bois.
7. Installez les vis de montage 2 - 5 x 45 mm. Laissez un espace de $\frac{1}{4}$ "

(6.4 mm) entre le mur et l'arrière de la tête de la vis pour faire glisser la hotte en place.



8. Fixez le support du capot de ventilation au mur au ras du plafond à l'aide de 2 - 5 x 45 mm vis.



A. Ancres de 8 x 40 mm
B. Ligne centrale sur le mur
C. Support de couverture C. Vent
D. Vis de 5 x 45 mm

Achever l'installation

1. Déterminez et faites toutes les coupes nécessaires dans le mur pour le système de ventilation. Installez le système de ventilation avant d'installer la hotte. Voir la section «Conditions d'évacuation».
2. Déterminez la hauteur requise pour le câble d'alimentation secteur et percez un trou de $\frac{1}{4}$ " (3.2 cm) à cet endroit.
3. Branchez le câble d'alimentation secteur conformément au code national de l'électricité ou aux normes CSA ainsi qu'aux codes et aux ordonnances locales. Il doit y avoir suffisamment de conduit et de fils de $\frac{1}{2}$ " provenant du boîtier de déconnexion à fusible (ou du disjoncteur) pour effectuer le raccordement dans le boîtier de raccordement électrique de la hotte.
4. Utilisez du mastic pour sceller toutes les ouvertures

ⓘ REMARQUE

Ne rebranchez pas l'alimentation avant la fin de l'installation.

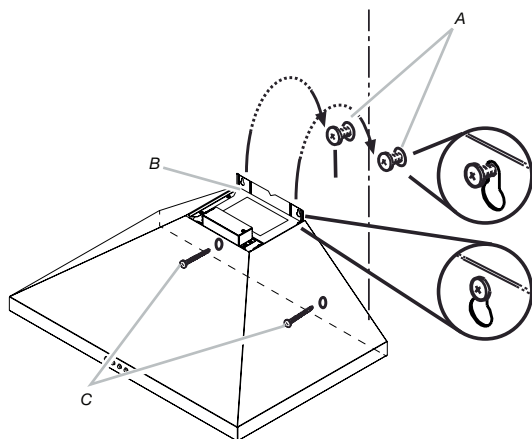
Installation

Installation sur le mur

⚠ AVERTISSEMENT

UTILISER DEUX OU PLUS DE PERSONNES POUR DÉPLACER ET INSTALLER LA HOTTE DE LA CUISINIÈRE.
LE NON-RESPECT DE CETTE INSTRUCTION PEUT CAUSER UNE BLESSURE AU DOS OU D'AUTRE BLESSURE.

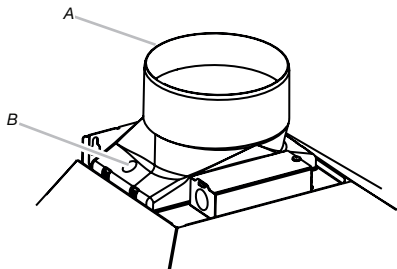
1. Marquez les emplacements des trous de montage inférieurs avec un crayon.
2. Désinstallez la hotte et percez des avant-trous de $\frac{3}{16}$ " (4.8 mm) aux emplacements marqués.
3. Suspendre à nouveau la hotte sur les 2 vis de fixation supérieures.
4. Mettez la hotte à niveau et serrez les vis de fixation supérieures.
5. Installez 2 - 5 vis de montage inférieures de 5 x 45 mm et serrez. Utilisez les ancrages muraux optionnels si nécessaire.



A. Vis de montage
B. Fentes de montage
C. Vis de fixation inférieures

Connecter le système de ventilation

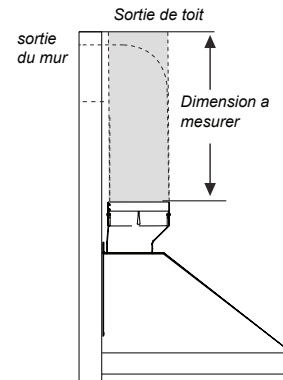
1. Installez la transition sur le dessus de la hotte (si elle est retirée pour l'expédition) à l'aide de vis à tête 2 - 3.5 x 9.5 mm.



A. Transition de ventilation
B. Vis 3.5 x 9.5 mm

Pour les installations ventilées seulement

1. Placez le système de ventilation sur la sortie d'échappement.
2. Mesurez depuis le bas du déflecteur d'air jusqu'au bas de la sortie de la hotte. Couper les conduits à la dimension mesurée.



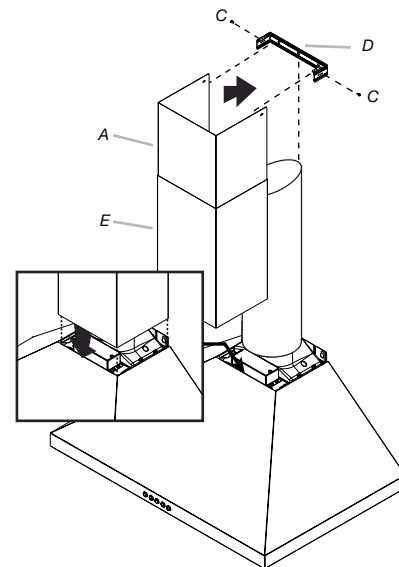
3. Sceller la connexion avec des pinces.
4. Vérifiez que les amortisseurs de tirage arrière fonctionnent correctement.

Installer les Couvre-conduits

Lorsque vous utilisez les capots de ventilation supérieur et inférieur, poussez le capot inférieur sur la hotte et soulevez le capot supérieur jusqu'au plafond, puis installez-le à l'aide de deux vis de montage.

REMARQUE

Pour les installations ventilées, le capot supérieur de ventilation peut être inversé pour masquer les fentes.

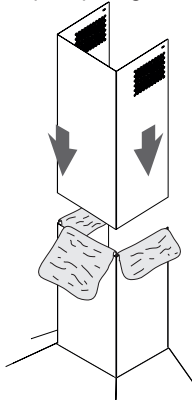


A. Couverture d'évent supérieur
B. Couverture d'évent inférieur
C. Vis de 2.9 x 6.5 mm
D. Support

Installation

REMARQUE

Pour éviter les égratignures, posez du papier ou un torchon sur les bords du conduit de fumée inférieur pour protéger la surface.



Achever l'installation

- Pour les installations sans décharge à l'extérieur (recyclage) uniquement, installer les filtres à charbon sur le filtre à graisse métallique. Voir la section "Accessoires".
- Installer les filtres métalliques. Voir la section "Entretien".

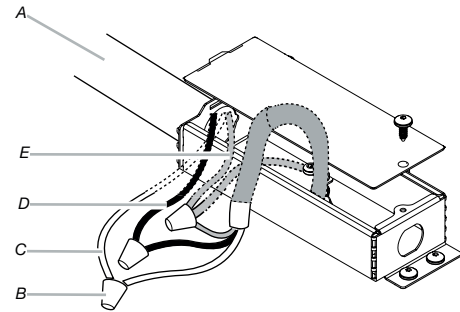
Connexion Électrique

⚠ AVERTISSEMENT
Risque de choc électrique.

⚠ AVERTISSEMENT
Déconnecter la source de courant électrique avant l'entretien. Replacer pièces et panneaux avant de faire la remise en marche. Le non-respect de ces instructions peut causer un décès ou un choc électrique.

⚠ AVERTISSEMENT
Mettre le ventilateur à la terre électriquement. Connectez le fil de terre au fil de terre vert et jaune dans la boîte à bornes. Ne pas le faire peut entraîner la mort ou un choc électrique.

1. Débranchez le courant.
2. Retirez le couvercle de la boîte à bornes.
3. Enlevez la découpe dans le couvercle de la boîte à bornes et installez un réducteur de tension répertorié UL ou approuvé par la CSA de 1/2".
4. Faites passer le câble d'alimentation secteur à travers le réducteur de tension, dans la boîte à bornes.



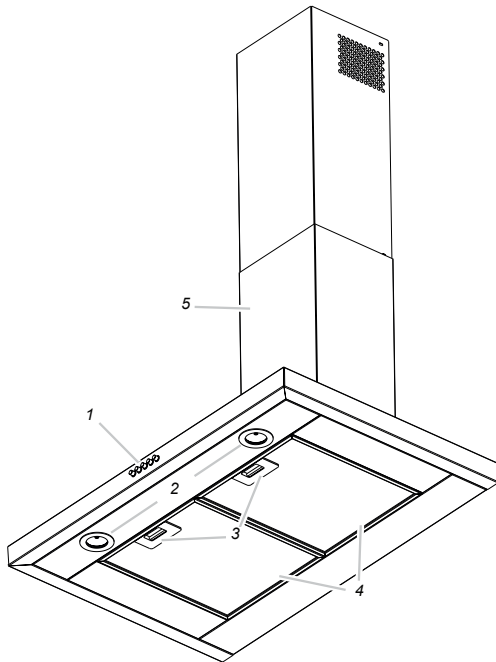
A. Câble d'alimentation domestique
B. Connecteurs de fils listés UL
C. Fils blancs (N)
D. Fils noirs (L)
E. Fils vert (ou nu) et sol jaune-vert

5. Utilisez des connecteurs de fils listés UL et connectez les fils noirs (D) ensemble.
6. Utilisez des connecteurs de fils listés UL et connectez les fils blancs (C) ensemble.
7. Raccordez le fil de terre vert (ou nu) de l'alimentation domestique au fil de terre jaune-vert (E) de la boîte à bornes à l'aide de connecteurs de câble listés UL.
8. Serrer la vis de décharge de traction.
9. Installez le couvercle de la boîte à bornes.
10. Rebranchez le courant.

Pour tirer le meilleur parti de votre nouvelle hotte, lisez la section «Entretien». Conservez votre guide d'utilisation, d'entretien et d'installation à proximité de la hotte de cuisine pour pouvoir vous y référer facilement.

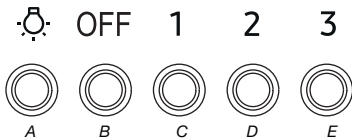
Utilisation de la Hotte

Description de la hotte



1. Commandes du ventilateur et de l'éclairage
2. Lampes à LED
3. Poignée du filtre à graisse
4. Filtres à graisse
5. Couvre-conduits

Commandes de la hotte



- A. Lumière On / Off
B. Bouton d'arrêt
C. Bouton bas
D. Bouton Med
E. Bouton haut

Faire fonctionner la lumière

Le bouton Light On / Off (A) permet de contrôler les deux lumières. Appuyez une fois pour On et encore pour Off.

Faire fonctionner le souffleur

Le bouton Blower OFF (B) éteint le ventilateur. Les boutons de vitesse du ventilateur (C, D, E) permettent de régler la vitesse souhaitée et de contrôler le niveau sonore pour un fonctionnement silencieux. La vitesse peut être modifiée à tout moment pendant le fonctionnement du ventilateur en appuyant sur le bouton de vitesse du ventilateur souhaité.

1. Pour allumer le ventilateur, appuyez sur un bouton de vitesse du ventilateur (C, D, E).
2. Pour éteindre le ventilateur, appuyez sur le bouton d'arrêt du

ventilateur (B). Entretien

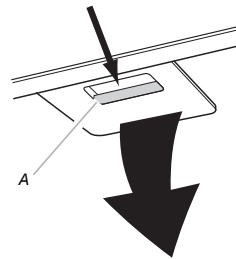
Entretien

Nettoyage

Ne vaporisez pas de nettoyant directement sur les commandes pendant le nettoyage de la hotte. La hotte doit être nettoyée régulièrement à l'intérieur (au moins aussi souvent que les filtres à graisse) et à l'extérieur. Nettoyer avec un chiffon imbibé de détergent liquide neutre. Ne pas utiliser de produits abrasifs. N'UTILISEZ PAS D'ALCOOL!

Filtre à graisse

Emprisonne les particules de graisse de cuisson. Celui-ci doit être nettoyé une fois par mois à l'aide de détergents non agressifs, à la main ou au lave-vaisselle, qui doivent être réglés sur une température basse et un cycle court. Lorsqu'il est lavé au lave-vaisselle, le filtre à graisse peut se décolorer légèrement, mais cela n'affecte pas sa capacité de filtrage. Pour retirer le filtre à graisse, tirez sur la poignée de relâchement du ressort.



A. Poignée de dégagement à ressort

REMARQUE

Si vous ne suivez pas ces recommandations de nettoyage de base pour la hotte et si vous ne nettoyez pas le filtre à graisse, vous risquez de provoquer un incendie.

Par conséquent, nous vous recommandons fortement de suivre ces instructions.

Samsung ne peut être tenu responsable des dommages causés au moteur ou à l'incendie, liés à un entretien inapproprié ou au non-respect de ces recommandations de nettoyage et de sécurité.

Remplacement d'une lampe à LED

Les voyants DEL ne peuvent être remplacés que par un technicien de service. Voir la garantie pour les informations de contact du service.

Utilisation de la Hotte

Accessoires

Pour installation non ventilée (recirculation) uniquement

REMARQUE

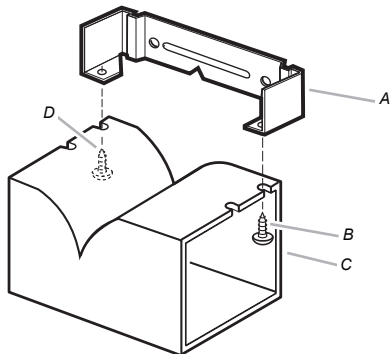
Pour réduire les risques d'incendie ou d'électrocution lorsque la hotte est utilisée en mode de recirculation, utilisez uniquement les modèles de kit de conversion répertoriés ci-dessous:

Kit de recirculation: NK-AF020FNB / AA

Filtre à charbon Kit de remplacement: NK-AR040FNB / AA

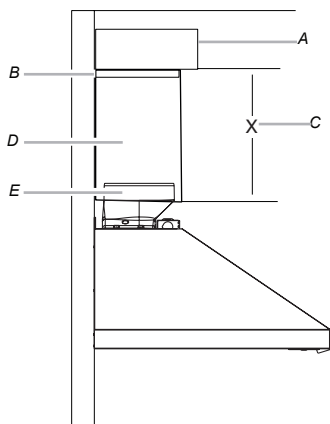
Pour attacher le kit de recirculation, procédez comme suit:

1. Assemblez le déflecteur d'air avec le support de cache - conduit avec les 2 vis de montage fournies avec le kit de recirculation.



A. Support de couvercle d'évent
B. vis de 2,9 x 6,5 mm
C. Déflecteur

2. Mesurez depuis le bas du déflecteur d'air jusqu'au bas de la sortie de la hotte.



A. Déflecteur d'air
B. Bride pour conduit
C. X = longueur à laquelle couper le conduit d'évacuation
D. Conduit d'évacuation
E. Sortie d'évacuation

3. Couper le conduit à la taille mesurée (X).
4. Retirez le déflecteur d'air.
5. Faites glisser le conduit au bas du déflecteur d'air.
6. Placez le déflecteur d'air assemblé et le conduit sur la sortie d'échappement de la hotte.
7. Réattachez le déflecteur d'air au support du couvercle du conduit avec 2 vis de montage.

8. Sceller les connexions avec des colliers de ventilation

Filtre à charbon

Le filtre à charbon n'est pas lavable. Il devrait durer jusqu'à 6 mois avec une utilisation normale. Remplacez par le kit de remplacement du filtre à charbon.

Pour remplacer le filtre à charbon:

1. Retirez le filtre à graisse en métal de la hotte. Voir "Filtre à graisse" dans cette section.
2. Pliez les pinces à ressort du filtre à graisse en métal.



3. Placez le filtre à charbon dans la partie supérieure du filtre en métal.
4. Insérez le filtre à graisse en métal dans la hotte.

Utilisation de la Hotte

Hotte de cuisinière pour conformité ADA

Les hottes de cuisine peuvent être installées conformément aux sections 308 et 309 des directives de l'ADA, lorsqu'elles sont utilisées avec des commandes montées de manière appropriée installées à une distance de 15 "(38,1 cm) à 40" (101,6 cm) du sol et l'accès aux commandes ne nécessite pas l'accès au dessus d'une cuisine appareil.

Les hottes de cuisinière suivantes NK30R5000WS, NK36R5000WS, NK30R5000WG, NK36R5000WG peuvent fonctionner dans une situation conforme à l'ADA lorsque la hotte est câblée pour fonctionner à partir d'un interrupteur mural électrique standard dédié. Pour faciliter cette application, partagez les informations des pages suivantes avec votre électricien lors de la préparation de l'installation.

REMARQUE

Tous les modèles ne peuvent être contrôlés que par un seul commutateur à distance (le commutateur active ou désactive le moteur et la lumière du capot).

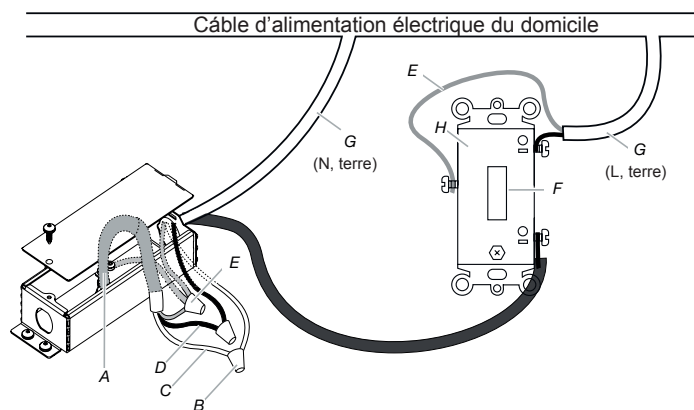
AVERTISSEMENT

Tous les travaux électriques doivent être effectués conformément aux codes locaux, aux ordonnances ou au code national de l'électricité, selon le cas. Pour des raisons de sécurité, ce produit doit être installé dans un boîtier de commande mis à la terre. L'installation du câblage électrique doit être effectuée par un technicien qualifié.

AVERTISSEMENT

Risque de choc électrique

Débranchez l'alimentation avant de procéder à l'entretien. Remplacez toutes les pièces et les panneaux avant de faire fonctionner. Ne pas le faire peut entraîner la mort ou un choc électrique.



A. Câble de hotte
B. Connecteur de fil répertorié UL
C. Fils blancs (N)
D. Fils noirs (L)
E. Vert (ou nu) et sol jaune-vert

F. Interrupteur listé UL
G. Câble d'alimentation domestique
H. Caisson de commutation simple et profond

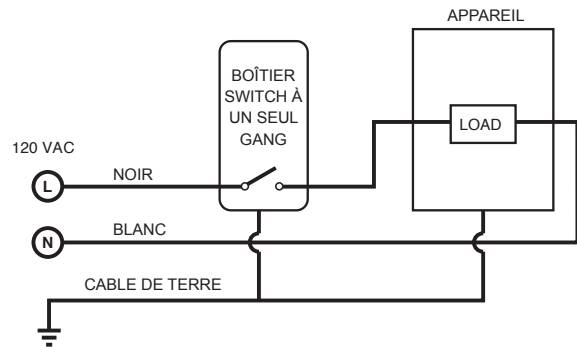
AVERTISSEMENT

Pour éviter un incendie ou un choc électrique, couper le courant au niveau du disjoncteur ou du fusible. Vérifiez que l'appareil est hors tension avant de procéder au câblage.

1. MONTER LA BOÎTE DE COMMUTATION. Installez une boîte de commutation d'un seul groupe de 3 1/2 "de profondeur
2. ATTACHEZ LE CÂBLE D'ALIMENTATION. Fixer le câblage au boîtier de commutation et à l'unité à l'aide d'une pince appropriée. Prévoir des câbles de 6 "à l'intérieur du boîtier et du ventilateur pour faciliter le câblage.

3. CONNECTER LE CÂBLAGE. Instructions générales:

- Assurez-vous que le boîtier de commande et l'appareil sont correctement mis à la terre.
- Assurez-vous que le fil de terre est solidement fixé à la vis de terre du contrôle. Serrer la vis de terre.
- Utilisez des tailles d'écrou de fil appropriées pour le nombre et la taille des fils.
- Pour les bornes à pression et à vis: Utilisez min. Fil de cuivre massif # 14 AWG uniquement.
- Serrer les bornes à vis.
- Effectuez les connexions électriques en suivant le schéma approprié.



4. MONTER LA COMMANDE DANS LA BOÎTE D'INTERRUPTEUR. Rentrez les fils dans le boîtier de commutation et fixez la commande au boîtier à l'aide des vis fournies.
5. ATTACHEZ LA PLAQUE DE COMMUTATION. Fixez la plaque d'interrupteur à la commande à l'aide des vis courtes du sac de pièces.

HOTTE SAMSUNG

Garantie limitée à l'acheteur d'origine

Ce produit de la marque SAMSUNG, qui est fourni et distribué par la société Samsung Electronics America, Inc. (SAMSUNG) et livré neuf, dans son carton d'origine à l'acheteur d'origine, est garanti par Samsung contre les défauts de fabrication à la fois dans les matériaux et de fabrication pour une période de garantie limitée de:

UN (1) AN PIECES ET MAIN D'ŒUVRE

Cette garantie limitée commence à la date d'achat originale, et est valable uniquement sur les produits achetés et utilisés aux Etats-Unis. Afin de bénéficier du service de garantie, l'acheteur doit contacter SAMSUNG pour la détermination du problème et connaître les procédures de service. Le service garantie ne peut être effectué que par un centre de service SAMSUNG agréé. Le projet de loi original date de vente doit être présenté sur demande comme preuve d'achat à SAMSUNG ou dans un centre de service SAMSUNG autorisé.

SAMSUNG réparera ou remplacera ce produit, à notre gré et sans frais comme stipulé ici, avec des pièces ou des produits neufs ou reconditionnés si ils sont jugés défectueux pendant la période de garantie limitée spécifiée ci-dessus. Toutes les pièces et les produits remplacés deviennent la propriété de SAMSUNG et doivent être retournés à SAMSUNG. Les pièces et produits de rechange reprennent la garantie d'origine ou quatre-vingt-dix (90) jours, la plus longue des deux étant la valable.

Le service à domicile sera assuré pendant la période de travail de garantie sous réserve de disponibilité dans les Etats-Unis. Le service à domicile n'est pas disponible dans tous les domaines. Pour recevoir le service à domicile, le produit doit être non bloqué et accessible au personnel. Si au cours de la réparation à domicile cela ne peut être possible, il peut être nécessaire d'enlever, réparer et de retourner (renvoyer) le produit.

Cette garantie limitée couvre les défauts de fabrication des matériaux et de fabrication rencontrés dans l'utilisation non commerciale normale de ce produit et ne sont pas applicables à celui-ci, y compris, mais pas limiter : aux dommages qui se produisent lors de l'expédition ; la livraison et l'installation ; les applications et utilisations pour lesquelles ce produit n'est pas prévu : modifie les produits ou numéros de série ; les dommages esthétiques ou finition extérieure ; accidents ; abus ; négligences ; le feu ; l'eau ; la foudre ; et d'autres actes qui émanent de la nature ; utilisation des produits, équipements, systèmes, services publics, services, pièces, fournitures, accessoires, applications, installations, réparations, câblage externe ou connecteurs non fournis ou autorisés par SAMSUNG qui endommagent ce produit ou peut entraîner des problèmes d'utilisation ; incorrecte tension de la ligne électrique, les fluctuations et les surtensions ; ajustement fait par les clients et le non-respect des instructions d'utilisation, le nettoyage, l'entretien, et les instructions de l'environnement qui sont couverts et prescrits dans le livre d'instruction ; les problèmes causés par les infestations de ravageurs, et la surchauffe par l'utilisateur.

IL N'Y A AUCUNE GARANTIE EXPRESSE AUTRE QUE CELLE FIGURANT CI-DESSUS ET AUCUNE GARANTIE EXPLICITE OU IMPLICITE, Y COMPRIS, MAIS PAS LIMITER, TOUTE GARANTIE IMPLICITE DE QUALITE MARCHANDE OU D'ADAPTATION A UN USAGE PARTICULIER, SONT APPLICABLES APRES LA PERIODE EXPRESSE DE GARANTIE DONNEE PAR TOUTE PERSONNE ENTREPRISE OU SOCIETE EN MATIERE DE CE PRODUIT EST OBLIGATOIRE SUR SAMSUNG. SAMSUNG NE SERA PAS RESPONSABLE POUR LA PERTE DE REVENUS OU DE PROFITS DEFAUT DE REALISER DES ECONOMIES OU AUTRES AVANTAGES OU TOUT AUTRE DOMMAGES SPECIAUX, DIRECTS OU INDIRECTS CAUSES PAR L'UTILISATION, MAUVAISE UTILISATION OU L'INCAPACITE D'UTILISER CE PRODUIT QUELLE QUE SOIT LA THEORIE JURIDIQUE SUR LAQUELLE LA RECLAMATION REPOSE, ET MEME SI SAMSUNG A ETE AVERTI DE LA POSSIBILITE DE TELS DOMMAGES. NI DE RECUPERATION DE QUELQUE NATURE QUE CONTRE SAMSUNG NE SERA SUPERIEUR AU MONTANT DU PRIX D'ACHAT DU PRODUIT VENDU PAR SAMSUNG ET CAUSER LE DOMMAGE ALLEGUE. SANS LIMITER CE QUI PRECEDE, L'ACHETEUR ASSUME TOUS LES RISQUES ET RESPONSABILITES POUR LES PERTES, DOMMAGES OU BLESSURES POUR L'ACHETEUR ET LES BIENS DE L'ACHETEUR ET AUX AUTRES ET DE LEURS BIENS PROVENANT DE L'UTILISATION MAUVAISE UTILISATION OU L'INCAPACITE D'UTILISER CE PRODUIT VENDU PAR SAMSUNG QUI NE SOIT PAS DIRECTEMENT CAUSES PAR LA NEGLIGENCE DE SAMSUNG. CETTE GARANTIE LIMITEE NE S'ETEND A PERSONNE D'AUTRE QUE L'ACHETEUR D'ORIGINE DE CE PRODUIT ET EST NON TRANSFERABLE ET EST VOTRE RECOURS EXCLUSIF.

Certaines provinces ou territoires peuvent ou peuvent ne pas permettre de limiter la durée d'une garantie implicite ou l'exclusion ou la limitation des dommages indirects ou consécutifs, les limitations ou exclusions ci-dessus peuvent ne pas vous concerner. Cette garantie vous donne des droits spécifiques légaux, et vous pouvez avoir d'autres droits qui varient d'un Etat à l'autre.

Pour obtenir un service de garantie, s'il vous plaît contactez SAMSUNG à:

**1-800-SAMSUNG (726-7864) ou
www.samsung.com/us/support**

HOTTE SAMSUNG

Garantie limitée à l'acheteur d'origine

Ce produit de la marque SAMSUNG, qui est fourni et distribué par la société Samsung Electronics Canada, Inc. (SAMSUNG) et livré neuf, dans son carton d'origine à l'acheteur d'origine, est garanti par Samsung contre les défauts de fabrication à la fois dans les matériaux et de fabrication pour une période de garantie limitée de:

UN (1) AN PIÈCES ET MAIN D'ŒUVRE

Cette garantie limitée commence à la date d'achat originale, et est valable uniquement sur les produits achetés et utilisés aux Canada. Afin de bénéficier du service de garantie, l'acheteur doit contacter SAMSUNG pour la détermination du problème et connaître les procédures de service. Le service garantie ne peut être effectué que par un centre de service SAMSUNG agréé. Le projet de loi original date de vente doit être présenté sur demande comme preuve d'achat à SAMSUNG ou dans un centre de service SAMSUNG autorisé.

SAMSUNG réparera ou remplacera ce produit, à notre gré et sans frais comme stipulé ici, avec des pièces ou des produits neufs ou reconditionnés si ils sont jugés défectueux pendant la période de garantie limitée spécifiée ci-dessus. Toutes les pièces et les produits remplacés deviennent la propriété de SAMSUNG et doivent être retournés à SAMSUNG. Les pièces et produits de rechange reprennent la garantie d'origine ou quatre-vingt-dix (90) jours, la plus longue des deux étant la valable.

Le service à domicile sera assuré pendant la période de travail de garantie sous réserve de disponibilité dans Canada. Le service à domicile n'est pas disponible dans tous les domaines. Pour recevoir le service à domicile, le produit doit être non bloqué et accessible au personnel. Si au cours de la réparation à domicile cela ne peut être possible, il peut être nécessaire d'enlever, réparer et de retourner (renvoyer) le produit.

Cette garantie limitée couvre les défauts de fabrication des matériaux et de fabrication rencontrés dans l'utilisation non commerciale normale de ce produit et ne sont pas applicables à celui-ci, y compris, mais pas limiter : aux dommages qui se produisent lors de l'expédition ; la livraison et l'installation ; les applications et utilisations pour lesquelles ce produit n'est pas prévu : modifie les produits ou numéros de série ; les dommages esthétiques ou finition extérieure ; accidents ; abus ; négligences ; le feu ; l'eau ; la foudre ; et d'autres actes qui émanent de la nature ; utilisation des produits, équipements, systèmes, services publics, services, pièces, fournitures, accessoires, applications, installations, réparations, câblage externe ou connecteurs non fournis ou autorisés par SAMSUNG qui endommagent ce produit ou peut entraîner des problèmes d'utilisation ; incorrecte tension de la ligne électrique, les fluctuations et les surtensions ; ajustement fait par les clients et le non-respect des instructions d'utilisation, le nettoyage, l'entretien, et les instructions de l'environnement qui sont couverts et prescrits dans le livre d'instruction ; les problèmes causés par les infestations de rava-

geurs, et la surchauffe par l'utilisateur. SAMSUNG ne garantit pas l'utilisation ininterrompue ou l'opération erronée du produit.

IL N'Y A AUCUNE GARANTIE EXPRESSE AUTRE QUE CELLE FIGURANT CI-DESSUS ET AUCUNE GARANTIE EXPLICITE OU IMPLICITE, Y COMPRIS, MAIS PAS LIMITER, TOUTE GARANTIE IMPLICITE DE QUALITE MARCHANDE OU D'ADAPTATION A UN USAGE PARTICULIER, SONT APPLICABLES APRES LA PERIODE EXPRESSE DE GARANTIE DONNEE PAR TOUTE PERSONNE ENTREPRISE OU SOCIETE EN MATIERE DE CE PRODUIT EST OBLIGATOIRE SUR SAMSUNG. SAMSUNG NE SERA PAS RESPONSABLE POUR LA PERTE DE REVENUS OU DE PROFITS DEFAUT DE REALISER DES ECONOMIES OU AUTRES AVANTAGES OU TOUT AUTRE DOMMAGES SPECIAUX, DIRECTS OU INDIRECTS CAUSES PAR L'UTILISATION, MAUVAISE UTILISATION OU L'INCAPACITE D'UTILISER CE PRODUIT QUELLE QUE SOIT LA THEORIE JURIDIQUE SUR LAQUELLE LA RECLAMATION REPOSE, ET MEME SI SAMSUNG A ETE AVERTI DE LA POSSIBILITE DE TELS DOMMAGES. NI DE RECUPERATION DE QUELQUE NATURE QUE CONTRE SAMSUNG NE SERA SUPERIEUR AU MONTANT DU PRIX D'ACHAT DU PRODUIT VENDU PAR SAMSUNG ET CAUSER LE DOMMAGE ALLEGUE. SANS LIMITER CE QUI PRECEDE, L'ACHETEUR ASSUME TOUS LES RISQUES ET RESPONSABILITES POUR LES PERTES, DOMMAGES OU BLESSURES POUR L'ACHETEUR ET LES BIENS DE L'ACHETEUR ET AUX AUTRES ET DE LEURS BIENS PROVENANT DE L'UTILISATION MAUVAISE UTILISATION OU L'INCAPACITE D'UTILISER CE PRODUIT VENDU PAR SAMSUNG QUI NE SOIT PAS DIRECTEMENT CAUSES PAR LA NEGLIGENCE DE SAMSUNG. CETTE GARANTIE LIMITEE NE S'ETEND A PERSONNE D'AUTRE QUE L'ACHETEUR D'ORIGINE DE CE PRODUIT ET EST NON TRANSFERABLE ET EST VOTRE RECOURS EXCLUSIF.

Certaines provinces ou territoires peuvent ou peuvent ne pas permettre de limiter la durée d'une garantie implicite ou l'exclusion ou la limitation des dommages indirects ou consécutifs, les limitations ou exclusions ci-dessus peuvent ne pas vous concerner. Cette garantie vous donne des droits spécifiques légaux, et vous pouvez avoir d'autres droits qui varient d'un Etat à l'autre.

Pour obtenir un service de garantie, s'il vous plaît contactez SAMSUNG à:

1-800-SAMSUNG (726-7864) ou
www.samsung.com/us/support (Anglais),
www.samsung.com/ca_fr/support (Français)

Índice

Instrucciones Importantes de Seguridad	27
Requisitos de Instalación	30
<hr/>	
Requisitos Eléctricos	30
Antes de su instalación	30
Métodos de Ventilación	30
Herramientas y Piezas	31
Dimensiones del producto	31
Instalación de la campana	32
<hr/>	
Instrucciones de instalación	32
Montaje de soporte para ductos	32
Instalación en pared	33
Instalación de cubre ductos	33
Conexión eléctrica	34
Uso de la Campana	35
<hr/>	
Descripción de la campana	35
Control	35
Mantenimiento	35
Accesorios	36
Campana extractora, cumplimiento con ADA	37
<hr/>	
Garantía (USA)	38
Garantía (Canadá)	39

Instrucciones Importantes de Seguridad

APROBADO PARA APARATOS DE USO DOMÉSTICO
SÓLO PARA USO DOMÉSTICO
LEA Y GUARDE ESTAS INSTRUCCIONES

ANTES DE CONTINUAR, LEA LAS INSTRUCCIONES POR COMPLETO.
LA INSTALACIÓN DEBE CUMPLIR CON TODA LA NORMATIVA LOCAL.

- IMPORTANTE:** Guarde estas instrucciones para su uso por parte del inspector de electricidad local.
- INSTALADOR:** Entregue al propietario estas instrucciones con la unidad.
- PROPIETARIO:** Conserve estas instrucciones para futuras consultas.

Símbolos utilizados en este manual

ADVERTENCIA

Riesgos o prácticas inseguras que pueden resultar en serios daños personales o la muerte.

PRECAUCIÓN

Riesgos o prácticas inseguras que pueden resultar en choques eléctricos, daños personales o daño a la propiedad.

NOTA

Tips e instrucciones útiles.

Estos iconos de advertencia y símbolos están aquí para prevenir de daños a usted y los suyos. Favor de seguir las instrucciones al pie de la letra. Después de leer esta sección, guarde este documento en un lugar seguro para futuras referencias.

ADVERTENCIA

Desconecte el aparato de la corriente y bloquee el panel antes de llevar a cabo la conexión de este aparato.

Requisito: Circuito Auxiliar de R120 VAC, 60 Hz. 15 ó 20 A

Proposición 65 del estado de California (sólo US)

ADVERTENCIA

Este producto contiene químicos conocidos en el estado de California que causan cáncer y defectos de nacimiento u otros daños reproductivos.

ADVERTENCIA

PARA REDUCIR EL RIESGO DE INCENDIOS, CHOQUE ELÉCTRICO O LESIONES A PERSONAS, OBSERVE LO SIGUIENTE:

- Use esta unidad sólo de la manera para la que fue diseñada por el fabricante. Si tiene preguntas, póngase en contacto con el fabricante.
- Antes de dar servicio o limpiar la unidad, apague el suministro de energía en el panel de servicio y bloquee los medios de desconexión del servicio para evitar que se encienda accidentalmente el suministro de energía. Cuando el medio de desconexión del servicio no se pueda bloquear, sujete de manera segura un dispositivo de advertencia prominente, como podría ser una etiqueta, al panel de servicio.
- La instalación y el cableado se debe llevar a cabo por una persona(s) calificada(s), de acuerdo con los códigos y estándares aplicables, incluida la construcción ignífuga.
- Es necesaria una ventilación suficiente para la correcta combustión y expulsión de gases por la salida de humos (chimenea) del equipo de combustión de carburante para evitar el contratiro. Siga las directrices de equipos de calefacción y los estándares de seguridad como los publicados por la National Fire Protection Association (NFPA), American Society for Heating, Refrigeration and Air Conditioning Engineers (ASHRAE) y las normativas locales.

- Al efectuar orificios en una pared o techo, no dañe el cableado eléctrico y otras instalaciones ocultas.
- Los conductos deben tener ventilación con salida al exterior.

PRECAUCIÓN

Para usarse sólo en ventilación común. No lo use para ventilar materiales y vapores peligrosos o explosivos.

PRECAUCIÓN

Para reducir el riesgo de incendio y para ventilar el aire adecuadamente, asegúrese de dirigir el conducto de ventilación hacia el exterior - no ventile el aire de salida a espacios dentro de paredes o techos, áticos, espacios angostos o garajes.

ADVERTENCIA

PARA REDUCIR EL RIESGO DE INCENDIO, SÓLO USE CONDUCTOS METÁLICOS.

ADVERTENCIA

PARA REDUCIR EL RIESGO DE INCENDIO PROVOCADO POR GRASA EN LA SUPERFICIE DE LA ESTUFA:

- Nunca deje las unidades de superficie sin vigilancia cuando estén en ajustes altos. La cocción puede causar humo o reboses de grasa que pueden prender fuego. Caliente el aceite a fuego lento o medio.
- Siempre ENCIENDA la campana cuando cocine con calor alto o cuando flamee alimentos (por ejemplo, crepes Suzette, cerezas Jubileo y flameado de carne de res con pimienta).
- Limpie los ventiladores con frecuencia. No permita que la grasa se acumule en el ventilador o en el filtro.
- Use un tamaño de sartén adecuado. Siempre use utensilios de cocción que sean los adecuados para el tamaño del elemento de la superficie.

Instrucciones Importantes de Seguridad

▲ ADVERTENCIA

PARA REDUCIR EL RIESGO DE LESIONES A PERSONAS SI SE PRENDE FUEGO EN LA SUPERFICIE DE LA ESTUFA OCASIONADO POR GRASA, OBSERVE LO SIGUIENTE:^a

- **EXTINGA LAS LLAMAS** con una tapa que encaje bien, una bandeja para galletas o una bandeja metálica y luego apague el quemador. **TENGA CUIDADO PARA EVITAR QUEMADURAS.** Si las llamas no se extinguen de inmediato, **EVACUE Y LLAME AL DEPARTAMENTO DE BOMBEROS.**
- **NUNCA TOME UNA CACEROLA QUE ESTÉ ARDIENDO** - podría quemarse.
- **NO UTILICE AGUA**, incluyendo paños para vajilla o toallas mojadas - podría ocurrir una explosión de vapor violenta.
- **SÓLO use un extinguidor si:**
 - Sabe a ciencia cierta que tiene un extinguidor de clase ABC y ya sabe cómo utilizarlo.
 - El incendio es pequeño y se encuentra contenido en el lugar en donde se inició.
 - Ha llamado al departamento de bomberos.
 - Puede apagar el fuego con su espalda mirando hacia una salida.

^aBasado en "Consejos de seguridad para fuegos se cocina" publicado por NFPA.

▲ ADVERTENCIA

Para reducir el riesgo de incendio o descarga eléctrica, no use este ventilador con ningún dispositivo de control de velocidad de estado sólido.

▲ ADVERTENCIA

No deje a los niños cerca de este electrodoméstico. No deje a los niños jugar con este electrodoméstico. Mantenga todos los materiales de empaque fuera del alcance de los niños. Disponga apropiadamente de los materiales de empaque después de que haya desempacado este electrodoméstico.

Lea y guarde estas Instrucciones

Requisitos de Instalación

Requisitos Eléctricos

IMPORTANTE

Observe todos los códigos y reglamentos aplicables.

Es la responsabilidad del propietario:

Contactar un instalador eléctrico calificado.

Asegurarse de que la instalación eléctrica es adecuada y en conformidad con National Electrical Code, ANSI/NFPA 70 — última edición* o CSA Standards C22.1-94, Canadian Electrical Code, Parte 1 y C22.2 No.0-M91 — última edición** y toda la normativa y las ordenanzas locales.

Si la normativa lo permite y se utiliza un cable de toma a tierra independiente, se recomienda que un electricista calificado determine si la difracción de onda de tierra es la adecuada.

Una copia de las normas que se mencionaron anteriormente, se pueden obtener de:

National Fire Protection Association
1 Batterymarch Park
Quincy, MA 02169-7471
CSA International
8501 East Pleasant Valley Road
Cleveland, OH 44131-5575

- Se necesita un circuito eléctrico de 120 voltios, 60 hertzios, CA solamente, de 15 amperios y protegido con fusibles.
 - Si la casa tiene cableado de aluminio, siga el procedimiento a continuación:
1. Conecte una sección de alambre de cobre sólido a los conductores flexibles.
 2. Conecte el cableado de aluminio a la sección añadida de alambre de cobre usando conectores especiales y/o herramientas diseñadas y de la lista de UL para unir el cobre al aluminio.
- Siga el procedimiento recomendado por el fabricante del conector eléctrico. La conexión de cobre/aluminio deberá hacerse en conformidad con los códigos locales y las prácticas de cableado aceptadas por la industria.
 - Los tamaños de los cables y las conexiones deben cumplir de acuerdo con la clasificación del electrodoméstico, como se especifica en la placa de clasificación del modelo/de la serie. La placa del modelo/de la serie está ubicada detrás del filtro, en la pared posterior de la campana para cocina.
 - El tamaño de los cables debe cumplir con los requisitos del National Electrical Code (Código Nacional Eléctrico), ANSI/ NFPA 70 (última edición) o las normas de CSA C22. 1-94 Canadian Electrical Code (Código Canadiense de Electricidad), Parte 1 y C22.2 N° 0-M91 (última edición), y todos los códigos y ordenanzas locales.

Antes de su instalación

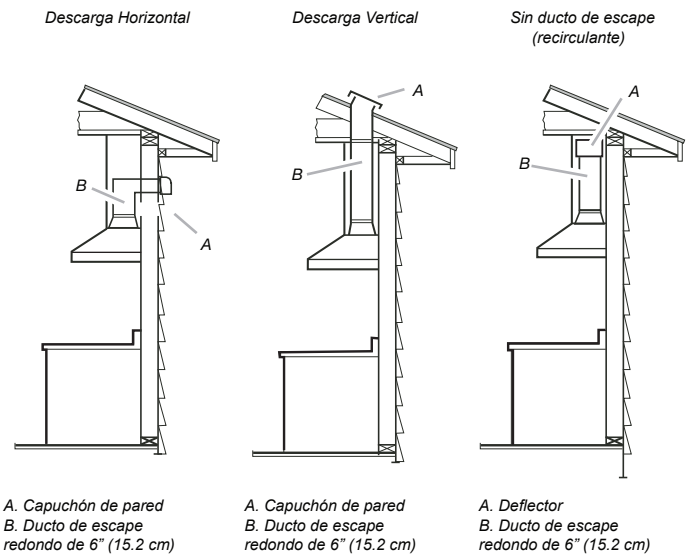
- El sistema de ventilación debe terminar en el exterior.
 - Para el escape de aire más eficiente, use una carrera recta o la menor cantidad de codos posible.
- PRECAUCIÓN:** Ventilar al exterior del edificio.
- Al menos dos personas son necesarias para la instalación.
 - Se proporciona material de accesorios para asegurar la cubierta a la mayoría de los tipos de paredes y techos. Consulte a un instalador calificado. Confirme que los accesorios se ajusten perfectamente a su gabinete / pared.
 - No utilice conductos flexibles.
 - Las instalaciones para CLIMA FRÍO deben tener un amortiguador de retroceso adicional instalado para minimizar el flujo de aire frío hacia atrás y una ruptura térmica no metálica para minimizar la conducción de temperaturas exteriores como parte de los conductos. El amortiguador debe estar en el lado de aire frío de la rotura térmica. La rotura debe estar lo más cerca posible de donde los conductos entran en la parte caliente de la casa

Métodos de Ventilación

Siga de cerca las instrucciones establecidas en este manual. Samsung no se responsabiliza por eventuales inconvenientes, daños o incendios causados por el incumplimiento de las instrucciones de este manual.

Versión aspirante

La campana está equipada con una transición redonda de 6 "(15.2 cm) para la descarga de humos al exterior.



Preparación

No corte una viga o leño a menos que sea absolutamente necesario. Si se debe cortar una viga o leño, entonces se debe construir un marco que sirva como soporte.

Se proporcionan los materiales necesarios para asegurar la campana en la mayoría de los tipos de techo y pared. Sin embargo, un técnico calificado debe verificar los materiales de acuerdo con el tipo de pared o techo. Antes de hacer recortes, asegúrese de que haya un espacio adecuado dentro del techo o la pared para la ventilación de escape.

Versión sin ductos (recirculante)

En los casos en que no sea posible descargar vapores al exterior, coloque un filtro de carbón y el deflector en el soporte de la cubierta del ducto. Los humos y vapores se reciclan a través de la rejilla superior por medio de un conducto conectado a la transición y la transición se monta en el deflector.

NOTA

Solo para descarga horizontal: compre el kit de recirculación sin ductos. Tamaño mínimo del ducto: Tubo redondo de 6".

PRECAUCIÓN

- Para instalaciones de estufas y cocinas eléctricas / de inducción: monte la campana de modo que la parte inferior esté al menos a 24" (61 cm) por encima de la superficie de cocción.
- Para instalaciones de estufas y cocinas a gas: monte la campana de modo que la parte inferior esté al menos a 27" (68.6 cm) por encima de la superficie de cocción.
- Para ambos, no monte más de 36" (91.4 cm) sobre la superficie de cocción.
- Mida la altura de montaje desde la superficie del rango hasta la parte inferior de la campana.

ADVERTENCIA

Esta campana es para uso doméstico.

POR FAVOR LEA EL MANUAL DE INSTALACIÓN PARA LA APLICACIÓN ESPECÍFICA DE LA CAMPANA. Revise la altura de su techo y la altura máxima de la campana antes de seleccionarla.

Requisitos de Instalación

Herramientas y Piezas

Retirar las piezas del empaque

⚠ PRECAUCIÓN


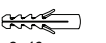





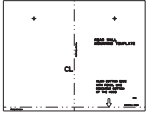
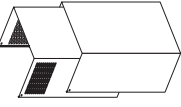
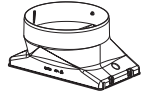
Quite la caja cuidadosamente. Use guantes para protegerse de los bordes afilados.

⚠ ADVERTENCIA

Quite la película de protección que cubre el producto antes de ponerlo en funcionamiento.

Piezas suministradas

- Ensamblaje del escudete para campana con ventilador y lámparas LED previamente instalados
- Bolsa plástica con el siguiente contenido:

Parte	Cantidad	Parte	Cantidad
 5x45 mm	6	 8x40 mm	2
 5.4x75 mm	4	 10x60 mm	4
 3.5x9.5 mm	2	 Soporte para ductos	1
 2.9x6.5 mm	2	 Plantilla de instalación	1
 Cubre Ductos	2	 Transición redonda 6"	1

Herramientas/Materiales requeridos

- Nivel
- Taladro con brocas de 1¼" (3.2 cm), ⅜" (3.2 mm), y ⅛"
- (4,8 mm)
- Lápiz
- Pelacables o cuchillo de uso general
- Cinta de medir o regla
- Pinzas
- Pistola para galafateo y masilla para calafateo a prueba de agua
- Abrazaderas para ducto de ventilación
- Sierra de vaivén o sierra caladora
- Destornillador de hoja plana
- Tijeras de hojalatero
- Destornillador Phillips y Torx 20

Piezas necesarias

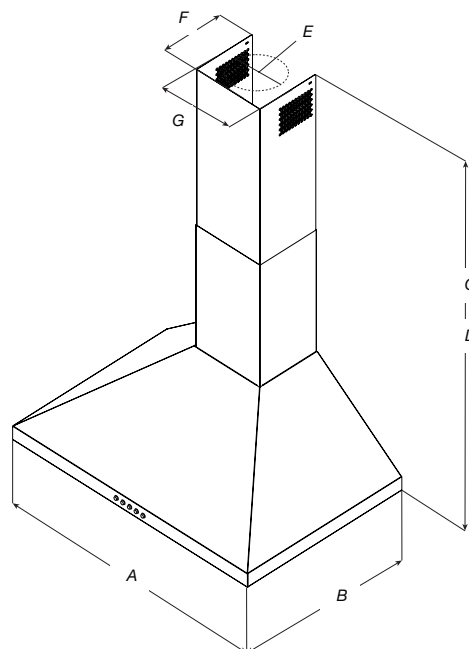
- Cable de suministro eléctrico doméstico
- Pasacables de ½" (12.7 mm) que esté en la lista de UL o aprobado por CSA
- 3 conectores para cables que estén en la lista de UL
- 1 cubierta para pared o techo
- Sistema de ventilación metálico

Accesorios opcionales y partes consumibles

MODELO	NK30R5000WS NK36R5000WS	NK30R5000WG NK36R5000WG
Kit de Extensión	NK-AE505PWS/AA	NK-AE505PWG/AA
Kit Recirculante	NK-AF020FNB/AA	
Filtros de carbón	NK-AR040FNB/AA	

*Ordene el kit deseado especificando el modelo de su campana.

Dimensiones del producto



	NK30R5000WS NK36R5000WS	NK30R5000WG NK36R5000WG
A	30" (76.2 cm)	36" (91.2 cm)
B	19 11/16" (50 cm)	
C*	Max: 42 1/8" (107 cm) Min: 28 9/16" (72 cm)	
D**	Max: 38 3/16" (97 cm) Min: 28 9/16" (72 cm)	
E	6" (15.24 cm)	
F	7 3/16" (18.3 cm)	
G	8 3/16" (20.8 cm)	

* Versión recirculante

** Versión aspirante

Instalación

Instrucciones de Instalación

Recomendamos que un técnico calificado instale la campana extractora. Es responsabilidad del instalador asegurarse de que la cubierta de la cocina cumpla con los espacios de instalación especificados para el producto.

- Se recomienda que el sistema de ventilación sea instalado antes de que se instale la campana para cocina.
- Antes de hacer recortes, asegúrese de que haya una distancia adecuada dentro del techo o la pared para la ventilación del escape.
- Verifique que todas las piezas de instalación se hayan eliminado de la caja de empaque.

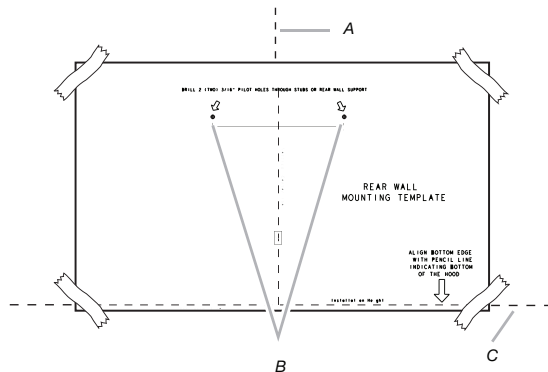
⚠ ADVERTENCIA

Para reducir el riesgo de incendio, descarga eléctrica o lesiones personales, observe lo siguiente.

- Desconecta la alimentación.
- Determine qué método de ventilación utilizar: techo, pared o sin ventilación.
- Seleccione una superficie plana para montar la campana. Coloque una cubierta sobre esa superficie.
- Siempre tenga 2 o más personas para levantar o mover la campana extractora.

Montaje del soporte para ductos

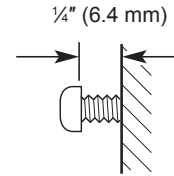
1. Determine y marque la línea central en la pared donde se instalará la campana. Desconecta la alimentación.
2. Seleccione una altura de montaje de no menos de 24" (61 cm) para una superficie de cocción eléctrica o 27" (68.6 cm) para una superficie de cocción a gas.
3. Pegue la plantilla en su lugar, alineando la línea central de la plantilla y la parte inferior con la línea inferior de la campana y con la línea central marcada en la pared.



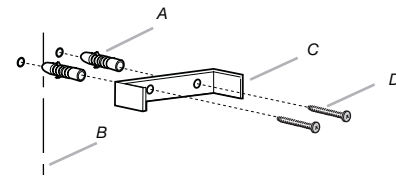
A. Línea central
B. Ubicación de sujetadores
C. Referencia de altura de montaje (línea inferior de la campana)

4. Marque los centros de las ubicaciones para los sujetadores en la pared, empujando un lápiz a través de la plantilla.
IMPORTANTE: Todos los tornillos deben instalarse en los leños o sobre el marco de instalación. Si no hay madera para atornillar, es posible que se requieran soportes de instalación adicionales.
5. Retirar la plantilla.

6. Perfore orificios guía de $\frac{3}{16}$ " (4.8 mm) en todos los lugares donde se instalarán tornillos en la madera.
7. Instale los tornillos de montaje 2 - 5 x 45 mm. Deje un espacio de $\frac{1}{4}$ " (6.4 mm) entre la pared y la parte posterior de la cabeza del tornillo para deslizar la campana en su lugar.



8. Instale el soporte de cobre ductos a la parte superior del techo usando 2 tornillos de 5 x 45 mm.



A. Taquetes de 8 x 40 mm
B. Línea de centro
C. Soporte para ductos
D. Tornillos de 5 x 45 mm

Complete la preparación

1. Determine y haga todos los cortes necesarios en la pared para el sistema de ventilación. Instale el sistema de ventilación antes de instalar la campana. Consulte la sección "Requisitos de ventilación".
2. Determine la altura requerida para el cable de alimentación eléctrica del hogar y perfore un orificio de $1\frac{1}{4}$ " (3.2 cm) en esta ubicación.
3. Instale el cable de alimentación de la casa de acuerdo con el Código Eléctrico Nacional o los Estándares CSA y los códigos y ordenanzas locales. Debe haber suficientes conductos y cables de $\frac{1}{2}$ " desde la caja de desconexión con fusible (o disyuntor) para realizar la conexión en la caja de terminales eléctrica de la campana.
4. Use masilla para sellar todas las aberturas

📖 NOTA

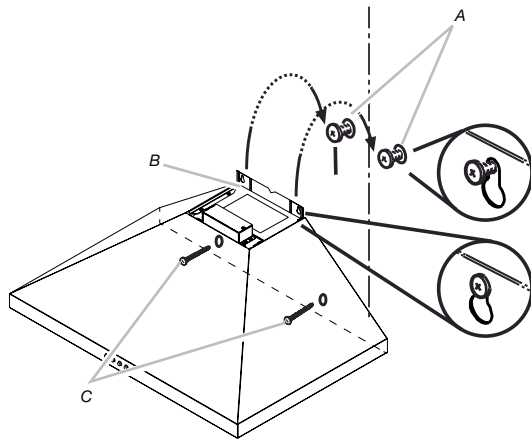
No vuelva a conectar la alimentación hasta que se complete la instalación.

Instalación

Instalación en pared

⚠ ADVERTENCIA
SE NECESITAN DOS O MÁS PERSONAS PARA MOVER E INSTALAR LA CAMPANA DE COCINA. NO SEGUIR ESTA INSTRUCCIÓN PUEDE OCASIONAR UNA LESIÓN EN LA ESPALDA U OTRO TIPO DE LESIONES.

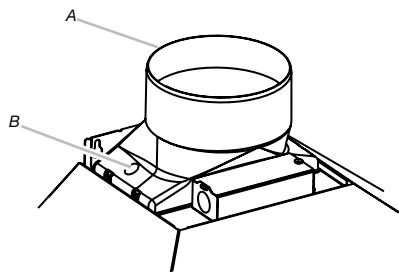
1. Marque las ubicaciones de los orificios de montaje inferiores con un lápiz.
2. Taladre orificios guía de $\frac{3}{16}$ " (4.8 mm) en los lugares marcados.
3. Cuelgue la campana extractora nuevamente en los 2 tornillos de montaje superiores.
4. Nivele la campana extractora y apriete los tornillos de montaje superiores.
5. Instale dos tornillos de montaje inferiores de 5 x 45 mm y apriete. Use los anclajes de pared opcionales si es necesario.



A. Tornillos de montaje
B. Ranuras de montaje
C. Tornillos de montaje inferiores

Conecte el sistema de ventilación

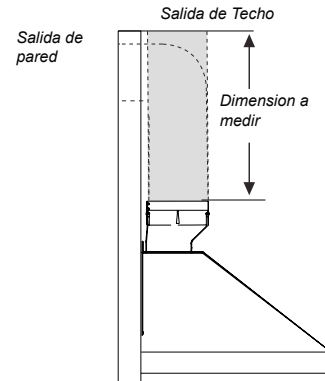
1. Instale la transición en la parte superior de la campana (si se retiró para el envío) con tornillos para láminas de metal de 2 - 3.5 x 9.5 mm.



A. Transición de ventilación
B. Tornillo de 3.5 x 9.5 mm.

Solo para instalaciones ventiladas

1. Coloque el sistema de ventilación sobre la salida de escape.
2. Mida desde la parte inferior del deflector de aire hasta la parte inferior de la salida de la campana. Cortar el conducto en la dimensión medida.



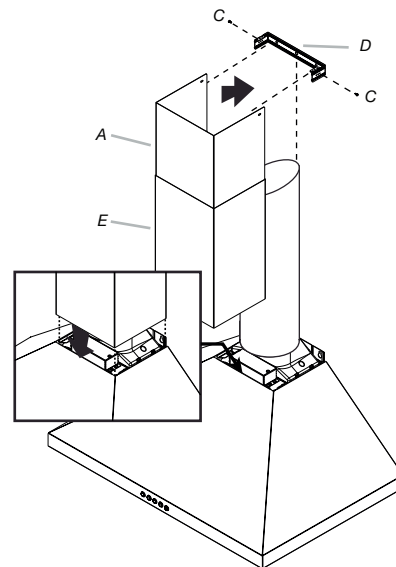
3. Selle la conexión con abrazaderas.
4. Confirme que los amortiguadores traseros funcionen correctamente.

Instalación de cubre ductos

Cuando utilice las cubiertas de ventilación superior e inferior, presione la cubierta inferior hacia abajo, levante la cubierta superior hasta el techo y luego instale con dos tornillos de montaje.

📄 NOTA

Para instalaciones con ventilación, la cubierta de ventilación superior puede invertirse para ocultar las ranuras

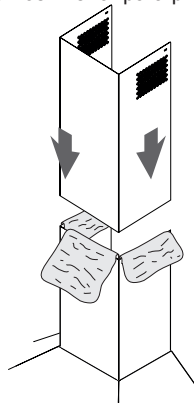


A. Cubierta de ventilación superior
B. Cubierta de ventilación inferior
C. Tornillos de 2.9 x 6.5 mm.
D. soporte

Instalación

NOTA

Para evitar rayones, coloque papel o una toalla de cocina sobre los bordes del conducto de humos inferior para proteger la superficie.



Instalación completa

1. Solo para instalaciones sin ventilación (recirculación), instale filtros de carbón sobre filtro de grasa metálico. Vea la sección de "Accesorios".
2. Vuelva a colocar los filtros de grasa. Vea la sección de "Mantenimiento".

Conexión Eléctrica

⚠ ADVERTENCIA

Peligro de descarga eléctrica.

⚠ ADVERTENCIA

Desconecte la alimentación antes de realizar la conexión.

Reemplace todos los paneles antes de operar.

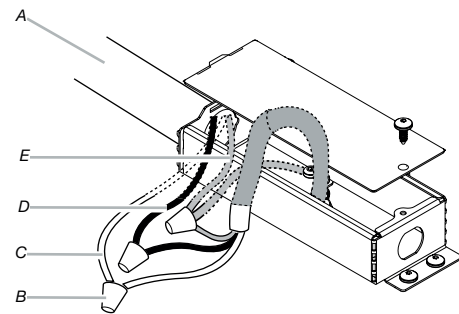
De lo contrario, puede provocar la muerte o una descarga eléctrica.

⚠ ADVERTENCIA

Ponga a tierra el soplador eléctricamente.

Conecte el cable de tierra al cable de tierra verde y amarillo en la caja de terminales. De lo contrario, puede provocar la muerte o una descarga eléctrica.

1. Desconecte la alimentación.
2. Retire la tapa de la caja de terminales.
3. Retire el orificio de precorte en la cubierta de la caja de terminales e instale un pasacables de $\frac{1}{2}$ " aprobado por la UL o aprobado por la CSA.
4. Pase el cable de alimentación eléctrica del hogar a través del pasacables hacia la caja de terminales.



A. Home power supply cable
B. UL listed wire connectors
C. White wires (N)

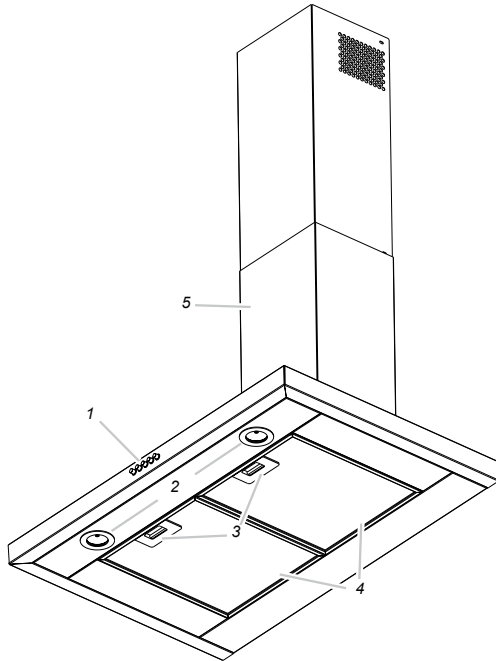
D. Black wires (L)
E. Green (or bare) and
yellow-green ground

5. Use los conectores de cables listados por UL y conecte los cables negros (D) juntos.
6. Use los conectores de cables listados por UL y conecte los cables blancos (C) juntos.
7. Conecte el cable de tierra verde (o pelado) de la fuente de alimentación doméstica al cable de tierra amarillo-verde (E) en la caja de terminales utilizando conectores de cable listados por UL.
8. Apretar el tornillo del pasacables.
9. Instale la tapa de la caja de terminales.
10. Reconecte la corriente.

Para obtener el uso más eficiente de su nueva campana extractora, lea la sección "Mantenimiento". Mantenga su guía de uso, cuidado e instalación cerca de la campana para facilitar la referencia.

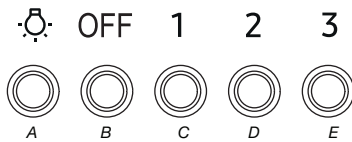
Uso de la Campana

Descripción de la campana



1. Control
2. Lámparas led
3. Manija de filtros de grasa
4. Filtros de grasa
5. Cubre ductos

Control



- A. Encendido / apagado de la luz
B. Botón de apagado
C. Velocidad baja
D. Velocidad media
E. Velocidad alta

Operando la luz

El botón de encendido / apagado de la luz (A) controla ambas luces. Presionar una vez para On y otra vez para Off.

Operando el motor

El botón de apagado del motor (B) apaga el motor. Los botones de velocidad (C, D, E) pueden configurar la velocidad deseada y controlar el nivel de sonido para un funcionamiento silencioso. La velocidad se puede cambiar en cualquier momento durante el funcionamiento del ventilador presionando el botón de velocidad deseada.

1. Para encender la campana, presione un botón de velocidad (C, D, E).
2. Para apagar la campana, presione el botón de apagado (B).

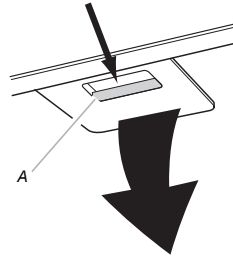
Mantenimiento

Limpieza

No rocíe limpiadores directamente sobre los controles mientras limpia la campana. La campana debe limpiarse regularmente internamente (al menos con la misma frecuencia con la que limpia los filtros de grasa) como externamente. Limpiar con un paño humedecido con detergente líquido neutro. No utilice productos abrasivos. ¡NO USE ALCOHOL!

Filtro de grasa

Deben limpiarse una vez al mes con detergentes no agresivos, ya sea a mano o en el lavavajillas, que debe configurarse a una temperatura baja y un ciclo corto. Cuando se lava en un lavaplatos, el filtro de grasa puede decolorarse ligeramente, pero esto no afecta su capacidad de filtrado. Para quitar el filtro de grasa, tire de la palanca de liberación del resorte.



A. Palanca de liberación

⚠ ADVERTENCIA

El incumplimiento de estas recomendaciones básicas de limpieza para la campana y la falta de limpieza del filtro de grasa pueden provocar riesgos de incendio.

Por lo tanto, le recomendamos encarecidamente que siga estas instrucciones.

Samsung no es responsable de ningún daño al motor ni de cualquier daño por incendio relacionado con un mantenimiento inadecuado o el incumplimiento de estas recomendaciones de limpieza y seguridad.

Sustitución de una lámpara LED

Las luces LED son reemplazables por un técnico de servicio solamente. Consulte la garantía para obtener información de contacto de servicio.

Uso de la Campana

Accesorios

Sólo para instalación recirculante

NOTA

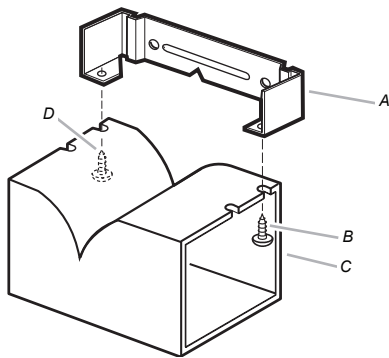
Para reducir el riesgo de incendio o descarga eléctrica cuando se utiliza la campana en modo de recirculación, use solo los modelos de kit de conversión que se enumeran a continuación:

Kit de recirculación: NK-AF020FNB / AA

Kit de reemplazo de filtro de carbón: NK-AR040FNB / AA

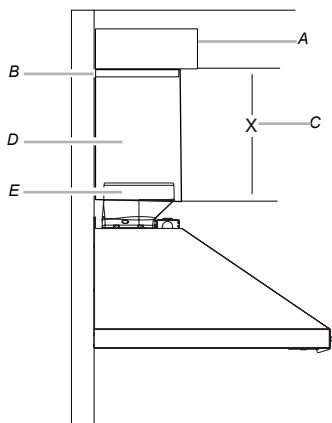
Para instalar el kit de recirculación, siga estos pasos:

1. Ensamble el deflector de aire con el soporte de la cubierta del ducto con 2 tornillos de ensamblaje provistos con el kit de recirculación.



A. Soporte de cubierta de ventilación
B. Tornillos de 2.9 x 6.5 mm.
C. Deflector

2. Mida desde la parte inferior del deflector de aire hasta la parte inferior de la salida de la campana.



A. deflector de aire
B. Abrazadera de ventilación
C. X = longitud para cortar el conducto de ventilación
D. conducto de ventilación
E. Salida de escape

3. Cortar el conducto al tamaño medido (X).
4. Retire el deflector de aire.
5. Deslice el conducto hacia la parte inferior del deflector de aire.
6. Coloque el deflector de aire y el conducto ensamblados sobre la salida de escape de la campana.
7. Vuelva a colocar el deflector de aire en el soporte de la cubierta del conducto con 2 tornillos de montaje.
8. Selle las conexiones con abrazaderas de ventilación.

Filtro de carbón

El filtro de carbón no es lavable. Debe durar hasta 6 meses.

Con uso normal. Reemplace con el kit de reemplazo del filtro de carbón.

Para reemplazar el filtro de carbón:

1. Retire el filtro de grasa metálico de la campana.
2. Doble los clips de resorte lejos del filtro de grasa de metal.



3. Coloque el filtro de carbón en la parte superior del filtro de metal.
4. Inserte el filtro de grasa de metal de nuevo en la campana.

Uso de la Campana

Campana extractora, cumplimiento con ADA

Las campanas se pueden instalar para cumplir con las Secciones 308 y 309 de las Pautas de ADA, cuando se usan con los controles montados adecuadamente instalados a una distancia de 15 "(38,1 cm) a 40" (101,6 cm) sobre el piso y el acceso al control no requiere que se alcance una cocción aparato.

Las siguientes campanas de cocina NK30R5000WS, NK36R5000WS, NK30R5000WG, NK36R5000WG pueden funcionar en una situación compatible con ADA cuando la campana eléctrica está cableada para operar desde un interruptor de pared eléctrico estándar dedicado. Para facilitar esta aplicación, comparta la información en las siguientes páginas con su electricista cuando se prepare para la instalación.

NOTA

Todos los modelos se pueden controlar con un solo interruptor remoto (el interruptor activa o desactiva el motor y la luz de la campana).

ADVERTENCIA

Todo el trabajo eléctrico debe realizarse de acuerdo con los códigos locales, las ordenanzas o el código eléctrico nacional, según corresponda. Por seguridad, este producto debe instalarse en una caja de interruptores con conexión a tierra. La instalación del cableado eléctrico debe ser realizada por un técnico calificado.

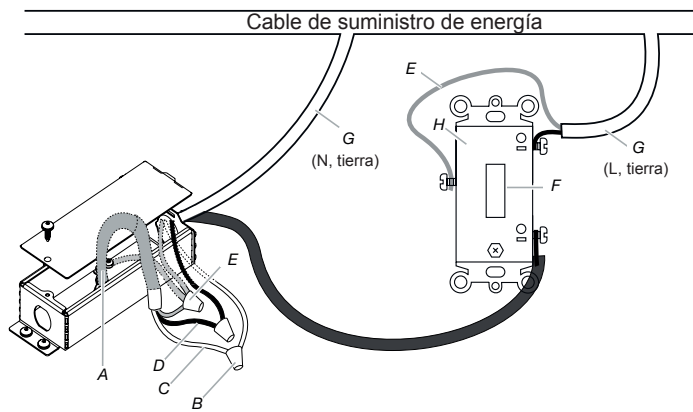
ADVERTENCIA

Peligro de descarga eléctrica

Desconecte la alimentación antes de realizar el servicio.

Reemplace todas las partes y paneles antes de operar.

De lo contrario, puede provocar la muerte o una descarga eléctrica.



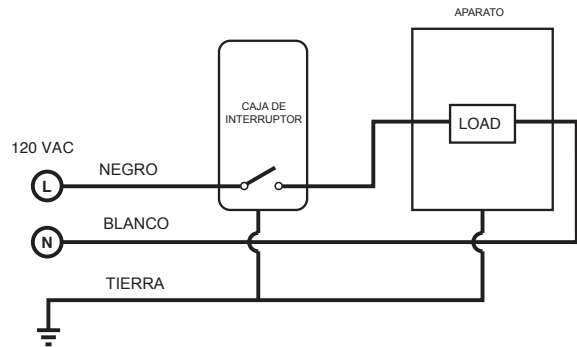
- A. Cable de campana
- B. Conector de cable listado por UL
- C. Cables blancos (N)
- D. cables negros (L)
- E. Verde y tierra verde-amarilla

- F. Interruptor listado por UL
- G. Cable de alimentación eléctrica para el hogar.
- H. Caja de interruptor

ADVERTENCIA

Para evitar incendios o descargas eléctricas, apague la alimentación en el cortacircuitos o el fusible. Confirme que la alimentación esté apagada antes de realizar el cableado.

1. MONTAJE LA CAJA DEL INTERRUPTOR. Instale una caja de 3½".
2. COLOQUE EL CABLE DE ALIMENTACIÓN. Sujete el cableado a la caja de interruptores y la unidad utilizando una abrazadera apropiada. Pase 6" de cable dentro de la caja y el ventilador para facilitar el cableado.
3. CONECTAR EL CABLEADO. Instrucciones generales:
 - Asegúrese de que tanto la caja del interruptor como el aparato estén conectados a tierra correctamente.
 - Asegúrese de que el cable de tierra esté bien sujeto al tornillo de tierra del control. Apretar el tornillo de tierra.
 - Use los tamaños adecuados de tuercas para el número y tamaño de los cables.
 - Para terminales a presión y de tornillo: Use mín. Cable de cobre sólido # 14 AWG solamente.
 - Apretar los terminales de tornillo.
 - Haga las conexiones eléctricas siguiendo el diagrama apropiado.



4. MONTA EL CONTROL EN LA CAJA DEL INTERRUPTOR. Coloque los cables en la caja del interruptor y fije el control a la caja con los tornillos adjuntos.
5. COLOCAR LA PLACA DEL INTERRUPTOR. Fije la placa del interruptor al control utilizando los tornillos cortos de la bolsa de piezas.

CAMPANA SAMSUNG

Garantía limitada al comprador original

Este producto de la marca SAMSUNG, suministrado y distribuido por Samsung Electronics America, Inc. (SAMSUNG) y entregado nuevo, en su empaque original al comprador original, está garantizado por SAMSUNG contra defectos de manufactura en materiales y mano de obra por un periodo de garantía limitado de:

UN (1) AÑO EN PIEZAS Y MANO DE OBRA

Esta garantía limitada comienza en la fecha original de compra, y es válida sólo en productos comprados y usados en los Estados Unidos. Para recibir el servicio por garantía, el comprador debe contactar a SAMSUNG para la determinación del problema y procedimientos de servicio. El servicio de Garantía puede sólo ser llevado a cabo por un centro de servicio autorizado por SAMSUNG. El recibo de compra original con fecha deberá ser presentado como prueba de compra a SAMSUNG o al centro de servicio autorizado SAMSUNG.

SAMSUNG reparará o reemplazará este producto, a su criterio y sin cargo conforme a lo estipulado en el presente documento, con partes nuevas o re trabajadas o productos si se encuentran defectuosos durante el periodo limitado de garantía especificado arriba. Todas las partes reemplazadas y productos son propiedad de SAMSUNG y deben ser regresadas a SAMSUNG. Las partes de reemplazo y productos asumen el tiempo pendiente de garantía, o noventa (90) días lo que sea más largo.

El servicio a domicilio será provisto durante el periodo de la garantía sujeto a disponibilidad dentro de los Estados Unidos. El servicio a domicilio no está disponible en todas las áreas. Para recibir servicio a domicilio, el producto debe estar sin obstrucciones y accesible al personal de servicio. Si durante el servicio a domicilio la reparación no puede ser completada, será necesario remover, reparar y regresar el producto.

Esta garantía limitada cubre defectos de manufactura en materiales y mano de obra encontrados en uso normal y no comercial de este producto y no aplicarán a los siguientes, incluyendo pero no limitados a: daños ocurridos en el traslado; entrega e instalación; aplicaciones y usos para los que este producto no fue fabricado; alteración del producto o números de serie; daños cosméticos o acabados exteriores; accidentes, abuso, negligencia, fuego, agua, rayos u otros actos de la naturaleza; uso de productos, equipo sistemas servicios, partes, insumos, accesorios, aplicaciones, instalaciones, reparos, cableado externo o conectores no suministrados o autorizados por SAMSUNG los cuáles dañen este producto o causen problemas de servicio; voltaje de línea eléctrica incorrecta, fluctuaciones y sobretensiones; ajustes del cliente y falla al seguir las instrucciones de operación, limpieza, mantenimiento e instrucciones ambientales que sean cubiertas y prescritas en el libro de instrucciones; problemas causados por infestación de plagas y sobrecalentamiento provocado por el usuario.

NO HAY GARANTÍAS EXPRESAS MÁS QUE LAS LISTADAS Y DESCRITAS EN LA PARTE SUPERIOR, Y NI GARANTÍAS YA SEA EXPRESAS O IMPLICADAS, INCLUYENDO, PERO NO LIMITADAS A, ALGUNAS GARANTÍAS IMPLICADAS DE COMERCIALIZACIÓN O APTITUD PARA UN PROPÓSITO EN PARTICULAR, DEBERÁ APLICAR DESPUÉS DE LOS PERIODOS DE LA GARANTÍA EXPRESADA EN LA PARTE SUPERIOR, Y NO OTRA GARANTÍA EXPRESADA O GARANTÍA DADA POR ALGUNA PERSONA, FIRMA O CORPORACIÓN CON RESPECTO A ESTE PRODUCTO SERÁ CUBIERTA POR SAMSUNG. SAMSUNG NO SERÁ RESPONSABLE DE LA PÉRDIDA DE INGRESOS O GANANCIAS, FALLO AL REALIZAR AHORROS U OTROS BENEFICIOS U OTROS DAÑOS ESPECIALES, INCIDENTALES O A CONSECUENCIA DEL USO, DESUSO O INHABILIDAD DE ESTE PRODUCTO A PESAR DE LA TEORÍA LEGAL EN LA CUÁL EL RECLAMO ESTÁ BASADO Y AÚN SI SAMSUNG HA SIDO ADVERTIDO DE LA POSIBILIDAD DE DICHOS DAÑOS. NINGUNA RECUPERACIÓN DE NINGÚN TIPO EN CONTRA DE SAMSUNG SERÁ MÁS GRANDE QUE EL MONTO DEL PRECIO DE COMPRA DEL PRODUCTO VENDIDO POR SAMSUNG Y CAUSANTE DEL DAÑO ALEGADO. SIN LIMITAR LO ANTERIOR, EL COMPRADOR ASUME EL RIESGO Y LA POSIBILIDAD DE PÉRDIDA, DAÑOS O LESIONES AL COMPRADOR Y A LA PROPIEDAD DEL COMPRADOR Y A OTROS Y SUS PROPIEDADES DERIVADA DE LA UTILIZACIÓN, MAL USO O INHABILIDAD EN EL USO DE ESTE PRODUCTO VENDIDO POR SAMSUNG NO CAUSADO DIRECTAMENTE POR LA NEGLIGENCIA DE SAMSUNG. ESTA GARANTÍA LIMITADA NO SERÁ EXTENDIDA A NINGÚN OTRO MÁS QUE AL COMPRADOR ORIGINAL DE ESTE PRODUCTO NO ES TRANSFERIBLE Y DECLARA SU RECURSO EXCLUSIVO.

Algunas provincias o territorios pueden o no permitir limitaciones acerca de cuánto dura una garantía implicada, o la exclusión o limitación de daños incidentales o a causa de, así que las limitaciones o exclusiones pueden no aplicar a usted. Esta garantía le da los derechos legales específicos y usted puede tener también otros derechos los cuáles varían de estado a estado.

Para obtener este servicio de garantía, por favor contacte a SAMSUNG al :

1-800-SAMSUNG (726-7864) o
www.samsung.com/us/support

garantía (Canadá)

CAMPANA SAMSUNG

Garantía limitada al comprador original

Este producto de la marca SAMSUNG, suministrado y distribuido por Samsung Electronics Canadá, Inc. (SAMSUNG) y entregado nuevo, en su empaque original al comprador original, está garantizado por SAMSUNG contra defectos de manufactura en materiales y mano de obra por un periodo de garantía limitado de:

UN (1) AÑO EN PIEZAS Y MANO DE OBRA

Esta garantía limitada comienza en la fecha original de compra, y es válida sólo en productos comprados y usados en Canadá. Para recibir el servicio por garantía, el comprador debe contactar a SAMSUNG para la determinación del problema y procedimientos de servicio. El servicio de Garantía puede sólo puede ser llevado a cabo por un centro de servicio autorizado por SAMSUNG. El recibo de compra original con fecha deberá ser presentado como prueba de compra a SAMSUNG o al centro de servicio autorizado SAMSUNG.

SAMSUNG reparará o reemplazará este producto, a su criterio y sin cargo conforme a lo estipulado en el presente documento, con partes nuevas o retrabajadas o productos si se encuentran defectuosos durante el periodo limitado de garantía especificado arriba. Todas las partes reemplazadas y productos son propiedad de SAMSUNG y deben ser regresadas a SAMSUNG. Las partes de reemplazo y productos asumen el tiempo pendiente de garantía, o noventa (90) días lo que sea más largo.

El servicio a domicilio será provisto durante el periodo de la garantía sujeto a disponibilidad dentro de Canadá. El servicio a domicilio no está disponible en todas las áreas. Para recibir servicio a domicilio, el producto debe estar sin obstrucciones y accesible al personal de servicio. Si durante el servicio a domicilio la reparación no puede ser completada, será necesario remover, reparar y regresar el producto.

Esta garantía limitada cubre defectos de manufactura en materiales y mano de obra encontrados en uso normal y no comercial de este producto y no aplicarán a los siguientes, incluyendo pero no limitados a: daños ocurridos en el traslado; entrega e instalación; aplicaciones y usos para los que este producto no fue fabricado; alteración del producto o números de serie; daños cosméticos o acabados exteriores; accidentes, abuso, negligencia, fuego, agua, rayos u otros actos de la naturaleza; uso de productos, equipo sistemas servicios, partes, insumos, accesorios, aplicaciones, instalaciones, reparos, cableado externo o conectores no suministrados o autorizados por SAMSUNG los cuáles dañen este producto o causen problemas de servicio; voltaje de línea eléctrica incorrecta, fluctuaciones y sobretensiones; ajustes del cliente y falla al seguir las instrucciones de operación, limpieza, mantenimiento e instrucciones ambientales que sean cubiertas y prescritas en el libro de instrucciones; problemas causados por infestación de plagas y sobrecalentamiento provocado por el usuario. SAMSUNG no garantiza el funcionamiento ininterrumpido ni libre de errores de este producto.

NO HAY GARANTÍAS EXPRESAS MÁS QUE LAS LISTADAS Y DESCRITAS EN LA PARTE SUPERIOR, Y NI GARANTÍAS YA SEA EXPRESAS O IMPLICADAS, INCLUYENDO, PERO NO LIMITADAS A, ALGUNAS GARANTÍAS IMPLICADAS DE COMERCIALIZACIÓN O APTITUD PARA UN PROPÓSITO EN PARTICULAR, DEBERÁ APLICAR DESPUÉS DE LOS PERIODOS DE LA GARANTÍA EXPRESADA EN LA PARTE SUPERIOR, Y NO OTRA GARANTÍA EXPRESADA O GARANTÍA DADA POR ALGUNA PERSONA, FIRMA O CORPORACIÓN CON RESPECTO A ESTE PRODUCTO SERÁ CUBIERTA POR SAMSUNG. SAMSUNG NO SERÁ RESPONSABLE DE LA PÉRDIDA DE INGRESOS O GANANCIAS, FALLO AL REALIZAR AHORROS U OTROS BENEFICIOS U OTROS DAÑOS ESPECIALES, INCIDENTALES O A CONSECUENCIA DEL USO, DESUSO O INHABILIDAD DE ESTE PRODUCTO A PESAR DE LA TEORÍA LEGAL EN LA CUÁL EL RECLAMO ESTÁ BASADO Y AÚN SI SAMSUNG HA SIDO ADVERTIDO DE LA POSIBILIDAD DE DICHOS DAÑOS. NINGUNA RECUPERACIÓN DE NINGÚN TIPO EN CONTRA DE SAMSUNG SERÁ MÁS GRANDE QUE EL MONTO DEL PRECIO DE COMPRA DEL PRODUCTO VENDIDO POR SAMSUNG Y CAUSANTE DEL DAÑO ALEGADO. SIN LIMITAR LO ANTERIOR, EL COMPRADOR ASUME EL RIESGO Y LA POSIBILIDAD DE PÉRDIDA, DAÑOS O LESIONES AL COMPRADOR Y A LA PROPIEDAD DEL COMPRADOR Y A OTROS Y SUS PROPIEDADES DERIVADA DE LA UTILIZACIÓN, MAL USO O INHABILIDAD EN EL USO DE ESTE PRODUCTO VENDIDO POR SAMSUNG NO CAUSADO DIRECTAMENTE POR LA NEGLIGENCIA DE SAMSUNG. ESTA GARANTÍA LIMITADA NO SERÁ EXTENDIDA A NINGÚN OTRO MÁS QUE AL COMPRADOR ORIGINAL DE ESTE PRODUCTO NO ES TRANSFERIBLE Y DECLARA SU RECURSO EXCLUSIVO.

Algunas provincias o territorios pueden o no permitir limitaciones acerca de cuánto dura una garantía implicada, o la exclusión o limitación de daños incidentales o a causa de, así que las limitaciones o exclusiones pueden no aplicar a usted. Esta garantía le da los derechos legales específicos y usted puede tener también otros derechos los cuáles varían de estado a estado.

Para obtener este servicio de garantía, por favor contacte a SAMSUNG al :

1-800-SAMSUNG (726-7864) o

www.samsung.com/ca/support (Inglés),

www.samsung.com/ca_fr/support (Francés)

SAMSUNG