



Washer

User manual

WF50BG83**A*

SAMSUNG



Contents

Safety information	4
What you need to know about the safety instructions	4
Important safety symbols	4
Important safety precautions	5
CALIFORNIA PROPOSITION 65 WARNING	5
Critical installation warnings	6
Installation cautions	7
Critical usage warnings	7
Usage cautions	9
Critical cleaning warnings	12
Regulatory notice	13
FCC Notice	13
IC Notice	14
Open Source Announcement	15
Installation	16
Unpacking your washer	16
What's included	17
Installation requirements	19
Step-by-step installation	23
Before you start	28
Initial settings	28
Laundry guidelines	28
Detergent drawer guidelines	30
Operations	33
Control panel	33
Simple steps to start	36
Cycle overview	36
Cycle chart	38
Special features	40
SmartThings	42



Maintenance	43
Self Clean ⁺	43
Smart Care	44
Emergency drain	45
Cleaning	46
Recovery from freezing	50
Care for an extended period of non-use	50
Cleaning the exterior	50
Cleaning the interior	50
Troubleshooting	51
Checkpoints	51
Information codes	55
Specifications	57
Fabric care chart	57
Protecting the environment	58
Declaration of conformity	58
Specification sheet	59



Safety information

Congratulations on your new Samsung washer. This manual contains important information on the installation, use and care of your appliance. Please take some time to read this manual to take full advantage of your washer's many benefits and features.

What you need to know about the safety instructions

Please read this manual thoroughly to ensure that you know how to safely and efficiently operate the extensive features and functions of your new appliance. Please store the manual in a safe location close to the appliance for future reference. Use this appliance only for its intended purpose as described in this instruction manual.

Warnings and Important Safety Instructions in this manual do not cover all possible conditions and situations that may occur. It is your responsibility to use common sense, caution and care when installing, maintaining and operating your washer.

Because the following operating instructions cover various models, the characteristics of your washer may differ slightly from those described in this manual and not all warning signs may be applicable. If you have any questions or concerns, contact your nearest service center or find help and information online at www.samsung.com.

Important safety symbols

What the icons and signs in this user manual mean:

WARNING

Hazards or unsafe practices that may result in **severe personal injury, death and/or property damage.**

CAUTION

Hazards or unsafe practices that may result in **personal injury and/or property damage.**

NOTE

Indicates that a risk of personal injury or material damage exists.

These warning signs are here to prevent injury to yourself and others.

Please follow them explicitly.

After reading this manual, store it in a safe place for future reference.

Read all instructions before using the appliance.

As with any equipment that uses electricity and moving parts, potential hazards exist. To safely operate this appliance, familiarize yourself with its operation and exercise care when using it.

SAVE THESE INSTRUCTIONS



Important safety precautions

WARNING

To reduce the risk of fire, electric shock, or injury to persons when using your appliance, follow basic precautions, including the following:

1. Read all instructions before using the appliance.
2. Do not wash or dry articles that have been previously cleaned in, washed in, soaked in, or spotted with gasoline, dry-cleaning solvents, other flammable or explosive substances as they give off vapors that could ignite or explode.
3. Do not allow children to play on or in the appliance. Close supervision of children is necessary when the appliance is used near children.
4. Before the appliance is removed from service or discarded, remove the door to the washing or drying compartment.
5. Do not reach into the appliance if the drum is moving.
6. Do not install or store this appliance where it will be exposed to the weather.
7. Do not tamper with controls.
8. Do not repair or replace any part of the appliance or attempt any servicing unless specifically recommended in the user-maintenance instructions or in published user repair instructions that you understand and have the skills to carry out.
9. Do not add gasoline, dry-cleaning solvents, or other flammable or explosive substances to the wash water. These substances give off vapors that could ignite or explode.
10. Under certain conditions, hydrogen gas may be produced in a hot water system that has not been used for 2 weeks or more. **HYDROGEN GAS IS EXPLOSIVE.** If the hot water system has not been used for such a period, before using a washer or combination washer-dryer, turn on all hot water faucets and let the water flow from each for several minutes. This will release any accumulated hydrogen gas. As the gas is flammable, do not smoke or use an open flame during this time.

CALIFORNIA PROPOSITION 65 WARNING

WARNING

Cancer and Reproductive Harm - www.P65Warnings.ca.gov.

SAVE THESE INSTRUCTIONS



Safety information

Critical installation warnings

WARNING

The installation of this appliance must be performed by a qualified technician or service company.

- Failure to do so may result in electric shock, fire, an explosion, problems with the product, or injury.

The appliance is heavy, therefore take care when lifting it.

Plug the power cord into a wall socket that meets local electrical specifications. Use the socket for this appliance only, and do not use an extension cord.

- Sharing a wall socket with other appliances, using a power strip, or extending the power cord may result in electric shock or fire.
- Ensure that the voltage, frequency, and current supplied to the washer matches those listed in the product specifications. Failure to do so may result in electric shock or fire. Plug the power plug into the wall socket firmly.

Remove all foreign substances such as dust or water from the power plug terminals and contact points using a dry cloth on a regular basis.

- Unplug the power plug and clean it with a dry cloth.
- Failure to do so may result in electric shock or fire.

Plug the power plug into the wall socket so that the cord is running towards the floor.

- If you plug the power plug into the socket in the opposite direction, the electric wires within the cable may be damaged and this may result in electric shock or fire.

Keep all packaging materials out of the reach of children as these may be dangerous.

- If a child places a plastic bag over his or her head, he or she can suffocate.

If the appliance, power plug, or power cord is damaged, contact your nearest service center.

This appliance must be properly grounded.

Do not ground the appliance to a gas pipe, plastic water pipe, or telephone line.

- This may result in electric shock, fire, an explosion, or problems with the product.
- Never plug the power cord into a socket that is not grounded correctly. Make sure that the socket is in accord with local and national regulations.

Do not install this appliance near a heater or any flammable material.

Do not install this appliance in a humid, oily or dusty location, or in a location exposed to direct sunlight or water (rain drops).

Do not install this appliance in a location exposed to low temperatures.

- Frost may cause the tubes to burst.

Do not install this appliance in a location where gas may leak.

- This may result in electric shock or fire.

SAVE THESE INSTRUCTIONS



Do not use an electric transformer to power the washer.

- This may result in electric shock or fire.

Do not use a damaged power plug, damaged power cord, or loose wall socket.

- This may result in electric shock or fire.

Do not pull or bend the power cord excessively.

Do not twist or tie the power cord.

Do not hook the power cord over a metal object, place a heavy object on the power cord, insert the power cord between objects, or push the power cord into the space behind the appliance.

- This may result in electric shock or fire.

Do not pull the power cord when unplugging the power plug.

- Unplug the power plug by pulling the plug.
- Failure to do so may result in electric shock or fire.

This appliance should be positioned so that the power plug, the water supply taps, and the drain pipes are accessible.

Installation cautions

CAUTION

This appliance should be positioned in such a way that the power plug is easily accessible.

- Failure to do so may result in electric shock or fire due to electric leakage.

Install your appliance on a solid, level floor that can support its weight.

- Failure to do so may result in abnormal vibrations, movement, noise, or problems with the product.

Critical usage warnings

WARNING

If the appliance is flooded, turn off the water & power supplies immediately and contact your nearest service center.

- Do not touch the power plug with wet hands.
- Failure to do so may result in electric shock.

If the appliance generates a strange noise, a burning smell, or smoke, unplug the power plug immediately and contact your nearest service center.

- Failure to do so may result in electric shock or fire.

SAVE THESE INSTRUCTIONS



Safety information

In the event of a gas leak (such as propane gas, LP gas, etc.), ventilate immediately without touching the power plug. Do not touch the appliance or power cord.

- Do not use a ventilating fan.
- A spark may result in an explosion or fire.

Do not let children play in or on the washer. In addition, when disposing of the appliance, remove the washer door lever.

- Children can suffocate to death if trapped inside the product.

Make sure to remove the packaging (sponge, styrofoam) attached to the bottom of the washer before using it.

Do not wash items contaminated with gasoline, kerosene, benzene, paint thinner, alcohol, or other inflammable or explosive substances in the washer.

- This may result in electric shock, fire, or an explosion.

Do not open the washer door by force while it is operating (high-temperature washing/drying/spinning).

- Water flowing out of the washer may result in burns or cause the floor to be slippery. This may result in injury.
- Opening the door by force may result in damage to the product or injury.

Do not insert your hand under the washer while an operation is in progress.

- This may result in injury.

Do not touch the power plug with wet hands.

- This may result in electric shock.

Do not turn the appliance off by unplugging the power plug while an operation is in progress.

- Plugging the power plug into the wall socket again may cause a spark and result in electric shock or fire.

Do not let children climb in or onto the appliance.

- This may result in electric shock, burns, or injury.

Do not insert your hand or a metal object under the washer while it is operating.

- This may result in injury.

Do not unplug the appliance by pulling the power cord. Always grip the plug firmly and pull it straight out of the outlet.

- Damage to the power cord may cause a short-circuit, fire, and/or electric shock.

Do not attempt to repair, disassemble, or modify the appliance yourself.

- Do not use a fuse (such as copper, steel wire, etc.) other than a standard fuse.
- When the appliance needs to be repaired or reinstalled, contact your nearest service center.
- Failure to do so may result in electric shock, fire, problems with the product, or injury.

If the water supply hose comes loose from the faucet and floods the appliance, unplug the power plug.

- Failure to do so may result in electric shock or fire.

SAVE THESE INSTRUCTIONS



Unplug the power plug when the appliance is not being used for long periods of time or during a thunder or lightning storm.

- Failure to do so may result in electric shock or fire.

If any foreign substance enters the appliance, unplug the power plug and contact your nearest Samsung Customer Service.

- This may result in electric shock or fire.

Do not let children (or pets) play in or on your washer. The washer door does not open easily from the inside and children may be seriously injured if trapped inside.

Usage cautions

CAUTION

If the washer is contaminated by a foreign substance such as detergent, dirt, food waste, etc., unplug the power plug and clean the washer using a damp, soft cloth.

- Failure to do so may result in discoloration, deformation, damage, or rust.

The front glass may be broken by a strong impact. Take care when using the washer.

- If the glass is broken, it may result in injury.

After a water supply failure or when reconnecting the water supply hose, open the faucet slowly.

Open the faucet slowly after a long period of non-use.

- The air pressure in the water supply hose or the water pipe may damage a product part or result in a water leak.

If a draining error occurs during an operation, check if there is a draining problem.

- If the washer is used when it is flooded because of a draining problem, it may result in electric shock or fire.

Insert the laundry into the washer completely so that the laundry does not get caught in the door.

- If laundry gets caught in the door, it may result in damage to the laundry or the washer, or result in a water leak.

Turn the water supply off when the washer is not being used.

- Ensure that the water supply hose connectors are properly tightened.

Ensure that the rubber seal and front door glass are not contaminated by a foreign substance (e.g. waste, thread, hair, etc.).

- If a foreign substance is caught in the door or the door is not completely closed, it may cause a water leak.

SAVE THESE INSTRUCTIONS



Safety information

Open the faucet and check if the water supply hose connectors are firmly tightened and that there are no water leaks before using the product.

- If the connectors on the water supply hoses are loose, it may result in a water leak.

The product you have purchased is designed for domestic use only.

Using the product for business purposes qualifies as a product misuse. If the product is used for business purposes, it will not be covered by the standard warranty provided by Samsung and no responsibility can be attributed to Samsung for malfunctions or damages resulting from such misuse.

Do not stand on the appliance or place objects (such as laundry, lighted candles, lighted cigarettes, dishes, chemicals, metal objects, etc.) on the appliance.

- This may result in electric shock, fire, problems with the product, or injury.

Do not spray volatile material such as insecticide onto the surface of the appliance.

- As well as being harmful to humans, this may result in electric shock, fire, or problems with the product.

Do not place objects that generate electromagnetic fields near the washer.

- This may result in injury due to a malfunction.

Water drained during a high-temperature wash or drying cycle is hot. Do not touch the water.

- This may result in burns or injury.

Do not wash, spin, or dry water-proof seats, mats, or clothing (*) unless your appliance has a special cycle for washing these items.

(*): Woolen bedding, rain covers, fishing vests, ski pants, sleeping bags, diaper covers, sweat suits, and bicycle, motor cycle and car covers, etc.

- Do not wash thick or hard mats even if the washer mark is on the care label. This may result in injury or damage to the washer, walls, floor, or clothing due to abnormal vibrations.
- Do not wash throw rugs or doormats with rubber backing. The rubber backing may come off and stick to inside the drum, and this may result in malfunction such as a drainage error.

Do not operate the washer when the detergent drawer is removed.

- This may result in electric shock or injury due to a water leak.

Do not touch the insides of the drum during or just after drying as it is hot.

- This may result in burns.

The door glass becomes hot during washing and drying. Therefore, do not touch the door glass.

Also, do not allow children to play around the washer or touch the door glass.

- This may result in burns.

Do not insert your hand into the detergent drawer.

- This may result in injury as your hand may be caught by the detergent input device.

SAVE THESE INSTRUCTIONS



- Do not use the liquid detergent container (on applicable models only) for powdered detergent. Remove the container and put powdered detergent directly into the Main wash compartment.

Do not place any objects (such as shoes, food waste, animals) other than laundry into the washer.

- This may result in damage to the washer, or injury and death in the case of pets, due to the abnormal vibrations.

Do not press the buttons using sharp objects such as pins, knives, fingernails, etc.

- This may result in electric shock or injury.

Do not wash laundry contaminated by oils, creams, or lotions usually found in skincare shops or massage clinics.

- This may cause the rubber seal to become deformed and result in a water leak.

Do not leave metal objects such as safety pins, hair pins or bleach in the drum for long periods of time.

- Doing either may cause the drum to rust.
- If rust starts appearing on the surface of the drum, apply a (neutral) cleansing agent to the surface and use a sponge to clean it. Never use a metal brush.

Do not use dry cleaning detergent directly and do not wash, rinse, or spin laundry contaminated by dry cleaning detergent.

- This may result in spontaneous combustion or ignition due to the heat from the oxidation of the oil.

Do not use water from water cooling/heating devices.

- This may result in problems with the washer.

Do not use natural hand-washing soap for the washer.

- If it hardens and accumulates inside the washer, it may result in problems with the product, discoloration, rust, or bad odors.

Place socks and brassieres in a washing net and wash them with the other laundry.

Do not wash large laundry items such as bedding in the washing net.

- Failure to do so may result in injury due to abnormal vibrations.

Do not use hardened detergent.

- If it accumulates inside the washer, it may result in a water leak.

Make sure that the pockets of all the clothing items to be washed are empty.

- Hard, sharp objects such as coins, safety pins, nails, screws, or stones can cause extensive damage to the appliance.

Do not wash clothing with large buckles, buttons, or other heavy metal objects in the washer.

Sort the laundry by color on the basis of its colorfastness and select the recommended cycle, water temperature, and additional functions.

- Failure to do this may result in discoloration or fabric damage.

SAVE THESE INSTRUCTIONS

Safety information

Take care that children's fingers are not caught in the door when you close it.

- Failure to do so may result in injury.

Critical cleaning warnings

WARNING

Do not clean the appliance by spraying water directly onto it.

Do not use a strong acidic cleaning agent.

Do not use benzene, thinner, or alcohol to clean the appliance.

- This may result in discoloration, deformation, damage, electric shock, or fire.

Before cleaning or performing maintenance, unplug the appliance from the wall socket.

- Failure to do so may result in electric shock or fire.

SAVE THESE INSTRUCTIONS

Regulatory notice

FCC Notice

CAUTION

Any changes or modifications not expressly approved by the party responsible for compliance could void the user's authority to operate the equipment.

This device complies with Part 15 of FCC Rules. Operation is Subject to following two conditions:

1. This device may not cause harmful interference, and
2. This device must accept any interference received including interference that cause undesired operation.

For products sold in the US and Canadian markets, only channels 1–11 are available. You cannot select any other channels.

FCC STATEMENT:

This equipment has been tested and found to comply within the limits for a Class B digital device, pursuant to part 15 of the FCC Rules. These limits are designed to provide reasonable protection against harmful interference in a residential installation.

This equipment generates, uses, and can radiate radio frequency energy and, if not installed and used in accordance with the instructions, may cause harmful interference to radio communications. However, there is no guarantee that interference will not occur in a particular installation. If this equipment does cause harmful interference to radio or television reception, which can be determined by turning the equipment off and on, the user is encouraged to try to correct the interference by one or more of the following measures:

- Reorienting or relocating the receiving antenna
- Increasing the separation between the equipment and receiver
- Connecting the equipment to an outlet that is on a different circuit than the radio or TV.
- Consulting the dealer or an experienced radio/TV technician for help.

FCC RADIATION EXPOSURE STATEMENT:

This equipment complies with FCC radiation exposure limits set forth for an uncontrolled environment. This equipment should be installed and operated so there is at least 8 inches (20 cm) between the radiator and your body. This device and its antenna(s) must not be colocated or operated in conjunction with any other antenna or transmitter.

SAVE THESE INSTRUCTIONS



Regulatory notice

IC Notice

The term “IC” before the radio certification number only signifies that Industry Canada technical specifications were met. Operation is subject to the following two conditions:

1. This device may not cause interference, and
2. This device must accept any interference, including interference that may cause undesired operation of the device.

This Class B digital apparatus complies with Canadian ICES-003.

Cet appareil numérique de la classe B est conforme à la norme NMB-003 du Canada.

For products sold in the US and Canadian markets, only channels 1–11 are available. You cannot select any other channels.

IC RADIATION EXPOSURE STATEMENT:

This equipment complies with IC RSS-102 radiation exposure limits set forth for an uncontrolled environment. This equipment should be installed and operated so there is at least 8 inches (20 cm) between the radiator and your body. This device and its antenna(s) must not be colocated or operated in conjunction with any other antenna or transmitter.



SAVE THESE INSTRUCTIONS



Open Source Announcement

The software included in this product contains open source software. You may obtain the complete corresponding source code for a period of three years after the last shipment of this product by contacting our support team via <http://opensource.samsung.com> (Please use the "Inquiry" menu.)

It is also possible to obtain the complete corresponding source code in a physical medium such as a CD-ROM; a minimal charge will be required.

The following URL http://opensource.samsung.com/opensource/SMART_AT_051/seq/0 leads to the open source license information as related to this product. This offer is valid to anyone in receipt of this information.



NOTE

Hereby, Samsung Electronics, declares that the radio equipment type appliance is in compliance with Directive 2014/53/EU. The full text of the EU declaration of conformity is available at the following internet address: The official Declaration of conformity may be found at <http://www.samsung.com>, go to Support > Search Product Support and enter the model name.

Wi-Fi max transmitter power : 20 dBm at 2.412 GHz – 2.472 GHz

SAVE THESE INSTRUCTIONS



Installation

Follow these instructions carefully to ensure proper installation of your washer and to prevent accidents when doing laundry.

⚠ WARNING

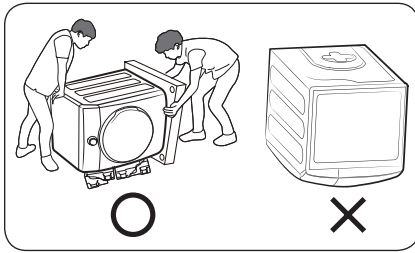
Certain internal parts are intentionally not grounded and may present a risk of electric shock only during servicing. Service personnel – Do not contact the following parts while the appliance is energized: Control board, heat sink, motor, inlet valve and pump.

Unpacking your washer

Unpack your washer and inspect it for shipping damage. Make sure you have received all the items shown on the next page. If your washer was damaged during shipping, or you do not have all of the items, call 1-800-SAMSUNG (1-800-726-7864). To prevent personal injury or strain, wear protective gloves whenever lifting or carrying the unit.

⚠ WARNING

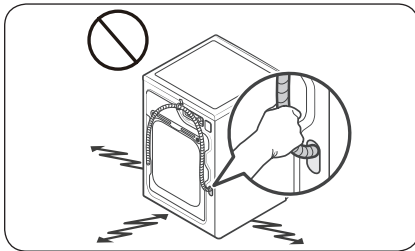
Packing materials can be dangerous to children; Keep all packing material (plastic bags, polystyrene, etc.) well out of children's reach.



⚠ CAUTION

You must have at least 2 people unpack the washer. To remove the cushion bottom of the packing materials, do not tip the washer over on its front side.

When you lay the washer down to remove the carton base, protect the side of the washer and lay it down carefully. Never lay your washer on its back or front.



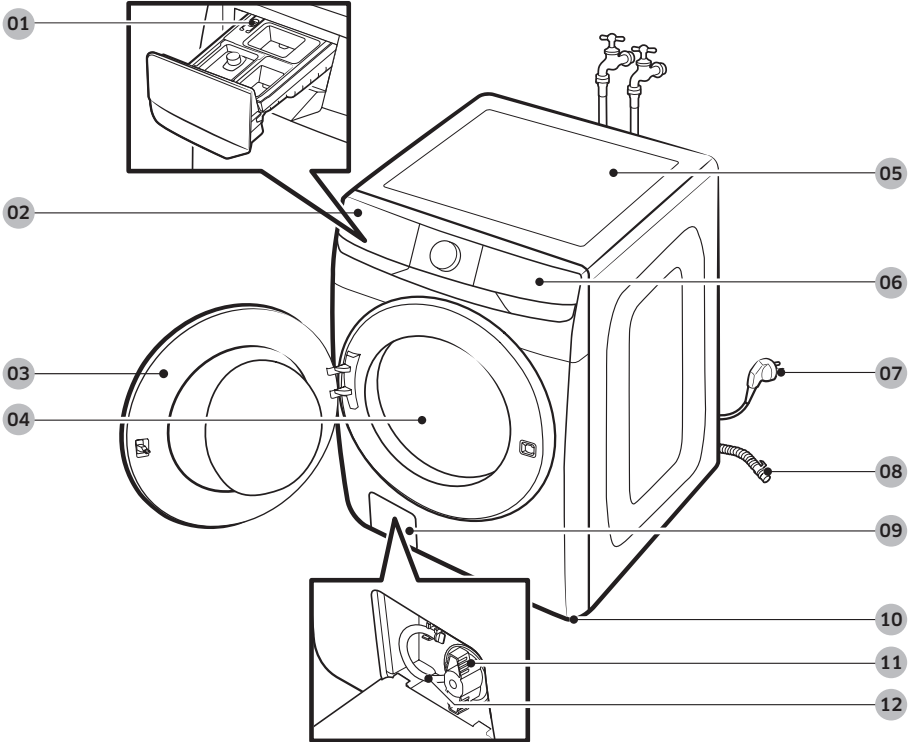
⚠ CAUTION

Do not grab or pull the drain hose to drag and move the product.



What's included

Make sure all the parts are included in the product package. If you have a problem with the washer or the parts, contact the Samsung customer care center at 1-800-SAMSUNG (1-800-726-7864) or your retailer.



- | | | |
|------------------|---------------------|-------------------------|
| 01 Release lever | 02 Detergent drawer | 03 Door |
| 04 Drum | 05 Worktop | 06 Control panel |
| 07 Power plug | 08 Drain hose | 09 Filter cover |
| 10 Leveling feet | 11 Pump filter | 12 Emergency drain tube |



Installation

Parts supplied



Wrench



Bolt caps



Hose guide



Cable tie



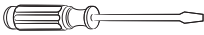
Anti-slip pads

Parts not supplied

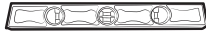


Water hoses (sold separately)

Tools needed for installation



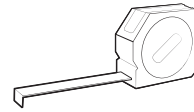
Phillips screwdriver



Level



Adjustable pliers



Measuring tape

NOTE

- Bolt caps: The number (3 to 6) of bolt caps provided depends on the model.
- The appearance of the washer and provided accessories may differ with the model.
- To purchase an accessory or lost part, contact a local Samsung service center or the retailer.

CAUTION

- Do not reuse old water hoses, which may leak or burst, causing flooding and/or property damage.
- Make sure rubber washers are inserted in each coupling of both water hoses.



Installation requirements

Electrical supply and grounding

- AC 120 V / 60 Hz / 15 AMP fuse or circuit breaker is required.
- Use an individual branch circuit. Connect only the washer to the circuit.

To ensure proper grounding, the washer comes with a power cord featuring a three-prong grounding plug for use in a properly installed and grounded outlet.

Check with a qualified electrician or service person if you are not sure about the grounding.

Do not modify the provided plug. If it does not fit the outlet, call a qualified electrician to install a proper outlet.

WARNING

- Do NOT use an extension cord.
- Use only the power cord that comes with the washer.
- Do NOT connect the ground wire to plastic plumbing, gas lines, or hot water pipes.
- Improperly connected grounding conductors may cause electric shock.
- To prevent unnecessary risk of fire, electrical shock, or personal injury, all wiring and grounding must be done in accordance with local codes, or in the absence of local codes, in accordance with the National Electrical Code, ANSI/NFPA No. 70-Latest Revision (for the U.S.) or the Canadian Electrical Code CSA C22.1 – Latest Revisions and local codes and ordinances. It is your responsibility to provide adequate electrical service for your washer.

Water supply

Proper water pressure for this washer is between 20-116 psi (137-800 kPa). Water pressure less than 20 psi (137 kPa) may cause the water valve not to close completely. Or, it may take longer to fill the drum, causing the washer to turn off. Water taps must be within 4 ft. (122 cm) from the rear of the washer so that the provided inlet hoses reach the washer.

To reduce the risk of leaks:

- Make sure water taps are easily accessible.
- Turn off the taps when the washer is not in use.
- Check for any leaks at the water inlet hose fittings on a regular basis.

CAUTION

Before using the washer for the first time, check all connections at the water valve and taps for any leaks.

Drain

Samsung recommends a standpipe 18 in. (460 mm) high. The drain hose must be connected through the hose clip to the standpipe, and the standpipe must fully cover the drain hose.

Installation

Flooring

For best performance, the washer must be installed on a solid floor. Wood floors may need to be reinforced to minimize vibration and/or unbalanced loads. Carpeting and soft tile surfaces do not provide good resistance to vibrations and may cause the washer to move slightly during the spin cycle.

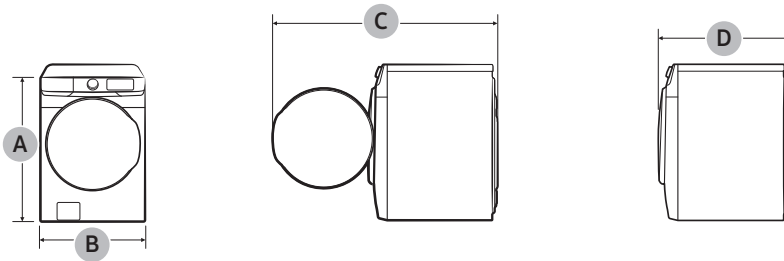
⚠ CAUTION

Do NOT install the washer on a platform or a poorly supported structure.

Water temperature

Do not install the washer in areas where water may freeze as the washer always retains some water in its water valves, pumps, and/or hoses. Frozen water can cause damage to belts, the pump, and other components of the washer.

Dimensions



A. Overall height	38.7 in. (984 mm)
B. Width	27 in. (686 mm)
C. Depth with door open	54.8 in. (1392 mm)
D. Depth	33.5 in. (850 mm)

Clearance requirement

This clearance requirement is applicable for washers only.

NOTE

- For dryer's clearance requirement, see the dryer's user manual.
- If the washer and dryer have different clearance requirements, use the one with the larger value.

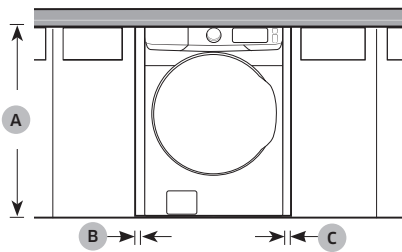
Alcove or closet installations

Minimum clearance for stable operation:

Sides	Top	Rear	Front
1 in. (25 mm)	1 in. (25 mm)	2 in. (50 mm)	1 in. (25 mm)

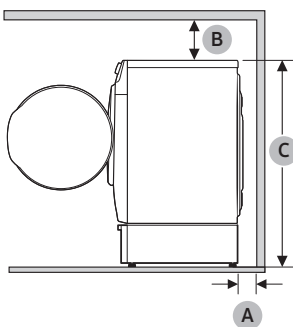
If both the washer and a dryer are installed in the same location, the front of the alcove or closet must have two unobstructed air openings for a combined minimum total area of 72 in.² (465 cm²).

Undercounter installation



A	39.6 in. (1006 mm)
B	1 in. (25 mm)
C	1 in. (25 mm)

Pedestal installation

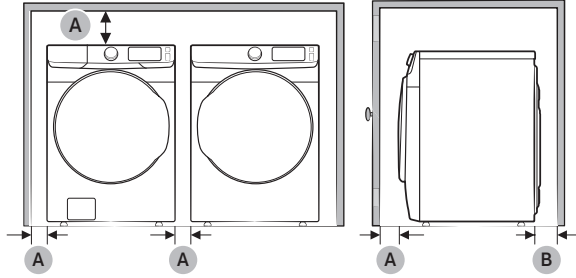


A	2 in. (50 mm)
B	6 in. (152 mm)
C	52.8 in. (1341 mm)

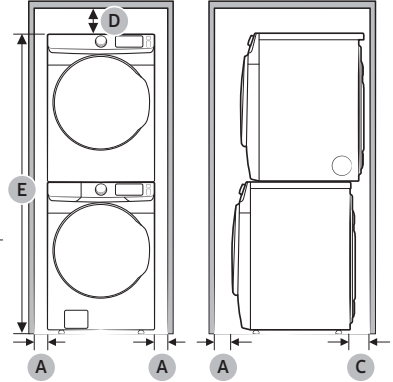
Installation

This clearance requirement is applicable for washer and dryer pair installation.

Side by side installation



Stacked installation (Model: SKK-8K)



NOTE

If you install a new dryer next to the washer you have been using, the dryer may stick out at front more than the washer.

A	1 in. (25 mm)
B	2 in. (50 mm) * This clearance requirement only applies to the washer. For dryer's clearance requirement, see the dryer's user manual.
C	4.6 in. (117 mm)
D	6 in. (152 mm)
E	78.5 in. (1994 mm)

WARNING

- Samsung's washers and dryers can be stacked to maximize usable space.
- The dryer feet need to be removed to stack the washer and dryer. You can purchase an optional stacking kit from your Samsung retailer.

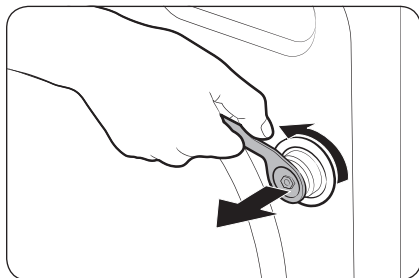
Step-by-step installation

STEP 1 Select a location

Location requirements:

- A solid, level surface without carpeting or flooring that may obstruct ventilation
- No direct sunlight
- Adequate room for ventilation and wiring
- Ambient temperature always higher than the freezing point (32 °F / 0 °C)
- Away from heat sources

STEP 2 Remove the shipping bolts

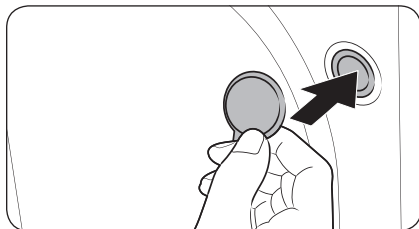


Unpack the product package and remove all shipping bolts.

1. Loosen all shipping bolts on the rear of the machine using the spanner.

NOTE

Use the enclosed end of the supplied wrench to remove the shipping bolts.



2. Fill the holes with the supplied plastic bolt caps. Keep the shipping bolts for future use.

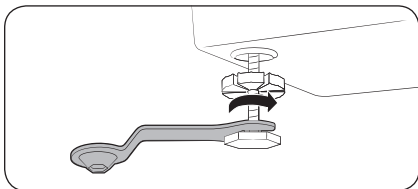
WARNING

- The shipping bolts secure the tub during product transportation and reduce the chance of suspension damage. Remove the shipping bolts before using the product and only reinsert them if you need to move the product.
- Packaging materials can be dangerous to children. Dispose all packaging material (plastic bags, polystyrene, etc.) out of children's reach.

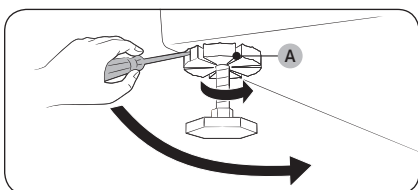


Installation

STEP 3 Adjust the leveling feet



1. Gently slide the washer into position. Excessive force may damage the leveling feet.
2. Using a wrench, turn the leveling feet clockwise or counterclockwise to adjust the height until the washer is level.

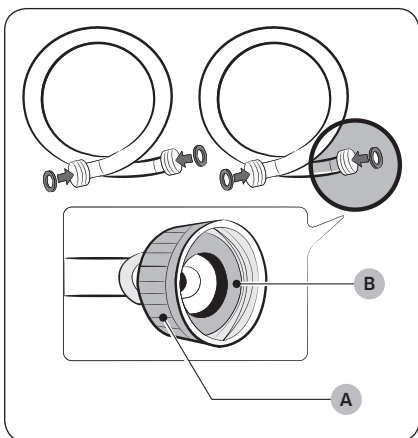


3. Using a flathead screwdriver, tighten the **locking nuts (A)**.

NOTE

Use the open-end of the supplied wrench to adjust the leveling feet.

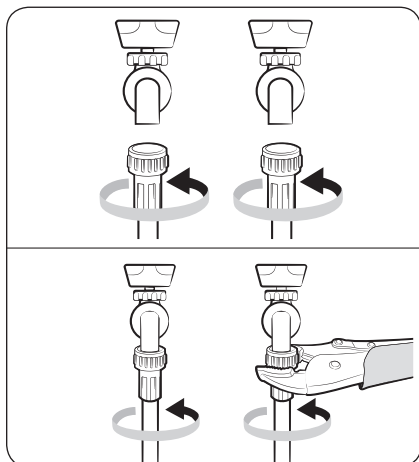
STEP 4 Connect the water hose



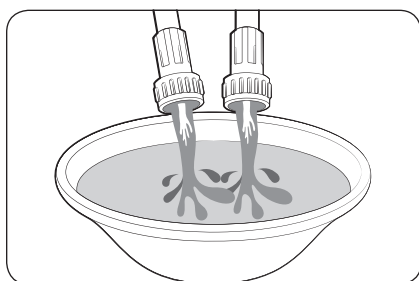
CAUTION

- Make sure to use new water hoses and that **rubber gaskets (B)** are inside the **couplings (A)** at both ends of the hoses. Water hoses without the gaskets may leak.
- Allow 5 in. (127 mm) of space between the back of the washer and the wall to prevent water hoses from being kinked. Kinked hoses may cause water leaks.
- If there is a water leak, stop using the washer and contact a local Samsung service center. A water leak may cause electric shock.
- Do not stretch the water hoses by force. If a hose is too short, replace the hose with a longer hose.

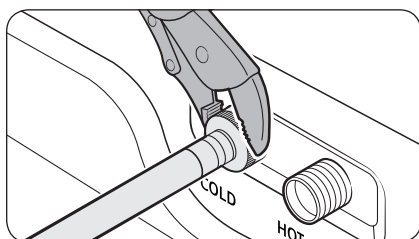




1. Attach the water hoses to the hot and cold water taps, and then hand tighten the water hose fittings until they are tight. Then, use pliers to tighten the fittings by an additional two-thirds of a turn. To avoid damaging the fittings, do not overtighten them.
2. Pull the water hoses to check if they are firmly connected.



3. Put the other ends of the hoses into a bucket, and then open the water taps for 10 - 15 seconds to remove impurities. When done, close the taps.



4. Attach the water hoses to the hot and cold water inlets on the back of the washer, and then hand tighten the water hose fittings until they are tight. Then, use pliers to tighten the fittings by an additional two-thirds of a turn.

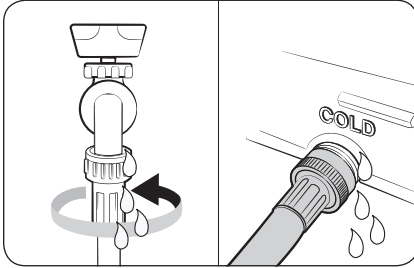
NOTE

If you do not want to use the hot water supply hose, attach the water intake cap to the hot water supply intake. When you do a wash, press **Temp.** to select Cold.



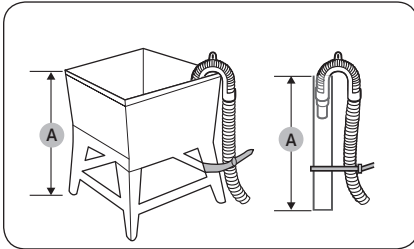
Installation

English



5. Open the water taps, and check for leaks.

STEP 5 Connect the drain hose



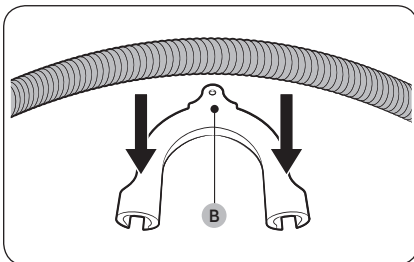
To a Laundry Tub or Drain Pipe

1. Check the **height (A)** of your drain system and make sure the minimum and maximum heights shown below are met.

Minimum	18 in. (46 cm)
Maximum	96 in. (245 cm)

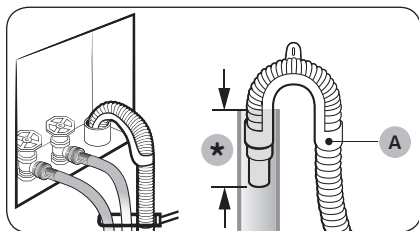
NOTE

- Make sure to measure the height from the floor where the washer is placed.
- Draining efficiency may be reduced if the drain system is at the maximum height.
- To prevent the washer from siphoning water, do not use a drain system below the minimum height.



2. Attach the drain hose to the **plastic hose guide (B)**.





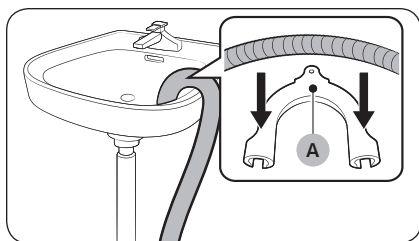
(*): Min. 6 in. (152 mm), Max. 8 in. (203 mm)

3. Route the drain hose to the drain system.

⚠ CAUTION

- If using a standpipe, make sure the standpipe and drain hose connection is not airtight.
- If using a standpipe, make sure the drain hose is inserted at least 6 in. (152 mm) but no more than 8 in. (203 mm) into the standpipe.

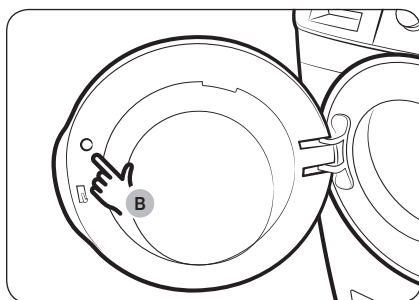
4. Secure the drain hose with cable ties.



Over the edge of a wash basin

The drain hose must be placed no lower than 24 in. (60 cm) and no higher than 35 in. (90 cm) from the floor. To keep the spout of the drain hose bent, use the supplied plastic **hose guide (A)**. Secure the guide to the wall using a hook to ensure stable drainage.

STEP 6 Remove the film inside the door



Remove the **small circle of film (B)** above the door latch before use.

STEP 7 Power on

Plug the power cord into an AC 120 V / 60 Hz / 15 AMP approved electrical outlet protected by a fuse or circuit breaker. Then, press **Power** to turn on the washer.



Before you start

Initial settings

Run Calibration (recommended)

Calibration ensures accurate weight detection by the washer. Make sure the drum is empty before running Calibration.

1. Press **Power** to turn on the washer.
2. Press and hold **Temp.** and **Delay End** simultaneously for 3 seconds.
3. Press and hold **Start/Pause (Hold to Start)** to start Calibration.
 - The door is locked during the operation.
 - The drum keeps rotating clockwise and counterclockwise for several minutes.
4. When complete, the washer turns off automatically.

Laundry guidelines

STEP 1 Sort

Sort the laundry according to these criteria:

- Care Label: Sort the laundry into cottons, mixed fibers, synthetics, silks, wools, and rayon.
- Color: Separate whites from colors.
- Size: Mixing different sized items together in the drum improves the washing performance.
- Sensitivity: Wash delicate items separately. For pure, new woolen items, curtains, and silk items, check the labels on the items.

NOTE

Make sure to check the care label on all clothing, and sort clothing accordingly before starting the wash.

STEP 2 Empty pockets

Empty all the pockets of your laundry items

- Metal objects such as coins, pins, and buckles on clothing may damage other laundry items as well as the drum.

Turn clothing with buttons and embroideries inside out

- If pants or jacket zippers are open while washing, the drum may be damaged. Zippers should be closed and fixed with a string.
- Clothing with long strings may become entangled with other clothes. Make sure to tie the strings before starting the wash.



STEP 3 Use a laundry net

- Brassieres (water washable) must be placed in a laundry net. Metal parts of the brassieres may break through and tear other laundry items.
- Small, light clothing such as socks, gloves, stockings, and handkerchiefs may become caught around the door. Place them inside a fine laundry net.
- Do not wash the laundry net by itself without other laundry. This may cause abnormal vibrations that could move the washer and result in injury.

STEP 4 Determine the load capacity

Do not overload the washer. Overloading may cause the washer to wash improperly.

 **NOTE**

When washing bedding or bedding covers, the wash time may be lengthened or the spin efficiency may be reduced.

For bedding or bedding covers, the recommended maximum spin level is Level 2 or Level 3, and the load capacity is 7 lb (3.0 kg) or less.

 **CAUTION**

If the laundry is unbalanced and the “UB” information code is displayed, redistribute the load. Unbalanced laundry may reduce spinning performance.

STEP 5 Add the correct detergent type

The type of detergent you use - general purpose, specifically for woolens, etc. - depends on the type of fabric (cotton, synthetic, delicate items, wool), color, wash temperature, and degree of soiling. Regardless of the specific type of detergent you use, always use “low suds” HE laundry detergent which is designed for automatic washers.

 **NOTE**

- Follow the detergent manufacturer’s recommendations based on the weight of the laundry, the degree of soiling, and the hardness of the water in your local area. If you are not sure about the water hardness, contact your local water authority.
- Do not use detergent that tends to harden or solidify. This detergent may remain after the rinse cycle, blocking the drain outlet.

 **CAUTION**

When washing wool using the WOOL cycle, use only a neutral liquid detergent. Powdered detergent used with the WOOL cycle can remain on the laundry and discolor it.

Before you start

Use HE detergent only



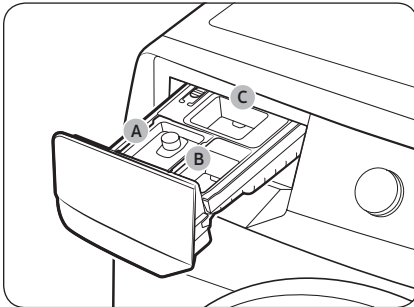
- For the best cleaning results, use a high efficiency detergent such as Tide HE, Wisk HE, Cheer HE or Gain HE*. High efficiency detergents contain suds suppressors that reduce or eliminate suds. When fewer suds are produced, the load tumbles more efficiently and cleaning is maximized. (* Brand names are trademarks of their respective manufacturers.)

⚠ WARNING

For best results, use HE detergents only. Do not use non-HE detergent, organic detergent, natural detergent or HE detergents with natural ingredients (such as vinegar, baking soda).

Detergent drawer guidelines

The washer provides a three-compartment dispenser: the front-left compartment for the main wash, the front-right for fabric softeners, and the rear-right for the liquid chlorine bleach.

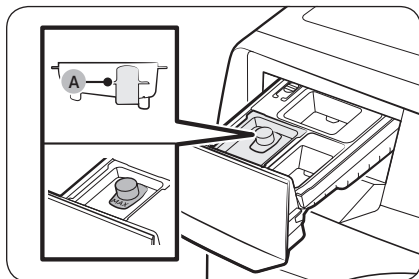


- A. Main-wash compartment:** Add main-wash detergent, water softener, soaking detergent, color-safe, and/or stain removers.
- B. Softener compartment:** Add fabric softener. Do not exceed the **max line**.
- C. Bleach compartment:** Add liquid chlorine bleach. Do not exceed the **max line**.

⚠ CAUTION

- Do not open the detergent drawer while the washer is operating.
- Do not put a tablet or capsule type detergents into the detergent drawer. Put them directly into the drum.
- Do not use a ball type detergent.
- To prevent the compartment from clogging, concentrated or highly-enriched agents (fabric softener or detergent) must be diluted with water before being added.

To add washing agents to the detergent drawer



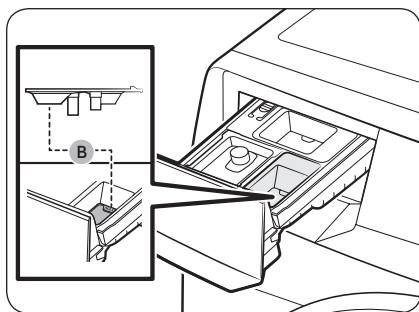
1. Slide open the detergent drawer.
2. Add liquid laundry detergent to the liquid detergent container in the main wash compartment.

⚠ CAUTION

- Make sure the liquid detergent container is inserted in the main wash compartment.
- Do not exceed the marked **max line (A)**.

📖 NOTE

- Do not add powdered laundry detergent or other powdered laundry agents to the liquid laundry container.
- To use powdered detergent, see page 31.



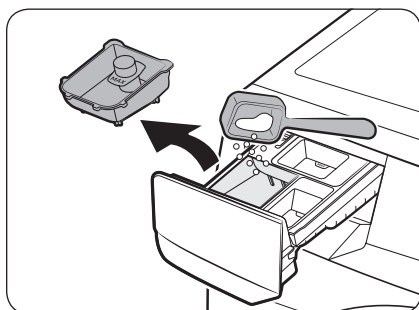
3. Add fabric softener to the **softener compartment**. Do not exceed the **max line (B)**.

⚠ CAUTION

- Powdered fabric softener is not recommended. Use liquid fabric softener only.
- Concentrated fabric softener must be diluted with water before being added.
- Do not add main-wash detergent to the **softener compartment**.

4. Close the detergent drawer.

To use powdered detergent



First, remove the provided liquid detergent container from the **main-wash compartment**. Then, add powdered detergent to the **main-wash compartment** according to the detergent manufacturer's instructions.

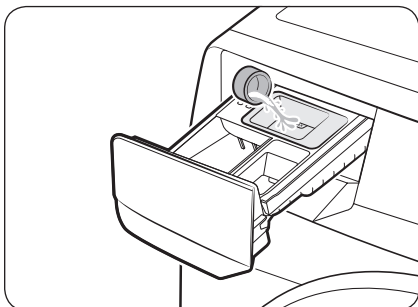
⚠ CAUTION

Do not add powdered detergent to the liquid detergent container.



Before you start

To use the bleach compartment

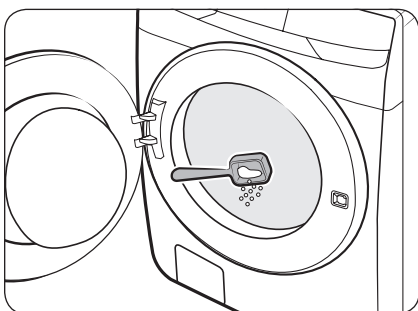


Add only liquid chlorine bleach to the **bleach compartment**. Do not exceed the **max line**.

⚠ CAUTION

Do not add undiluted liquid chlorine bleach directly to the load or to the drum. It is a powerful chemical and can cause fabric damage, such as weakening of the fibers or color loss if not used properly.

To use oxygen boosters or color-safe bleach



Oxygen boosters or color-safe bleach can increase washing performance. Make sure to add the oxygen booster or color-safe bleach after putting the laundry into the drum.

📖 NOTE

To use both powdered detergent and powdered oxygen booster or powdered color-safe bleach, it is more effective to put them together into the drum before loading the laundry.

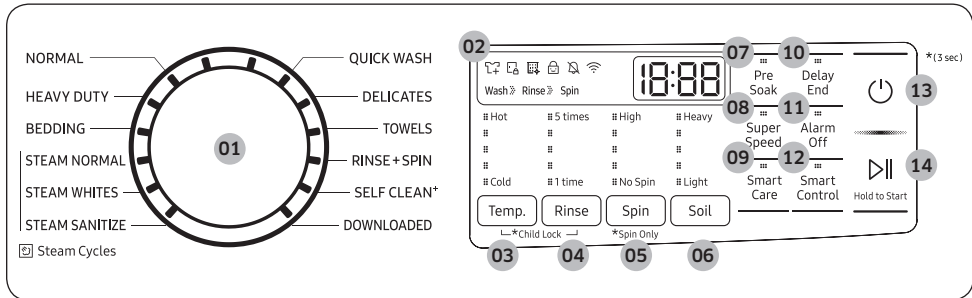


Operations

⚠ WARNING


To reduce the risk of fire, electric shock, or injury to persons, read the Safety information before operating this appliance.

Control panel









01 Cycle Selector	Turn the dial to select a cycle. (For more information about wash cycles, see page 36.)
02 Display	The display shows current cycle information and estimated time remaining, or an information code if the washer needs to be checked.
03 Temp.	Press to change the water temperature for the current cycle. <ul style="list-style-type: none"> • Hot (Level 5): Heavily soiled, colorfast items. Only available with NORMAL, HEAVY DUTY, STEAM SANITIZE and SELF CLEAN+. • (Level 4): Whites and heavily soiled, colorfast items. • (Level 3): Colorfast items. • (Level 2): Brightly colored, very lightly soiled items. • Cold (Level 1): Uses only cold water without utilizing the washer's heater. No warm water is supplied.
04 Rinse	Press to change the rinse count for the current cycle. <ul style="list-style-type: none"> • You can select 0 to 5 rinses. (No rinse : All indicators are off)

Operations

<p>05 Spin</p>	<p>Press to change the spinning speed for the current cycle.</p> <ul style="list-style-type: none"> • High (Level 5): Extends the spinning process to effectively remove moisture from the load. This level uses a stronger spinning process to remove moisture, so it is not suitable for wrinkle-free or non-iron fabrics, or overloads. • (Level 4): Underwear, t-shirts, jeans, and sturdy cottons. • (Level 3): Jeans, wrinkle-free or wash-and-wear items, and synthetics. • (Level 2): Delicate items that require a lower spinning speed. • No Spin (Level 1): The drum does not spin after the final drain process. <p>Rinse hold (All indicators are off): The final rinse process is suspended so that the laundry remains in the water. To unload the laundry, run a drain or spin process.</p> <p> NOTE</p> <p>Spin Only: To perform the spin process only, press and hold Spin for 3 seconds. With the cycle time on the display, press Spin repeatedly until a desired spinning speed is selected. Then, press and hold Start/Pause (Hold to Start) to start.</p>
<p>06 Soil</p>	<p>Press to change the soil level for the current cycle.</p> <ul style="list-style-type: none"> • Heavy (Level 5): For extremely soiled loads. • (Level 4): For heavily soiled loads. • (Level 3): For moderately soiled loads. This setting is best for most loads. • (Level 2): For lightly soiled loads. • Light (Level 1): For barely soiled loads.
<p>07 Pre Soak</p>	<p>Press to add 30 minutes of soaking time at the start of the wash cycle for better stain removal.</p>
<p>08 Super Speed</p>	<p>Press this button if you need to shorten the washing time, applicable for NORMAL, HEAVY DUTY, BEDDING or STEAM WHITES. The shortened time may differ depending on the selected cycle/load/options.</p>
<p>09 Smart Care</p>	<p>This function enables you to check the status of the washer using a smartphone.</p>
<p>10 Delay End</p>	<p>Set the washer to finish your wash automatically at later time. Choose a delay of between 1 to 24 hours (in 1 hour increments). (For more information about Delay End, see page 40.)</p>
<p>11 Alarm Off</p>	<p>Press to turn the alarm sound on or off. When the alarm is off, the cycle completion melody and the power-off beep will not sound. However, button and alert sounds will remain on.</p>

12 Smart Control	After connecting the washer to your home network using the SmartThings app, you can control the washer remotely. When started, the Smart Control indicator blinks and the front door locks. The washer enters waiting mode and waits for remote commands. (For more information about Smart Control, visit the SmartThings app page.)
13 Power	Press to turn the washer on or off.
14 Start/Pause (Hold to Start)	Press and hold to start operation or press to stop operation temporarily.

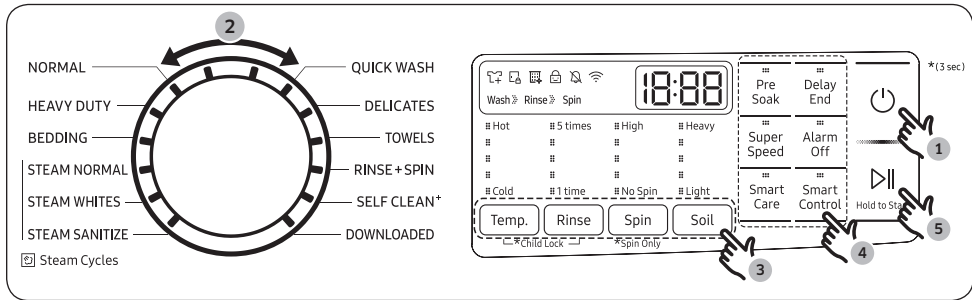
Icon description

	Garment+	<ul style="list-style-type: none"> This icon indicates you can add or take out items after a cycle has started. To add or take out items, press Start/Pause (Hold to Start) to pause the cycle, and then open the door. To resume the cycle, close the door, and then press and hold Start/Pause (Hold to Start).
	Door Lock	<ul style="list-style-type: none"> This icon indicates the door is locked and cannot be opened. The door locks automatically during a cycle and this indicator turns on. You can open the door when this icon disappears.
	SELF CLEAN+ reminder	<ul style="list-style-type: none"> This icon indicates that you should clean the drum using the SELF CLEAN+ cycle. After every 40 cycles, this icon appears for an hour and then turns off automatically. The icon will appear for 5 more cycles, turn off, and then will not appear for another 40 cycles.
	Child Lock	<ul style="list-style-type: none"> This icon indicates that Child Lock is on. For more information on Child Lock, see page 41.
	Alarm Off	<ul style="list-style-type: none"> This icon indicates that the alarm is off. For more information on Alarm Off, see page 41.
	Wi-Fi	<ul style="list-style-type: none"> This icon indicates that the washer is connected to Wi-Fi.



Operations

Simple steps to start



1. Press **Power** to turn on the washer.
2. Turn the **Cycle Selector** to select a cycle.
3. Change the cycle settings (**Temp.**, **Rinse**, **Spin**, and **Soil**) as necessary.
4. Select desired options as necessary.
5. Press and hold **Start/Pause (Hold to Start)**.

To change the cycle during operation

1. Press **Start/Pause (Hold to Start)** to stop operation.
2. Select a different cycle.
3. Press and hold **Start/Pause (Hold to Start)** again to start the new cycle.

WARNING

Do not place anything on top of your washer while it is running.

Cycle overview

NOTE

The washer detects the weight of the items and automatically adjusts the optimal water level, washing time, rinse counts, and spin counts. (This may not be applicable on some cycles.)

Cycle	Description
NORMAL	<ul style="list-style-type: none"> • For cottons, bed linens, table linens, underwear, towels, or shirts. The washing time and the number of rinses are automatically adjusted according to the load.
HEAVY DUTY	<ul style="list-style-type: none"> • For sturdy, colorfast fabrics and heavily soiled items.
BEDDING	<ul style="list-style-type: none"> • For bulky items such as comforters, blankets, and sheets. • For best results, wash only 1 type of bedding. • For bulky items, use liquid detergent and do not roll the items in the drum because they might get stuck in the drum.



Cycle	Description
QUICK WASH	<ul style="list-style-type: none"> For lightly soiled items that you want to finish washing quickly. For best performance, recommended load is 4 lb (2.0 kg) or lower.
DELICATES	<ul style="list-style-type: none"> For sheer fabrics, bras, lingerie (silk), and other handwash-only fabrics. For best performance, use liquid detergent.
TOWEL	<ul style="list-style-type: none"> For bath towels and similar items.
RINSE+SPIN	<ul style="list-style-type: none"> Features an additional rinse process after fabric softener is applied to the laundry.
SELF CLEAN⁺	<ul style="list-style-type: none"> Cleans the drum by removing dirt and bacteria from the drum. Perform once every 40 washes. Make sure the drum is empty.
DOWNLOADED	<ul style="list-style-type: none"> Select to choose from more cycles available on the SmartThings app on your smartphone. Factory setting: ACTIVEWEAR
STEAM NORMAL	<ul style="list-style-type: none"> For washing everyday garments with steam.
STEAM WHITES	<ul style="list-style-type: none"> For white items. You can wash with or without bleach.
STEAM SANITIZE	<ul style="list-style-type: none"> For colourfast fabrics and heavily soiled laundry, this cycle heats the supplied water over 60 °C to clean deeply. If you stop running the cycle while the washer is heating the water, the door remains locked for your safety.

Operations

Cycle chart

Use this chart to set the best cycle and options for your laundry.

 NOTE

Setting	Temp.	Rinse	Spin	Soil
● : factory setting	5 : Hot (Level 5)	5 : 5 times (Level 5)	5 : High (Level 5)	5 : Heavy (Level 5)
○ : can be selected	4 : (Level 4)	4 : (Level 4)	4 : (Level 4)	4 : (Level 4)
	3 : (Level 3)	3 : (Level 3)	3 : (Level 3)	3 : (Level 3)
	2 : (Level 2)	2 : (Level 2)	2 : (Level 2)	2 : (Level 2)
	1 : Cold (Level 1)	1 : 1 time (Level 1)	1 : No spin (Level 1)	1 : Light (Level 1)

Cycle	Functions									
	Temp.					Rinse				
	5	4	3	2	1	5	4	3	2	1
NORMAL	○	○	●	○	○	○	○	○	●	○
HEAVY DUTY	○	●	○	○	○	○	○	○	●	○
BEDDING			●	○	○	○	○	○	●	○
QUICK WASH		○	●	○	○	○	○	○	○	●
DELICATES			○	○	●			○	●	○
TOWEL		○	●	○	○	○	○	○	●	○
RINSE+SPIN						○	○	○	○	●
SELF CLEAN ⁺	●								●	
STEAM NORMAL		●				○	○	○	●	○
STEAM WHITES		●				○	○	○	●	○
STEAM SANITIZE	●					○	○	○	●	○

Cycle	Functions									
	Spin					Soil				
	5	4	3	2	1	5	4	3	2	1
NORMAL	<input type="radio"/>	<input checked="" type="radio"/>	<input type="radio"/>		<input type="radio"/>	<input type="radio"/>	<input type="radio"/>	<input checked="" type="radio"/>	<input type="radio"/>	<input type="radio"/>
HEAVY DUTY	<input checked="" type="radio"/>	<input type="radio"/>	<input type="radio"/>	<input type="radio"/>	<input type="radio"/>	<input checked="" type="radio"/>	<input type="radio"/>	<input type="radio"/>	<input type="radio"/>	<input type="radio"/>
BEDDING			<input type="radio"/>	<input checked="" type="radio"/>	<input type="radio"/>	<input type="radio"/>	<input type="radio"/>	<input checked="" type="radio"/>	<input type="radio"/>	<input type="radio"/>
QUICK WASH	<input checked="" type="radio"/>	<input type="radio"/>	<input type="radio"/>	<input type="radio"/>	<input type="radio"/>	<input type="radio"/>	<input type="radio"/>	<input type="radio"/>	<input type="radio"/>	<input checked="" type="radio"/>
DELICATES			<input checked="" type="radio"/>	<input type="radio"/>	<input type="radio"/>	<input type="radio"/>	<input type="radio"/>	<input checked="" type="radio"/>	<input type="radio"/>	<input type="radio"/>
TOWEL	<input type="radio"/>	<input checked="" type="radio"/>	<input type="radio"/>	<input type="radio"/>	<input type="radio"/>	<input type="radio"/>	<input type="radio"/>	<input checked="" type="radio"/>	<input type="radio"/>	<input type="radio"/>
RINSE+SPIN	<input type="radio"/>	<input checked="" type="radio"/>	<input type="radio"/>	<input type="radio"/>	<input type="radio"/>					
SELF CLEAN ⁺	<input checked="" type="radio"/>									
STEAM NORMAL	<input type="radio"/>	<input checked="" type="radio"/>	<input type="radio"/>	<input type="radio"/>	<input type="radio"/>	<input type="radio"/>	<input type="radio"/>	<input checked="" type="radio"/>	<input type="radio"/>	<input type="radio"/>
STEAM WHITES	<input type="radio"/>	<input checked="" type="radio"/>	<input type="radio"/>	<input type="radio"/>	<input type="radio"/>	<input type="radio"/>	<input type="radio"/>	<input checked="" type="radio"/>	<input type="radio"/>	<input type="radio"/>
STEAM SANITIZE	<input type="radio"/>	<input checked="" type="radio"/>	<input type="radio"/>	<input type="radio"/>	<input type="radio"/>	<input type="radio"/>	<input type="radio"/>	<input checked="" type="radio"/>	<input type="radio"/>	<input type="radio"/>

Cycle	Options	
	Pre Soak	Super Speed
NORMAL	<input type="radio"/>	<input type="radio"/>
HEAVY DUTY	<input type="radio"/>	<input type="radio"/>
BEDDING	<input type="radio"/>	<input type="radio"/>
QUICK WASH		
DELICATES		
TOWEL	<input type="radio"/>	
RINSE+SPIN		
SELF CLEAN ⁺		
STEAM NORMAL	<input type="radio"/>	
STEAM WHITES	<input type="radio"/>	<input type="radio"/>
STEAM SANITIZE	<input type="radio"/>	



Operations

Special features

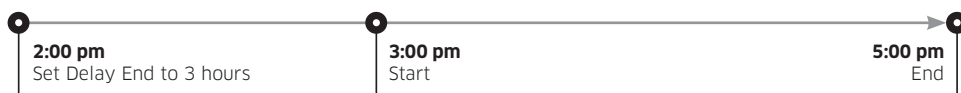
Delay End

You can set the washer to finish your wash automatically at a later time by choosing a delay of between 1 to 24 hours (in 1 hour increments). The hour displayed indicates the time the wash will finish.

1. Select a cycle. Then, change the cycle settings if necessary.
2. Press **Delay End** repeatedly until a desired end time is set.
3. Press and hold **Start/Pause (Hold to Start)**.
4. To cancel Delay End, restart the washer by pressing **Power**.

Real-life case

You want to finish a two-hour cycle 3 hours from now. To do this, you add the Delay End option to the current cycle with a 3-hour setting, and then press and hold **Start/Pause (Hold to Start)** at 2:00 pm. The washer starts operating at 3:00 pm and ends at 5:00 pm. Provided below is the time line for this example.



ATC (Auto Temperature Control)

ATC enables the washer to control water temperatures in each washing cycle using the internal thermistor. It is designed to maintain certain washing temperatures for best results.

NOTE

- If you select **NORMAL** or **HEAVY DUTY**, you may notice the washer supplying cold water. This is normal because the machine is designed to reduce power consumption. In these cycles, the water temperature for Level 5 is similar to bath-water temperatures, and Level 3 is similar to comfortable swimming pool temperatures.
- To wash clothes at a specific temperature, you must choose a different cycle first.



Child Lock

The Child Lock function locks the washer door to prevent children from climbing into and suffocating inside the drum.

To activate Child Lock

- Press and hold both **Temp.** and **Rinse** for 3 seconds. Then, press and hold **Start/Pause (Hold to Start)** to activate. The door locks, and the Child Lock indicator turns on.

To deactivate Child Lock temporarily

- You can deactivate Child Lock temporarily for 1 minute. To do this, press and hold both **Temp.** and **Rinse** for 3 seconds. The door is unlocked for 1 minute and the Child Lock indicator blinks.

NOTE

- If you open the door 1 minute after deactivating Child Lock, an alarm sounds for up to 2 minutes.
- If you close the door within 2 minutes, the door locks and Child Lock is reactivated. If you do not close the door or the door is not properly closed, the alarm keeps sounding for 2 minutes.
- To add laundry after activating Child Lock, deactivate Child Lock or restart the washer.

To cancel Child Lock

- Press and hold both **Temp.** and **Rinse** for 6 seconds. The door unlocks, and the Child Lock indicator turns off.

Alarm Off

You can turn the alarm sound on or off. When the alarm is off, the cycle completion melody and the power-off beep will not sound. However, the other sounds stay active.

- Press **Alarm Off** to turn the alarm on or off.
- Your setting will be kept even after you turn off and then restart the appliance.

DOWNLOADED cycle

You can choose from more cycles available on the SmartThings app on your smartphone.

1. On your smartphone, select the **DOWNLOADED** cycle.
2. Press **Power** on your washer.
3. Turn the **Cycle Selector** to **DOWNLOADED**.
4. Press and hold **Start/Pause (Hold to Start)**.



Operations

SmartThings

Wi-Fi connection

On your smartphone, go to **Settings** and turn on the wireless connection and select an AP (Access Point).

- This appliance supports the Wi-Fi 2.4 GHz protocols.

Download

On an app market (Google Play Store, Apple App Store, Samsung Galaxy Apps), find the SmartThings app by searching for “SmartThings”. Download and install the app on your device.

NOTE

The app is subject to change without notice for improved performance.

Log in

You must first log into SmartThings with your Samsung account. To create a new Samsung account, follow the instructions on the app. You don't need a separate app to create your account.

NOTE

If you have a Samsung account, use the account to log in. A registered Samsung smartphone user automatically logs in.

To register your appliance to SmartThings

1. Make sure your smartphone is connected to a wireless network. If not, go to **Settings** and turn on the wireless connection and select an AP (Access Point).
2. Open **SmartThings** on your smartphone.
3. If a message of “**A new device is found.**”, select **Add**.
4. If no message appears, select **+** and select your appliance in a list of devices available. If your appliance is not listed, select **Device Type** > **Specific Device Model**, and then add your appliance manually.
5. Register your appliance to the SmartThings app as follows.
 - a. Add your appliance to SmartThings. Make sure your appliance is connected to SmartThings.
 - b. When registration is complete, your appliance appears on your smartphone.

If you're moving out, we recommend you completely wipe the appliance and do a network reset on it before you leave it behind.

If you're moving in, the easiest way to take control and remove the previous user's access is to add it to SmartThings yourself. But if you don't plan on using SmartThings, a network reset should be performed to protect your privacy. In rental properties, there's a regular change of ownership. To ensure resident privacy, Wi-Fi and/or other connectivity settings should be reset at each change of resident. Please refer to factory reset instructions in this manual.



Maintenance

Keep the washer clean for best performance and to lengthen its life cycle.

WARNING

Certain internal parts are intentionally not grounded and may present a risk of electric shock only during servicing. Service personnel – Do not contact the following parts while the appliance is energized: Control board, heat sink, motor, inlet valve and pump.

Self Clean⁺

Certain usage and environmental conditions may result in some residue build-up or odor in the washer drum. To prevent this build-up of residue or odor causing bacteria and keep your washer drum fresh and clean, perform the SELF CLEAN⁺ cycle at least once a month or every 40 cycles. Perform the recommended procedure below when using the SELF CLEAN⁺ cycle.

1. Remove all items from the washer drum and ensure the drum is empty. Laundry left in the drum during the SELF CLEAN⁺ cycle may be damaged.
2. Press **Power** to turn on the washer.
3. Turn the **Cycle Selector** to **SELF CLEAN⁺**.
4. Press and hold **Start/Pause (Hold to Start)**.

NOTE

- The water temperature for SELF CLEAN⁺ is defaulted to Hot. This temperature cannot be changed.
- In the case where residue is present in the washer drum, add liquid chlorine bleach to the MAX level line in the main-wash compartment before starting the SELF CLEAN⁺ cycle. Do not add the liquid chlorine bleach to the bleach compartment (This is only the case for SELF CLEAN⁺ cycle).
- Do not exceed the max line. Do not use or mix any other detergent or chemicals during the SELF CLEAN⁺ cycle. If necessary, run a RINSE+SPIN cycle after the SELF CLEAN⁺ cycle has completed to help remove any remaining residue.

CAUTION

If there is chlorine bleach left in the washer drum for an extended period of time, rust can occur.

SELF CLEAN⁺ reminder

- After 40 washing cycles, the SELF CLEAN⁺ LED reminder icon and the SELF CLEAN⁺ cycle LED will blink on the control panel for an hour and then turn off automatically.
- The reminder will appear on the control panel for 5 additional consecutive cycles before turning off. The next reminder will not appear until another 40 cycles have been completed.

Maintenance

Smart Care

To enable this function, you must first download the Samsung Laundry app from the Play Store or the App Store and install it on a mobile device that has a camera function. The Smart Care function has been optimized for Galaxy and iPhone mobile devices (applicable models only).

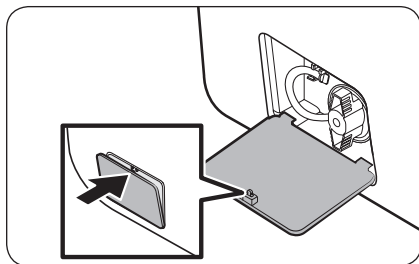
1. When the washer detects an issue to check, an information code appears on the display. To enter Smart Care mode, press **Smart Care**.
2. The washer starts the self-diagnosis procedure and displays an information code if a problem is detected.
3. Run the Samsung Laundry app on your mobile device, and then tap **Smart Care**.
4. Put the mobile device close to the washer's display so that the smartphone camera and the washer face each other. The information code will be recognized automatically by the app.
5. When the information code is recognized correctly, the app provides detailed information about the problem with applicable solutions.

NOTE

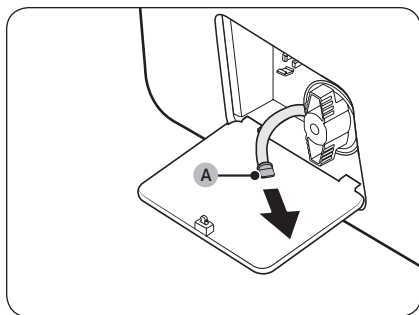
- The function name, Smart Care, may differ depending on the language.
- If the washer's display reflects light, the app may fail to recognize the information code.
- If the app fails to recognize the information code, you can enter the code manually on the app.

Emergency drain

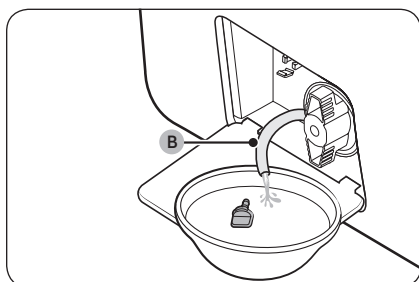
In case of a power failure, drain the water inside the drum before taking out the laundry.



1. Turn off the washer, and then unplug the power cord.
2. Gently press the top area of the **filter cover** to open.



3. Put an empty, spacious container around the cover, and stretch the **emergency drain tube** to the container while holding the **tube cap (A)**.



4. Open the **tube cap** and let water in the **Emergency drain tube (B)** flow into the container.
5. When done, close the **tube cap**, and reinsert the tube. Then, close the **filter cover**.

NOTE

Use a spacious container because the water in the drum may be more than expected.

Maintenance

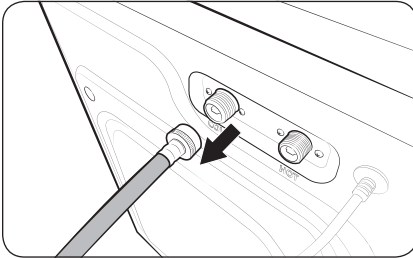
Cleaning

Surface of the washer

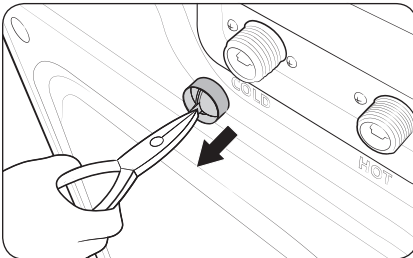
Use a soft cloth with a nonabrasive household cleaner. Do not spray water onto the washer.

Mesh filter

Clean the mesh filter of the water hose once or twice a year.



1. Turn off the washer, and then unplug the power cord.
2. Close the water tap.
3. Loosen and disconnect the water hoses from the back of the washer. Cover the end of each hose with a cloth or towel to prevent water from gushing out.



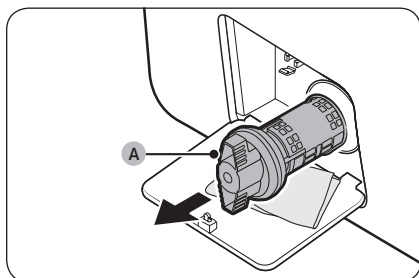
4. Use pliers to pull out the mesh filter from the inlet valves.
5. Thoroughly clean the mesh filters in water.
6. Completely dry the mesh filters. Do not dry in direct sunlight.
7. Reinsert the mesh filters, and then reconnect the water hoses.
8. Open the water taps.

NOTE

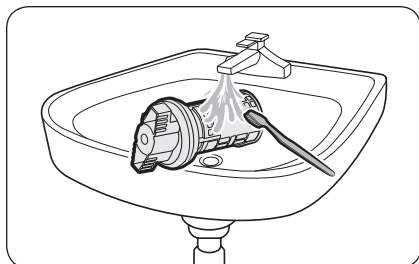
If a mesh filter is clogged, the “4C” information code appears on the washer’s display screen.

Pump filter

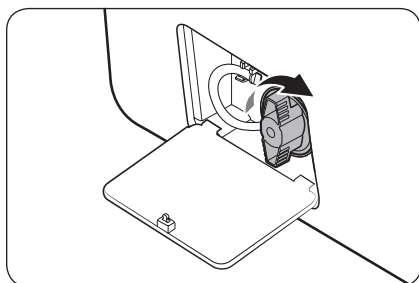
You should clean the pump filter 5 or 6 times a year to prevent it from clogging.



1. Turn off the washer, and then unplug the power cord.
2. Gently press the top area of the **filter cover** to open.
3. Drain the remaining water inside the drum. See the **Emergency drain** section on page 45.
4. Turn the **pump filter knob (A)** counterclockwise, and then drain the remaining water.



5. Clean the **pump filter** using a soft brush. While the pump filter is removed, make sure the impeller inside the drain pump is free of debris.
6. Reinsert the **pump filter**, and then turn the filter knob clockwise.
7. Close the **filter cover**.



NOTE

- Some pump filters feature a safety knob that is designed to prevent children from accidentally opening the filter compartment. To open the safety knob of the **pump filter**, push in and turn it counterclockwise. The spring mechanism of the safety knob helps open the filter.
- To close the safety knob of the **pump filter**, turn it clockwise. The spring makes a rattling sound, which is normal.
- Before closing the **filter cover**, make sure the **pump filter** is properly inserted.



Maintenance

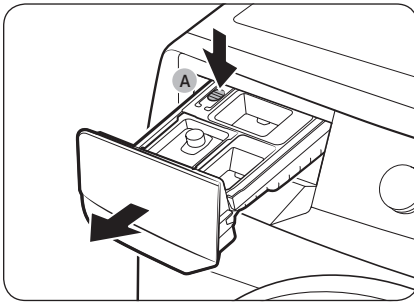
NOTE

If the pump filter is clogged, the “5C” information code appears on the washer’s display screen.

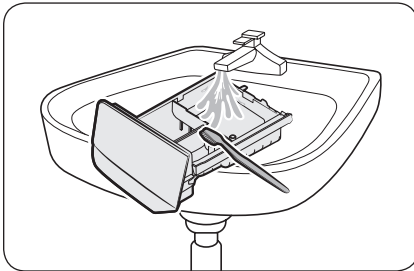
CAUTION

- Make sure the filter knob is closed properly after cleaning the filter. Otherwise, this may cause a leak.
- Make sure the filter is inserted properly after cleaning it. Otherwise, this may cause an operational failure or a leak.

Detergent drawer



1. Open the drawer.
2. While holding down the **release lever (A)**, remove the drawer.
3. Remove the **liquid detergent container** from the drawer.

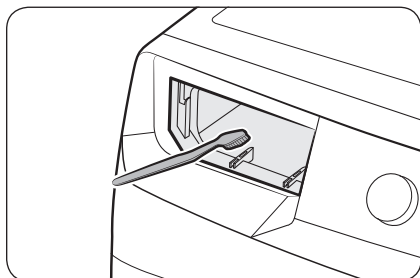


4. Clean the drawer components in running water using a soft brush.

NOTE

Other parts of the drawer can also be removed. They can fall out if you hold the drawer upside down.





5. Clean the drawer recess using a soft brush.
6. Reinsert the **liquid detergent container** into the detergent drawer.
7. Slide the drawer into the drawer recess, and then push it inward until it is fully closed.

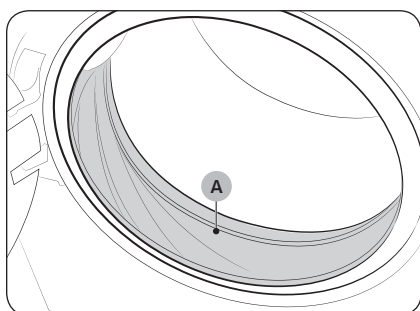
 **NOTE**

To remove remaining detergent, run the **RINSE+SPIN** cycle with the drum empty.

 **CAUTION**

Do not spray water into the detergent drawer recess. It may cause electronic shock or fire. Unplug power if necessary.

Door diaphragm



1. Open the door, and then empty the drum.
2. Combine 3/4 cups of liquid chlorine bleach and 1 gallon of warm tap water.
3. Wearing rubber gloves, use a soft, clean cloth dipped in the water and bleach solution to clean the diaphragm.
4. Let stand 5 minutes, and then wipe up and dry well.

 **CAUTION**

Use bleach carefully and be sure to follow the bleach manufacturer's use and care instructions.



Maintenance

Recovery from freezing

The washer may freeze when the temperature in its location drops below 32 °F (0 °C).

1. Turn off the washer, and then unplug the power cord.
2. Pour warm water over the water tap to loosen the water hose.
3. Disconnect the water hose, and then soak it in warm water.
4. Pour warm water into the drum and leave it for about 10 minutes.
5. Reconnect the water hose to the water tap.

NOTE

If the washer still doesn't operate normally, repeat the steps above.

Care for an extended period of non-use

Avoid leaving the washer unused for an extended time. However, if you intend to leave the washer unused for a long period of time, follow the directions below:

1. Press **Power**, and then turn the **Cycle Selector** to **RINSE+SPIN**.
2. Empty the drum, and then press and hold **Start/Pause (Hold to Start)**.
3. When the cycle is complete, close the water taps and disconnect the water hoses.
4. Turn off the washer, and then unplug the power cord.
5. Open the door to let air circulate through the drum.

Cleaning the exterior

1. Turn off the water taps after finishing the day's washing.
This will shut off the water supply to your washer and prevent the unlikely possibility of damage from escaping water. Leave the door open to allow the inside of your washer to dry out.
2. Use a soft cloth to wipe up all detergent, bleach, or other spills as they occur. Clean the following as recommended below:
 - Control Panel – Clean with a soft, damp cloth. Do not use abrasive powders or cleaning pads. Do not spray cleaners directly on the panel.
 - Cabinet – Clean with soap and water.

Cleaning the interior

Clean the interior of your washer periodically to remove any dirt, soil, odor, mold, mildew, or bacterial residue that may remain in your washer as a result of washing clothes.

CAUTION

Failure to follow these instructions may result in unpleasant conditions, including odors and/or permanent stains on your washer or laundry.

NOTE

Hard water deposits may be removed, if needed. Use a cleaner labeled "Washer safe".



Troubleshooting

Checkpoints

If you encounter a problem with the washer, first check the table below and try the suggestions.

Problem	Action
Does not start.	<ul style="list-style-type: none">• Make sure the washer is plugged in.• Make sure the door is properly closed.• Make sure the faucets are open.• Make sure to press or tap Start/Pause (Hold to Start) to start the washer.• Make sure Child Lock is not activated.• Before the washer starts to fill, it will make a series of clicking noises to check the door lock and does a quick drain.• Check the fuse or reset the circuit breaker.
Water supply is insufficient, or no water is supplied.	<ul style="list-style-type: none">• Fully open the faucet.• Make sure the door is properly closed.• Make sure the water supply hose is not frozen.• Make sure the water supply hose is not kinked or clogged.• Make sure there is sufficient water pressure.
After a cycle, detergent remains in the detergent drawer.	<ul style="list-style-type: none">• Make sure the washer is running with sufficient water pressure.• Make sure you add liquid detergent to the liquid detergent container. Make sure to remove the liquid detergent container if you are using powdered detergent.• Clean the detergent drawer.
Excessive vibrations or makes noise.	<ul style="list-style-type: none">• Make sure the washer is installed on a level, solid floor that is not slippery. If the floor is not level, use the leveling feet to adjust the height of the washer.• Make sure the shipping bolts are removed.• Make sure the washer is not contacting any other object.• Make sure the laundry load is balanced.• The motor can cause noise during normal operation.• Overalls or metal-decorated clothes can cause noise while being washed. This is normal.• Metal objects such as coins can cause noise. After washing, remove these objects from the drum or filter case.• Remove the filling of the pillows and cushions, and wash only the covers.

Troubleshooting

Problem	Action
<p>Does not drain and/ or spin.</p>	<ul style="list-style-type: none"> • Make sure the drain hose is neither kinked nor obstructed all the way to the drain system. If there is a drain restriction, call for service. • Make sure the debris filter is not clogged. • Close the door and press or tap Start/Pause (Hold to Start). For your safety, the washer will not tumble or spin unless the door is closed. • Make sure the drain hose is not frozen or clogged. • Make sure the drain hose is connected to a drain system that is not clogged. • If the washer is not supplied with sufficient power, the washer temporarily will not drain or spin. As soon as the washer regains sufficient power, it will operate normally. • Make sure the drain hose is inserted 6 to 8 inches inside the drain pipe. • Make sure the washer is level.
<p>The door does not open.</p>	<ul style="list-style-type: none"> • Press or tap Start/Pause (Hold to Start) to stop the washer. • It may take a few moments for the door lock mechanism to disengage. • Make sure all the water in the drum is drained. • The door may not open if water remains in the drum. Drain the drum and open the door manually. • Make sure the door lock light is off. The door lock light turns off after the washer has drained. • If the washer is paused after the water is supplied, the door cannot be opened until one minute has passed. If draining occurs followed by the information code on the display, the door will not open until 3 minutes after the washer has stopped or the power is turned off. • The door does not open if you have unplugged the power cord while the product was operating. <ul style="list-style-type: none"> - Plug the power cord and turn on the power. Then, deactivate Child Lock if necessary, and then press and hold Start/Pause (Hold to Start) to stop the operation.
<p>Excessive suds.</p>	<ul style="list-style-type: none"> • Make sure you use the recommended types and amounts of detergent. • Use high efficiency (HE) detergent to prevent oversudsing. • Reduce the detergent amount for soft water, small loads, or lightly soiled loads. • Don't use Non-HE detergent.

Problem	Action
Cannot add additional detergent.	<ul style="list-style-type: none"> • Make sure the remaining amount of detergent and fabric softener is not over the limit.
The washer stops.	<ul style="list-style-type: none"> • Plug the power cord into a live electrical outlet. • Check the fuse or reset the circuit breaker. • Close the door and press Start/Pause (Hold to Start) to start the washer. For your safety, the washer will not tumble or spin unless the door is closed. • Before the washer starts to fill, it will make a series of clicking noises to check the door lock and does a quick drain. • There may be a pause or soak period in the cycle. Wait briefly and the washer may start. • Make sure the mesh filter of the water supply hose at the faucets is not clogged. Periodically clean the mesh filter. • If the washer is not supplied with sufficient power, the washer temporarily will not drain or spin. As soon as the washer regains sufficient power, it will operate normally.
Fills with the wrong temperature water.	<ul style="list-style-type: none"> • Fully open both taps. • Make sure the temperature selection is correct. • Make sure the hoses are connected to the correct taps. Flush water lines. • Make sure your water heater is set to supply hot water with a minimum temperature of 120 °F (49 °C) at the tap. Also, check the water heater capacity and recovery rate. • Disconnect the hoses and clean the mesh filters. The mesh filters may be clogged. • While the washer fills, the water temperature may change as the automatic temperature control feature checks incoming water temperature. This is normal. • While the washer fills, you may notice just hot and/or just cold water going through the dispenser when cold or warm temperatures are selected. This is a normal function of the automatic temperature control feature as the washer determines the water temperature.
The load is wet at the end of a cycle.	<ul style="list-style-type: none"> • Use the High or Extra High spin speed. • Use high efficiency (HE) detergent to reduce oversudsing. • The load is too small. Small loads (one or two items) may become unbalanced and not spin completely. • Make sure the drain hose is not kinked or clogged.



Troubleshooting

Problem	Action
Leaks water.	<ul style="list-style-type: none"> • Make sure the door is properly closed. • Make sure all hose connections are tight. • Make sure the end of the drain hose is correctly inserted and secured to the drain system. • Avoid overloading. • Use high efficiency (HE) detergent to prevent oversudsing.
Has odors.	<ul style="list-style-type: none"> • Excessive suds collect in recesses and can cause foul odors. • Run cleansing cycles to sanitize periodically. • Clean the door seal (diaphragm). • Dry the washer interior after a cycle has finished.
After a cycle, washer is not off and/or the door does not open.	<ul style="list-style-type: none"> • If the SELF CLEAN⁺ indicator is on, remove all items from the drum, and then run the SELF CLEAN⁺ cycle.

If a problem persists, contact a local Samsung service center.



Information codes

If the washer fails to operate, you may see an information code on the screen. Check the table below and try the suggestions.

Code	Action
1C	<p>Check the water level sensor.</p> <ul style="list-style-type: none"> Power the washer off. Wait 2-3 minutes, power the washer on, and then try again. Depending on the model, the drain system may drain water automatically. The Power and Start/Pause (Hold to Start) buttons may be disabled during this process.
DC	<p>The door is open.</p> <ul style="list-style-type: none"> Close the door and press Start/Pause (Hold to Start) to resume operation.
DC1	<p>Check the door switch.</p> <ul style="list-style-type: none"> Power the washer off. Wait 2-3 minutes, power the washer on, and then try again.
LC	<p>Check for water leaks.</p> <ul style="list-style-type: none"> Power the washer off, and then check the drain system for any leaks. Once the leak issue is resolved, power the washer on. Depending on the model, the drain system may drain water automatically. The Power and Start/Pause (Hold to Start) buttons may be disabled during this process.
4C	<p>Check the water supply line.</p> <ul style="list-style-type: none"> Check the connection to the water lines (including water taps). Power the washer off. Wait 2-3 minutes, power the washer on, and then try again. Depending on the model, the drain system may drain water automatically. The Power and Start/Pause (Hold to Start) buttons may be disabled during this process.
4C2	<p>Laundry needs protection because the water being supplied is too hot.</p> <ul style="list-style-type: none"> Make sure the cold and hot water taps are properly connected. Power the washer off. Wait 2-3 minutes, power the washer on, and then try again.
5C	<p>Check the drain system.</p> <ul style="list-style-type: none"> Make sure the drain filter is not clogged. If the drain filter is clogged, clean the filter, and then restart the washer.
HC	<p>Check the washing heater.</p> <ul style="list-style-type: none"> Power off the washer, and then contact a Samsung service center.



Troubleshooting

Code	Action
UB	<p>Check the spinning process.</p> <ul style="list-style-type: none"> The load may not be balanced inside the drum. Check the drum and make sure the load is balanced. Press Start/Pause (Hold to Start) to resume operation or power the washer off, wait 2-3 minutes, power the washer on, and then try again.
8C, 8C1, 8C2	<p>Check the MEMS sensor.</p> <ul style="list-style-type: none"> Power the washer off. Wait 2-3 minutes, power the washer on, and then try again.
OC	<p>Water may overflow.</p> <ul style="list-style-type: none"> Close the water valve and call for service.
3C	<p>Check the motor.</p> <ul style="list-style-type: none"> Power the washer off. Wait 2-3 minutes, power the washer on, and then try again.
AC6	<p>Check the PBA communication status.</p> <ul style="list-style-type: none"> Power the washer off. Wait 2-3 minutes, power the washer on, and then try again.
9C1, 9C2	<p>The electronic control needs to be checked.</p> <ul style="list-style-type: none"> Check if power is supplied properly. If the information code remains, contact a Samsung service center.
SF	<p>System failed.</p> <ul style="list-style-type: none"> Power off the washer, and then contact a Samsung service center.

If any information code keeps appearing on the screen, contact a local Samsung service center.



Specifications

Fabric care chart

The following symbols provide garment care direction. The clothing care labels include symbols for drying, bleaching, drying and ironing, or dry cleaning when necessary. The use of symbols ensures consistency among garment manufacturers of domestic and imported items. Follow care label directions to optimize garment life and reduce laundering problems.

Wash cycle

	Normal
	Permanent press/Wrinkle resistant/Wrinkle control
	Gentle/Delicates
	Hand wash

Water temperature

	Hot
	Warm
	Cold

NOTE

The temperature range for Hot is 135 °F (57 °C) or below, 95 °F (35 °C) or below for Warm, and 68 °F (20 °C) or below for Cold. Wash water temperature must be a minimum of 60 °F (16 °C) for detergent activation and effective cleaning.

Bleach

	Any bleach (when needed)
	Only non-chlorine (color-safe) bleach (when needed)
	Tumble dry

Normal

	Permanent press/Wrinkle resistant/Wrinkle control
	Gentle/Delicates

Special instructions

	Line dry/Hang to dry
	Drip dry
	Dry flat

Heat setting

	High
	Medium
	Low
	Any heat
	No heat / Air

Iron dry or steam temperatures

	High
	Medium
	Low



Specifications

Warning symbols for laundering

	Do not wash
	Do not wring
	Do not bleach
	Do not tumble dry
	No steam (added to iron)
	Do not iron

Dry-clean

	Dry-clean
	Do not dry-clean
	Line dry/Hang to dry
	Drip dry
	Dry flat

Protecting the environment

- This appliance is manufactured from recyclable materials. If you decide to dispose of it, please observe local waste disposal regulations. Cut off the power cord so that the appliance cannot be connected to a power source. Remove the lid so that animals and small children cannot get trapped inside the appliance.
- Do not exceed the detergent quantities recommended in the detergent manufacturers' instructions.
- Use stain removal products and bleaches before the wash cycle only when necessary.
- Save water and electricity by only washing full loads (the exact amount depends upon the program used).

Declaration of conformity

This appliance complies with UL2157.



Specification sheet

Type		Front loading washer	
		WF50BG83**A*	
Water pressure (psi (kPa))		20-116 (137-800)	
NET weight (lb (kg))		216 (98.0)	
Spin revolution		1200 rpm	
Heating Rating		900 W	
Power consumption	Washing	120 V	200 W
	Washing and Heating		1150 W
	Spin		550 W
	Drain		80 W

English

LIMITED WARRANTY (U.S.A.)

SAMSUNG WASHER

LIMITED WARRANTY TO ORIGINAL CONSUMER PURCHASER WITH PROOF OF PURCHASE

This SAMSUNG brand product, as supplied and distributed by SAMSUNG ELECTRONICS AMERICA, INC. (SAMSUNG) and delivered new, in the original carton to the original consumer purchaser, is warranted by SAMSUNG against manufacturing defects in materials or workmanship for the limited warranty period, starting from the date of original purchase, of:

- One (1) year parts and labor,
- Three (3) years stainless tub part (Part Only),
- Ten (10) years washing DD motor part (Part Only)

This limited warranty is valid only on products purchased and used in the United States that have been installed, operated, and maintained according to the instructions attached to or furnished with the product. To receive warranty service, the purchaser must contact SAMSUNG at the address or phone number provided below for problem determination and service procedures. Warranty service can only be performed by a SAMSUNG authorized service center. The original dated bill of sale must be presented upon request as proof of purchase to SAMSUNG or SAMSUNG's authorized service center to receive warranty service.

SAMSUNG will provide in-home service within the contiguous United States during the warranty period at no charge, subject to availability of SAMSUNG authorized servicers within the customer's geographic area. If in-home service is not available, SAMSUNG may elect, at its option, to provide transportation of the product to and from an authorized service center. If the product is located in an area where service by a SAMSUNG authorized servicer is not available, you may be responsible for a trip charge or required to bring the product to a SAMSUNG authorized service center for service.

To receive in-home service, product must be unobstructed and accessible to the service agent.

During the applicable warranty period, a product will be repaired, replaced, or the purchase price refunded, at the sole option of SAMSUNG. SAMSUNG may use new or reconditioned parts in repairing a product, or replace the product with a new or reconditioned product. Replacement parts and products are warranted for the remaining portion of the original product's warranty or ninety (90) days, whichever is longer. All replaced parts and products are the property of SAMSUNG and you must return them to SAMSUNG.

This limited warranty covers manufacturing defects in materials or workmanship encountered in normal household, noncommercial use of this product and shall not cover the following: damage that occurs in shipment, delivery, installation, and uses for which this product was not intended; damage caused by unauthorized modification or alteration of the product; product where the original factory serial numbers have been removed, defaced, changed in any way, or cannot be readily determined; cosmetic damage including scratches, dents, chips, and other damage to the product's finishes; damage caused by abuse, misuse, pest infestations, accident, fire, floods, or other acts of nature or God; damage caused by use of equipment, utilities, services, parts, supplies, accessories, applications, installations, repairs, external wiring or connectors not supplied or authorized by SAMSUNG; damage caused by incorrect electrical line current, voltage, fluctuations and surges; damage caused by failure to operate and maintain the product according to instructions; in-home instruction on how to use your product; and service to correct installation not in accordance with electrical or plumbing codes or correction of household electrical or plumbing (i.e., house wiring, fuses, or water inlet hoses). The cost of repair or replacement under these excluded circumstances shall be the customer's responsibility.

Visits by an authorized servicer to explain product functions, maintenance or installation are not covered by this limited warranty. Please contact SAMSUNG at the number below for assistance with any of these issues.

EXCLUSION OF IMPLIED WARRANTIES

IMPLIED WARRANTIES, INCLUDING THE IMPLIED WARRANTIES OF MERCHANTABILITY OR FITNESS FOR A PARTICULAR PURPOSE, ARE LIMITED TO ONE YEAR OR THE SHORTEST PERIOD ALLOWED BY LAW.

Some states do not allow limitations on how long an implied warranty lasts, so the above limitations or exclusions may not apply to you. This warranty gives you specific rights, and you may also have other rights, which vary from state to state.

LIMITED WARRANTY (U.S.A.)

LIMITATION OF REMEDIES

YOUR SOLE AND EXCLUSIVE REMEDY IS PRODUCT REPAIR, PRODUCT REPLACEMENT, OR REFUND OF THE PURCHASE PRICE AT SAMSUNG'S OPTION, AS PROVIDED IN THIS LIMITED WARRANTY. SAMSUNG SHALL NOT BE LIABLE FOR SPECIAL, INCIDENTAL OR CONSEQUENTIAL DAMAGES, INCLUDING BUT NOT LIMITED TO TIME AWAY FROM WORK, HOTELS AND/OR RESTAURANT MEALS, REMODELING EXPENSES, LOSS OF REVENUE OR PROFITS, FAILURE TO REALIZE SAVINGS OR OTHER BENEFITS REGARDLESS OF THE LEGAL THEORY ON WHICH THE CLAIM IS BASED, AND EVEN IF SAMSUNG HAS BEEN ADVISED OF THE POSSIBILITY OF SUCH DAMAGES. Some states do not allow exclusion or limitation of incidental or consequential damages, so the above limitations or exclusions may not apply to you. This warranty gives you specific rights, and you may also have other rights, which vary from state to state.

SAMSUNG does not warrant uninterrupted or error-free operation of the product. No warranty or guarantee given by any other person, firm, or corporation with respect to this product shall be binding on SAMSUNG.

To obtain warranty service, please contact SAMSUNG at:

Samsung Electronics America, Inc.

85 Challenger Road

Ridgefield Park, NJ 07660

1-800-SAMSUNG (726-7864)

www.samsung.com/us/support

Warranty (CANADA)

SAMSUNG WASHER

LIMITED WARRANTY TO ORIGINAL PURCHASER

This SAMSUNG brand product, as supplied and distributed by SAMSUNG ELECTRONICS CANADA, INC. (SAMSUNG) and delivered new, in the original carton to the original consumer purchaser, is warranted by SAMSUNG against manufacturing defects in materials and workmanship for a limited warranty period of:

One (1) year part and labor, Ten (10) years washing DD motor (Part only)

This limited warranty begins on the original date of purchase, and is valid only on products purchased and used in the Canada. To receive warranty service, the purchaser must contact SAMSUNG for problem determination and service procedures. Warranty service can only be performed by a SAMSUNG authorized service center. The original dated bill of sale must be presented upon request as proof of purchase to SAMSUNG or SAMSUNG's authorized service center. SAMSUNG will provide in-home service during the warranty period at no charge, subject to availability within the Canada. In-home service is not available in all areas.

To receive in-home service, product must be unobstructed and accessible to the service agent. If service is not available, SAMSUNG may elect to provide transportation of the product to and from an authorized service center.

SAMSUNG will repair, replace, or refund this product at our option and at no charge as stipulated herein, with new or reconditioned parts or products if found to be defective during the limited warranty period specified above. All replaced parts and products become the property of SAMSUNG and must be returned to SAMSUNG. Replacement parts and products assume the remaining original warranty, or ninety (90) days, whichever is longer. This limited warranty covers manufacturing defects in materials and workmanship encountered in normal, noncommercial use of this product and shall not apply to the following: damage that occurs in shipment; delivery and installation; applications and uses for which this product was not intended; altered product or serial numbers; cosmetic damage or exterior finish; accidents, abuse, neglect, fire, water, lightning, or other acts of nature or God; use of products, equipment, systems, utilities, services, parts, supplies, accessories, applications, installations, repairs, external wiring or connectors not supplied or authorized by SAMSUNG that damage this product or result in service problems; incorrect electrical line voltage, fluctuations and surges; customer adjustments and failure to follow operating instructions, maintenance and environmental instructions that are covered and prescribed in the instruction book; product removal and reinstallation; problems caused by pest infestations. This limited warranty does not cover problems resulting from incorrect electric current, voltage or supply, light bulbs, house fuses, house wiring, cost of a service call for instructions, or fixing installation errors. SAMSUNG does not warranty uninterrupted or error-free operation of the product.

EXCEPT AS SET FORTH HEREIN, THERE ARE NO WARRANTIES ON THIS PRODUCT EITHER EXPRESS OR IMPLIED, AND SAMSUNG DISCLAIMS ALL WARRANTIES INCLUDING, BUT NOT LIMITED TO, ANY IMPLIED WARRANTIES OF MERCHANTABILITY, INFRINGEMENT OR FITNESS FOR A PARTICULAR PURPOSE.

Warranty (CANADA)

NO WARRANTY OR GUARANTEE GIVEN BY ANY PERSON, FIRM, OR CORPORATION WITH RESPECT TO THIS PRODUCT SHALL BE BINDING ON SAMSUNG. SAMSUNG SHALL NOT BE LIABLE FOR LOSS OF REVENUE OR PROFITS, FAILURE TO REALIZE SAVINGS OR OTHER BENEFITS, OR ANY OTHER SPECIAL, INCIDENTAL OR CONSEQUENTIAL DAMAGES CAUSED BY THE USE, MISUSE, OR INABILITY TO USE THIS PRODUCT, REGARDLESS OF THE LEGAL THEORY ON WHICH THE CLAIM IS BASED, AND EVEN IF SAMSUNG HAS BEEN ADVISED OF THE POSSIBILITY OF SUCH DAMAGES.

NOR SHALL RECOVERY OF ANY KIND AGAINST SAMSUNG BE GREATER IN AMOUNT THAN THE PURCHASE PRICE OF THE PRODUCT SOLD BY SAMSUNG AND CAUSING THE ALLEGED DAMAGE. WITHOUT LIMITING THE FOREGOING, PURCHASER ASSUMES ALL RISK AND LIABILITY FOR LOSS, DAMAGE, OR INJURY TO PURCHASER AND PURCHASER'S PROPERTY AND TO OTHERS AND THEIR PROPERTY ARISING OUT OF THE USE, MISUSE, OR INABILITY TO USE THIS PRODUCT. THIS LIMITED WARRANTY SHALL NOT EXTEND TO ANYONE OTHER THAN THE ORIGINAL PURCHASER OF THIS PRODUCT, IS NONTRANSFERABLE AND STATES YOUR EXCLUSIVE REMEDY.

Some provinces do not allow limitations on how long an implied warranty lasts, or the exclusion or limitation of incidental or consequential damages, so the above limitations or exclusions may not apply to you.

This warranty gives you specific rights, and you may also have other rights, which vary from province to province.

To obtain warranty service, please contact SAMSUNG at:

Samsung Electronics Canada Inc.

2050 Derry Road West,

Mississauga, Ontario L5N 0B9 Canada

1-800-SAMSUNG (726-7864)

www.samsung.com/ca/support (English)

www.samsung.com/ca_fr/support (French)

FAX : 1-866-436-4617

Visits by a Service Engineer to explain functions, maintenance, or installation are not covered by warranty.

Please contact your Samsung call agent for help with any of these issues.

Memo

Memo

Memo

SAMSUNG



Scan the QR code* or visit
www.samsung.com/spsn
to view our helpful
How-to Videos and Live Shows

*Requires reader to be installed on your smartphone

Scan this with your smartphone

QUESTIONS OR COMMENTS?

COUNTRY	CALL	OR VISIT US ONLINE AT
U.S.A	1-800-SAMSUNG (726-7864)	www.samsung.com/us/support
CANADA	1-800-SAMSUNG(726-7864)	www.samsung.com/ca/support (English) www.samsung.com/ca_fr/support (French)



DC68-04355B-00



Lave-linge

Manuel d'utilisation

WF50BG83**A*

SAMSUNG



Sommaire

Consignes de sécurité	4
Remarques importantes sur les consignes de sécurité	4
Symboles de sécurité importants	4
Consignes de sécurité importantes	5
AVERTISSEMENT CONCERNANT LA PROPOSITION 65 DE L'ÉTAT DE CALIFORNIE	5
Avertissements importants concernant l'installation	6
Mises en garde pour l'installation	7
Avertissements importants concernant l'utilisation	8
Mises en garde concernant l'utilisation	9
Avertissements importants concernant le nettoyage	12
Notification de réglementation	13
Avis concernant la FCC	13
Notification IC	14
Annonce de logiciel open source	15
Installation	16
Déballage de votre lave-linge	16
Ce qui est inclus	17
Conditions d'installation	19
Installation étape par étape	23
Avant de démarrer	28
Paramètres initiaux	28
Instructions de lavage	28
Instructions relatives au tiroir à lessive	30
Opérations	33
Panneau de commande	33
Étapes simples pour commencer	37
Présentation des cycles	38
Tableau des cycles	39
Fonctions spéciales	42
SmartThings	44



Maintenance	45
Auto-nettoyage ⁺	45
Smart Care	46
Vidange d'urgence	47
Nettoyage	48
Reprise du fonctionnement après du gel	52
Mesures en cas de période d'inutilisation prolongée	52
Nettoyer l'extérieur	52
Nettoyer l'intérieur	53
Dépannage	54
Contrôles	54
Codes d'erreur	58
Caractéristiques techniques	60
Tableau des symboles textiles	60
Protection de l'environnement	61
Déclaration de conformité	61
Fiche de caractéristiques techniques	62



Consignes de sécurité

Félicitations pour l'achat de votre nouveau lave-linge Samsung. Ce manuel contient de précieuses informations concernant l'installation, l'utilisation et l'entretien de votre appareil. Prenez le temps de le lire afin de tirer pleinement profit de tous les avantages et les fonctionnalités qu'offre votre lave-linge.

Remarques importantes sur les consignes de sécurité

Veuillez lire attentivement ce manuel afin d'utiliser cet appareil en toute sécurité et de profiter pleinement de toutes ses fonctionnalités. Conservez ce manuel dans un endroit sûr situé à proximité de l'appareil afin de pouvoir facilement vous y reporter en cas de besoin. N'utilisez pas cet appareil autrement que pour l'usage auquel il est destiné, conformément aux consignes du manuel.

Les consignes de sécurité et les avertissements décrits dans ce manuel ne sont pas exhaustifs. Il est de votre responsabilité de faire preuve de bon sens, de prudence et de discernement lors de l'installation, de l'entretien et de l'utilisation de votre lave-linge.

Ces consignes d'utilisation couvrant plusieurs modèles, il se peut que les caractéristiques de votre lave-linge diffèrent légèrement de celles décrites dans ce manuel ; ainsi, certaines icônes d'avertissement peuvent ne pas s'appliquer à votre lave-linge. Pour toute question, contactez votre centre de réparation le plus proche ou connectez-vous sur www.samsung.com.

Symboles de sécurité importants

Signification des icônes et signes repris dans ce manuel d'utilisation :

AVERTISSEMENT

Risques ou pratiques inadéquates susceptibles de causer **des blessures corporelles graves voire mortelles et/ou des dommages matériels.**

ATTENTION

Risques ou pratiques inadéquates susceptibles de causer **des blessures corporelles et/ou des dommages matériels.**

REMARQUE

Indique la présence d'un risque de blessures ou de dommages matériels

Ces symboles d'avertissement ont pour but d'éviter tout risque de blessure corporelle.

Respectez-les en toutes circonstances.

Lisez attentivement ce manuel et conservez-le en lieu sûr afin de pouvoir le consulter ultérieurement.

Lisez attentivement toutes les consignes avant d'utiliser l'appareil.

Comme avec tout équipement électrique ou comportant des parties mobiles, il existe un certain nombre de dangers potentiels. Pour utiliser cet appareil en toute sécurité, familiarisez-vous avec son fonctionnement et restez prudent lorsque vous l'employez.

CONSERVEZ SOIGNEUSEMENT CES CONSIGNES



Consignes de sécurité importantes

AVERTISSEMENT

Afin de réduire les risques d'incendie, d'électrocution ou de blessures physiques lors de l'utilisation de l'appareil, des précautions de base doivent être prises :

1. Lisez attentivement toutes les consignes avant d'utiliser l'appareil.
2. Ne lavez et ne faites sécher aucun article ayant été en contact de quelque manière que ce soit (nettoyage, lavage, trempage ou tache) avec de l'essence, des solvants de nettoyage à sec ou toute autre substance inflammable ou explosive. Ces substances dégagent en effet des vapeurs qui risquent de s'enflammer ou d'exploser.
3. Ne laissez pas les enfants jouer sur ou dans l'appareil. Une surveillance attentive s'impose lorsque l'appareil est utilisé à proximité d'enfants.
4. Avant la mise hors service ou au rebut de l'appareil, retirez le hublot du compartiment de lavage ou de séchage.
5. Ne tentez pas d'ouvrir l'appareil lorsque le tambour est en mouvement.
6. N'installez et n'entrez jamais cet appareil dans un endroit exposé aux intempéries.
7. Ne jouez pas avec les commandes de l'appareil.
8. Ne procédez pas à la réparation ou au remplacement des pièces de l'appareil et ne tentez pas non plus de le réparer vous-même, sauf si le manuel d'entretien ou de réparation contient des recommandations spécifiques en la matière que vous comprenez et êtes en mesure d'exécuter.
9. N'ajoutez jamais d'essence, de solvant de nettoyage à sec ou d'autres substances inflammables ou explosives dans l'eau du lave-linge. Ces substances dégagent en effet des vapeurs qui risquent de s'enflammer ou d'exploser.
10. Dans certaines conditions, de l'hydrogène peut être dégagé dans les systèmes d'eau chaude qui n'ont pas été utilisés depuis au moins 2 semaines. L'HYDROGÈNE EST UN GAZ EXPLOSIF. Si votre réseau d'eau chaude n'a pas été utilisé pendant au moins deux semaines, ouvrez tous les robinets d'eau chaude de votre maison et laissez l'eau couler plusieurs minutes avant d'utiliser votre lave-linge ou votre lave-linge/sèche-linge combiné. Cela permettra d'éliminer l'éventuelle accumulation d'hydrogène. L'hydrogène étant un gaz inflammable ; ne fumez pas et ne créez aucune flamme ni étincelle pendant cette opération.

AVERTISSEMENT CONCERNANT LA PROPOSITION 65 DE L'ÉTAT DE CALIFORNIE

AVERTISSEMENT

Risque de cancer ou de troubles de la reproduction - www.P65Warnings.ca.gov.

CONSERVEZ SOIGNEUSEMENT CES CONSIGNES



Consignes de sécurité

Avertissements importants concernant l'installation

AVERTISSEMENT

L'installation de cet appareil doit être effectuée par un technicien qualifié ou une société de réparation.

- Le non-respect de cette consigne peut entraîner une électrocution, un incendie, une explosion, des problèmes avec l'appareil ou des blessures.

Cet appareil étant très lourd, prenez toutes les précautions nécessaires pour le soulever.

Branchez le câble d'alimentation à une prise électrique murale qui est conforme aux spécifications électriques locales. Utilisez la prise uniquement pour cet appareil et n'utilisez pas de rallonge.

- Le fait de partager une prise murale avec d'autres appareils à l'aide d'une multiprise ou d'une rallonge peut entraîner une électrocution ou un incendie.
- Assurez-vous que la tension, la fréquence et le courant disponibles correspondent à ceux inscrits sur les spécifications de l'appareil. Le non-respect de cette consigne peut entraîner une électrocution ou un incendie. Branchez correctement le cordon d'alimentation dans la prise murale.

Éliminez régulièrement toute eau, poussière ou corps étranger des prises murales et zones de contact à l'aide d'un chiffon sec.

- Débranchez le cordon d'alimentation et nettoyez-le à l'aide d'un chiffon sec.
- Le non-respect de cette consigne peut entraîner une électrocution ou un incendie.

Branchez la prise d'alimentation dans la prise murale de sorte que le cordon touche le sol.

- Si vous branchez le cordon d'alimentation dans l'autre sens, les fils électriques à l'intérieur du câble pourront être endommagés, entraînant un risque d'électrocution ou d'incendie.

Conservez tous les matériaux d'emballage hors de la portée des enfants car ils pourraient être dangereux.

- Un enfant risque de s'étouffer s'il se met un sac plastique sur la tête.

Si l'appareil, la prise ou le cordon d'alimentation est endommagé(e), contactez le centre de réparation le plus proche.

Cet appareil doit être correctement mis à la terre.

Ne reliez pas le conducteur de terre de l'appareil à un tuyau de gaz, un tuyau de canalisation en plastique ou une ligne téléphonique.

- Risques d'électrocution, d'incendie, d'explosion ou de dysfonctionnement.
- Ne branchez jamais le cordon d'alimentation sur une prise qui n'est pas correctement mise à la terre. Assurez-vous que la prise est conforme aux réglementations locales et nationales.

N'installez jamais cet appareil près d'un radiateur ou de matériaux inflammables.

N'installez pas cet appareil dans un endroit humide, huileux ou poussiéreux, dans un endroit exposé à la lumière directe du soleil ou à l'eau (de pluie).

CONSERVEZ SOIGNEUSEMENT CES CONSIGNES



N'installez pas cet appareil dans une pièce exposée à de basses températures.

- Le gel risquerait de faire éclater les tuyaux.

N'installez pas l'appareil dans un lieu où une fuite de gaz est susceptible de se produire.

- Cela pourrait entraîner une électrocution ou un incendie.

N'utilisez pas de transformateur électrique pour alimenter le lave-linge.

- Cela pourrait entraîner une électrocution ou un incendie.

N'utilisez pas de prise ou de cordon d'alimentation endommagé(e) ou de prise murale mal fixée.

- Cela pourrait entraîner une électrocution ou un incendie.

Ne tirez pas et ne pliez pas le cordon d'alimentation excessivement.

Ne vrillez pas et n'attachez pas le cordon d'alimentation.

N'accrochez pas le cordon d'alimentation sur un objet métallique, ne posez pas d'objet lourd sur le cordon d'alimentation, ne l'insérez pas entre des objets et ne le coinciez pas dans l'espace situé derrière l'appareil.

- Cela pourrait entraîner une électrocution ou un incendie.

Ne tirez pas sur le cordon d'alimentation pour le débrancher.

- Débranchez le cordon en tirant la prise.
- Le non-respect de cette consigne peut entraîner une électrocution ou un incendie.

L'appareil doit être positionné de telle manière que la prise de courant, les robinets d'arrivée d'eau et les tuyaux d'évacuation restent accessibles en permanence.

Mises en garde pour l'installation

ATTENTION

Cet appareil doit être positionné de façon à permettre l'accès à la prise d'alimentation.

- Le non-respect de cette consigne peut entraîner une électrocution en cas de fuite de courant.

Installez l'appareil sur un sol plan et solide, capable de supporter son poids.

- Le non-respect de cette consigne peut entraîner des vibrations, des mouvements et des bruits anormaux ou des problèmes avec l'appareil.

CONSERVEZ SOIGNEUSEMENT CES CONSIGNES



Consignes de sécurité

Avertissements importants concernant l'utilisation

AVERTISSEMENT

En cas d'inondation, coupez immédiatement l'alimentation en eau et l'alimentation électrique et contactez votre centre de réparation le plus proche.

- Ne touchez pas la prise d'alimentation avec des mains mouillées.
- Vous risqueriez de vous électrocuter.

Si l'appareil émet des bruits anormaux ou dégage une odeur de brûlé ou de la fumée, débranchez-le immédiatement et contactez votre centre de réparation le plus proche.

- Le non-respect de cette consigne peut entraîner une électrocution ou un incendie.

En cas de fuite de gaz (propane, GPL, etc.), aérez immédiatement sans toucher à la prise d'alimentation. Ne touchez pas l'appareil ou le cordon d'alimentation.

- N'utilisez pas de ventilateur.
- Une étincelle peut entraîner une explosion ou un incendie.

Ne laissez pas les enfants jouer sur ou dans le lave-linge. Avant de vous mettre au rebut votre lave-linge, retirez la manette du hublot du lave-linge.

- Si des enfants venaient à être piégés à l'intérieur de l'appareil, ils risqueraient de s'asphyxier et d'en mourir.

Assurez-vous de retirer l'emballage (mousse, polystyrène) fixé au bas du lave-linge avant d'utiliser celui-ci.

Dans le lave-linge, ne lavez jamais de linge ayant été en contact avec de l'essence, du kérosène, du benzène, des diluants de peinture ou toute autre substance inflammable ou explosive.

- Risque d'électrocution, d'incendie ou d'explosion.

Ne forcez pas l'ouverture du hublot pendant le fonctionnement de l'appareil (lavage à haute température/séchage/essorage).

- Une fuite peut provoquer des brûlures ou rendre le sol glissant. Cela pourrait entraîner des blessures.
- L'ouverture forcée du hublot peut entraîner des dommages sur l'appareil ou des blessures.

N'insérez pas votre main sous le lave-linge lorsqu'il est en cours de fonctionnement.

- Cela pourrait entraîner des blessures.

Ne touchez pas la prise d'alimentation avec des mains mouillées.

- Cela pourrait entraîner une électrocution.

Ne débranchez pas l'appareil si celui-ci est en cours de fonctionnement.

- Le fait de rebrancher la prise d'alimentation dans la prise murale peut provoquer une étincelle et entraîner une électrocution ou un incendie.

Ne laissez pas les enfants monter dans ou sur l'appareil.

- Cela pourrait entraîner une électrocution, des brûlures ou des blessures.

CONSERVEZ SOIGNEUSEMENT CES CONSIGNES



N'insérez pas votre main ou un objet métallique sous le lave-linge pendant son fonctionnement.

- Cela pourrait entraîner des blessures.

Ne débranchez pas l'appareil en tirant le cordon d'alimentation. Tenez toujours fermement la prise et tirez-la tout droit de la prise murale.

- Un cordon d'alimentation endommagé risque de provoquer un court-circuit, un incendie et/ou une électrocution.

Ne tentez pas de réparer, de démonter ou de modifier l'appareil vous-même.

- N'utilisez pas de fusible (cuivre, fil d'acier, etc.) autre que le fusible standard.
- Lorsque l'appareil doit être réparé ou réinstallé, contactez votre centre de réparation le plus proche.
- Le non-respect de cette consigne peut entraîner une électrocution, un incendie, des problèmes avec l'appareil ou des blessures.

Si le tuyau d'arrivée d'eau se déconnecte du robinet et inonde l'appareil, débranchez le lave-linge.

- Le non-respect de cette consigne peut entraîner une électrocution ou un incendie.

Débranchez la prise d'alimentation lorsque l'appareil n'est pas utilisé pendant des périodes prolongées ou lors d'orages violents.

- Le non-respect de cette consigne peut entraîner une électrocution ou un incendie.

Si une substance étrangère pénètre dans l'appareil, débranchez-le et contactez votre service clientèle Samsung le plus proche.

- Cela pourrait entraîner une électrocution ou un incendie.

Ne laissez pas les enfants (ou les animaux domestiques) jouer sur ou dans votre lave-linge. Le hublot du lave-linge ne s'ouvre pas facilement de l'intérieur ; un enfant peut donc se blesser gravement s'il est enfermé dans l'appareil.

Mises en garde concernant l'utilisation

ATTENTION

Si le lave-linge est contaminé par des corps étrangers (ex. : détergent, saletés, déchets alimentaires etc.), débranchez-le et nettoyez-le à l'aide d'un chiffon doux humide.

- À défaut, une décoloration, une déformation, des dommages ou de la rouille peuvent apparaître.

La vitre du hublot peut être endommagée par un impact fort. Utilisez le lave-linge avec précaution.

- Si la vitre du hublot est endommagée, il existe un risque de blessure.

Après une interruption d'arrivée d'eau ou en rebranchant le tuyau d'arrivée d'eau au robinet, ouvrez celui-ci lentement.

Ouvrez le robinet d'arrivée d'eau lentement après une période prolongée de non-utilisation.

- La pression d'air dans le tuyau d'arrivée d'eau ou la canalisation d'eau peut entraîner des dommages à certaines pièces ou une fuite d'eau.

CONSERVEZ SOIGNEUSEMENT CES CONSIGNES



Consignes de sécurité

En cas de vidange défectueuse durant un cycle, vérifiez s'il y a un problème de vidange.

- Si le lave-linge est utilisé pendant une inondation (problème de vidange), il existe un risque d'électrocution ou d'incendie.

Introduisez complètement le linge dans le lave-linge afin qu'il ne reste pas coincé dans le hublot.

- Si du linge reste coincé dans le hublot, il peut être endommagé, ainsi que le lave-linge, ou une fuite d'eau peut survenir.

Coupez l'alimentation en eau lorsque le lave-linge n'est pas en cours d'utilisation.

- Assurez-vous que les raccords du tuyau d'arrivée d'eau sont correctement serrés.

Veillez à ce que le joint en caoutchouc et la vitre du hublot ne soient pas contaminés par des substances étrangères (ex. : déchets, fils, cheveux, etc.).

- Si des substances étrangères sont prises dans le hublot ou si ce dernier est mal fermé, il existe un risque de fuite d'eau.

Ouvrez le robinet et vérifiez que les raccords des tuyaux d'arrivée d'eau sont fermement serrés et qu'il n'y a aucune fuite d'eau avant d'utiliser l'appareil.

- Si les raccords sur les tuyaux d'arrivée d'eau sont desserrés, une fuite peut se produire.

L'appareil que vous avez acheté est prévu pour une utilisation domestique uniquement.

L'utilisation à des fins professionnelles est considérée comme une utilisation non conforme de l'appareil. Si l'appareil est utilisé à des fins professionnelles, il ne sera pas couvert par la garantie standard prévue par Samsung et Samsung ne saura en aucun cas être tenu pour responsable en cas de dysfonctionnements ou dommages résultant d'une utilisation non conforme.

Ne montez pas sur l'appareil et ne placez pas d'objets (par exemple linge, bougies allumées, cigarettes allumées, vaisselle, produits chimiques, objets métalliques, etc.) sur l'appareil.

- Cela pourrait causer une électrocution, un incendie, des problèmes avec l'appareil ou des blessures.

Ne pulvérisez pas de matières volatiles telles que de l'insecticide sur la surface de l'appareil.

- En plus d'être nocives pour l'être humain, elles peuvent également entraîner une électrocution, un incendie ou des problèmes avec l'appareil.

Ne placez pas d'objets générant un champ électromagnétique à proximité du lave-linge.

- Ceci pourrait entraîner des blessures résultant de dysfonctionnements.

L'eau vidangée durant un cycle de séchage ou de lavage à haute température est chaude. Ne touchez pas cette eau.

- Cela pourrait entraîner des brûlures ou des blessures.

Ne lavez pas, n'essorez pas et ne séchez pas de sièges, de tapis ou de vêtements imperméables (*), sauf si votre appareil possède un cycle spécial pour ce genre d'articles.

CONSERVEZ SOIGNEUSEMENT CES CONSIGNES



(*) : linge de lit en laine, vêtements de pluie, vestes de pêche, pantalons de ski, sacs de couchage, protections de linge, vêtements de sudation, de cyclisme, de motocyclisme, bâches automobiles, etc.

- Ne lavez pas de tapis épais ou durs même s'ils portent le sigle de lave-linge sur leur étiquette d'entretien. Risque de vibrations anormales, de blessures ou de dégâts matériels (lave-linge, murs, sol ou linge).
- Ne lavez pas les lingettes jetables ou les paillasons ayant des dos en caoutchouc. Les dos en caoutchouc sont susceptibles de se détacher et d'adhérer à l'intérieur du tambour, ce qui pourrait entraîner un dysfonctionnement tel qu'une erreur de vidange.

Ne faites jamais fonctionner le lave-linge sans le tiroir à lessive.

- Ceci pourrait entraîner une électrocution ou des blessures résultant d'une fuite d'eau.

Ne touchez pas l'intérieur du tambour pendant ou juste après le séchage, car il est chaud.

- Cela pourrait entraîner des brûlures.

La vitre du hublot devient chaude pendant le lavage et le séchage. Par conséquent, ne touchez pas la vitre du hublot.

De même, ne laissez pas des enfants jouer autour du lave-linge ou toucher la vitre du hublot.

- Cela pourrait entraîner des brûlures.

N'insérez pas votre main dans le tiroir à lessive.

- Ceci pourrait entraîner des blessures si votre main reste bloquée par le système d'arrivée de lessive.
- N'utilisez pas le bac à lessive liquide (sur les modèles applicables uniquement) pour de la lessive en poudre. Retirez le bac et versez de la lessive en poudre directement dans le compartiment de lavage principal.

Ne placez pas d'objets (par exemple chaussures, déchets alimentaires, animaux) autres que du linge dans le lave-linge.

- Ceci pourrait endommager le lave-linge ou provoquer des vibrations anormales entraînant des blessures, voire la mort dans le cas d'animaux domestiques.

N'actionnez pas les boutons à l'aide d'objets tranchants tels que des aiguilles, des couteaux, les ongles etc.

- Cela pourrait entraîner une électrocution ou des blessures.

Ne lavez pas de linge entré en contact avec des huiles, crèmes ou lotions utilisées dans les salons de beauté ou de massage.

- Ceci pourrait provoquer une déformation du joint en caoutchouc, entraînant une fuite d'eau.

Ne laissez pas d'objets métalliques (ex. : épingles de sûreté, à cheveux, etc.) ou d'agent de blanchiment dans le tambour pendant des périodes prolongées.

- Ceci pourrait entraîner l'apparition de rouille sur le tambour.
- Si de la rouille commence à se former à la surface du tambour, appliquez un produit de nettoyage (neutre) et frottez à l'aide d'une éponge. N'utilisez jamais de brosse métallique.

N'utilisez pas directement de solvants de nettoyage à sec et ne lavez, ne rincez et n'essorez pas de linge entré en contact avec des solvants de nettoyage à sec.

- Risque de combustion ou d'inflammation spontanée résultant de la chaleur dégagée par l'oxydation de l'huile.

CONSERVEZ SOIGNEUSEMENT CES CONSIGNES

Consignes de sécurité

N'utilisez pas d'eau provenant d'appareils de refroidissement/de réchauffement d'eau.

- Ceci pourrait entraîner des dysfonctionnements du lave-linge.

N'utilisez pas de savon naturel pour les mains dans le lave-linge.

- Si le savon durcit ou s'accumule dans le lave-linge, il existe un risque de dysfonctionnement, de décoloration, d'oxydation ou de dégagement de mauvaises odeurs.

Placez les chaussettes et les soutiens-gorge dans un filet de lavage et lavez-les avec le reste du linge.

Ne lavez pas d'articles de grande taille tels que du linge de lit dans un filet de lavage.

- Dans le cas contraire, des vibrations anormales peuvent se produire et engendrer des blessures.

N'utilisez pas de détergent solidifié.

- S'il s'accumule dans le lave-linge, une fuite d'eau peut en résulter.

Assurez-vous que toutes les poches des vêtements à laver sont vides.

- Les objets durs et pointus, comme les pièces de monnaie, les épingles de sûreté, les clous, les vis ou les pierres, peuvent occasionner d'importants dégâts à l'appareil.

Évitez de laver dans le lave-linge des vêtements comportant de grandes boucles, des boutons ou d'autres accessoires en métal lourd.

Triez le linge par couleur en fonction de la solidité de la teinture et sélectionnez le cycle, la température de l'eau et les fonctions supplémentaires recommandés.

- En cas de non-respect de cette consigne, cela pourrait entraîner une décoloration ou une détérioration des tissus.

Veillez à ce que les doigts des enfants ne soient pas pris dans le hublot lorsque vous le fermez.

- Le non-respect de cette consigne peut entraîner des blessures.

Avertissements importants concernant le nettoyage

AVERTISSEMENT

Ne nettoyez pas l'appareil en pulvérisant directement de l'eau dessus.

N'utilisez pas de produit nettoyant acide agressif.

N'utilisez pas de benzène, de diluant ou d'alcool pour nettoyer l'appareil.

- Cela pourrait entraîner des décolorations, des déformations, des dommages, une électrocution ou un incendie.

Avant d'effectuer un nettoyage ou un entretien, débranchez le cordon d'alimentation de la prise murale.

- Le non-respect de cette consigne peut entraîner une électrocution ou un incendie.

CONSERVEZ SOIGNEUSEMENT CES CONSIGNES



Notification de réglementation

Avis concernant la FCC

ATTENTION

Tous les changements ou modifications non expressément approuvé(e)s par l'autorité responsable de la conformité à la réglementation peut annuler le droit de l'utilisateur à utiliser cet appareil.

Cet appareil est conforme aux dispositions de la section 15 du règlement de la FCC. Le fonctionnement est soumis aux deux conditions suivantes :

1. Cet appareil ne doit pas causer d'interférences nuisibles ; et
2. Cet appareil doit accepter toute autre interférence reçue, y compris les interférences pouvant entraîner un fonctionnement non désiré.

Pour les appareils vendus aux États-Unis et au Canada, seuls les canaux 1 à 11 sont disponibles. Vous ne pouvez pas sélectionner d'autres canaux.

DÉCLARATION DE LA FCC :

Cet équipement a été testé et s'est avéré conforme aux limites d'un dispositif numérique de classe B, conformément à la section 15 du règlement de la FCC. Ces limites sont conçues pour assurer la protection raisonnable contre des interférences nuisibles dans une installation résidentielle.

Cet appareil génère, utilise et peut émettre de l'énergie radio électrique et, s'il n'est pas installé et utilisé conformément aux instructions, peut provoquer des interférences nuisibles aux communications par signal radio. Cependant, il n'y a aucune garantie que des interférences ne se produiront pas dans une installation particulière. Si cet appareil cause des interférences nuisibles à la réception des signaux de radio ou de télévision, ce qui peut être déterminé en allumant et en éteignant l'appareil, l'utilisateur est encouragé à essayer de corriger l'interférence par une ou plusieurs des mesures suivantes :

- Réorienter ou déplacer l'antenne de réception
- Espacer davantage l'appareil du récepteur
- Brancher l'équipement sur la prise d'un circuit différent de celui de la radio ou de la télévision.
- Consulter le revendeur ou un technicien expérimenté en radio/télévision pour obtenir de l'aide.

DÉCLARATION DE LA FCC SUR L'EXPOSITION AUX RADIATIONS :

Cet appareil est conforme aux limitations prévues par la FCC pour l'exposition aux radiations dans le cadre d'un environnement d'accès libre. Cet appareil doit être installé et utilisé avec une distance minimale de 8 pouces (20 cm) entre le radiateur et votre corps. Ce dispositif et son(s) antenne(s) ne doivent pas être coimplantés ni utilisés à proximité d'une autre antenne ou émetteur.

CONSERVEZ SOIGNEUSEMENT CES CONSIGNES





Notification de réglementation

Notification IC

Le terme « IC » précédant le numéro d'homologation radio signifie uniquement que les spécifications techniques d'Industry Canada ont été respectées. Le fonctionnement est soumis aux deux conditions suivantes :

1. Cet appareil ne doit pas causer d'interférences ; et
2. Cet appareil doit accepter toute autre interférence, y compris les interférences pouvant entraîner un fonctionnement non désiré de l'appareil.

Cet appareil numérique de classe B est conforme à la norme ICES-003 du Canada.

Cet appareil numérique de classe B est conforme à la norme NMB-003 du Canada.

Pour les appareils vendus aux États-Unis et au Canada, seuls les canaux 1 à 11 sont disponibles. Vous ne pouvez pas sélectionner d'autres canaux.

DÉCLARATION D'IC SUR L'EXPOSITION AUX RADIATIONS :

Cet appareil est conforme aux limitations prévues par la norme IC RSS-102 pour l'exposition aux radiations dans le cadre d'un environnement d'accès libre. Cet appareil doit être installé et utilisé avec une distance minimale de 8 pouces (20 cm) entre le radiateur et votre corps. Ce dispositif et son(s) antenne(s) ne doivent pas être coimplantés ni utilisés à proximité d'une autre antenne ou émetteur.



CONSERVEZ SOIGNEUSEMENT CES CONSIGNES



Annonce de logiciel open source

Le logiciel inclus dans cet appareil contient un logiciel de source libre (open source). Vous pouvez obtenir l'intégralité du code source correspondant pour une période de trois ans après le dernier envoi de cet appareil en communiquant avec notre équipe d'assistance sur <http://opensource.samsung.com> (Veuillez utiliser le menu « Inquiry » (Demande).)

Il est également possible d'obtenir le code source complet correspondant sur un support physique, tel qu'un CD-ROM ; des frais minimum seront facturés.

L'URL suivante http://opensource.samsung.com/opensource/SMART_AT_051/seq/0 conduit à la page d'informations relatives à la licence open source pour cet appareil. Cette offre est valable pour toute personne ayant reçu ces informations.



REMARQUE

Par la présente, Samsung Electronics déclare que l'appareil de type matériel radio est conforme à la Directive 2014/53/EU. L'intégralité du texte de la déclaration de conformité de l'UE est disponible sur l'adresse Internet suivante : La Déclaration de conformité officielle est disponible sur <http://www.samsung.com> ; rendez-vous dans Support (Assistance) > Search Product Support (Rechercher une assistance produit) puis saisissez le nom du modèle.

Puissance maximale de l'émetteur Wi-Fi : 20 dBm entre 2,412 GHz et 2,472 GHz

CONSERVEZ SOIGNEUSEMENT CES CONSIGNES

Installation

Respectez attentivement ces instructions pour garantir une installation correcte de votre lave-linge et éviter tout accident lorsque vous faites la lessive.

⚠ AVERTISSEMENT

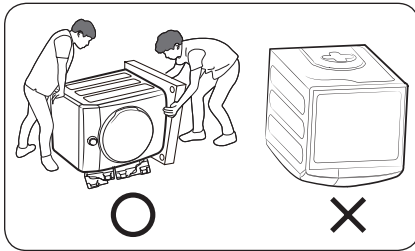
Certaines pièces sont intentionnellement non mises à la terre et peuvent présenter un risque d'électrocution uniquement lors d'une réparation. Technicien de maintenance – Ne touchez pas les pièces suivantes lorsque l'appareil est sous tension : panneau de commande, dissipateur thermique, moteur, vanne d'alimentation en eau et pompe.

Déballage de votre lave-linge

Déballiez votre lave-linge et vérifiez qu'il n'a pas été endommagé pendant le transport. Vérifiez que vous disposez de tous les éléments illustrés en page suivante. Si votre lave-linge a été endommagé pendant le transport ou si vous ne disposez pas de tous les éléments, appelez le 1-800-SAMSUNG (1-800-726-7864). Afin de prévenir tout risque de blessures, munissez-vous de gants de protection pour soulever ou porter le lave-linge.

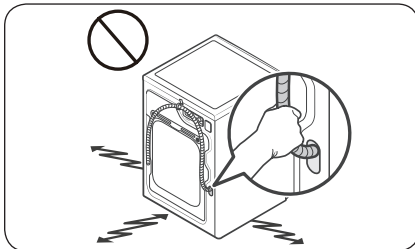
⚠ AVERTISSEMENT

Tenez tous les matériaux d'emballage (sacs plastique, polystyrène, etc.) hors de portée des enfants.



⚠ ATTENTION

Deux personnes minimum sont nécessaires pour déballer le lave-linge. Pour retirer le cache du bas des matériaux d'emballage, n'inclinez pas le lave-linge sur l'avant. Lorsque vous couchez le lave-linge sur le sol pour retirer le fond en carton, protégez le côté du lave-linge et déposez-le doucement. Ne posez jamais le lave-linge sur la façade avant ou arrière.

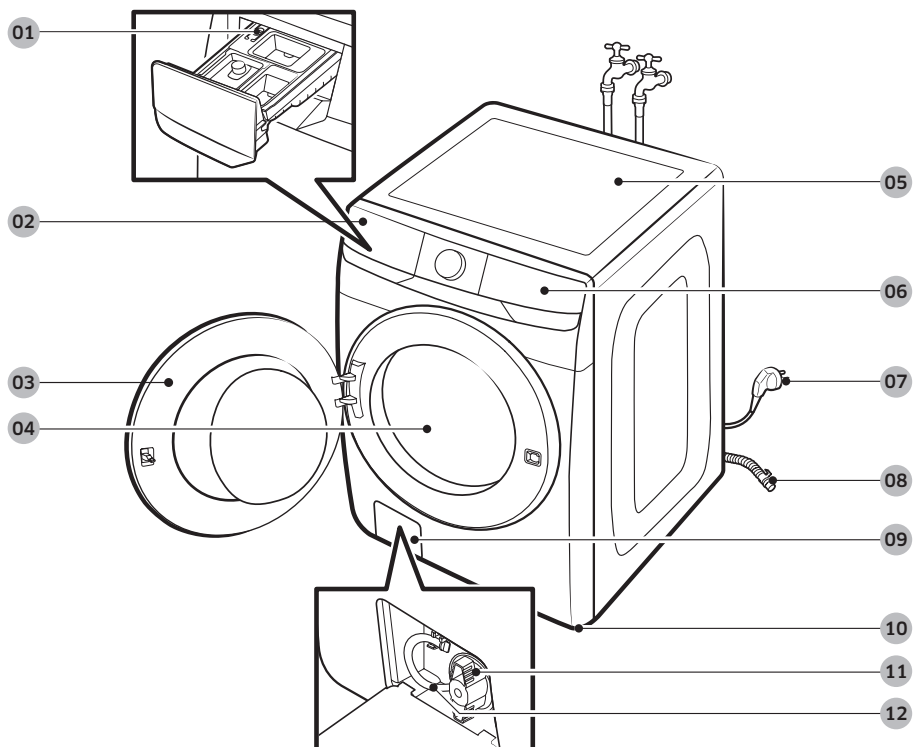


⚠ ATTENTION

Pour faire glisser l'appareil afin de le déplacer, n'attrapez pas et ne tirez pas sur le tuyau de vidange.

Ce qui est inclus

Assurez-vous que toutes les pièces sont incluses dans l'emballage de l'appareil. En cas de problème avec le lave-linge ou les pièces, prenez contact avec le centre d'assistance clientèle de Samsung au 1-800-SAMSUNG (1-800-726-7864) ou avec votre revendeur.



01 Manette d'ouverture

02 Tiroir à lessive

03 Hublot

04 Tambour

05 Dessus du lave-linge

06 Panneau de commande

07 Prise d'alimentation

08 Tuyau de vidange

09 Cache du filtre

10 Pieds réglables

11 Filtre de la pompe

12 Tuyau de vidange d'urgence



Installation

Pièces fournies



Clé



Cache-boulons



Guide du tuyau



Serre-câble



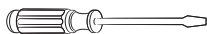
Patins anti-dérapants

Pièces non fournies



Tuyaux d'eau (vendus séparément)

Outils requis pour l'installation



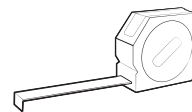
Tournevis cruciforme



Niveau



Pince réglable



Mètre ruban

REMARQUE

- Cache-boulons : le nombre de cache-boulons (3 à 6) fournis dépend du modèle.
- L'aspect du lave-linge et des accessoires fournis peut différer selon le modèle.
- Pour acheter un accessoire ou une pièce égarée, prenez contact avec un centre de réparation Samsung local ou avec le revendeur.

ATTENTION

- Ne réutilisez pas de vieux tuyaux d'arrivée d'eau car ils risquent de fuir ou d'éclater, provoquant alors une inondation et/ou des dégâts matériels.
- Assurez-vous que les rondelles en caoutchouc sont insérées sur chaque raccord des deux tuyaux d'arrivée d'eau.



Conditions d'installation

Alimentation électrique et mise à la terre

- Un fusible ou disjoncteur de 120 V CA / 60 Hz / 15 A est requis.
- Utilisez un circuit de branchement individuel. Raccordez uniquement le lave-linge à ce circuit.

Pour assurer une mise à la terre correcte, votre lave-linge est équipé d'un cordon d'alimentation doté d'une prise à trois broches avec conducteur de terre, destinée à être branchée sur une prise murale correctement installée et reliée à la terre.

En cas de doute concernant la mise à la terre, demandez à un électricien ou un réparateur qualifié de vérifier si l'appareil est correctement mis à la terre.

Ne modifiez pas la prise fournie. Si elle ne correspond pas à la prise secteur, faites installer une prise correctement reliée à la terre par un électricien qualifié.

AVERTISSEMENT

- N'UTILISEZ PAS de rallonge avec cet appareil.
- Utilisez uniquement le cordon d'alimentation fourni avec le lave-linge.
- NE RELIEZ PAS un conducteur de terre à une canalisation de plomberie en plastique, une conduite de gaz ou une canalisation d'eau chaude.
- Un branchement incorrect des conducteurs de terre peut créer un risque d'électrocution.
- Pour prévenir tout risque d'incendie, d'électrocution ou de blessure corporelle, l'intégralité du câblage et de la mise à la terre doit être réalisée conformément aux réglementations locales ou, en l'absence de ces dernières, au code électrique national (National Electrical Code), à la dernière révision de la norme ANSI/NFPA n°70 (pour les États-Unis) ou aux dispositions canadiennes sur l'électricité CSA C22.1 (dernières révisions) et aux réglementations locales. Il relève de votre responsabilité de fournir un service électrique adapté à votre lave-linge.

Arrivée d'eau

Pour ce lave-linge, la pression d'eau doit être comprise entre 20 et 116 psi (137 et 800 kPa). Une pression inférieure à 20 psi (137 kPa) risque d'empêcher la vanne d'arrivée d'eau de se fermer correctement et la durée de remplissage du tambour risque d'augmenter, entraînant ainsi l'arrêt du lave-linge. Les robinets d'arrivée d'eau doivent se trouver à moins de 4 pi (122 cm) de l'arrière du lave-linge afin que les tuyaux d'arrivée d'eau fournis puissent atteindre l'appareil.

Pour réduire le risque de fuite :

- Faites en sorte que les robinets d'arrivée d'eau soient facilement accessibles.
- Fermez les robinets lorsque vous n'utilisez pas le lave-linge.
- Vérifiez régulièrement l'absence de toute fuite au niveau des raccords des tuyaux d'arrivée d'eau.

ATTENTION

Avant d'utiliser le lave-linge pour la première fois, vérifiez l'absence de fuites au niveau des raccords de la vanne d'arrivée d'eau et des robinets.

Installation

Vidange

Samsung conseille d'utiliser un conduit vertical de 18 po (460 mm) de hauteur. Le tuyau de vidange doit être introduit dans le collier de serrage puis dans le conduit vertical et ce dernier doit entièrement recouvrir le tuyau de vidange.

Sol

Pour un fonctionnement optimal, le lave-linge doit être installé sur un sol solide. Si le sol est en bois, il est possible que vous deviez le renforcer afin de réduire les vibrations et/ou les problèmes de déséquilibre. La présence de moquette ou de surfaces molles ne permet pas une bonne résistance aux vibrations et peut entraîner un léger déplacement de votre lave-linge durant l'essorage.

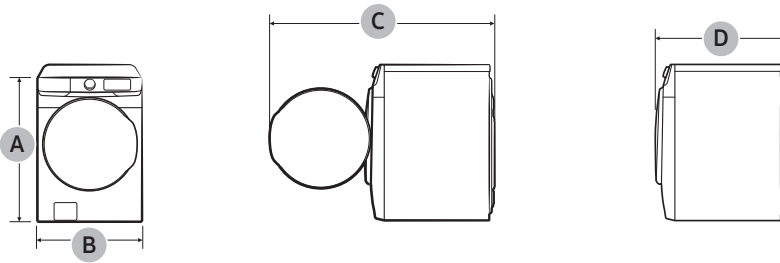
⚠ ATTENTION

N'installez JAMAIS votre lave-linge sur une plate-forme ou sur une structure fragile.

Température de l'eau

N'installez pas votre lave-linge dans une pièce où la température est susceptible de descendre en dessous de zéro degré, car l'eau restant dans les vannes d'arrivée d'eau, les pompes et/ou les tuyaux risquerait de geler. Si de l'eau venait à geler, les courroies, la pompe et d'autres composants du lave-linge pourraient être endommagés.

Dimensions



A. Hauteur totale	38,7 po (984 mm)
B. Largeur	27 po (686 mm)
C. Profondeur avec hublot ouvert	54,8 po (1392 mm)
D. Profondeur	33,5 po (850 mm)

Dégagement requis

Ce dégagement requis concerne uniquement les lave-linge.

📖 REMARQUE

- Pour connaître le dégagement requis pour le sèche-linge, reportez-vous au manuel d'utilisation du sèche-linge.
- Si les dégagements requis pour le lave-linge et le sèche-linge sont différents, respectez celui dont la valeur est la plus élevée.

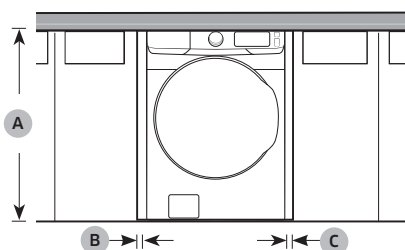
Encastrement dans une niche ou installation dans un placard

Dégagement minimal pour une stabilité optimale :

Côtés	Haut	Arrière	Avant
1 po (25 mm)	1 po (25 mm)	2 po (50 mm)	1 po (25 mm)

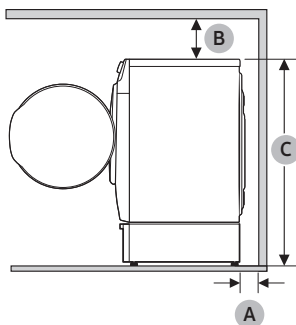
Si le lave-linge et un sèche-linge sont tous deux installés au même endroit, le panneau avant de la niche ou du placard doit être doté de deux ouvertures non obstruées ; assurez-vous d'avoir une surface totale combinée d'au moins 72 po² (465 cm²).

Installation sous plan



A	39,6 po (1006 mm)
B	1 po (25 mm)
C	1 po (25 mm)

Installation sur socle



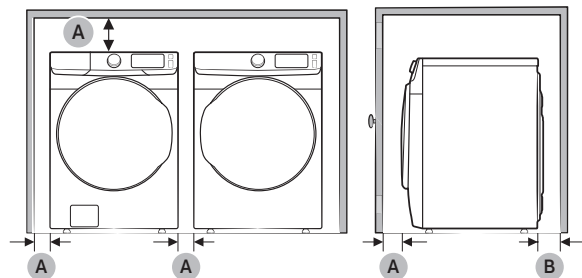
A	2 po (50 mm)
B	6 po (152 mm)
C	52,8 po (1341 mm)



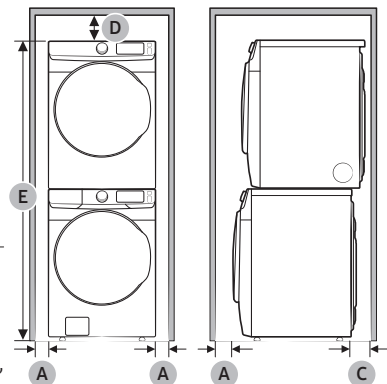
Installation

Ce dégagement requis concerne l'installation d'une paire lave-linge/sèche-linge.

Installation côte à côte



Installation empilée (Modèle : SKK-8K)



REMARQUE

Si vous installez un sèche-linge à côté du lave-linge que vous utilisez, le sèche-linge risque de dépasser à l'avant par rapport au lave-linge.

A	1 po (25 mm)
B	2 po (50 mm) * Le dégagement requis s'applique uniquement au lave-linge. Pour connaître le dégagement requis pour le sèche-linge, reportez-vous au manuel d'utilisation du sèche-linge.
C	4,6 po (117 mm)
D	6 po (152 mm)
E	78,5 po (1994 mm)

AVERTISSEMENT

- Les lave-linge et sèche-linge Samsung peuvent être superposés pour optimiser l'espace utile.
- Les pieds du sèche-linge doivent être démontés pour pouvoir empiler celui-ci sur le lave-linge. Les kits de superposition sont en vente chez votre revendeur Samsung.



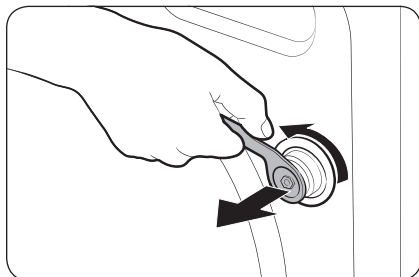
Installation étape par étape

ÉTAPE 1 Choisir un emplacement

Choix de l'emplacement :

- une surface dure et de niveau, sans moquette ou autre revêtement de sol susceptible d'obstruer l'aération ;
- une absence d'exposition à la lumière directe du soleil ;
- une pièce dont la ventilation et le câblage sont appropriés ;
- une température ambiante toujours supérieure au point de gel (32 °F / 0 °C) ;
- éloigné de sources de chaleur.

ÉTAPE 2 Enlever les boulons de transport

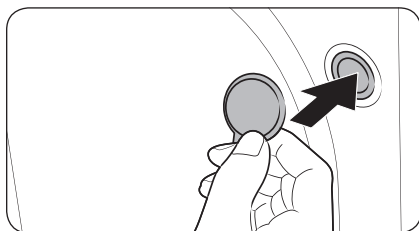


Déballez l'appareil et retirez tous les boulons de transport.

1. Desserrez tous les boulons de transport situés à l'arrière de l'appareil à l'aide de la clé.

REMARQUE

Utilisez l'extrémité fermée de la clé fournie pour retirer les boulons de transport.



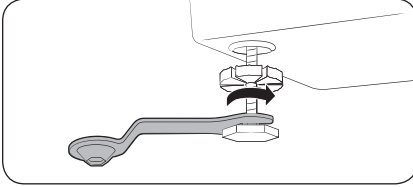
2. Bouchez les trous avec les cache-boulons en plastique fournis.
Conservez les boulons de transport pour une prochaine utilisation.

AVERTISSEMENT

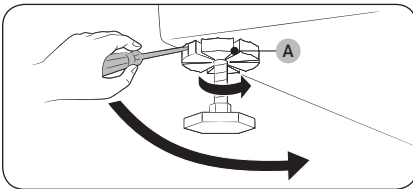
- Les boulons de transport maintiennent le tambour en place pendant le transport de l'appareil et réduisent le risque de dommages pour le système de suspension. Retirez les boulons de transport avant d'utiliser l'appareil et réinstallez-les uniquement si vous devez déplacer l'appareil.
- Les matériaux d'emballage peuvent être dangereux pour les enfants. Tenez tous les matériaux d'emballage (sacs en plastique, polystyrène, etc.) hors de portée des enfants.

Installation

ÉTAPE 3 Ajuster les pieds réglables



1. Faites glisser le lave-linge jusqu'à son emplacement d'installation. Procédez doucement afin d'éviter d'endommager les pieds réglables.
2. À l'aide d'une clé à molette, tournez les pieds réglables dans le sens horaire ou antihoraire pour ajuster la hauteur jusqu'à ce que le lave-linge soit de niveau.

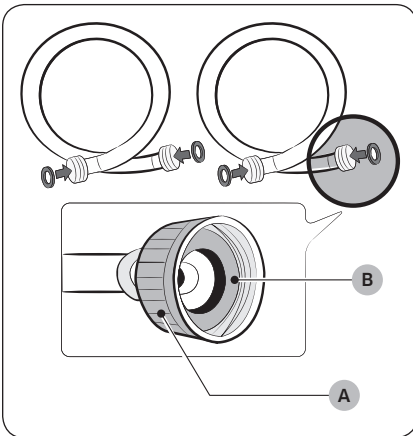


3. À l'aide d'un tournevis à tête plate, serrez les **écrous de blocage (A)**.

REMARQUE

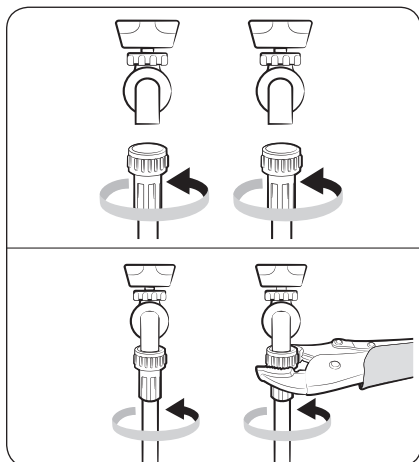
Utilisez l'extrémité ouverte de la clé fournie pour ajuster les pieds réglables.

ÉTAPE 4 Raccorder le tuyau d'eau

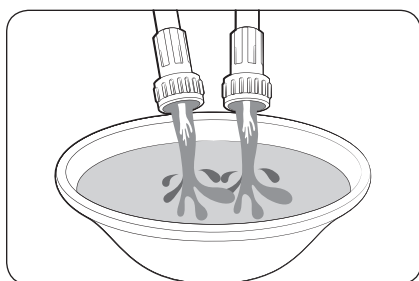


ATTENTION

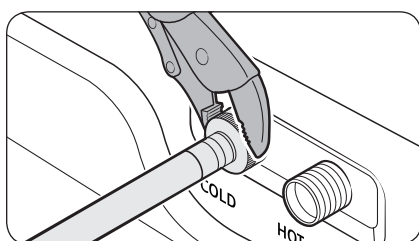
- Veillez à utiliser des tuyaux d'eau neufs et assurez-vous que les **joints en caoutchouc (B)** se trouvent à l'intérieur des **raccords (A)** aux deux extrémités des tuyaux. En l'absence de joints, les tuyaux d'eau peuvent fuir.
- Laissez un espace de 5 po (127 mm) entre l'arrière du lave-linge et le mur afin d'éviter que les tuyaux d'eau ne soient entortillés. S'ils sont entortillés, les tuyaux peuvent provoquer des fuites d'eau.
- En cas de fuite d'eau, arrêtez d'utiliser le lave-linge et prenez contact avec un centre de réparation Samsung local. Une fuite d'eau peut provoquer une électrocution.
- Ne tendez pas les tuyaux d'eau en forçant. Si un tuyau est trop court, remplacez-le par un tuyau plus long.



1. Branchez les tuyaux d'eau sur les robinets d'eau chaude et d'eau froide, puis serrez à la main les raccords des tuyaux d'eau jusqu'à ce qu'ils soient serrés. Ensuite, utilisez une pince pour serrer les raccords de deux tiers de tour supplémentaires. Pour éviter d'endommager les raccords, ne les serrez pas excessivement.
2. Tirez sur les tuyaux d'eau pour vérifier s'ils sont fermement branchés.



3. Placez les autres extrémités des tuyaux dans un seau, puis ouvrez les robinets d'eau pendant 10 à 15 secondes afin d'évacuer les impuretés. Une fois terminé, fermez les robinets.



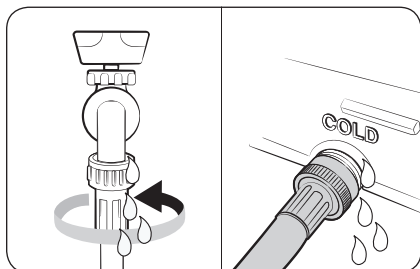
4. Branchez les tuyaux d'eau sur les arrivées d'eau chaude et d'eau froide à l'arrière du lave-linge, puis serrez à la main les raccords des tuyaux d'eau jusqu'à ce qu'ils soient serrés. Ensuite, utilisez une pince pour serrer les raccords de deux tiers de tour supplémentaires.

REMARQUE

Si vous ne souhaitez pas utiliser le tuyau d'arrivée d'eau chaude, installez le bouchon d'arrivée d'eau sur l'arrivée d'eau chaude. Lorsque vous lancez un cycle de lavage, appuyez sur le bouton **Temp.** pour sélectionner Cold (Froide).

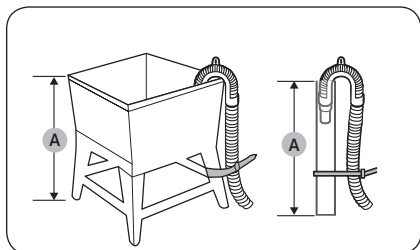


Installation



5. Ouvrez les robinets d'eau, puis vérifiez l'absence de fuites.

ÉTAPE 5 Raccordement du tuyau d'évacuation



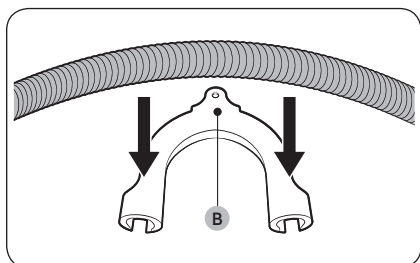
Sur un bac à laver ou un tuyau d'évacuation

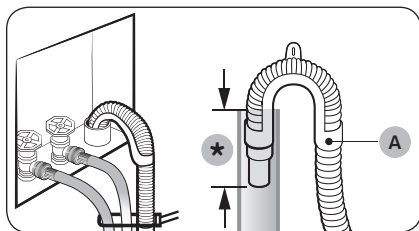
1. Vérifiez la **hauteur (A)** de votre système d'évacuation et assurez-vous que les hauteurs minimale et maximale indiquées ci-dessous sont respectées.

Minimale	18 po (46 cm)
Maximale	96 po (245 cm)

REMARQUE

- Veillez à effectuer la mesure en partant du sol sur lequel le lave-linge se trouve.
 - L'efficacité d'évacuation peut être détériorée si le système d'évacuation est à la hauteur maximale.
 - Pour éviter que le lave-linge ne siphonne l'eau, n'utilisez pas de système d'évacuation en dessous de la hauteur minimale.
2. Branchez le tuyau de vidange sur le **guide du tuyau de vidange en plastique (B)**.





(*) : minimum 6 po (152 mm), maximum 8 po (203 mm)

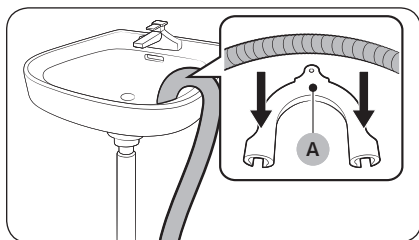
3. Faites passer le tuyau de vidange dans le système d'évacuation.

⚠ ATTENTION

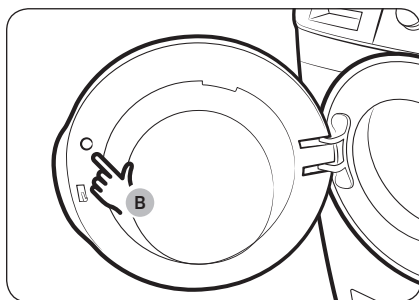
- En cas d'utilisation d'un conduit vertical, assurez-vous que le raccordement entre le conduit vertical et le tuyau de vidange n'est pas étanche à l'air.
 - En cas d'utilisation d'un conduit vertical, assurez-vous que le tuyau de vidange est inséré d'au moins 6 po (152 mm) mais de maximum 8 po (203 mm) dans le conduit vertical.
4. Fixez le tuyau de vidange en place à l'aide de serre-câble.

Sur le bord d'un lavabo

Le tuyau de vidange doit être placé au plus bas à 24 po (60 cm) et au plus haut à 35 po (90 cm) au-dessus du sol. Afin que le bout du tuyau de vidange reste coudé, utilisez le **guide du tuyau de vidange (A)** en plastique fourni. Fixez le guide au mur à l'aide d'un crochet afin d'assurer une évacuation optimale.



ÉTAPE 6 Retirer le film à l'intérieur du hublot



Retirez le **petit cercle de film (B)** au-dessus du verrou du hublot avant toute utilisation.

ÉTAPE 7 Mise sous tension

Branchez le cordon d'alimentation sur une prise électrique agréée de 120 V CA / 60 Hz / 15 A, protégée par un fusible ou un disjoncteur. Ensuite, appuyez sur le bouton **Marche/Arrêt** pour mettre le lave-linge sous tension.

Avant de démarrer

Paramètres initiaux

Effectuer un calibrage (recommandé)

La fonction Calibrage permet au lave-linge de calculer précisément le poids du linge. Assurez-vous que le tambour est vide avant d'exécuter la fonction Calibrage.

1. Appuyez sur le bouton **Marche/Arrêt** pour allumer le lave-linge.
2. Maintenez les boutons **Temp.** et **Delay End (Arrêt différé)** simultanément appuyés pendant 3 secondes.
3. Maintenez le bouton **Départ/Pause (Hold to Start (maintenir enfoncé pour commencer))** enfoncé pour lancer un cycle Calibrage.
 - Le hublot est verrouillé pendant l'utilisation.
 - Le tambour continue de tourner dans le sens horaire et antihoraire pendant plusieurs minutes.
4. Une fois terminé, le lave-linge s'arrête automatiquement.

Instructions de lavage

ÉTAPE 1 Trier

Triez le linge en fonction de ces critères :

- Symbole textile : séparez le coton, les fibres mélangées, les synthétiques, la soie, la laine et les rayonnées.
- Couleur : séparez le blanc des couleurs.
- Taille : mélangez ensemble des articles de différentes tailles dans le tambour pour améliorer les performances de lavage.
- Sensibilité : lavez les articles délicats séparément. Vérifiez les étiquettes des articles neufs en laine vierge, des rideaux et des articles en soie.

REMARQUE

Assurez-vous d'avoir vérifié l'étiquette de tous les vêtements et triez-les en conséquence avant de commencer le lavage.

ÉTAPE 2 Vider les poches

Videz toutes les poches des vêtements à laver.

- Les objets métalliques tels que les pièces de monnaie, les épingles et les boucles sur les vêtements sont susceptibles d'endommager les autres articles de votre lessive ainsi que le tambour.

Retournez les vêtements ayant des boutons et des broderies.

- Veillez à fermer les fermetures éclair des pantalons et des vestes afin de ne pas endommager le tambour. Les fermetures éclair doivent être maintenues fermées à l'aide d'un fil.
- Les vêtements pourvus de lanières peuvent s'emmêler avec d'autres vêtements. Veillez à attacher ensemble les lanières avant de lancer le cycle de lavage.

ÉTAPE 3 Utiliser un filet à linge

- Les soutiens-gorge (lavables à l'eau) doivent être placés dans un filet à linge. Les parties métalliques des soutiens-gorge peuvent en effet sortir du soutien-gorge et déchirer le linge.
- Les vêtements légers et de petite taille, tels que les chaussettes, gants, bas et mouchoirs, peuvent se coincer entre le hublot et la paroi du lave-linge. Placez-les dans un filet à linge fin.
- Ne lavez pas le filet à linge seul, sans linge. Ceci pourrait provoquer des vibrations anormales susceptibles d'entraîner des déplacements intempestifs du lave-linge ainsi que des blessures.

ÉTAPE 4 Évaluer la capacité de chargement

Ne surchargez pas le lave-linge. Une surcharge peut empêcher le lave-linge de laver correctement.

REMARQUE

Lorsque vous lavez des draps ou des housses de couette, il se peut que la durée de lavage soit allongée ou que l'efficacité de l'essorage soit moindre.

Pour les draps ou housses de couette, la vitesse du cycle d'essorage maximale recommandée est le Niveau 2 ou le Niveau 3, et la capacité de chargement est de 7 lb (3,0 kg) maximum.

ATTENTION

Lorsque le linge est mal équilibré et que le code d'information « UB » est affiché, redistribuez la charge. Le linge mal équilibré peut réduire les performances d'essorage.

ÉTAPE 5 Ajouter le type de détergent approprié

Le type de lessive à utiliser (universelle, en particulier pour les articles en laine, etc.) dépend du type de tissu (coton, synthétiques, vêtements délicats, laine), de la couleur, de la température de lavage et du degré de salissure. Quel que soit le type spécifique de lessive que vous utilisez, utilisez toujours une lessive HE qui mousse peu, prévue pour les lave-linge automatiques.

REMARQUE

- Respectez les recommandations du fabricant de la lessive ; celles-ci ont été élaborées en fonction du poids du linge, du degré de salissure et de la dureté de l'eau de votre région. Si vous n'êtes pas sûr de la dureté de votre eau, contactez vos autorités locales.
- N'utilisez pas une lessive qui a tendance à se durcir ou se solidifier. Ce type de lessive peut subsister après le cycle de rinçage et bloquer la sortie de vidange.

ATTENTION

Lorsque vous lavez des articles en laine en utilisant le cycle WOOL (LAINE), utilisez uniquement de la lessive liquide neutre. Si vous utilisez de la lessive en poudre avec le cycle WOOL (LAINE), celle-ci risque de laisser des traces sur le linge ou de le décolorer.

Avant de démarrer

Utilisez uniquement une lessive HE.



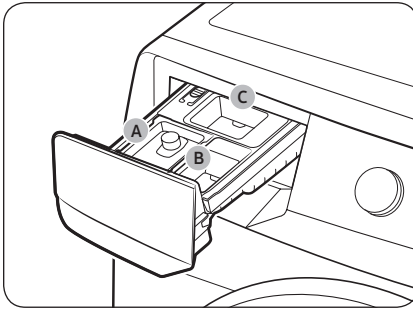
- Pour des résultats de lavage optimaux, utilisez une lessive haute efficacité telle que Tide HE, Wisk HE, Cheer HE ou Gain HE*. Les lessives haute efficacité contiennent des agents anti-mousse chargés de réduire, voire d'éliminer la mousse. Lorsqu'il y a moins de mousse, la charge tourne plus efficacement et le lavage est optimisé. (* Les noms de marque sont des marques déposées de leurs fabricants respectifs.)

⚠ AVERTISSEMENT

Pour un résultat optimal, utilisez uniquement une lessive HE. N'utilisez pas de lessive non labellisée HE, de lessive organique, de lessive naturelle ou de lessive HE avec des ingrédients naturels (comme du vinaigre ou du bicarbonate de soude).

Instructions relatives au tiroir à lessive

Le lave-linge est équipé d'un tiroir à trois compartiments : le compartiment avant gauche est destiné à la lessive du cycle de lavage principal, le compartiment avant droit à l'adoucissant, et le compartiment arrière droit à l'eau de Javel chlorée liquide.

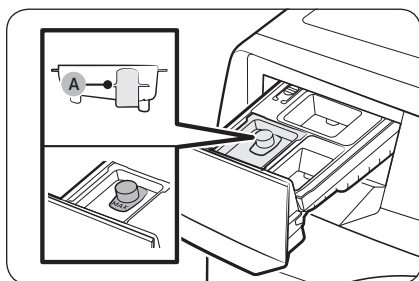


- A. Compartiment de lavage principal :** ajoutez la lessive pour le lavage principal, l'adoucissant, l'agent de trempage, le produit anti-décoloration et/ou le détachant.
- B. Compartiment d'adoucissant :** ajoutez un adoucissant pour tissus. Ne dépassez pas le **trait de remplissage maximum**.
- C. Compartiment d'eau de Javel :** ajoutez de l'eau de Javel chlorée liquide. Ne dépassez pas le **trait de remplissage maximum**.

⚠ ATTENTION

- N'ouvrez pas le tiroir à lessive lorsque le lave-linge est en marche.
- Ne mettez pas les lessives en tablettes ou en capsules dans le tiroir à lessive. Mettez-les directement dans le tambour.
- N'utilisez pas de lessive nécessitant une boule doseuse.
- Pour éviter d'obstruer le compartiment, diluez les doses de lessive ou d'adoucissant concentré(e) dans un peu d'eau avant de les verser dans le bac.

Ajouter la lessive dans le tiroir à lessive



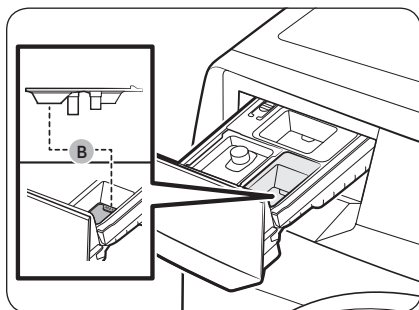
1. Ouvrez le tiroir à lessive.
2. Ajoutez de la lessive liquide dans le bac à lessive liquide du compartiment de lavage principal.

⚠ ATTENTION

- Veillez à insérer le bac à lessive liquide dans le compartiment de lavage principal.
- Ne dépassez pas le **trait de remplissage maximum (A)** marqué.

📖 REMARQUE

- N'ajoutez pas de lessive en poudre ou d'autres agents de lavage en poudre dans le bac à lessive liquide.
- Pour utiliser de la lessive en poudre, reportez-vous en page 32.



3. Ajoutez de l'adoucissant pour tissus dans le **compartiment d'adoucissant**. Ne dépassez pas le **trait de remplissage maximum (B)**.

⚠ ATTENTION

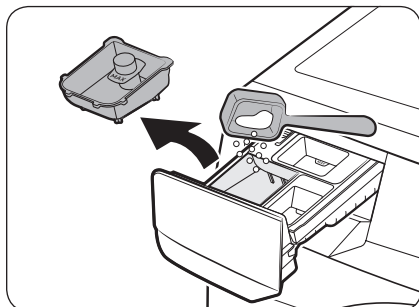
- Nous vous déconseillons d'utiliser de l'adoucissant en poudre. Utilisez uniquement de l'adoucissant liquide.
- Diluez votre adoucissant concentré dans un peu d'eau avant de le verser dans le compartiment approprié.
- Ne versez pas de lessive de lavage principal dans le **compartiment d'adoucissant**.

4. Fermez le tiroir à lessive.



Avant de démarrer

Utiliser de la lessive en poudre

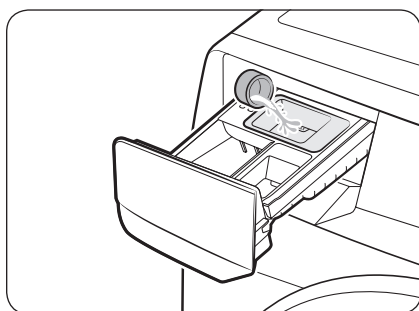


Retirez d'abord le bac à lessive liquide fourni au niveau du **compartiment de lavage principal**. Ensuite, versez de la lessive en poudre dans le **compartiment de lavage principal** en respectant les instructions du fabricant de la lessive.

⚠ ATTENTION

Ne versez pas de lessive en poudre dans le bac à lessive liquide.

Utiliser le compartiment d'eau de Javel

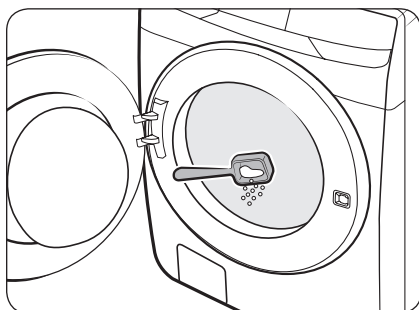


Ajoutez uniquement de l'eau de Javel chlorée liquide dans le **compartiment d'eau de Javel**. Ne dépassez pas le **trait de remplissage maximum**.

⚠ ATTENTION

Ne versez jamais d'eau de Javel chlorée liquide non diluée directement sur le linge ou dans le tambour. Ce produit chimique puissant peut endommager et décolorer les fibres s'il n'est pas utilisé correctement.

Utiliser des produits de suroxygénation ou de l'eau de Javel non décolorante



Les produits de suroxygénation ou l'eau de Javel non décolorante peuvent augmenter les performances de lavage. Assurez-vous d'ajouter du produit de suroxygénation ou de l'eau de Javel non décolorante seulement après avoir placé le linge dans le tambour.

📖 REMARQUE

Pour utiliser simultanément de la lessive en poudre et du produit de suroxygénation ou de l'eau de Javel non décolorante en poudre, il est plus efficace de les mettre ensemble dans le tambour avant d'ajouter le linge.

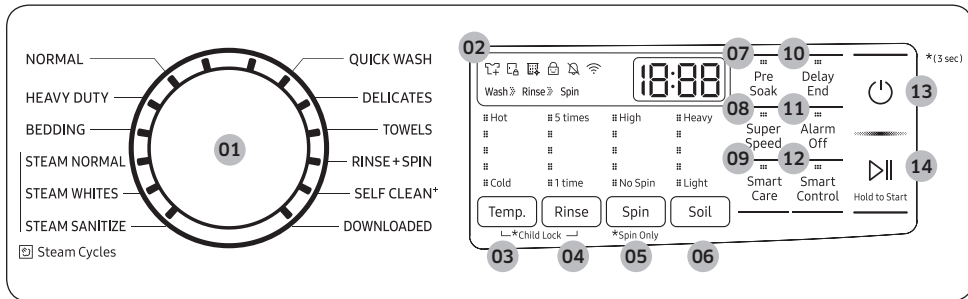


Opérations

⚠ AVERTISSEMENT


Afin de limiter les risques d'incendie, d'électrocution ou de blessures corporelles, consultez la section Consignes de sécurité avant d'utiliser cet appareil.

Panneau de commande



01 Sélecteur de cycle	Tournez la molette pour sélectionner un cycle. (Pour plus d'informations sur les cycles de lavage, reportez-vous à la page 38.)
02 Affichage	L'écran affiche les informations du cycle actuel et le temps restant estimé, ou encore un code d'information si le lave-linge doit être vérifié.
03 Temp.	Permet de modifier la température de l'eau du cycle sélectionné. <ul style="list-style-type: none"> • Hot (Chaude) (Niveau 5) : linge très sale et grand teint. Uniquement disponible avec NORMAL, HEAVY DUTY (GRAND RENDEMENT), STEAM SANITIZE (STÉRILISATION VAPEUR) et SELF CLEAN (AUTO-NETTOYAGE)[†]. • (Niveau 4) : linge blanc et très sale, grand teint. • (Niveau 3) : linge grand teint. • (Niveau 2) : linge très peu sale, couleurs vives. • Cold (Froide) (Niveau 1) : utilise uniquement de l'eau froide sans utiliser le dispositif de chauffe du lave-linge. Il n'y a pas d'eau qui sort.
04 Rinse (Rinçage)	Permet de modifier le nombre de rinçages du cycle sélectionné. <ul style="list-style-type: none"> • Vous pouvez sélectionner entre 0 et 5 rinçages. (Sans rinçage : tous les voyants sont éteints)







Opérations

<p>05 Spin (Essorage)</p>	<p>Permet de modifier la vitesse d'essorage du cycle sélectionné.</p> <ul style="list-style-type: none"> • High (Élevée) (Niveau 5) : prolonge le processus d'essorage afin d'éliminer efficacement l'humidité dans le linge. Ce niveau utilise un processus d'essorage plus puissant pour éliminer l'humidité. Il ne convient donc pas aux tissus infroissables ou sans repassage, ou à une charge de linge trop élevée. • (Niveau 4) : sous-vêtements, T-shirts, jeans et cotons épais. • (Niveau 3) : jeans, tissus infroissables ou sans repassage et synthétiques. • (Niveau 2) : linge délicat nécessitant une vitesse d'essorage réduite. • No Spin (Sans essorage) (Niveau 1) : le lave-linge ne lance aucun cycle d'essorage après la dernière opération de vidange. <p>Arrêt cuve pleine (tous les voyants sont éteints) : le dernier cycle de rinçage est suspendu afin que le linge trempe dans l'eau. Pour décharger le tambour, lancez un cycle de vidange ou d'essorage.</p> <p> REMARQUE</p> <p>Spin Only (Essorage uniquement) : Pour effectuer uniquement le processus d'essorage, maintenez le bouton Spin (Essorage) enfoncé pendant 3 secondes. Lorsque la durée du cycle s'affiche sur l'écran, appuyez sur le bouton Spin (Essorage) autant de fois que nécessaire pour atteindre la vitesse d'essorage souhaitée. Ensuite, maintenez le bouton Départ/Pause (Hold to Start (maintenir enfoncé pour commencer)) enfoncé pour commencer le cycle.</p>
<p>06 Soil (Degré de salissure)</p>	<p>Permet de modifier le degré de salissure pour le cycle actuel.</p> <ul style="list-style-type: none"> • Heavy (Sale) (Niveau 5) : linge extrêmement sale. • (Niveau 4) : linge très sale. • (Niveau 3) : linge moyennement sale. Ce réglage convient à la plupart des lessives. • (Niveau 2) : linge peu sale. • Light (Peu sale) (Niveau 1) : linge très peu sale.
<p>07 Pre Soak (Pré-trempage)</p>	<p>Appuyez sur ce bouton pour ajouter 30 minutes de trempage au début du cycle de lavage pour mieux éliminer les taches.</p>
<p>08 Super Speed (Super rapide)</p>	<p>Appuyez sur ce bouton si vous souhaitez réduire la durée du lavage. Il n'est applicable qu'à NORMAL, HEAVY DUTY (GRAND RENDEMENT), BEDDING (DRAPS) ou STEAM WHITES (BLAC AVEC VAPEUR). La durée réduite peut varier selon le cycle/la charge/les options sélectionné(e)s.</p>
<p>09 Smart Care (Entretien intelligent)</p>	<p>Cette fonction vous permet de vérifier l'état du lave-linge à l'aide d'un smartphone.</p>
<p>10 Delay End (Arrêt différé)</p>	<p>Réglez le lave-linge pour que le cycle de lavage se termine automatiquement plus tard. Choisissez un arrêt différé de 1 à 24 heures (par tranches de 1 heure). (Pour plus d'informations sur la fonction Arrêt différé, reportez-vous à la page 42.)</p>

11 Alarm Off (Désactivation de l'alarme)	Appuyez sur ce bouton pour activer/couper le son de l'alarme. Lorsque l'alarme est désactivée, la tonalité de fin de cycle et le signal sonore de mise hors tension sont coupés. Toutefois, les sons des boutons et alertes restent activés.
12 Smart Control	Après avoir connecté le lave-linge à votre réseau domestique à l'aide de l'application SmartThings, vous pouvez contrôler le lave-linge à distance. Lorsque la fonction Smart Control est activée, le voyant correspondant clignote et le hublot avant se verrouille. Le lave-linge passe en mode d'attente et attend de recevoir des commandes à distance. (Pour en savoir plus sur la fonction Smart Control, consultez la page de l'application SmartThings.)
13 Marche/Arrêt	Appuyez sur ce bouton pour allumer/éteindre le lave-linge.
14 Départ/Pause (Hold to Start (maintenir enfoncé pour commencer))	Maintenez ce bouton enfoncé pour lancer le cycle, ou appuyez dessus pour arrêter temporairement le cycle.

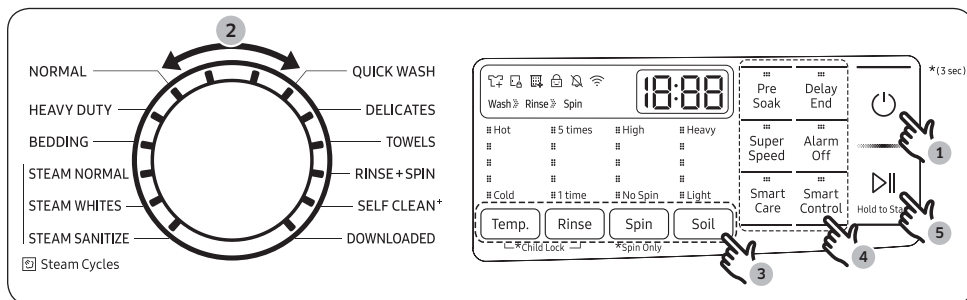
Opérations

Description des icônes

	Ajout de linge	<ul style="list-style-type: none">• Cette icône indique que vous pouvez ajouter ou retirer du linge après le début d'un cycle.• Pour ajouter ou retirer du linge, appuyez sur le bouton Départ/Pause (Hold to Start (maintenir enfoncé pour commencer)) pour mettre le cycle en pause, puis ouvrez le hublot. Pour reprendre le cycle, fermez le hublot et maintenez le bouton Départ/Pause (Hold to Start (maintenir enfoncé pour commencer)) enfoncé.
	Verrouillage du hublot	<ul style="list-style-type: none">• Cette icône indique que le hublot est verrouillé et qu'il ne peut pas être ouvert.• Le hublot se verrouille automatiquement pendant un cycle et ce voyant s'allume.• Vous pouvez ouvrir le hublot lorsque cette icône disparaît.
	Rappel AUTO-NETTOYAGE ⁺	<ul style="list-style-type: none">• Cette icône indique que vous devez nettoyer le tambour à l'aide du cycle AUTO-NETTOYAGE⁺.• Au bout de 40 cycles, cette icône apparaît pendant une heure puis s'éteint automatiquement. L'icône apparaîtra pendant 5 autres cycles, s'éteindra, puis réapparaîtra pendant 40 autres cycles.
	Sécurité enfants	<ul style="list-style-type: none">• Cette icône indique que la fonction Sécurité enfants est activée.• Pour plus d'informations sur la fonction Sécurité enfants, reportez-vous en page 42.
	Désactivation de l'alarme	<ul style="list-style-type: none">• Cette icône indique que l'alarme est désactivée.• Pour plus d'informations sur la fonction Désactivation de l'alarme, reportez-vous en page 43.
	Wi-Fi	<ul style="list-style-type: none">• Cette icône indique que le lave-linge est connecté au réseau Wi-Fi.



Étapes simples pour commencer



1. Appuyez sur le bouton **Marche/Arrêt** pour allumer le lave-linge.
2. Faites tourner le **sélecteur de cycle** pour sélectionner un cycle.
3. Modifiez les paramètres du cycle (**Temp.**, **Rinse (Rinçage)**, **Spin (Essorage)** et **Soil (Degré de salissure)**) selon les besoins.
4. Sélectionnez les options souhaitées si nécessaire.
5. Maintenez le bouton **Départ/Pause (Hold to Start (maintenir enfoncé pour commencer))** enfoncé.

Pour changer de cycle pendant l'utilisation

1. Appuyez sur **Départ/Pause (Hold to Start (maintenir enfoncé pour commencer))** pour interrompre le fonctionnement.
2. Sélectionnez un autre cycle.
3. Maintenez à nouveau le bouton **Départ/Pause (Hold to Start (maintenir enfoncé pour commencer))** enfoncé pour lancer le nouveau cycle.

AVERTISSEMENT

Ne posez aucun objet sur l'appareil lorsque celui-ci est en cours de fonctionnement.



Opérations

Présentation des cycles

REMARQUE

Le lave-linge détecte le poids du linge et ajuste automatiquement le niveau d'eau optimal, la durée de lavage, le nombre de rinçages et le nombre d'essorage. (Cela peut ne pas être applicable à certains cycles.)

Cycle	Description
NORMAL	<ul style="list-style-type: none"> Pour les vêtements en coton, le linge de lit, le linge de table, les sous-vêtements, les serviettes ou les T-shirts. La durée de lavage et le nombre de rinçages s'adaptent automatiquement à la charge.
HEAVY DUTY (GRAND RENDEMENT)	<ul style="list-style-type: none"> Linge très sale et textiles épais grand teint.
BEDDING (DRAPS)	<ul style="list-style-type: none"> Articles volumineux, comme les couettes, les couvertures et les draps. Pour des résultats optimaux, lavez 1 seul type de draps à la fois. Pour les articles volumineux, utilisez de la lessive liquide et n'enroulez pas les articles dans le tambour car ils pourraient s'y coincer.
QUICK WASH (LAVAGE EXPRESS)	<ul style="list-style-type: none"> Pour le linge peu sale dont vous avez besoin rapidement. Pour des performances optimales, la charge maximale recommandée est de 4 lb (2,0 kg).
DELICATES (DÉLICAT)	<ul style="list-style-type: none"> Textiles transparents, lingerie fine, soie et autres textiles délicats à laver à la main. Pour des performances optimales, utilisez de la lessive liquide.
TOWEL (SERVIETTES)	<ul style="list-style-type: none"> Serviettes et linge de bain.
RINSE+SPIN (RINÇAGE+ESSORAGE)	<ul style="list-style-type: none"> Permet d'effectuer un rinçage supplémentaire après l'application d'adoucissant sur le linge.
SELF CLEAN (AUTO-NETTOYAGE)[†]	<ul style="list-style-type: none"> Nettoie le tambour en éliminant la saleté et les bactéries à l'intérieur du tambour. À effectuer tous les 40 lavages. Assurez-vous que le tambour est vide.
DOWNLOADED (TÉLÉCHARGÉ)	<ul style="list-style-type: none"> Sélectionnez ce bouton pour choisir d'autres cycles disponibles sur l'application SmartThings sur votre smartphone. Réglage d'usine : ACTIVEWEAR (VÊTEMENTS QUOTIDIENS)
STEAM NORMAL (NORMAL AVEC VAPEUR)	<ul style="list-style-type: none"> Pour laver les vêtements quotidiens avec de la vapeur.
STEAM WHITES (BLAC AVEC VAPEUR)	<ul style="list-style-type: none"> Linge blanc. Vous pouvez l'utiliser avec ou sans agent de blanchiment.

Cycle	Description
STEAM SANITIZE (STÉRILISATION VAPEUR)	<ul style="list-style-type: none"> Pour les tissus grand teint et le linge très sale, ce cycle chauffe l'eau alimentée à plus de 60 °C afin de nettoyer en profondeur. Si vous arrêtez le cycle en cours pendant que le lave-linge chauffe l'eau, le hublot reste verrouillé pour votre sécurité.

Tableau des cycles

Utilisez ce tableau afin de définir les cycles et les options les mieux adaptés à votre linge.

REMARQUE

Réglage	Temp.	Rinse (Rinçage)	Spin (Essorage)	Soil (Degré de salissure)
● : réglage d'usine	5 : Hot (Chaude) (Niveau 5)	5 : 5 fois (Niveau 5)	5 : High (Élevée) (Niveau 5)	5 : Heavy (Sale) (Niveau 5)
○ : peut être sélectionné	4 : (Niveau 4)	4 : (Niveau 4)	4 : (Niveau 4)	4 : (Niveau 4)
	3 : (Niveau 3)	3 : (Niveau 3)	3 : (Niveau 3)	3 : (Niveau 3)
	2 : (Niveau 2)	2 : (Niveau 2)	2 : (Niveau 2)	2 : (Niveau 2)
	1 : Cold (Froide) (Niveau 1)	1 : 1 fois (Niveau 1)	1 : No Spin (Sans essorage) (Niveau 1)	1 : Light (Peu sale) (Niveau 1)

Cycle	Fonctions									
	Temp.					Rinse (Rinçage)				
	5	4	3	2	1	5	4	3	2	1
NORMAL	○	○	●	○	○	○	○	○	●	○
HEAVY DUTY (GRAND RENDEMENT)	○	●	○	○	○	○	○	○	●	○
BEDDING (DRAPS)			●	○	○	○	○	○	●	○
QUICK WASH (LAVAGE EXPRESS)		○	●	○	○	○	○	○	○	●
DELICATES (DÉLICAT)			○	○	●			○	●	○
TOWEL (SERVIETTES)		○	●	○	○	○	○	○	●	○
RINSE+SPIN (RINÇAGE+ESSORAGE)						○	○	○	○	●
SELF CLEAN (AUTO-NETTOYAGE) ⁺	●								●	
STEAM NORMAL (NORMAL AVEC VAPEUR)		●				○	○	○	●	○
STEAM WHITES (BLAC AVEC VAPEUR)		●				○	○	○	●	○
STEAM SANITIZE (STÉRILISATION VAPEUR)	●					○	○	○	●	○

Opérations

Français

Cycle	Fonctions									
	Spin (Essorage)					Soil (Degré de salissure)				
	5	4	3	2	1	5	4	3	2	1
NORMAL	○	●	○		○	○	○	●	○	○
HEAVY DUTY (GRAND RENDEMENT)	●	○	○	○	○	●	○	○	○	○
BEDDING (DRAPS)			○	●	○	○	○	●	○	○
QUICK WASH (LAVAGE EXPRESS)	●	○	○	○	○	○	○	○	○	●
DELICATES (DÉLICAT)			●	○	○	○	○	●	○	○
TOWEL (SERVIETTES)	○	●	○	○	○	○	○	●	○	○
RINSE+SPIN (RINÇAGE+ESSORAGE)	○	●	○	○	○					
SELF CLEAN (AUTO-NETTOYAGE) ⁺	●									
STEAM NORMAL (NORMAL AVEC VAPEUR)	○	●	○	○	○	○	○	●	○	○
STEAM WHITES (BLAC AVEC VAPEUR)	○	●	○	○	○	○	○	●	○	○
STEAM SANITIZE (STÉRILISATION VAPEUR)	○	●	○	○	○	○	○	●	○	○

Cycle	Options (Options)	
	Pre Soak (Pré-trempage)	Super Speed (Super rapide)
NORMAL	<input type="radio"/>	<input type="radio"/>
HEAVY DUTY (GRAND RENDEMENT)	<input type="radio"/>	<input type="radio"/>
BEDDING (DRAPS)	<input type="radio"/>	<input type="radio"/>
QUICK WASH (LAVAGE EXPRESS)		
DELICATES (DÉLICAT)		
TOWEL (SERVIETTES)	<input type="radio"/>	
RINSE+SPIN (RINÇAGE+ESSORAGE)		
SELF CLEAN (AUTO-NETTOYAGE) [†]		
STEAM NORMAL (NORMAL AVEC VAPEUR)	<input type="radio"/>	
STEAM WHITES (BLAC AVEC VAPEUR)	<input type="radio"/>	<input type="radio"/>
STEAM SANITIZE (STÉRILISATION VAPEUR)	<input type="radio"/>	



Opérations

Fonctions spéciales

Arrêt différé

Vous pouvez programmer votre lave-linge pour que le cycle de lavage se termine automatiquement plus tard, en choisissant un arrêt différé de 1 à 24 heures (par tranches de 1 heure). L'heure affichée correspond à celle à laquelle le lavage se terminera.

1. Sélectionnez un cycle. Puis, modifiez les paramètres du cycle, si nécessaire.
2. Appuyez sur **Delay End (Arrêt différé)** plusieurs fois jusqu'à ce que l'heure de fin souhaitée soit réglée.
3. Maintenez le bouton **Départ/Pause (Hold to Start (maintenir enfoncé pour commencer))** enfoncé.
4. Pour annuler la fonction Arrêt différé, redémarrez le lave-linge en appuyant sur le bouton **Marche/Arrêt**.

Exemple de situation réelle

Vous souhaitez qu'un cycle de deux heures soit terminé dans 3 heures. Pour cela, ajoutez l'option Arrêt différé au cycle actuel avec le réglage de 3 heures, puis appuyez sur **Départ/Pause (Hold to Start (maintenir enfoncé pour commencer))** à 14 h 00. Le lave-linge démarre son fonctionnement à 15 h 00, puis termine à 17 h 00. Voici la chronologie de cet exemple.



ATC (Contrôle automatique de la température)

La fonction ATC permet au lave-linge de contrôler la température de l'eau à chaque cycle de lavage à l'aide de la thermistance interne. Elle est conçue pour maintenir certaines températures de lavage pour garantir des résultats optimaux.

REMARQUE

- Si vous sélectionnez **NORMAL** ou **HEAVY DUTY (GRAND RENDEMENT)**, vous pouvez remarquer que le lave-linge tire de l'eau froide. Ceci est tout à fait normal puisque la machine est conçue pour réduire la consommation d'énergie. Pendant ces cycles, la température de l'eau pour le Niveau 5 est similaire des températures de l'eau d'un bain, tandis que le Niveau 3 est similaire à des températures agréables de piscine.
- Pour laver des vêtements à une température spécifique, vous devez d'abord choisir un autre cycle.

Sécurité enfants

La fonction Sécurité enfants verrouille le hublot du lave-linge pour éviter que des enfants ne grimpent dedans et ne s'asphyxient à l'intérieur du tambour.

Activer la fonction Sécurité enfants

- Maintenez les boutons **Temp.** et **Rinse (Rinçage)** simultanément enfoncés pendant 3 secondes. Ensuite, maintenez le bouton **Départ/Pause (Hold to Start (maintenir enfoncé pour commencer))** enfoncé pour l'activer. Le hublot se verrouille et le voyant de la fonction Sécurité enfants s'allume.



Désactiver temporairement la fonction Sécurité enfants

- Vous pouvez désactiver temporairement la fonction Sécurité enfants pendant 1 minute. Pour ce faire, maintenez les boutons **Temp.** et **Rinse (Rinçage)** simultanément enfoncés pendant 3 secondes. Le hublot se déverrouille pendant 1 minute et le voyant de la fonction Sécurité enfants clignote.

REMARQUE

- Si vous ouvrez le hublot 1 minute après la désactivation de la fonction Sécurité enfants, une alarme retentit pendant 2 minutes maximum.
- Si vous refermez le hublot sous 2 minutes, il se verrouille et la fonction Sécurité enfants se réactive. Si vous ne fermez pas le hublot ou si ce dernier est mal fermé, l'alarme continue de retentir pendant 2 minutes.
- Pour ajouter du linge après avoir activé la fonction Sécurité enfants, désactivez la fonction Sécurité enfants ou redémarrez le lave-linge.

Annuler la fonction Sécurité enfants

- Maintenez les boutons **Temp.** et **Rinse (Rinçage)** simultanément enfoncés pendant 6 secondes. Le hublot se verrouille et le voyant de la fonction Sécurité enfants s'éteint.

Désactivation de l'alarme

Vous pouvez activer/couper le son de l'alarme. Lorsque l'alarme est désactivée, la tonalité de fin de cycle et le signal sonore de mise hors tension sont coupés. Toutefois, les autres sons restent actifs.

- Appuyez sur le bouton **Alarm Off (Désactivation de l'alarme)** pour activer/désactiver l'alarme.
- Votre réglage sera maintenu même après l'arrêt puis le redémarrage de l'appareil.

Cycle TÉLÉCHARGÉ

Vous pouvez choisir d'autres cycles disponibles sur l'application SmartThings sur votre smartphone.

1. Sur votre smartphone, sélectionnez le cycle **DOWNLOADED (TÉLÉCHARGÉ)**.
2. Appuyez sur **Marche/Arrêt** sur votre lave-linge.
3. Tournez le **sélecteur de cycle** pour sélectionner **DOWNLOADED (TÉLÉCHARGÉ)**.
4. Maintenez le bouton **Départ/Pause (Hold to Start (maintenir enfoncé pour commencer))** enfoncé.



Opérations

SmartThings

Connexion Wi-Fi

Sur votre smartphone, allez dans **Settings (Réglages)**, activez la connexion sans fil et sélectionnez un point d'accès.

- Cet appareil prend en charge les protocoles Wi-Fi 2,4 GHz.

Téléchargement

Sur un marché d'applications (Google Play Store, Apple App Store, Samsung Galaxy Apps), trouvez l'application SmartThings en saisissant « SmartThings » comme terme de recherche. Téléchargez et installez l'application sur votre appareil.

REMARQUE

L'application est susceptible d'être modifiée sans préavis en vue d'en améliorer les performances.

Connexion

Vous devez d'abord vous connecter sur SmartThings avec votre compte Samsung. Pour créer un nouveau compte Samsung, suivez les instructions affichées sur l'application. Vous n'avez pas besoin d'avoir une autre application pour créer votre compte.

REMARQUE

Si vous avez déjà un compte Samsung, utilisez-le pour vous connecter. Un utilisateur ayant un smartphone Samsung enregistré peut se connecter automatiquement.

Pour enregistrer votre appareil sur SmartThings

1. Assurez-vous que votre smartphone est connecté à un réseau sans fil. Si ce n'est pas le cas, allez dans **Settings (Réglages)**, activez la connexion sans fil et sélectionnez un point d'accès.
2. Ouvrez **SmartThings** sur votre smartphone.
3. Si le message « **A new device is found. (Nouvel appareil détecté.)** » s'affiche, sélectionnez **Add (Ajouter)**.
4. Si aucun message n'apparaît, sélectionnez **+** et sélectionnez votre appareil dans la liste des appareils disponibles. Si votre appareil ne figure pas dans la liste, sélectionnez **Device Type (Type d'appareil) > Specific Device Model (Modèle d'appareil spécifique)**, puis ajoutez manuellement votre appareil.
5. Enregistrez votre appareil sur l'application SmartThings comme suit.
 - a. Ajoutez votre appareil sur SmartThings. Assurez-vous que votre appareil est connecté à SmartThings.
 - b. Une fois l'enregistrement terminé, votre appareil apparaît sur votre smartphone.

Si vous déménagez, nous vous recommandons d'effacer complètement l'appareil et d'effectuer une réinitialisation du réseau dessus avant de le laisser derrière vous.

Si vous emménagez, la méthode la plus simple pour supprimer l'accès de l'ancien utilisateur et prendre le contrôle de l'appareil, c'est de l'ajouter sur SmartThings vous-même. Mais si vous ne comptez pas utiliser SmartThings, vous devrez effectuer une réinitialisation du réseau afin de protéger votre vie privée. Les logements locatifs changent régulièrement d'occupants. Pour protéger la vie privée des occupants, les paramètres Wi-Fi et/ou autres paramètres de connectivité doivent être réinitialisés à chaque changement d'occupants. Veuillez vous reporter aux instructions de réinitialisation aux paramètres d'usine figurant dans le présent manuel.



Maintenance

Maintenez le lave-linge propre pour obtenir des performances optimales et allonger sa durée de vie.

AVERTISSEMENT

Certaines pièces sont intentionnellement non mises à la terre et peuvent présenter un risque d'électrocution uniquement lors d'une réparation. Technicien de maintenance – Ne touchez pas les pièces suivantes lorsque l'appareil est sous tension : panneau de commande, dissipateur thermique, moteur, vanne d'alimentation en eau et pompe.

Auto-nettoyage⁺

Certaines conditions d'utilisation et environnementales peuvent entraîner une accumulation de résidus ou le développement de mauvaises odeurs dans le tambour du lave-linge. Pour éviter cette accumulation de résidus ou le développement de bactéries sources de mauvaises odeurs et ainsi garder un lave-linge frais et propre, lancez le cycle AUTO-NETTOYAGE⁺ au moins une fois par mois, ou tous les 40 cycles. Suivez la procédure recommandée ci-dessous lors de l'utilisation du cycle AUTO-NETTOYAGE⁺.

1. Sortez tous les articles du tambour du lave-linge et vérifiez que le tambour est vide. Le linge laissé dans le tambour pendant le cycle AUTO-NETTOYAGE⁺ risque d'être endommagé.
2. Appuyez sur le bouton **Marche/Arrêt** pour allumer le lave-linge.
3. Tournez le **sélecteur de cycle** pour sélectionner **SELF CLEAN (AUTO-NETTOYAGE)⁺**.
4. Maintenez le bouton **Départ/Pause (Hold to Start (maintenir enfoncé pour commencer))** enfoncé.

REMARQUE

- La température de l'eau pour AUTO-NETTOYAGE⁺ est réglée par défaut sur Hot (Chaude). Cette température ne peut pas être modifiée.
- En cas de présence de résidus dans le tambour du lave-linge, versez de l'eau de Javel chlorée liquide jusqu'au trait de remplissage maximum du compartiment de lavage principal, avant de commencer le cycle AUTO-NETTOYAGE⁺. Ne versez pas l'eau de Javel chlorée liquide dans le compartiment d'eau de Javel (c'est uniquement le cas pour le cycle AUTO-NETTOYAGE⁺).
- Ne dépassez pas le trait de remplissage maximum. N'utilisez pas ou ne mélangez pas d'autres produits de nettoyage ou chimiques pendant le cycle AUTO-NETTOYAGE⁺. Si nécessaire, lancez un cycle RINÇAGE+ESSORAGE une fois le cycle AUTO-NETTOYAGE⁺ terminé, afin de faciliter le retrait des résidus restants.

ATTENTION

Si de l'eau de Javel chlorée est laissée dans le tambour du lave-linge pendant une période prolongée, de la rouille peut se former.

Rappel AUTO-NETTOYAGE⁺

- Au bout de 40 cycles de lavage, l'icône de rappel à LED AUTO-NETTOYAGE⁺ et le voyant du cycle AUTO-NETTOYAGE⁺ clignoteront sur le panneau de commande pendant une heure, puis ils s'éteindront automatiquement.
- Le rappel apparaîtra sur le panneau de commande pendant 5 autres cycles consécutifs avant de disparaître. Le prochain rappel n'apparaîtra pas avant que 40 autres cycles aient été effectués.



Maintenance

Smart Care

Pour activer cette fonction, vous devez tout d'abord télécharger l'application Samsung Laundry sur Play Store ou App Store, puis l'installer sur un appareil mobile muni d'un appareil photo. La fonction Smart Care a été optimisée pour les appareils mobiles Galaxy et iPhone (modèles compatibles uniquement).

1. Lorsque le lave-linge détecte un problème, un code d'information s'affiche sur l'écran. Pour passer en mode Smart Care, appuyez sur le bouton **Smart Care**.
2. Le lave-linge démarre la procédure d'autodiagnostic et affiche un code d'information lorsqu'un problème est détecté.
3. Lancez l'application Samsung Laundry sur votre appareil mobile, puis appuyez doucement sur **Smart Care**.
4. Placez l'appareil mobile à proximité de l'écran du lave-linge de sorte que l'appareil photo du smartphone et le lave-linge soient l'un en face de l'autre. Le code d'information sera automatiquement reconnu par l'application.
5. Lorsque le code d'information a été correctement reconnu, l'application fournit des informations détaillées sur le problème et indique les mesures à prendre.

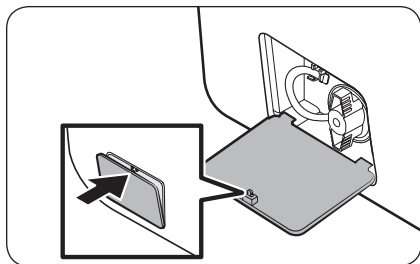
REMARQUE

- Le nom de la fonction, Smart Care, peut varier selon la langue.
- Si de la lumière est réfléchi sur l'écran du lave-linge, l'application peut ne pas reconnaître le code d'information.
- Si l'application ne reconnaît pas le code d'information, vous pouvez le saisir manuellement sur l'application.

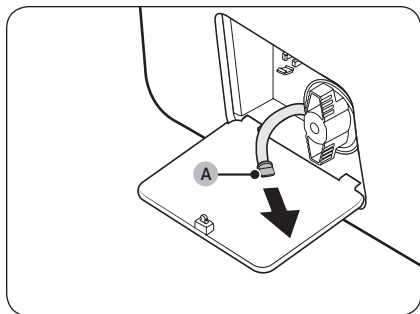


Vidange d'urgence

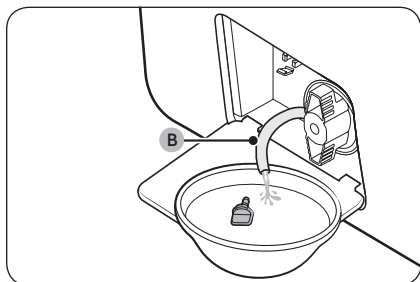
En cas de coupure de courant, vidangez l'eau à l'intérieur du tambour avant de retirer le linge.



1. Éteignez le lave-linge et débranchez le cordon d'alimentation.
2. Appuyez doucement sur la zone supérieure du **cache du filtre** pour l'ouvrir.



3. Placez un grand bac vide autour du cache et tirez le **tuyau de vidange d'urgence** jusqu'au bac tout en tenant le **bouchon du tuyau (A)**.



4. Ouvrez le **bouchon du tuyau** et laissez couler l'eau du **tuyau de vidange d'urgence (B)** dans le bac.
5. Lorsque vous avez terminé, fermez le **bouchon du tuyau** et réinsérez le tuyau. Puis, fermez le **cache du filtre**.

REMARQUE

Utilisez un grand bac car la quantité d'eau dans le tambour peut être plus importante que vous ne le pensez.

Maintenance

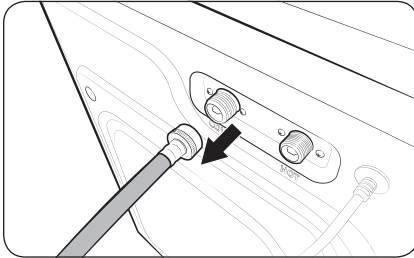
Nettoyage

Surface du lave-linge

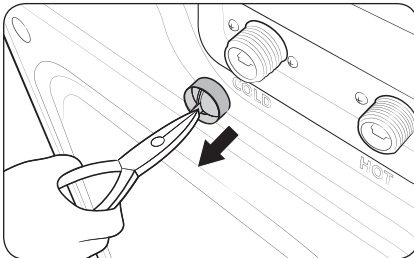
Utilisez un chiffon doux avec un produit d'entretien ménager non abrasif. Ne pulvérisez pas d'eau sur le lave-linge.

Filtre à maille

Nettoyez le filtre à maille du tuyau d'eau une ou deux fois par an.



1. Éteignez le lave-linge et débranchez le cordon d'alimentation.
2. Fermez le robinet d'eau.
3. Desserrez et débranchez les tuyaux d'eau à l'arrière du lave-linge. Recouvrez l'extrémité de chaque tuyau d'un chiffon ou d'une serviette pour éviter des projections d'eau.



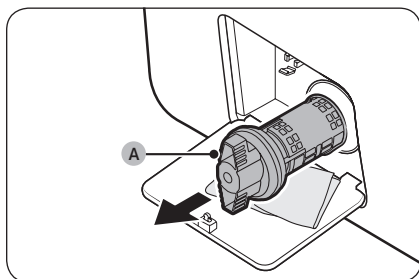
4. Utilisez une pince pour retirer les filtres à maille de l'intérieur des vannes d'alimentation en eau.
5. Nettoyez soigneusement les filtres à maille sous l'eau.
6. Séchez complètement les filtres à maille. Séchez-les à l'abri de la lumière directe du soleil.
7. Réinsérez les filtres à maille, puis rebranchez les tuyaux d'eau.
8. Ouvrez les robinets d'eau.

REMARQUE

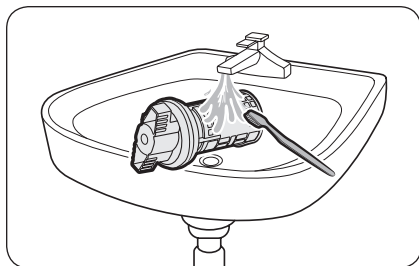
Si un filtre à maille est bouché, le code d'information « 4C » apparaît sur l'écran d'affichage du lave-linge.

Filtre de la pompe

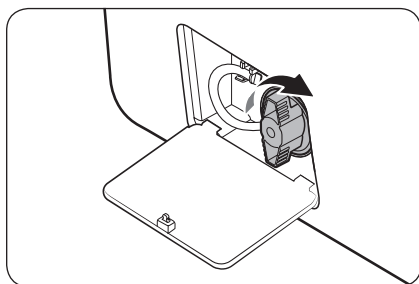
Vous devez nettoyer le filtre de la pompe 5 ou 6 fois par an pour prévenir son obstruction.



1. Éteignez le lave-linge et débranchez le cordon d'alimentation.
2. Appuyez doucement sur la zone supérieure du **cache du filtre** pour l'ouvrir.
3. Vidangez le reste d'eau contenu dans le tambour. Consultez la section **Vidange d'urgence** en page 47.
4. Tournez le **bouton du filtre de la pompe (A)** dans le sens antihoraire et vidangez le reste d'eau.



5. Nettoyez le **filtre de la pompe** à l'aide d'une brosse souple. Lors du retrait du filtre de la pompe, assurez-vous que le ventilateur à l'intérieur de la pompe de vidange est exempt d'impuretés.
6. Réinsérez le **filtre de la pompe**, puis tournez le bouton du filtre de la pompe dans le sens horaire.
7. Fermez le **cache du filtre**.



REMARQUE

- Certains filtres de pompe sont dotés d'un bouton de sécurité conçu pour éviter que les enfants n'ouvrent accidentellement le compartiment du filtre. Pour déverrouiller le bouton de sécurité du **filtre de la pompe**, enfoncez le bouton et tournez-le dans le sens antihoraire. Le mécanisme de ressort du bouton de sécurité aide à ouvrir le filtre.
- Pour verrouiller le bouton de sécurité du **filtre de la pompe**, tournez le bouton dans le sens horaire. Le ressort émet un cliquetis qui est normal.
- Avant de fermer le **cache du filtre**, assurez-vous que le **filtre de la pompe** est correctement inséré.

REMARQUE

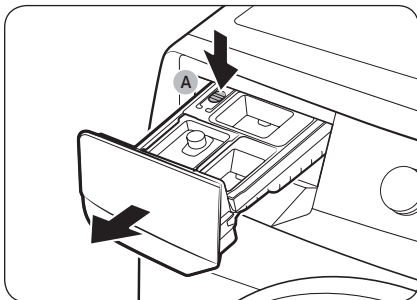
Si le filtre de la pompe est bouché, le code d'information « 5C » apparaît sur l'écran d'affichage du lave-linge.

Maintenance

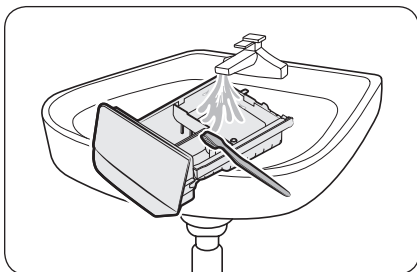
⚠ ATTENTION

- Assurez-vous que le bouton du filtre est correctement verrouillé après avoir nettoyé le filtre. Dans le cas contraire, cela peut provoquer une fuite.
- Assurez-vous que le filtre est correctement inséré après l'avoir nettoyé. Dans le cas contraire, cela peut causer une défaillance opérationnelle ou une fuite.

Tiroir à lessive



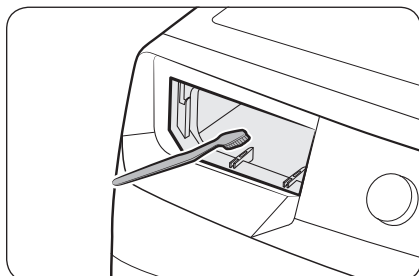
1. Ouvrez le tiroir.
2. Tout en maintenant enfoncée la **manette d'ouverture (A)**, retirez le tiroir.
3. Sortez le **bac à lessive liquide** du tiroir.



4. Nettoyez les composants du tiroir à l'eau courante à l'aide d'une brosse souple.

📖 REMARQUE

Les autres pièces du tiroir peuvent également être démontées. Elles risquent de tomber si vous tenez le tiroir sans dessus/dessous.



5. Nettoyez le compartiment du tiroir à l'aide d'une brosse souple.
6. Réinstallez le **bac à lessive liquide** dans le tiroir à lessive.
7. Faites glisser le tiroir dans le compartiment du tiroir, puis poussez-le vers l'intérieur jusqu'à ce qu'il soit complètement fermé.

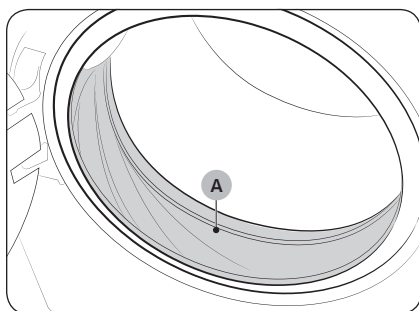
REMARQUE

Pour retirer le détergent restant, lancez un cycle **RINSE+SPIN (RINÇAGE+ESSORAGE)** en laissant le tambour vide.

ATTENTION

Ne pulvérisez pas d'eau dans le logement du tiroir à lessive. Cela pourrait entraîner une électrocution ou un incendie. Débranchez l'alimentation électrique si nécessaire.

Joint du hublot



1. Ouvrez le hublot puis videz le tambour.
2. Mélangez 3/4 de tasse d'eau de Javel chlorée liquide à 1 gallon d'eau chaude du robinet.
3. Après vous être équipé de gants, utilisez un chiffon doux et propre imprégné de la solution d'eau et d'eau de Javel pour nettoyer le joint.
4. Laissez reposer 5 minutes, puis essuyez et séchez bien.

ATTENTION

Utilisez l'eau de Javel avec prudence et veillez à bien suivre les instructions d'utilisation et d'entretien fournies par le fabricant de l'eau de Javel.

Maintenance

Reprise du fonctionnement après du gel

Le lave-linge peut geler lorsque la température ambiante descend en-dessous de 32 °F (0 °C).

1. Éteignez le lave-linge et débranchez le cordon d'alimentation.
2. Versez de l'eau chaude sur le robinet d'eau pour assouplir le tuyau d'eau.
3. Débranchez le tuyau d'eau et trempez-le dans l'eau chaude.
4. Versez de l'eau chaude dans le tambour du lave-linge et laissez-la agir pendant environ 10 minutes.
5. Raccordez le tuyau d'eau au robinet d'eau.

REMARQUE

Si le lave-linge ne fonctionne toujours pas normalement, recommencez les étapes ci-dessus.

Mesures en cas de période d'inutilisation prolongée

Évitez de ne pas utiliser le lave-linge pendant une période prolongée. Cependant, si vous songez à ne pas utiliser le lave-linge pendant une durée prolongée, respectez les consignes suivantes :

1. Appuyez sur le bouton **Marche/Arrêt**, puis tournez le **sélecteur de cycle** sur **RINSE+SPIN (RINÇAGE+ESSORAGE)**.
2. Videz le tambour et maintenez le bouton **Départ/Pause (Hold to Start (maintenir enfoncé pour commencer))** enfoncé.
3. Lorsque le cycle est terminé, fermez les robinets d'eau et débranchez les tuyaux d'eau.
4. Éteignez le lave-linge et débranchez le cordon d'alimentation.
5. Ouvrez le hublot pour faire circuler l'air dans le tambour.

Nettoyer l'extérieur

1. Fermez les robinets d'eau après avoir terminé la lessive de la journée.
Cela permettra de couper l'arrivée d'eau dans votre lave-linge et d'empêcher tout dégât des eaux potentiel.
Laissez le hublot ouvert pour permettre à l'intérieur de votre lave-linge de sécher.
2. Utilisez un chiffon doux pour essuyer les traces de lessive, d'agent de blanchiment ou d'autres produits sur les parois de la machine. Conseils de nettoyage recommandés :
 - Panneau de commande : nettoyez-le avec un chiffon doux et humide. N'utilisez pas de poudres abrasives ni de tampons à récurer. Ne vaporisez aucun produit d'entretien directement sur le panneau de commande.
 - Châssis : nettoyez-le à l'eau et au savon.

Nettoyer l'intérieur

Nettoyez régulièrement le tambour pour enlever la poussière, la saleté, les odeurs, les moisissures ou les bactéries qui pourraient s'y être accumulées après une lessive.

 **ATTENTION**

Le non-respect de ces instructions peut avoir des conséquences désagréables, comme le dégagement d'odeurs désagréables ou le transfert de traces indélébiles sur le lave-linge ou le linge.

 **REMARQUE**

Éliminez les dépôts calcaires si besoin. Utilisez un produit adapté aux lave-linge.



Dépannage

Contrôles

Si vous rencontrez un problème avec le lave-linge, consultez d'abord le tableau ci-dessous et essayez les actions suggérées.

Problème	Action
Le lave-linge ne démarre pas.	<ul style="list-style-type: none"> Assurez-vous que le lave-linge est branché. Assurez-vous que le hublot est correctement fermé. Assurez-vous que les robinets sont ouverts. Assurez-vous d'avoir pressé ou appuyé doucement sur Départ/Pause (Hold to Start (maintenir enfoncé pour commencer)) pour démarrer le lave-linge. Assurez-vous que la fonction Child Lock (Sécurité enfants) n'est pas activée. Avant de se remplir, votre lave-linge émet une série de cliquetis ; ces cliquetis indiquent qu'il vérifie que le hublot est bien verrouillé et qu'il effectue une vidange rapide. Vérifiez les fusibles ou réarmez le disjoncteur.
L'arrivée d'eau est insuffisante ou interrompue.	<ul style="list-style-type: none"> Ouvrez complètement le robinet. Assurez-vous que le hublot est correctement fermé. Assurez-vous que le tuyau d'arrivée d'eau n'est pas gelé. Assurez-vous que le tuyau d'arrivée d'eau n'est pas entortillé ou bouché. Assurez-vous que la pression de l'eau est suffisante.
En fin de cycle, de la lessive subsiste dans le tiroir à lessive.	<ul style="list-style-type: none"> Assurez-vous que la pression d'eau est suffisante pour faire fonctionner le lave-linge. Veillez à verser de la lessive liquide dans le bac à lessive liquide. Pensez à bien retirer le bac à lessive liquide si vous utilisez de la lessive en poudre. Nettoyez le tiroir à lessive.
Le lave-linge vibre d'une manière excessive ou émet du bruit.	<ul style="list-style-type: none"> Assurez-vous que le lave-linge est installé sur un sol plan et solide non glissant. Si le sol n'est pas plan, utilisez les pieds réglables pour ajuster la hauteur du lave-linge. Assurez-vous que les boulons de transport ont été retirés. Assurez-vous que le lave-linge n'est en contact avec aucun autre objet. Assurez-vous que la charge de linge est bien équilibrée. Le moteur peut générer du bruit lors du fonctionnement normal. Des salopettes ou des vêtements comportant des éléments métalliques peuvent générer du bruit lors du lavage. Ceci est tout à fait normal. Des objets métalliques tels que des pièces de monnaie peuvent provoquer du bruit. Après le lavage, retirez ces objets du tambour ou du boîtier du filtre. Retirez le rembourrage des oreillers et coussins et lavez uniquement les taies.



Problème	Action
<p>Le lave-linge ne se vidange pas et/ou n'essore pas.</p>	<ul style="list-style-type: none"> • Assurez-vous que le tuyau de vidange n'est ni emmêlé ni bouché dans l'ensemble du système de vidange. Si la vidange ne s'effectue pas, appelez le service de dépannage. • Assurez-vous que le filtre à impuretés n'est pas bouché. • Fermez le hublot, et pressez ou appuyez doucement sur Départ/Pause (Hold to Start (maintenir enfoncé pour commencer)). Pour des raisons de sécurité, le lave-linge ne tourne et n'essore pas tant que le hublot n'est pas fermé. • Assurez-vous que le tuyau de vidange n'est pas gelé ou bouché. • Assurez-vous que le tuyau de vidange est raccordé à un système de vidange non obstrué. • Si l'alimentation électrique du lave-linge n'est pas suffisante, le lave-linge ne se vidange pas ou n'essore pas temporairement. Dès que l'alimentation électrique est à nouveau suffisante, le lave-linge fonctionne normalement. • Assurez-vous que le tuyau de vidange est inséré de 6 à 8 pouces à l'intérieur de la conduite de vidange. • Assurez-vous que le lave-linge est de niveau.
<p>Le hublot ne s'ouvre pas.</p>	<ul style="list-style-type: none"> • Pressez ou appuyez doucement sur Départ/Pause (Hold to Start (maintenir enfoncé pour commencer)) pour arrêter le lave-linge. • Le mécanisme de verrouillage du hublot se débloque après quelques minutes. • Vérifiez que toute l'eau dans le tambour a été vidangée. • Le hublot ne s'ouvre pas s'il reste de l'eau dans le tambour. Vidangez le tambour et ouvrez le hublot manuellement. • Vérifiez que le voyant de verrouillage du hublot est éteint. Le voyant de verrouillage du hublot s'éteint après la vidange du lave-linge. • Si le lave-linge est mis en pause après qu'il ait été alimenté en eau, le hublot ne peut être ouvert qu'après un délai d'une minute. Si la vidange s'effectue suivie du code d'information sur l'écran, le hublot ne s'ouvre pas avant un délai de 3 minutes après l'arrêt du lave-linge ou la mise hors tension. • La porte ne s'ouvre pas si vous avez débranché le cordon d'alimentation alors que l'appareil était en marche. <ul style="list-style-type: none"> - Branchez le cordon d'alimentation et remettez l'appareil sous tension. Ensuite, désactivez la fonction Sécurité enfants si nécessaire, puis maintenez le bouton Départ/Pause (Hold to Start (maintenir enfoncé pour commencer)) enfoncé pour arrêter le fonctionnement.

Dépannage

Problème	Action
Quantité de mousse trop importante.	<ul style="list-style-type: none">• Assurez-vous d'utiliser les types et quantités de lessive recommandés.• Utilisez une lessive haute efficacité pour empêcher la surproduction de mousse.• Réduisez la quantité de lessive pour les lavages à l'eau douce, les petites charges ou pour le linge peu sale.• N'utilisez pas de lessive non HE.
Impossible d'ajouter de la lessive.	<ul style="list-style-type: none">• Assurez-vous que la quantité de lessive et d'assouplissant restante ne dépasse pas la limite.
Le lave-linge s'arrête.	<ul style="list-style-type: none">• Branchez le cordon d'alimentation sur une prise électrique qui fonctionne.• Vérifiez les fusibles ou réarmez le disjoncteur.• Fermez le hublot et appuyez sur Départ/Pause (Hold to Start (maintenir enfoncé pour commencer)) pour démarrer le lave-linge. Pour des raisons de sécurité, le lave-linge ne tourne et n'essore pas tant que le hublot n'est pas fermé.• Avant de se remplir, votre lave-linge émet une série de cliquetis ; ces cliquetis indiquent qu'il vérifie que le hublot est bien verrouillé et qu'il effectue une vidange rapide.• Le cycle peut comporter une phase de pause ou de trempage. Attendez un peu : le lave-linge devrait se remettre en marche.• Assurez-vous que le filtre à maille du tuyau d'arrivée d'eau sur les robinets n'est pas obstrué. Nettoyez le filtre à maille régulièrement.• Si l'alimentation électrique du lave-linge n'est pas suffisante, le lave-linge ne se vidange pas ou n'essore pas temporairement. Dès que l'alimentation électrique est à nouveau suffisante, le lave-linge fonctionne normalement.

Problème	Action
La température de l'eau lors du remplissage n'est pas correcte.	<ul style="list-style-type: none"> • Ouvrez entièrement les deux robinets. • Vérifiez le choix de la température. • Assurez-vous que les tuyaux sont branchés sur les bons robinets. Rincez les canalisations d'eau. • Assurez-vous que votre chauffe-eau est réglé de sorte de fournir de l'eau chaude dont la température minimale est de 120 °F (49 °C) au robinet. Vérifiez également la capacité et le taux de récupération du chauffe-eau. • Débranchez les tuyaux et nettoyez les filtres à maille. Les filtres à maille peuvent être obstrués. • Lors du remplissage du lave-linge, la température de l'eau est susceptible de varier car la fonction de contrôle automatique de la température vérifie la température de l'eau entrante. Ceci est tout à fait normal. • Lors du remplissage du lave-linge, vous pouvez remarquer que de seule de l'eau chaude et/ou froide passe par le distributeur alors que des températures froides ou chaudes sont sélectionnées. Ceci est tout à fait normal ; ce phénomène est dû à la fonction de contrôle automatique de la température chargée d'établir la température de l'eau.
Le linge n'est pas correctement essoré à la fin d'un cycle.	<ul style="list-style-type: none"> • Utilisez la vitesse d'essorage High (Élevée) ou Extra High (Très élevée). • Utilisez une lessive haute efficacité pour réduire la production de mousse. • Il n'y a pas assez de linge. De petites charges (un ou deux articles) risquent de mal se répartir et donc de mal être essorées. • Assurez-vous que le tuyau de vidange n'est pas emmêlé ou bouché.
De l'eau fuit du lave-linge.	<ul style="list-style-type: none"> • Assurez-vous que le hublot est correctement fermé. • Vérifiez que tous les raccordements des tuyaux sont bien serrés. • Assurez-vous que l'extrémité du tuyau de vidange est bien insérée et fixée au système de vidange. • Éviter toute surcharge. • Utilisez une lessive haute efficacité pour empêcher la surproduction de mousse.
Présence d'odeurs.	<ul style="list-style-type: none"> • De la mousse trop importante s'accumule dans les renforcements et peut entraîner de mauvaises odeurs. • Exécutez des cycles de lavage pour stériliser de temps en temps. • Nettoyez le joint du hublot (diaphragme). • Séchez l'intérieur du lave-linge lorsqu'un cycle est terminé.
Après un cycle, le lave-linge ne s'éteint pas et/ou le hublot ne s'ouvre pas.	<ul style="list-style-type: none"> • Si le voyant SELF CLEAN (AUTO-NETTOYAGE)⁺ est allumé, sortez tout le linge du tambour, puis lancez le cycle SELF CLEAN (AUTO-NETTOYAGE)⁺.

Si un problème persiste, prenez contact avec un centre de réparation Samsung local.



Dépannage

Codes d'erreur

En cas de dysfonctionnement de votre lave-linge, un code d'information peut apparaître sur l'écran. Consultez le tableau ci-dessous et essayez les suggestions proposées.

Code	Action
1C	<p>Contrôlez le capteur du niveau d'eau.</p> <ul style="list-style-type: none"> • Mettez le lave-linge hors tension. Attendez 2 à 3 minutes, mettez le lave-linge sous tension, puis réessayez. • En fonction du modèle, le système d'évacuation peut vidanger l'eau automatiquement. Les boutons Marche/Arrêt et Départ/Pause (Hold to Start (maintenir enfoncé pour commencer)) peuvent être désactivés pendant ce processus.
DC	<p>Le hublot est ouvert.</p> <ul style="list-style-type: none"> • Fermez le hublot et appuyez sur Départ/Pause (Hold to Start (maintenir enfoncé pour commencer)) pour reprendre l'opération.
DC1	<p>Contrôlez l'interrupteur du hublot.</p> <ul style="list-style-type: none"> • Mettez le lave-linge hors tension. Attendez 2 à 3 minutes, mettez le lave-linge sous tension, puis réessayez.
LC	<p>Vérifiez l'absence de fuites d'eau.</p> <ul style="list-style-type: none"> • Mettez le lave-linge hors tension, puis vérifiez l'absence de fuites au niveau du système d'évacuation. Une fois le problème de fuite résolu, mettez le lave-linge sous tension. • En fonction du modèle, le système d'évacuation peut vidanger l'eau automatiquement. Les boutons Marche/Arrêt et Départ/Pause (Hold to Start (maintenir enfoncé pour commencer)) peuvent être désactivés pendant ce processus.
4C	<p>Vérifiez le tuyau d'arrivée d'eau.</p> <ul style="list-style-type: none"> • Vérifiez le bon raccordement des tuyaux d'arrivée d'eau (y compris les robinets d'eau). • Mettez le lave-linge hors tension. Attendez 2 à 3 minutes, mettez le lave-linge sous tension, puis réessayez. • En fonction du modèle, le système d'évacuation peut vidanger l'eau automatiquement. Les boutons Marche/Arrêt et Départ/Pause (Hold to Start (maintenir enfoncé pour commencer)) peuvent être désactivés pendant ce processus.
4C2	<p>Le linge a besoin d'une protection car l'eau alimentée est trop chaude.</p> <ul style="list-style-type: none"> • Assurez-vous que les robinets d'eau froide et chaude sont correctement raccordés. • Mettez le lave-linge hors tension. Attendez 2 à 3 minutes, mettez le lave-linge sous tension, puis réessayez.
5C	<p>Vérifiez le système d'évacuation.</p> <ul style="list-style-type: none"> • Assurez-vous que le filtre de vidange n'est pas obstrué. • Si le filtre de vidange est obstrué, nettoyez-le puis redémarrez le lave-linge.



Code	Action
HC	<p>Contrôlez la résistance de lavage.</p> <ul style="list-style-type: none"> • Mettez le lave-linge hors tension, puis prenez contact avec un centre de réparation Samsung.
UB	<p>Vérifiez le processus d'essorage.</p> <ul style="list-style-type: none"> • Il se peut que la charge ne soit pas équilibrée à l'intérieur du tambour. Vérifiez le tambour et assurez-vous que la charge est bien équilibrée. • Appuyez sur le bouton Départ/Pause (Hold to Start (maintenir enfoncé pour commencer)) pour reprendre l'opération ou mettez le lave-linge hors tension. Ensuite, attendez 2 à 3 minutes, mettez le lave-linge sous tension, puis réessayez.
8C, 8C1, 8C2	<p>Contrôlez le capteur MEMS.</p> <ul style="list-style-type: none"> • Mettez le lave-linge hors tension. Attendez 2 à 3 minutes, mettez le lave-linge sous tension, puis réessayez.
OC	<p>L'eau risque de déborder.</p> <ul style="list-style-type: none"> • Fermez la vanne d'arrivée d'eau et appelez le service d'assistance.
3C	<p>Contrôlez le moteur.</p> <ul style="list-style-type: none"> • Mettez le lave-linge hors tension. Attendez 2 à 3 minutes, mettez le lave-linge sous tension, puis réessayez.
AC6	<p>Vérifiez l'état de communication de la carte de circuit imprimé.</p> <ul style="list-style-type: none"> • Mettez le lave-linge hors tension. Attendez 2 à 3 minutes, mettez le lave-linge sous tension, puis réessayez.
9C1, 9C2	<p>Le contrôle électronique doit être vérifié.</p> <ul style="list-style-type: none"> • Vérifiez si l'alimentation électrique est correctement fournie. • Si le code d'information subsiste, prenez contact avec un centre de réparation Samsung.
SF	<p>Défaillance du système.</p> <ul style="list-style-type: none"> • Mettez le lave-linge hors tension, puis prenez contact avec un centre de réparation Samsung.





Si un code d'information demeure affiché sur l'écran, prenez contact avec un centre de réparation Samsung local.

Caractéristiques techniques

Tableau des symboles textiles

Les symboles suivants fournissent des conseils d'entretien des vêtements. Les étiquettes d'entretien des vêtements incluent des symboles relatifs au séchage, au blanchiment, au séchage et repassage ou au nettoyage à sec, le cas échéant. L'utilisation de ces symboles garantit la cohérence des informations entre les fabricants de vêtements (articles domestiques ou importés). Suivez les directives figurant sur l'étiquette d'entretien afin d'optimiser la durée de vie de votre linge et d'éviter des problèmes de lavage.

Cycle de lavage

	Normal
	Infroissables/Infroissable/Anti-froissage
	Gentle/Délicat
	Lavage main




Température de l'eau

•••	Chaude
••	Tiède
•	Froide



REMARQUE

La plage de températures pour Chaude est 135 °F (57 °C) ou en dessous, de 95 °F (35 °C) ou en dessous pour Tiède, et de 68 °F (20 °C) ou en dessous pour Froide. La température de l'eau de lavage doit être d'au moins 60 °F (16 °C) pour activer les agents nettoyants et obtenir un lavage efficace.




Agent de blanchiment

	Tout type (si nécessaire)
	Agent de blanchiment non chloré (non décolorant) uniquement (si nécessaire)
	Séchage en machine






Normal

	Infroissables/Infroissable/Anti-froissage
	Gentle/Délicat

Instructions spéciales

	Séchage en suspension
	Séchage sans essorage
	Séchage à plat

Température

	Élevée
	Moyenne
	Basse
	Toutes températures
	Sans chaleur/À l'air libre

Températures de repassage facile ou vapeur

	Élevée
	Moyenne
	Basse

Symboles d'avertissement pour le lavage

	Ne pas laver
	Ne pas tordre
	Pas de chlorage
	Séchage en machine interdit
	Pas de vapeur (ajoutée au fer à repasser)
	Pas de repassage

Nettoyage à sec

	Nettoyage à sec
	Pas de nettoyage à sec
	Séchage sur corde/en suspension
	Séchage sans essorage
	Séchage à plat

Protection de l'environnement

- Cet appareil a été fabriqué à partir de matériaux recyclables. Si vous décidez de vous en débarrasser, veuillez respecter les normes locales en matière de traitement des déchets. Coupez le cordon d'alimentation de façon à ce que l'appareil ne puisse pas être raccordé à une source électrique. Enlevez le couvercle pour que des animaux et des jeunes enfants ne se retrouvent pas piégés à l'intérieur de l'appareil.
- Ne dépassez pas les quantités de lessive préconisées par le fabricant de la lessive.
- N'utilisez de produits détachants et blanchissants avant le cycle de lavage qu'en cas de nécessité.
- Économisez de l'eau et de l'électricité en ne faisant tourner que des charges pleines (la charge exacte dépend du cycle utilisé).

Déclaration de conformité

Cet appareil est conforme à la norme UL2157.

Caractéristiques techniques

Fiche de caractéristiques techniques

Type		Lave-linge à chargement frontal	
		WF50BG83**A*	
Pression d'eau (psi (kPa))		20 à 116 (137 à 800)	
Poids NET (lb (kg))		216 (98,0)	
Vitesse d'essorage		1200 tr/min	
Puissance de chauffe		900 W	
Consommation d'énergie	Lavage	120 V	200 W
	Lavage et chauffage		1150 W
	Essorage		550 W
	Vidange		80 W

GARANTIE LIMITÉE (ÉTATS-UNIS)

LAVE-LINGE SAMSUNG

GARANTIE LIMITÉE POUR L'ACHETEUR-CONSUMMATEUR INITIAL AVEC PREUVE D'ACHAT

Cet appareil de la marque SAMSUNG, fourni, distribué par SAMSUNG ELECTRONICS AMERICA, INC. (SAMSUNG) et livré neuf, dans son emballage d'origine à l'acheteur initial, est garanti par SAMSUNG contre tout défaut de fabrication relatif aux matériaux et à la qualité d'exécution, pour une période de garantie limitée, commençant à la date d'achat initial, de :

Un (1) an (pièces et main d'œuvre) ;

Trois (3) ans pour les pièces du tambour en acier inoxydable (pièces uniquement) ;

Dix (10) ans pour les pièces du moteur de lavage à entraînement direct (pièces uniquement).

Cette garantie limitée ne s'applique qu'aux appareils achetés et utilisés aux États-Unis qui ont été installés, utilisés et entretenus conformément aux instructions jointes ou fournies avec l'appareil. Pour bénéficier d'une intervention dans le cadre de la présente garantie, l'acheteur doit contacter la société SAMSUNG à l'adresse ou au numéro de téléphone indiqués ci-dessous, afin qu'elle détermine l'origine du problème et une procédure de réparation. Les interventions dans le cadre de la présente garantie peuvent être effectuées uniquement par un centre de réparation agréé SAMSUNG. Lors de la remise d'un appareil défectueux à SAMSUNG ou à un centre de réparation agréé SAMSUNG, l'acheteur est tenu de présenter la facture d'achat datée originale sur demande, à titre de preuve d'achat, pour pouvoir bénéficier d'une intervention dans le cadre de la présente garantie.

SAMSUNG assurera gratuitement une intervention à domicile au sein des États-Unis contigus durant la période de garantie, sous réserve de disponibilité des techniciens agréés SAMSUNG au sein de la zone géographique du client. Si l'intervention à domicile n'est pas possible, SAMSUNG peut, à sa propre discrétion, choisir de prendre à sa charge le transport aller/retour de l'appareil vers un centre de réparation agréé. Si l'appareil se trouve dans une zone où l'intervention par un technicien agréé SAMSUNG n'est pas possible, il se peut que vous deviez prendre en charge des frais de transport ou transporter l'appareil vers un centre de réparation agréé SAMSUNG pour le faire réparer.

Pour bénéficier d'une intervention à domicile, l'appareil doit être situé dans un emplacement accessible à notre personnel.

Durant la période de garantie applicable, un appareil sera réparé, remplacé ou remboursé à hauteur de son prix d'achat, à la seule discrétion de SAMSUNG. Il se peut que SAMSUNG utilise des pièces neuves ou reconditionnées pour réparer un appareil, ou remplace l'appareil par un appareil neuf ou reconditionné. Les pièces et appareils de rechange sont garantis pendant la partie restante de la période de garantie initiale de l'appareil, ou bien durant quatre-vingt-dix (90) jours, selon la période qui est la plus longue. Toutes les pièces et tous les appareils remplacés sont la propriété de SAMSUNG et vous devez les retourner à SAMSUNG.

GARANTIE LIMITÉE (ÉTATS-UNIS)

La présente garantie limitée couvre les vices de fabrication relatifs aux matériaux ou à la qualité d'exécution survenant dans le cadre d'une utilisation domestique normale et non commerciale de cet appareil et ne s'applique pas dans les cas suivants : dommages survenant lors du transport, de la livraison, de l'installation et de toute utilisation non conforme de l'appareil ; dommages causés par une modification ou altération non autorisée de l'appareil ; appareil dont le numéro de série d'origine a été effacé, dégradé, modifié d'une quelconque façon ou rendu difficile à lire ; dommages de nature esthétique notamment les rayures, bosses, éclats et autres dommages infligés à la finition de l'appareil ; dommages causés par une utilisation abusive ou inappropriée, par la prolifération d'insectes nuisibles, un accident, un incendie, une inondation ou d'autres catastrophes naturelles ; dommages causés par l'utilisation d'équipements, de systèmes, de services, de pièces, de fournitures, d'accessoires, d'applications, d'installations, de réparations, de câblages externes ou de connecteurs non fournis ou autorisés par SAMSUNG ; dommages causés par toute surtension, fluctuation ou courant/tension de ligne électrique incorrect(e) ; dommages causés par le non-respect des instructions d'utilisation et d'entretien de l'appareil ; intervention à domicile pour expliquer comment utiliser l'appareil ; et intervention visant à corriger une installation non conforme aux codes électriques ou de plomberie ou correction de l'installation électrique ou de plomberie du domicile (c.-à-d. câblage électrique du domicile, fusibles ou tuyaux d'arrivée d'eau). Le coût des réparations ou du remplacement dans le cadre de ces circonstances faisant l'objet d'une exclusion sera à la charge du client.

Les interventions par un technicien agréé destinées à expliquer les fonctions, la maintenance ou l'installation de l'appareil ne sont pas couvertes par la présente garantie limitée. Veuillez prendre contact avec SAMSUNG au numéro figurant ci-dessous pour obtenir de l'aide sur l'une de ces questions.

EXCLUSION DES GARANTIES IMPLICITES

LES GARANTIES IMPLICITES, Y COMPRIS LES GARANTIES IMPLICITES DE QUALITÉ MARCHANDE OU D'ADÉQUATION À UN USAGE PARTICULIER, SONT LIMITÉES À UN AN OU À LA PLUS COURTE PÉRIODE AUTORISÉE PAR LA LOI. Certains États n'autorisent pas les limitations de durée d'une garantie implicite ; il se peut donc que les limitations ou exclusions spécifiées ci-dessus ne s'appliquent pas à votre cas. La présente garantie vous octroie des droits spécifiques, ainsi que d'autres variant d'un État à un autre.

LIMITE DE RECOURS

VOTRE SEUL RECOURS EXCLUSIF EST UNE RÉPARATION DE L'APPAREIL, UN REMPLACEMENT DE L'APPAREIL OU UN REMBOURSEMENT DU PRIX D'ACHAT, À LA DISCRÉTION DE SAMSUNG, COMME ACCORDÉ DANS LE CADRE DE LA PRÉSENTE GARANTIE LIMITÉE. SAMSUNG NE POURRA ÊTRE TENU RESPONSABLE DES DOMMAGES PARTICULIERS, ACCESSOIRES OU IMMATÉRIELS, NOTAMMENT MAIS SANS POUR AUTANT S'Y LIMITER LES TEMPS DE TRAJET DEPUIS LE LIEU DE TRAVAIL, LES FRAIS D'HÔTEL ET/OU REPAS EN RESTAURANT, LES DÉPENSES DE RÉNOVATION, LES PERTES DE REVENUS OU DE BÉNÉFICES, L'IMPOSSIBILITÉ DE RÉALISER DES ÉCONOMIES OU AUTRES BÉNÉFICES QUELLE QUE SOIT LA THÉORIE JURIDIQUE SUR LAQUELLE LA RÉCLAMATION EST FONDÉE, ET CE MÊME SI SAMSUNG A ÉTÉ AVERTI DE LA POSSIBILITÉ DE TELS DOMMAGES. Certains États n'autorisent pas les exclusions ou limitations relatives aux dommages accessoires ou immatériels ; il se peut donc que les limitations ou exclusions spécifiées ci-dessus ne s'appliquent pas à votre cas. La présente garantie vous octroie des droits spécifiques, ainsi que d'autres variant d'un État à un autre.

SAMSUNG ne garantit pas que l'appareil sera exempt de tout problème ou qu'il fonctionnera sans interruption. Aucune garantie, qu'elle soit donnée par un autre tiers, une autre entreprise ou une autre personne morale, ne pourra être considérée comme un engagement vis-à-vis de SAMSUNG.

Pour bénéficier d'une intervention dans le cadre de la présente garantie, veuillez prendre contact avec SAMSUNG à l'adresse suivante :

Samsung Electronics America, Inc.

85 Challenger Road

Ridgefield Park, NJ 07660

1-800-SAMSUNG (726-7864)

www.samsung.com/us/support

Garantie (CANADA)

LAVE-LINGE SAMSUNG

GARANTIE LIMITÉE À L'ACHETEUR INITIAL

Ce produit de la marque SAMSUNG, tel que fourni et distribué par SAMSUNG ELECTRONICS CANADA, INC. (SAMSUNG) et livré neuf, s'accompagne d'une garantie de SAMSUNG contre tout vice de fabrication au niveau des pièces et de la main d'œuvre pendant une période limitée de :

Un (1) an pour les pièces et la main d'œuvre ; Dix (10) ans pour les pièces du moteur de lavage à entraînement direct (pièces uniquement).

Cette limite de garantie s'applique à compter de la date d'acquisition et couvre uniquement les produits achetés et utilisés au Canada. Pour bénéficier de réparations dans le cadre de la présente garantie, l'acheteur doit contacter la société SAMSUNG afin qu'elle détermine l'origine du problème et une procédure de réparation. Les services de garantie peuvent être pris en charge uniquement par un centre de service agréé SAMSUNG. Lors de la remise d'un produit défectueux à SAMSUNG ou à un centre de service agréé SAMSUNG, l'acheteur est tenu de présenter le coupon d'achat d'origine à la demande des intéressés à titre de preuve d'achat. SAMSUNG assurera un service de réparation gratuit à domicile pendant la période de garantie sujet à la disponibilité au Canada. Le service à domicile n'est pas disponible pour toutes les zones.

Pour bénéficier du service à domicile, l'appareil doit être situé dans un emplacement accessible à notre personnel. Si ce service n'est pas disponible, SAMSUNG peut choisir de prendre à sa charge le transport aller/retour du produit vers un centre de service agréé.

La société SAMSUNG prendra en charge, à sa convenance, la réparation, le remplacement ou le remboursement du produit tel que stipulé dans les présentes conditions et procédera au remplacement ou au reconditionnement des pièces ou des produits si ces derniers s'avèrent défectueux dans la limite de la période de garantie mentionnée précédemment. Toutes les pièces et tous les produits remplacés deviennent la propriété de SAMSUNG et doivent être retournés à SAMSUNG. Les pièces de rechange et les produits sont couverts pour la période restante de garantie ou quatre-vingt-dix (90) jours, si la période de garantie est inférieure à 90 jours. La garantie limitée couvre les vices de fabrication relatifs aux matériaux et à la qualité d'exécution survenus dans le cadre d'une utilisation normale et non commerciale du produit et ne s'applique pas aux causes suivantes, comprenant, mais ne se limitant pas à : tout dommage survenant au cours de l'expédition, de la livraison et de l'installation ; toute utilisation de l'appareil contraire au but auquel il était destiné ; tout numéro de produit ou de série effacé ; tout dommage du revêtement extérieur ou de l'aspect du produit ; tout dommage causé par un accident, une utilisation non conforme, une négligence, un incendie ou une inondation, la foudre ou une autre catastrophe naturelle ; toute utilisation de produits, d'équipements, de systèmes, d'appareils, de services, de pièces, de fournitures, d'accessoires, d'applications, d'installations, de réparations, de câblages externes ou de connecteurs non fournis ou autorisés par SAMSUNG et susceptibles d'endommager ledit appareil ou de nuire à son fonctionnement ; toute surtension, fluctuation ou tension de ligne électrique incorrecte ; tout réglage effectué par l'acheteur et tout non-respect des consignes d'utilisation, de maintenance et de respect de l'environnement couvertes ou prescrites dans le présent carnet d'entretien ; tout démontage ou toute réinstallation de l'appareil ; tout problème résultant d'une prolifération d'insectes nuisibles. Cette garantie limitée ne couvre pas les problèmes résultant d'un courant, d'une tension ou d'une alimentation électrique incorrects, ainsi que d'ampoules électriques, de fusibles ou de câblage inappropriés. Elle ne couvre pas non plus le coût des appels au service d'assistance pour obtenir des instructions ou la réparation des erreurs d'installation. SAMSUNG ne garantit pas que l'appareil sera exempt de tout problème ou qu'il fonctionnera sans interruption.

SAUF EXCEPTION MENTIONNÉE DANS LE PRÉSENT DOCUMENT, SAMSUNG NE FOURNIT AUCUNE GARANTIE EXPRESSE OU IMPLICITE QUANT À CET APPAREIL, Y COMPRIS, MAIS SANS S'Y LIMITER, LES GARANTIES IMPLICITES DE QUALITÉ MARCHANDE, DE CONTREFAÇON OU D'APTITUDE À UN USAGE PARTICULIER.

AUCUNE GARANTIE, QU'ELLE SOIT DONNÉE PAR UN TIERS, UNE ENTREPRISE OU UNE PERSONNE MORALE, NE POURRA ÊTRE CONSIDÉRÉE COMME UN ENGAGEMENT VIS-À-VIS DE SAMSUNG. SAMSUNG NE SERA AUCUNEMENT RESPONSABLE EN CAS DE PERTE DE BÉNÉFICES, DE MANQUE À GAGNER, D'INCAPACITÉ À RÉALISER DES ÉCONOMIES OU TOUT AUTRE AVANTAGE FINANCIER OU D'AUTRES DOMMAGES SPÉCIAUX, ACCESSOIRES OU INDIRECTS RÉSULTANT DE L'UTILISATION OU D'UNE MAUVAISE UTILISATION DE CET APPAREIL OU D'UNE INCAPACITÉ À UTILISER CET APPAREIL, QUELLE QUE SOIT LA BASE JURIDIQUE INVOQUÉE POUR JUSTIFIER L'ASSERTION ET MÊME SI SAMSUNG A ÉTÉ AVISÉ DE L'ÉVENTUALITÉ DE TELS DOMMAGES.

LES INDEMNITÉS FINANCIÈRES EXIGÉES AUPRÈS DE SAMSUNG NE POURRONT EN AUCUN CAS EXCÉDER LE PRIX D'ACHAT DU PRODUIT VENDU PAR SAMSUNG ET À L'ORIGINE DES DOMMAGES INVOQUÉS. SANS LIMITATION AUX DISPOSITIONS SUSDITES, L'ACHETEUR ASSUME TOUTS LES RISQUES ET TOUTES LES RESPONSABILITÉS EN CAS DE PERTE, DE DOMMAGES OU DE BLESSURES ÉVENTUELLES INFLIGÉS À L'ACHETEUR ET AUX BIENS DE CELUI-CI ET À TOUTE AUTRE PERSONNE ET AUX BIENS DE CELLE-CI RÉSULTANT DE L'UTILISATION OU DE LA MAUVAISE UTILISATION DE L'APPAREIL OU DE L'INCAPACITÉ À L'UTILISER. CETTE GARANTIE LIMITÉE N'EST VALABLE POUR PERSONNE D'AUTRE QUE L'ACHETEUR INITIAL DU PRODUIT, N'EST PAS TRANSFÉRABLE ET ÉNONCE VOTRE RECOURS EXCLUSIF.

Garantie (CANADA)

Certaines provinces n'autorisent pas de limitations quant à la durée des garanties implicites ni l'exclusion ou la limitation de dommages accessoires ou indirects ; il se peut par conséquent que les limitations et exclusions énoncées ci-dessus ne s'appliquent pas à votre cas.

La présente garantie vous octroie des droits spécifiques, ainsi que d'autres variant d'une province à une autre.

Pour bénéficier d'un service d'assistance couvert par votre garantie, contactez SAMSUNG à l'adresse suivante :

Samsung Electronics Canada Inc.

2050 Derry Road West,

Mississauga, Ontario L5N 0B9 Canada

1-800-SAMSUNG (726-7864)

www.samsung.com/ca/support (English)

www.samsung.com/ca_fr/support (French)

FAX : 1-866-436-4617

Les visites des techniciens de maintenance destinées à expliquer les fonctions, la maintenance ou l'installation n'est pas couverte par la garantie.

Veuillez contacter votre agent d'appel Samsung pour obtenir de l'aide sur l'une de ces questions.

Mémo

Mémo

Mémo

SAMSUNG



Scan the QR code* or visit
www.samsung.com/spsn
to view our helpful
How-to Videos and Live Shows

*Requires reader to be installed on your smartphone

Scan this with your smartphone

DES QUESTIONS OU DES COMMENTAIRES ?

PAYS	APPELEZ LE	OU RENDEZ-VOUS SUR LE SITE
U.S.A	1-800-SAMSUNG (726-7864)	www.samsung.com/us/support
CANADA	1-800-SAMSUNG(726-7864)	www.samsung.com/ca/support (English) www.samsung.com/ca_fr/support (French)



DC68-04355B-00

A black and white artistic photograph of water splashing, creating a dynamic and textured background. The water droplets are captured in mid-air, creating a sense of movement and freshness. The lighting highlights the individual droplets and the overall flow of the water.

Lavadora

Manual del usuario

WF50BG83**A*

SAMSUNG



Contenido

Información sobre seguridad	4
Lo que necesita saber sobre las instrucciones de seguridad	4
Símbolos de seguridad importantes	4
Precauciones de seguridad importantes	5
PROPOSICIÓN 65 DE CALIFORNIA: ADVERTENCIA	5
Advertencias fundamentales para la instalación	6
Precauciones para la instalación	7
Advertencias fundamentales para el uso	7
Precauciones de uso	9
Advertencias fundamentales para la limpieza	12
Aviso regulatorio	13
Aviso para FCC	13
Aviso IC	14
Anuncio sobre código abierto	15
Instalación	16
Desempaque de la lavadora	16
Componentes	17
Requisitos de instalación	19
Instalación paso a paso	23
Antes de comenzar	28
Configuración inicial	28
Pautas de lavado	28
Pautas para el cajón para detergente	30
Funcionamiento	33
Panel de control	33
Sencillos pasos para comenzar	37
Descripción de los ciclos	38
Tabla de ciclos	39
Funciones especiales	41
SmartThings	44



Mantenimiento	45
Autolimpieza ⁺	45
Smart Care	46
Drenaje de emergencia	47
Limpieza	48
Recuperación de un congelamiento	52
Mantenimiento luego de un período prolongado sin utilizar la lavadora	52
Limpieza del exterior	53
Limpieza del interior	53
Solución de problemas	54
Verificaciones	54
Códigos de información	58
Especificaciones	60
Tabla de indicaciones sobre telas	60
Protección del medio ambiente	61
Declaración de conformidad	61
Hoja de especificaciones	62

Información sobre seguridad

Felicitaciones por la compra de la nueva lavadora Samsung. Este manual contiene información importante acerca de la instalación, el uso y el cuidado del electrodoméstico. Lea detenidamente estas instrucciones a fin de aprovechar al máximo los múltiples beneficios y funciones de la lavadora.

Lo que necesita saber sobre las instrucciones de seguridad

Lea este manual detenidamente para aprender a utilizar con seguridad y eficacia todas las características y funciones de su nuevo electrodoméstico. Conserve el manual en un lugar seguro cerca del electrodoméstico para consultas futuras. Utilice este electrodoméstico solo para el propósito para el que fue destinado como se describe en este manual.

Las advertencias y las instrucciones de seguridad importantes de este manual no cubren todas las posibles condiciones y situaciones que pueden ocurrir. Es su responsabilidad actuar con sentido común, precaución y cuidado cuando instale, realice el mantenimiento y ponga en funcionamiento la lavadora.

Puesto que las siguientes instrucciones de funcionamiento sirven para varios modelos, las características de su lavadora pueden diferir ligeramente de las que se describen en este manual y es posible que no todos los signos de advertencia sean aplicables. Si tiene alguna consulta o duda, comuníquese con el centro de servicio más cercano o busque ayuda e información en línea en www.samsung.com.

Símbolos de seguridad importantes

Los íconos y las señales incluidas en este manual del usuario significan lo siguiente:

ADVERTENCIA

Peligros o prácticas inseguras que podrían causar **lesiones físicas graves, la muerte y/o daños materiales.**

PRECAUCIÓN

Peligros o prácticas inseguras que podrían causar **lesiones físicas y/o daños materiales.**

NOTA

Indica que existe el riesgo de lesiones físicas o daños materiales.

Estas señales de advertencia tienen por objeto evitar que usted u otras personas sufran lesiones.

Sígalas completamente.

Después de leer este manual, guárdelo en un lugar seguro para consultas futuras.

Lea todas las instrucciones antes de usar el electrodoméstico.

Al igual que con cualquier equipo que usa electricidad y piezas móviles, existen riesgos potenciales. Para usar este electrodoméstico en forma segura, familiarícese con su funcionamiento y manéjelo con cuidado cuando lo use.

CONSERVE ESTAS INSTRUCCIONES

Precauciones de seguridad importantes

ADVERTENCIA

Para reducir el riesgo de incendio, descarga eléctrica o lesiones físicas cuando usa este electrodoméstico, siga las instrucciones de seguridad básicas que figuran a continuación:

1. Lea todas las instrucciones antes de usar el electrodoméstico.
2. No lave ni seque prendas que se han limpiado, lavado, remojado o salpicado previamente con gasolina, solventes de limpieza en seco u otras sustancias inflamables o explosivas, ya que emiten vapores que pueden encenderse o explotar.
3. No permita que los niños jueguen sobre el electrodoméstico ni dentro de él. Se requiere de supervisión cuando el electrodoméstico es utilizado cerca de los niños.
4. Antes de descartar el electrodoméstico o de trasladarlo para que se le efectúe el servicio técnico, retire la puerta del compartimiento de la lavadora o la secadora.
5. No introduzca la mano en el electrodoméstico si la tina está en movimiento.
6. No instale ni almacene este electrodoméstico donde quede expuesto a los factores climáticos.
7. No modifique los controles.
8. No repare, reemplace ni intente realizar el mantenimiento de ninguna pieza del electrodoméstico salvo que esté recomendado específicamente en las instrucciones de mantenimiento del usuario o en las instrucciones de reparación para el usuario publicadas y que, a su juicio, usted tenga la habilidad para llevarlas a cabo.
9. No agregue gasolina, solventes de limpieza en seco u otras sustancias inflamables o explosivas al agua del lavado. Estas sustancias emiten vapores que pueden encenderse o explotar.
10. En ciertas circunstancias, puede producirse gas hidrógeno en un sistema de agua caliente que no se ha usado durante 2 semanas o más. EL GAS HIDRÓGENO ES EXPLOSIVO. Si el sistema de agua caliente no fue utilizado durante dicho período, antes de usar la lavadora o la lavadora y la secadora combinadas, abra las llaves del agua caliente y deje correr el agua por varios minutos. De esta manera, se eliminará el gas hidrógeno acumulado. Dado que el gas es inflamable, no fume ni use una llama abierta en ese momento.

PROPOSICIÓN 65 DE CALIFORNIA: ADVERTENCIA

ADVERTENCIA

Cáncer y afecciones reproductivas - www.P65Warnings.ca.gov.

CONSERVE ESTAS INSTRUCCIONES



Información sobre seguridad

Advertencias fundamentales para la instalación

ADVERTENCIA

La instalación de este electrodoméstico la debe efectuar un técnico calificado o una empresa de servicios.

- De lo contrario, pueden producirse descargas eléctricas, incendios, explosiones, problemas con el producto o lesiones.

El electrodoméstico es pesado, tenga cuidado cuando lo levante.

Enchufe el cable de alimentación a un tomacorriente de pared que cumpla las especificaciones eléctricas locales. Utilice el tomacorriente solo con este electrodoméstico y no use un cable prolongador.

- Compartir el tomacorriente de pared con otros electrodomésticos, utilizando un multicontacto o prolongando el cable de alimentación, puede provocar una descarga eléctrica o un incendio.
- Asegúrese de que el voltaje, la frecuencia y la corriente suministrados a la lavadora coincidan con los indicados en las especificaciones del producto. De lo contrario, se puede provocar una descarga eléctrica o un incendio. Enchufe el cable de alimentación firmemente en el tomacorriente de pared.

Retire regularmente todas las sustancias extrañas, como polvo o agua, de los terminales y los puntos de contacto de la alimentación con un paño seco.

- Desenchufe el cable de alimentación y límpielo con un paño seco.
- De lo contrario, se puede provocar una descarga eléctrica o un incendio.

Enchufe el cable de alimentación en un tomacorriente de pared de manera que el cable baje hacia el piso.

- Si enchufa el cable de alimentación en el tomacorriente en la dirección opuesta, los cables eléctricos del interior del cable pueden dañarse y provocar un incendio o una descarga eléctrica.

Mantenga los materiales de empaque fuera del alcance de los niños, ya que son peligrosos para ellos.

- Si un niño mete la cabeza en una bolsa de plástico, se puede asfixiar.

Si el electrodoméstico, el enchufe o el cable de alimentación están dañados, comuníquese con el centro de servicio más cercano.

Este electrodoméstico debe conectarse a tierra correctamente.

La toma de tierra no se debe conectar a una conducción de gas o de agua ni a la línea telefónica.

- Puede provocar una descarga eléctrica, un incendio, una explosión o problemas con el producto.
- Nunca enchufe el cable de alimentación en un tomacorriente que no esté conectado a tierra correctamente. Asegúrese de que el tomacorriente cumpla con las normativas locales y nacionales.

No instale este electrodoméstico cerca de un calefactor o de materiales inflamables.

No instale este electrodoméstico en un lugar húmedo, grasiento o cubierto de polvo, ni lo exponga a la luz directa del sol o al agua (gotas de lluvia).

No instale este electrodoméstico en un lugar donde se registren bajas temperaturas.

- El hielo puede reventar los tubos.

CONSERVE ESTAS INSTRUCCIONES



No instale este electrodoméstico en un lugar donde pueda haber fugas de gas.

- Puede provocar una descarga eléctrica o un incendio.

No utilice transformadores eléctricos para alimentar la lavadora.

- Puede provocar una descarga eléctrica o un incendio.

No utilice un cable de alimentación dañado ni un tomacorriente que esté flojo.

- Puede provocar una descarga eléctrica o un incendio.

No jale el cable de alimentación ni lo doble excesivamente.

No tuerza ni ate el cable de alimentación.

No cuelgue el cable de alimentación de un objeto metálico, no coloque objetos pesados sobre él, no inserte el cable de alimentación entre objetos ni lo empuje en un espacio detrás del electrodoméstico.

- Puede provocar una descarga eléctrica o un incendio.

No jale el cable de alimentación para desenchufarlo.

- Para desenchufar el cable de alimentación, jálelo sujetándolo por el enchufe.
- De lo contrario, se puede provocar una descarga eléctrica o un incendio.

El electrodoméstico debe colocarse en una posición en la que el tomacorriente, las llaves de suministro de agua y los tubos de drenaje sean accesibles.

Precauciones para la instalación

PRECAUCIÓN

Este electrodoméstico debe estar ubicado de manera tal que se pueda acceder fácilmente al enchufe.

- De lo contrario, se puede provocar un incendio o una descarga debido a las fugas eléctricas.

Instale el electrodoméstico sobre una superficie sólida y nivelada que pueda soportar su peso.

- De lo contrario, pueden producirse vibraciones anormales, movimientos, ruidos o problemas con el producto.

Advertencias fundamentales para el uso

ADVERTENCIA

Si el electrodoméstico se inunda, corte inmediatamente el suministro de agua y la alimentación y comuníquese con el centro de servicio más cercano.

- No toque el enchufe con las manos mojadas.
- Se puede provocar una descarga eléctrica.

Si el electrodoméstico genera ruidos extraños, olor a quemado o humo, desconéctelo inmediatamente y llame al centro de servicio más cercano.

- De lo contrario, se puede provocar una descarga eléctrica o un incendio.

CONSERVE ESTAS INSTRUCCIONES



Información sobre seguridad

En caso de fugas de gas (como propano, LP, etc.), ventile inmediatamente sin tocar el enchufe. No toque el electrodoméstico ni el cable de alimentación.

- No utilice un ventilador.
- Una chispa puede provocar un incendio o una explosión.

No permita que los niños jueguen sobre la lavadora o dentro de ella. Además, cuando se deshaga del electrodoméstico, quite el cierre de la puerta de la lavadora.

- Los niños pueden asfixiarse y morir si quedan atrapados dentro del producto.

Asegúrese de quitar el empaque (goma espuma, poliestireno) del fondo de la lavadora antes de utilizarla.

No utilice la lavadora para lavar prendas contaminadas con gasolina, queroseno, benceno, disolventes de pinturas, alcohol u otras sustancias inflamables o explosivas.

- Puede provocar una descarga eléctrica, un incendio o una explosión.

No abra la puerta de la lavadora por la fuerza mientras esté en funcionamiento (lavado a alta temperatura/secado/centrifugado).

- El agua que salga de la lavadora puede causar quemaduras o convertir el suelo en resbaladizo. Puede provocar lesiones.
- Abrir la puerta por la fuerza puede dañar el producto o causar lesiones personales.

No introduzca las manos bajo la lavadora cuando esté en funcionamiento.

- Puede provocar lesiones.

No toque el enchufe con las manos mojadas.

- Puede provocar una descarga eléctrica.

No apague el electrodoméstico desenchufándolo mientras esté en funcionamiento.

- Si vuelve a enchufar el electrodoméstico en el tomacorriente puede originar una chispa y causar una descarga eléctrica o un incendio.

No permita que los niños se suban al electrodoméstico.

- Esto puede provocar una descarga eléctrica, quemaduras o lesiones personales.

No introduzca la mano ni objetos de metal bajo la lavadora mientras esté en funcionamiento.

- Puede provocar lesiones.

No desenchufe el electrodoméstico jalando el cable de alimentación. Sujete siempre el enchufe firmemente y extráigalo en línea recta.

- Un cable de alimentación dañado puede provocar un cortocircuito, un incendio o una descarga eléctrica.

No trate de reparar, desensamblar ni modificar el electrodoméstico usted mismo.

- No utilice un fusible (de cobre, cable de acero, etc.) que no sea el estándar.
- Cuando deba reparar o volver a instalar el electrodoméstico, comuníquese con el centro de servicio más cercano.
- De lo contrario, se puede provocar una descarga eléctrica, un incendio, problemas con el producto o lesiones.

CONSERVE ESTAS INSTRUCCIONES



Si se afloja la manguera de suministro de agua de la llave de agua y se inunda el electrodoméstico, desenchufe el cable de alimentación.

- De lo contrario, se puede provocar una descarga eléctrica o un incendio.

Desenchufe el electrodoméstico si no lo va a utilizar durante un período prolongado o durante una tormenta eléctrica.

- De lo contrario, se puede provocar una descarga eléctrica o un incendio.

Si entra alguna sustancia extraña en el electrodoméstico, desenchufe el cable de alimentación y comuníquese con el centro de atención al cliente de Samsung más cercano.

- Puede provocar una descarga eléctrica o un incendio.

No permita que los niños (ni las mascotas) jueguen encima o dentro de la lavadora. La puerta de la lavadora no se abre con facilidad desde el interior, y los niños podrían lastimarse gravemente si quedaran atrapados adentro.

Precauciones de uso

PRECAUCIÓN

Si la lavadora está contaminada por sustancias extrañas, tales como detergente, tierra, restos de alimentos, etc., desenchufe el cable de alimentación y limpie la lavadora con un paño suave humedecido.

- Si no lo hace se puede producir decoloración, deformación, daños u óxido.

El vidrio frontal se puede romper con un impacto fuerte. Tenga cuidado cuando utilice la lavadora.

- La rotura del vidrio puede causar lesiones.

Tras una falla del suministro de agua o cuando se vuelve a conectar la manguera de suministro, abra lentamente la llave de agua.

Abra lentamente la llave de agua tras un período prolongado de falta de uso.

- La presión de aire en la manguera de suministro de agua o en la tubería de agua puede dañar una pieza o provocar fugas de agua.

Si durante el funcionamiento hay una falla en el drenaje, revise el drenaje.

- Si se utiliza la lavadora inundada por una falla en el drenaje, se puede provocar una descarga eléctrica o un incendio.

Introduzca completamente la ropa en la lavadora para que no pueda quedar atrapada por la puerta.

- Si la ropa queda atrapada por la puerta, puede dañarse la ropa o la lavadora, o puede provocar fugas de agua.

Cierre el suministro de agua cuando la lavadora no esté en uso.

- Asegúrese de que los conectores de la manguera de suministro de agua estén correctamente ajustados.

CONSERVE ESTAS INSTRUCCIONES



Información sobre seguridad

Asegúrese de que la arandela de goma y el vidrio de la puerta frontal no estén contaminados por sustancias extrañas (como restos, hilos, cabellos, etc.)

- Si una sustancia extraña queda atrapada en la puerta o si la puerta no está bien cerrada, se puede producir una fuga de agua.

Antes de utilizar el producto, abra la llave del agua y verifique que los conectores de la manguera de suministro estén bien ajustados y que no haya fugas de agua.

- Si los conectores de la manguera de suministro de agua están flojos, puede haber fugas de agua.

El producto adquirido está diseñado exclusivamente para uso doméstico.

El uso del producto con fines comerciales se considera un uso incorrecto del producto. Si se hace un uso comercial del producto, este no quedará cubierto por la garantía estándar que ofrece Samsung y no se podrá atribuir a Samsung ninguna responsabilidad por el mal funcionamiento o los daños resultantes de este uso incorrecto.

No se pare encima del electrodoméstico ni le coloque encima objetos (como ropa, velas o cigarrillos encendidos, platos, productos químicos, objetos metálicos, etc.).

- Puede provocar una descarga eléctrica, un incendio, problemas con el producto o lesiones.

No rocíe materiales volátiles, como insecticidas, en la superficie del electrodoméstico.

- Además de ser perjudiciales para las personas, también pueden provocar una descarga eléctrica, un incendio o problemas con el producto.

No coloque objetos que generen campos electromagnéticos cerca de la lavadora.

- Puede causar lesiones por un mal funcionamiento.

El agua que se drena durante el lavado a alta temperatura o durante el ciclo de secado está caliente. No toque el agua.

- Puede causar lesiones personales o quemaduras.

No lave, centrifugue ni seque asientos, alfombrillas o prendas impermeables (*) a menos que su electrodoméstico tenga un ciclo especial para lavar estos artículos.

(*): Ropa de cama de lana, fundas de lluvia, chalecos de pesca, pantalones de esquí, bolsas de dormir, cubiertas de pañales, chándales, cubiertas de bicicletas, motos y automóviles, etc.

- No lave alfombrillas gruesas o espesas aunque lleven la marca de lavado en la etiqueta. Se pueden producir lesiones o dañar la lavadora, las paredes, el piso o la ropa debido a las vibraciones anormales.
- No lave alfombras ni felpudos con forro de goma. El forro de goma se puede desprender y adherirse al tambor, lo que puede resultar en un funcionamiento anómalo, por ejemplo una falla en el drenaje.

No haga funcionar la lavadora sin el dosificador de detergente.

- Se puede provocar una descarga eléctrica o lesiones debido a fugas de agua.

No toque el interior del tambor durante o inmediatamente después del secado, ya que está caliente.

- Podrían quemarse.

La puerta se calienta durante el lavado y el secado. Por lo tanto, no toque la puerta de vidrio.

CONSERVE ESTAS INSTRUCCIONES



Tampoco permita que los niños jueguen cerca de la lavadora ni que toquen la puerta de vidrio.

- Podrían quemarse.

No introduzca las manos en el cajón del detergente.

- Se puede dañar la mano ya que ésta puede quedar atrapada por el dispositivo de introducción del detergente.
- No utilice detergente en polvo en el compartimiento para detergente líquido (únicamente para los modelos aplicables). Retire el compartimiento y coloque el detergente en polvo directamente en el compartimiento de lavado principal.

No introduzca ningún objeto (como zapatos, restos de comida, animales) que no sea ropa en la lavadora.

- Se puede dañar la lavadora, causar lesiones o la muerte en caso de mascotas por vibraciones anormales.

No presione los botones con objetos afilados, como alfileres, cuchillos, las uñas, etc.

- Puede provocar una descarga eléctrica o lesiones personales.

No lave ropa contaminada por aceites, cremas o lociones que se utilizan normalmente en los establecimientos para el cuidado de la piel o en las clínicas de masajes.

- Se puede deformar la arandela de goma y provocar fugas de agua.

No deje objetos de metal (tales como clips, horquillas, etc.) ni blanqueador en el tambor durante períodos prolongados.

- Estas dos acciones pueden oxidar el tambor.
- Si comienza a aparecer óxido en la superficie del tambor, aplique un agente limpiador (neutro) sobre la superficie y utilice una esponja para limpiarla. Nunca utilice un cepillo de metal.

No utilice detergentes de limpieza en seco directamente ni lave, enjuague ni centrifugue ropa contaminada por detergentes de limpieza en seco.

- Se puede producir una combustión espontánea o un incendio por el calor de la oxidación del aceite.

No utilice agua de los dispositivos de calentamiento o enfriamiento del agua.

- Podría causar problemas en la lavadora.

No utilice jabón natural para lavado a mano en la lavadora.

- Si se endurece y se acumula en el interior de la lavadora, puede causar problemas en el producto, como decoloración, óxido y malos olores.

Coloque medias y brassieres en una red y lávelas junto con otra ropa.

No lave prendas grandes como ropa de cama dentro de una red.

- De no hacerlo se pueden producir lesiones personales por las vibraciones anormales.

No utilice detergente endurecido.

- Si se acumula en el interior de la lavadora, puede provocar fugas de agua.

Asegúrese de que los bolsillos de las prendas que vaya a lavar estén vacíos.

- Los objetos duros o afilados, tales como monedas, clips, clavos, tornillos o piedras pueden causar daños considerables en la lavadora.

CONSERVE ESTAS INSTRUCCIONES

Información sobre seguridad

No utilice la lavadora para lavar ropa que contenga hebillas o botones grandes u otros objetos de metal pesados.

Clasifique las prendas según la solidez del color y seleccione el ciclo, la temperatura del agua y las funciones adicionales recomendadas.

- De lo contrario, se pueden decolorar o dañar las telas.

Al cerrar la puerta tenga cuidado de no atrapar los dedos de los niños.

- Si no lo hace, se pueden provocar lesiones personales.

Advertencias fundamentales para la limpieza

ADVERTENCIA

No limpie el electrodoméstico rociando directamente agua dentro de él.

No utilice un agente limpiador muy ácido.

No utilice benceno, disolventes ni alcohol para limpiar el electrodoméstico.

- Puede provocar decoloración, deformación, daños, incendio o descarga eléctrica.

Antes de la limpieza o las tareas de mantenimiento, desenchufe el electrodoméstico del tomacorriente de la pared.

- De lo contrario, se puede provocar una descarga eléctrica o un incendio.

CONSERVE ESTAS INSTRUCCIONES

Aviso regulatorio

Aviso para FCC

PRECAUCIÓN

Todos los cambios y modificaciones que no cuenten con la aprobación expresa de la parte responsable del cumplimiento invalidará la autoridad del usuario para operar el equipo.

Este dispositivo cumple con el Apartado 15 de las Normas de la FCC. El funcionamiento se encuentra sujeto a las siguientes dos condiciones:

1. Este electrodoméstico no puede causar interferencia dañina, y
2. Este electrodoméstico debe aceptar la recepción de cualquier interferencia, incluidas aquellas que puedan causar un funcionamiento indeseado.

En los productos vendidos en los mercados de Estados Unidos y Canadá, solo están disponibles los canales 1–11. No es posible seleccionar otros canales.

DECLARACIÓN DE LA FCC:

Este equipo ha sido sometido a pruebas y se ha determinado que se encuentra dentro de los límites para los dispositivos digitales clase B, de acuerdo con el apartado 15 de las Normas de la FCC. Dichos límites han sido diseñados para proporcionar una protección razonable contra la interferencia dañina en una instalación residencial. Este equipo genera, utiliza y puede irradiar energía de frecuencias de radio y, si no se lo instala y utiliza de acuerdo con las instrucciones, puede provocar interferencia dañina a las comunicaciones de radio. Sin embargo, no existe garantía alguna de que no habrá interferencia en una instalación determinada. Si el equipo provoca interferencia dañina a la recepción de radio o televisión, que puede determinarse al encender y apagar el equipo, se sugiere que el usuario trate de corregir la interferencia mediante una o más de las siguientes medidas:

- Reorientar o reubicar la antena receptora.
- Aumentar la distancia entre el equipo y el receptor
- Conectar el equipo a un tomacorriente que esté en un circuito diferente al de la radio o el televisor.
- Consultar al distribuidor o a un técnico experimentado en radio/TV para obtener ayuda.

DECLARACIÓN DE LA FCC SOBRE LA EXPOSICIÓN A LA RADIACIÓN:

Este equipo cumple con los límites de exposición a la radiación establecidos por la FCC para un entorno no controlado. Este equipo debe instalarse y utilizarse con una distancia mínima de 8 pulgadas (20 cm) entre el radiador y su cuerpo. Este electrodoméstico y su/s antena/s no deben ubicarse ni utilizarse junto con ninguna otra antena o transmisor.

CONSERVE ESTAS INSTRUCCIONES



Aviso regulatorio

Aviso IC

El término "IC" antes del número de certificación de radio significa únicamente que se han cumplido las especificaciones técnicas del Ministerio de Industria del Canadá. El funcionamiento se encuentra sujeto a las siguientes dos condiciones:

1. Este electrodoméstico no puede causar interferencia, y
2. Este electrodoméstico debe aceptar cualquier interferencia, incluidas aquellas que puedan causar un funcionamiento indeseado del dispositivo.

Este aparato digital Clase B cumple con la norma canadiense ICES-003.

Cet appareil numérique de la classe B est conforme à la norme NMB-003 du Canada.

En los productos vendidos en los mercados de Estados Unidos y Canadá, solo están disponibles los canales 1-11. No es posible seleccionar otros canales.

DECLARACIÓN DE LA IC SOBRE LA EXPOSICIÓN A LA RADIACIÓN:

Este equipo cumple con los límites de exposición a la radiación RSS-102 establecidos por la IC para un entorno no controlado. Este equipo debe instalarse y utilizarse con una distancia mínima de 8 pulgadas (20 cm) entre el radiador y su cuerpo. Este electrodoméstico y su/s antena/s no deben ubicarse ni utilizarse junto con ninguna otra antena o transmisor.



CONSERVE ESTAS INSTRUCCIONES



Anuncio sobre código abierto

El software incluido en este producto contiene software de código abierto. Puede obtener el correspondiente código fuente completo por un período de tres años a partir del último envío de este producto comunicándose con nuestro servicio de atención a través de la página <http://opensource.samsung.com> (Por favor, utilice el menú de "Inquiry (Consultas)").

Asimismo es posible obtener el correspondiente código fuente completo en un soporte físico como un CD-ROM; se le cobrará una tasa mínima.

La siguiente URL http://opensource.samsung.com/opensource/SMART_AT_051/seq/0 lleva a la información de licencia del código abierto relacionada con este producto. Esta oferta es válida para quienes reciban esta información.



NOTA

Por la presente, Samsung Electronics declara que el artefacto del tipo de equipo radioeléctrico se ajusta a lo dispuesto en la Directiva 2014/53/EU. El texto completo de la declaración de conformidad de la UE está disponible en la siguiente dirección de internet: La declaración oficial de conformidad puede encontrarse en <http://www.samsung.com>, vaya a Soporte > busque Conoce tu producto e ingrese el nombre del modelo.

Potencia máxima de transmisor Wi-Fi: 20 dBm a 2.412 GHz – 2.472 GHz

CONSERVE ESTAS INSTRUCCIONES

Instalación

Siga detenidamente estas instrucciones para asegurar una adecuada instalación de la lavadora y evitar accidentes al lavar la ropa.

⚠ ADVERTENCIA

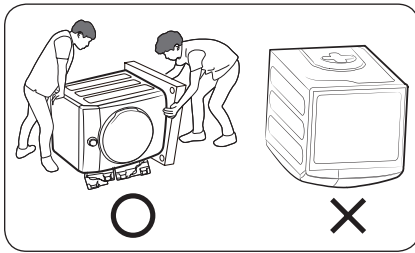
Algunas piezas internas no están conectadas a tierra intencionalmente y pueden presentar riesgo de descarga eléctrica únicamente durante el servicio técnico. Personal del servicio técnico - No toque las siguientes piezas mientras el electrodoméstico está recibiendo electricidad: Panel de control, disipador térmico, motor, válvula de entrada y bomba.

Desempaque de la lavadora

Desempaque la lavadora e inspecciónela para controlar que no se hayan producido daños durante el transporte. Asegúrese de haber recibido todos los elementos que se muestran a continuación. Si la lavadora sufrió daños durante el transporte, o si falta algún elemento, llame al 1-800-SAMSUNG (1-800-726-7864). Para evitar lesiones físicas o distensiones musculares, use guantes protectores cada vez que levante o transporte la unidad.

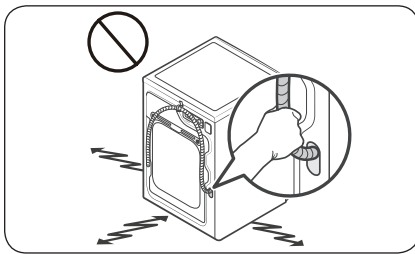
⚠ ADVERTENCIA

Los materiales de empaque pueden ser peligrosos para los niños. Mantenga todos los materiales de empaque (bolsas de plástico, poli estireno, etc.) fuera del alcance de los niños.



⚠ PRECAUCIÓN

Se necesitan 2 personas para desempaquetar la lavadora como mínimo. No incline la lavadora hacia adelante al retirar la protección de la parte inferior de los materiales de empaque. Cuando recline la lavadora para retirar la base de cartón, proteja el lateral y deposítela con cuidado. Nunca apoye la lavadora sobre la parte frontal ni posterior.

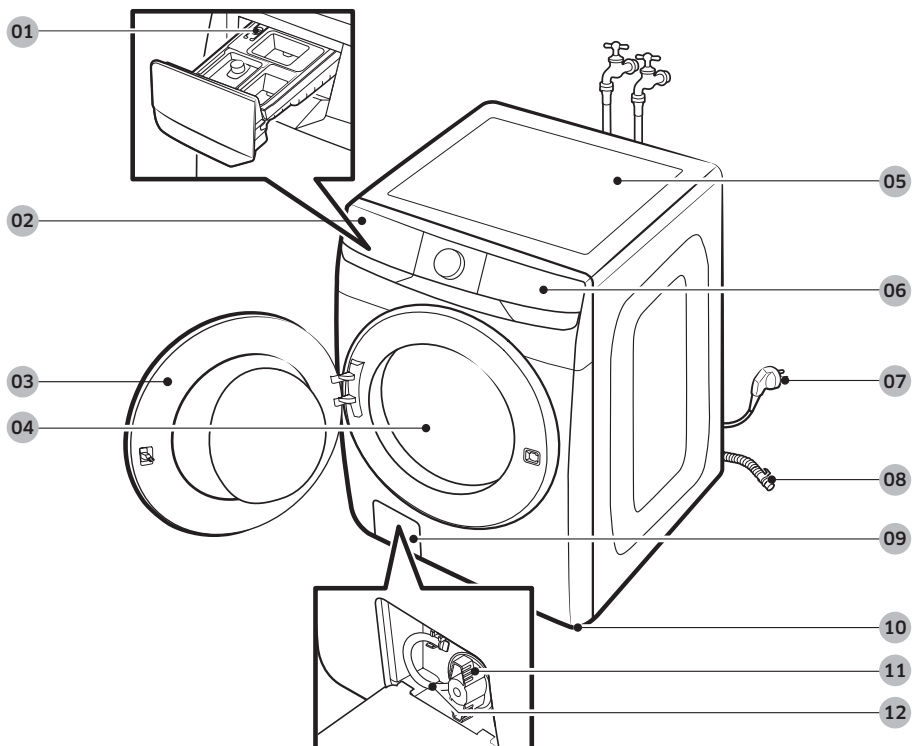


⚠ PRECAUCIÓN

No sujete ni jale la manguera de drenaje para arrastrar o mover el producto.

Componentes

Asegúrese de que todos los componentes estén incluidos en el paquete. Si tiene algún problema con la lavadora o las piezas, comuníquese con un centro de atención al cliente de Samsung o con el vendedor.



01 Palanca de seguridad

02 Cajón para detergente

03 Puerta

04 Tambor

05 Encimera

06 Panel de control

07 Enchufe

08 Manguera de drenaje

09 Cubierta del filtro

10 Patas niveladoras

11 Filtro de la bomba

12 Tubo de drenaje de emergencia



Instalación

Partes suministradas



Llave inglesa



Tapas de los tornillos



Guía de la manguera



Sujetacables



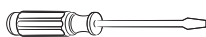
Almohadillas antideslizantes

Partes no suministradas

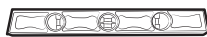


Mangueras de agua (se venden por separado)

Herramientas necesarias para la instalación



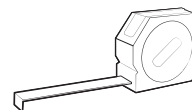
Destornillador Phillips



Nivelador



Pinzas ajustables



Cinta de medir

NOTA

- Tapas de los tornillos: La cantidad de tapas para tornillos (3 a 6) provista depende del modelo.
- El aspecto de la lavadora y los accesorios provistos puede diferir dependiendo del modelo.
- Para comprar accesorios o piezas perdidas, comuníquese con un centro de servicios Samsung o con el vendedor.

PRECAUCIÓN

- No vuelva a utilizar las mangueras viejas, ya que pueden tener fugas o se pueden reventar y provocar inundaciones o daños materiales.
- Asegúrese de que las arandelas de goma estén insertadas en cada unión de las dos mangueras de agua.



Requisitos de instalación

Suministro eléctrico y conexión a tierra

- Fusible o interruptor de 120 V CA / 60 Hz / 15 A requerido.
- Utilice un circuito derivado individual. Conecte solo la lavadora al circuito.

Para asegurar una conexión a tierra adecuada, la lavadora está equipada con un cable de alimentación que cuenta con un enchufe de tres pines con conexión a tierra para utilizar en un tomacorriente con conexión a tierra correctamente instalado.

Si tiene dudas sobre la correcta conexión a tierra, consulte con un electricista o un técnico de servicio acreditados. No modifique el enchufe provisto. Si no entra en el tomacorriente, solicite a un electricista calificado que instale el tomacorriente apropiado.

ADVERTENCIA

- NO utilice un cable prolongador.
- Utilice únicamente el cable de alimentación que viene con la lavadora.
- NO conecte el cable a tierra a las tuberías de plástico, las tuberías de gas o a las cañerías de agua caliente.
- La conexión no adecuada de los conductores de descarga a tierra puede generar una descarga eléctrica.
- Para evitar el riesgo innecesario de incendio, descarga eléctrica o lesiones físicas, todo el cableado y la conexión a tierra deben realizarse de conformidad con los códigos locales o, en ausencia de ellos, de conformidad con el Código Eléctrico Nacional, ANSI/NFPA Nro. 70, su última revisión (para EE.UU.) o el Código Eléctrico Canadiense CSA C22.1, sus últimas revisiones y los códigos y ordenanzas locales. Es su responsabilidad proveer el servicio eléctrico adecuado para su lavadora.

Suministro de agua

La presión de agua adecuada para esta lavadora es de 20-116 psi (137-800 kPa). Una presión de agua inferior a 20 psi (137 kPa) puede impedir que la válvula de agua se cierre completamente. También puede hacer que el tambor demore demasiado en llenarse y se apague la lavadora. Las llaves del agua deben estar colocadas dentro de los 4 pies (122 cm) de la parte posterior de la lavadora para que las mangueras de entrada provistas puedan llegar a la lavadora.

Para reducir el riesgo de fugas:

- Asegúrese de que las llaves de agua se encuentren en una posición accesible.
- Cierre las llaves cuando la lavadora no esté en uso.
- Revise periódicamente que no haya pérdidas de agua en los accesorios de la manguera de entrada de agua.

PRECAUCIÓN

Antes de utilizar la lavadora por primera vez, controle que todas las conexiones de la válvula y de la llave del agua no presenten pérdidas.

Instalación

Drenaje

Samsung recomienda una toma de agua de 18 pulg. (460 mm) de altura. La manguera de drenaje debe conectarse a la toma de agua a través del gancho, y la toma de agua debe cubrir totalmente la manguera de drenaje.

Piso

Para un mejor desempeño, la lavadora debe estar instalada sobre un piso sólido. Posiblemente los pisos de madera necesiten reforzarse para minimizar la vibración y/o el desequilibrio de la carga. Las superficies alfombradas o con revestimiento sintético no ofrecen una buena resistencia a las vibraciones y pueden causar que la lavadora se desplace levemente durante el ciclo de centrifugado.

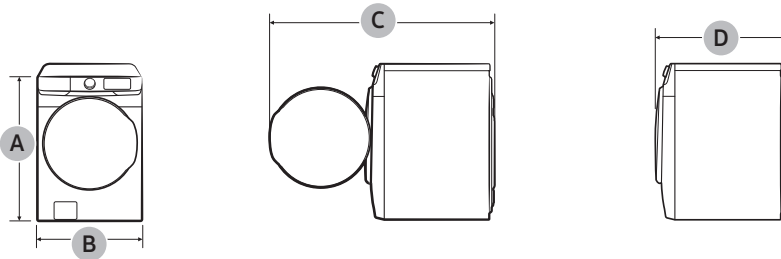
⚠ PRECAUCIÓN

NO instale la lavadora sobre una plataforma o sobre una estructura con soportes poco resistentes.

Temperatura del agua

No instale la lavadora en áreas donde el agua se congele, dado que la lavadora siempre retiene algo de agua en las válvulas de agua, la bomba y las mangueras. El agua congelada dentro de los conductos puede dañar las correas, la bomba y otros componentes de la lavadora.

Dimensiones



A. Altura total	38.7 pulg. (984 mm)
B. Ancho	27 pulg. (686 mm)
C. Profundidad con la puerta abierta	54.8 pulg. (1392 mm)
D. Profundidad	33.5 pulg. (850 mm)

Requisito de espacio libre

Este requisito de espacio libre solo se aplica a las lavadoras.

NOTA

- Para el requisito de espacio libre para secadoras, consulte el manual del usuario de la secadora.
- Si la lavadora y la secadora tienen distintos requisitos de espacio libre, utilice el valor mayor.

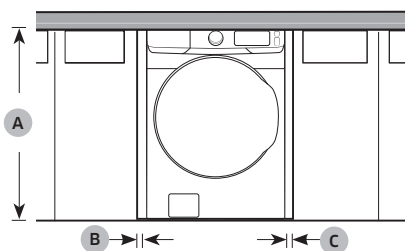
Instalaciones del electrodoméstico en un gabinete o en un hueco

Espacio libre mínimo para un funcionamiento estable:

Laterales	Arriba	Posterior	Frente
1 pulg. (25 mm)	1 pulg. (25 mm)	2 pulg. (50 mm)	1 pulg. (25 mm)

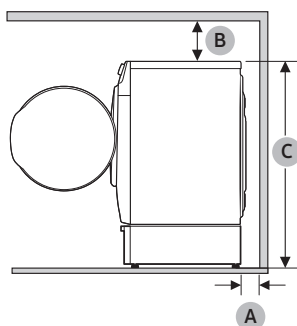
Si se instalan una lavadora y una secadora en la misma ubicación, el frente del gabinete o hueco debe tener dos aberturas de aire sin obstrucciones que combinadas sean de al menos 72 in² (465 cm²).

Instalación debajo de mostrador



A	39.6 pulg. (1006 mm)
B	1 pulg. (25 mm)
C	1 pulg. (25 mm)

Instalación en pedestal



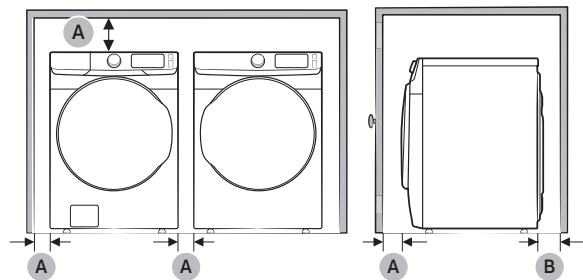
A	2 pulg. (50 mm)
B	6 pulg. (152 mm)
C	52.8 pulg. (1341 mm)



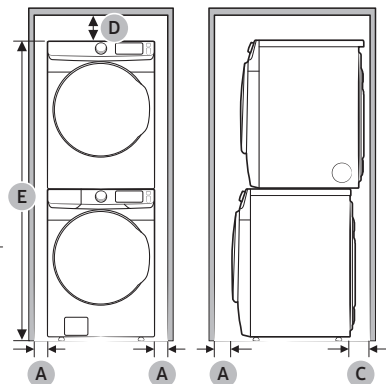
Instalación

Este requisito de espacio libre aplica para la instalación de lavadora y secadora en conjunto.

Instalación lado a lado



Instalación apilada (Modelo: SKK-8K)



NOTA

Si instala una secadora nueva al lado de la lavadora que ha estado usando, es posible que la secadora sobresalga más que la lavadora.

A	1 pulg. (25 mm)
B	2 pulg. (50 mm) * Este requisito de espacio libre solo se aplica a la lavadora. Para conocer el requisito de espacio libre para la secadora, consulte el manual del usuario de la secadora.
C	4.6 pulg. (117 mm)
D	6 pulg. (152 mm)
D	78.5 pulg. (1994 mm)

⚠ ADVERTENCIA

- Las lavadoras y las secadoras Samsung pueden apilarse para maximizar el espacio utilizable.
- Deben retirarse las patas de la secadora para apilar la lavadora y la secadora. Puede adquirir un kit de apilamiento opcional en su comercio minorista de productos Samsung.



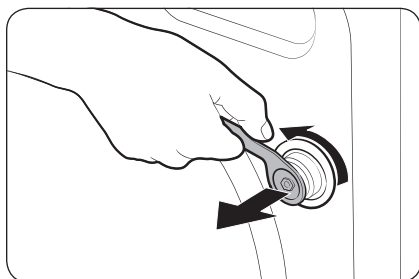
Instalación paso a paso

PASO 1 Seleccionar una ubicación

Requisitos de la ubicación:

- Una superficie sólida y nivelada sin alfombras ni revestimientos para pisos que puedan obstruir la ventilación
- No expuesta a la luz directa del sol
- Espacio suficiente para la ventilación y el cableado
- La temperatura ambiente debe ser siempre superior al punto de congelación (32 °F/0 °C)
- Alejada de fuentes de calor

PASO 2 Retirar los tornillos de transporte

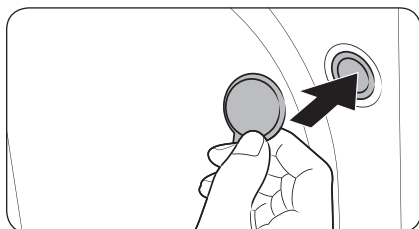


Desempaque el producto y retire todos los tornillos de transporte.

1. Afloje todos los tornillos de transporte de la parte posterior de la máquina con la llave.

NOTA

Use el extremo cerrado de la llave inglesa provista para retirar los tornillos de transporte.



2. Cubra los orificios con las tapas de plástico para tornillos provistas. Conserve los tornillos de transporte en caso de que los necesite en el futuro.

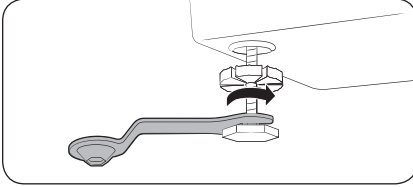
ADVERTENCIA

- Los tornillos de transporte fijan el tambor durante el traslado del producto y reducen el riesgo de daño de la suspensión. Quite los tornillos de transporte antes de utilizar el producto y solo vuelva a colocarlos si debe trasladarlo.
- Los materiales de empaque pueden ser peligrosos para los niños. Deseche todos los materiales de empaque (bolsas de plástico, poliestireno, etc.) lejos del alcance de los niños.

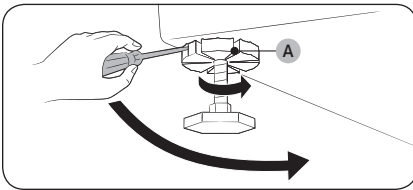
Instalación

Español

PASO 3 Ajustar las patas niveladoras



1. Deslice con cuidado la lavadora hasta dejarla en su lugar. Una fuerza excesiva puede dañar las patas niveladoras.
2. Gire las patas niveladoras en el sentido de las agujas del reloj o en el sentido contrario al de las agujas del reloj con una llave para ajustar la altura hasta que la lavadora quede nivelada.

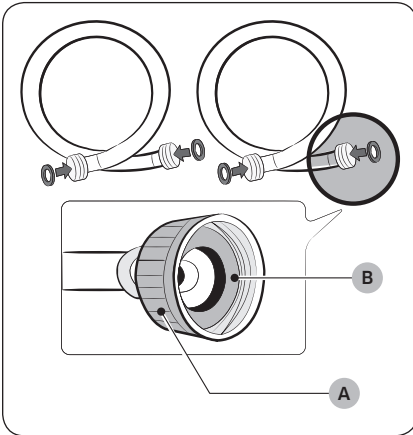


3. Con un destornillador para tornillos de cabeza plana, ajuste las **tuercas de fijación (A)**.

NOTA

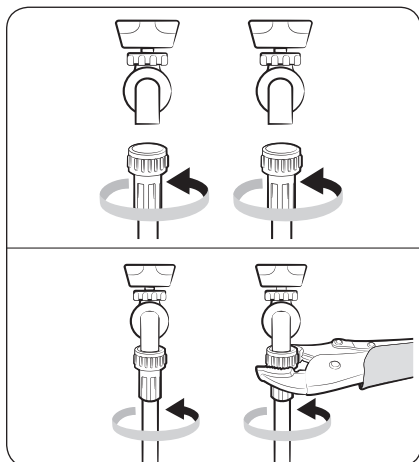
Use el extremo abierto de la llave inglesa provista para ajustar las patas niveladoras.

PASO 4 Conectar la manguera de agua

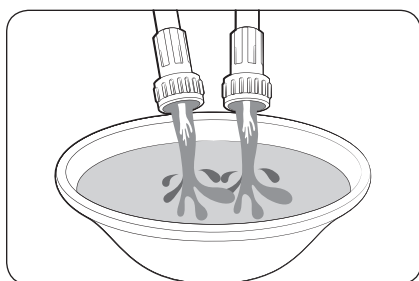


PRECAUCIÓN

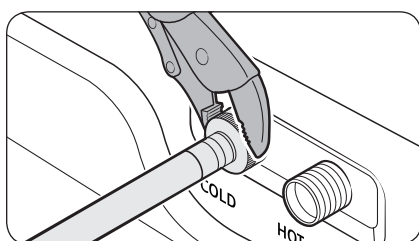
- Asegúrese de usar mangueras de agua nuevas, y de que las **juntas de goma (B)** estén dentro de los **acoplamientos (A)** en ambos extremos de las mangueras. Es posible que las mangueras de agua que no tengan juntas pierdan.
- Deje 5 pulg. (127 mm) de espacio libre entre la parte posterior de la lavadora y la pared para impedir que se enrosquen las mangueras de agua. Las mangueras enroscadas pueden presentar pérdidas de agua.
- Si hay una fuga de agua, deje de utilizar la lavadora y comuníquese con un centro de servicio local de Samsung. Una fuga de agua puede provocar una descarga eléctrica.
- No estire a la fuerza las mangueras de agua. Si una manguera resulta demasiado corta, reemplácela por otra manguera más larga.



1. Ajuste las mangueras de agua a las llaves de agua fría y caliente con la mano hasta que estén bien apretadas. Luego, utilice pinzas para ajustar dos tercios de un giro más. No ajuste los accesorios de más para evitar dañarlos.
2. Jale las mangueras de agua para verificar que estén bien conectadas.



3. Coloque los otros extremos de las mangueras en una cubeta y abra las llaves de agua durante 10 a 15 segundos para eliminar las impurezas. Cuando haya terminado, cierre las llaves de agua.



4. Ajuste las mangueras de agua a las entradas de agua fría y caliente con la mano hasta que estén bien apretadas. Luego, utilice pinzas para ajustar dos tercios de un giro más.

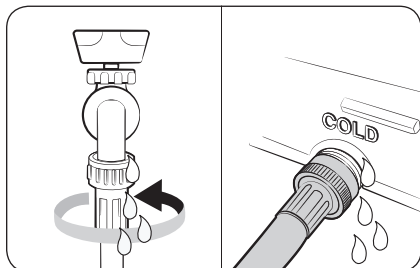
NOTA

Si no desea usar la manguera de suministro de agua caliente, inserte el tapón de la entrada de agua en la entrada de suministro del agua caliente. Luego, presione **Temp. (Temperatura)** para seleccionar Fría.



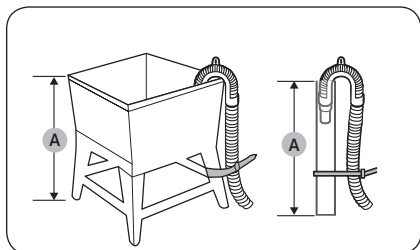
Instalación

Español



5. Abra las llaves de agua y verifique que no haya pérdidas.

PASO 5 Conectar la manguera de drenaje

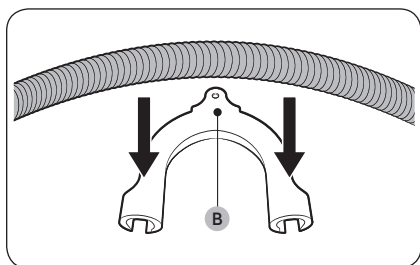


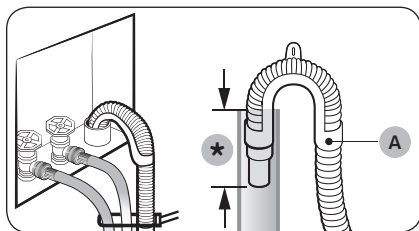
1. Verifique la **altura (A)** de su sistema de drenaje y asegúrese de que se cumplan las alturas mínimas y máximas.

Mínimo	18 pulg. (46 cm)
Máximo	96 pulg. (245 cm)

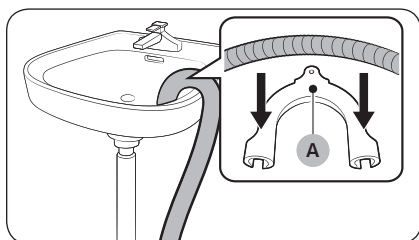
NOTA

- Asegúrese de medir la altura desde el piso donde se apoya la lavadora.
 - Es posible que la eficacia del drenaje sea menor si el sistema está a la altura máxima.
 - Para evitar el trasvase de agua de la lavadora, no utilice un sistema de drenaje cuya altura sea inferior a la mínima indicada.
2. Coloque la manguera de drenaje en la **guía para manguera de plástico (B)**.





(*): Mín. 6 pulg. (152 mm), Máx. 8 pulg. (203 mm)



3. Dirija la manguera de drenaje hacia el sistema de drenaje.

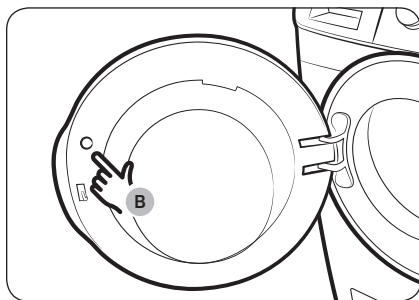
⚠ PRECAUCIÓN

- En caso de utilizar una toma de agua, asegúrese de que la conexión de la toma de agua y la manguera de drenaje no esté hermetizada.
 - Si se utiliza una toma de agua, asegúrese de que la manguera de drenaje esté entre 6 pulg. (152 mm) y 8 pulg. (203 mm) dentro de la toma de agua.
4. Fije la manguera de drenaje con uniones de cable.

Sobre el borde de un lavamanos

La manguera de drenaje debe colocarse a una altura entre 24 pulg. (60 cm) y 35 pulg. (90 cm) del piso. Para mantener doblado el extremo de salida de la manguera, utilice la **guía de la manguera (A)** de plástico suministrada. Fije la guía a la pared con un gancho para asegurar la estabilidad durante el drenaje.

PASO 6 Retirar la protección de la puerta



Retire el **pequeño círculo protector (B)** arriba de la traba de la puerta antes de usar la lavadora.

PASO 7 Encendido

Enchufe el cable de alimentación a un tomacorriente de 120 V CA / 60 Hz / 15 A aprobado y protegido por un disyuntor o fusible. Luego, presione **Encender/Apagar** para encender la lavadora.

Antes de comenzar

Configuración inicial

Ejecutar la calibración (recomendado)

La Calibración asegura que la lavadora detecte el peso con precisión. Asegúrese de que el tambor esté vacío antes de ejecutar la Calibración.

1. Presione **Encender/Apagar** para poner en funcionamiento la lavadora.
2. Mantenga presionados simultáneamente **Temp. (Temperatura)** y **Delay End (Final Diferido)** durante 3 segundos.
3. Mantenga presionado **Inicio/Pausa (Hold to Start (Mantenga presionado para iniciar))** para iniciar el nuevo ciclo.
 - La puerta permanece bloqueada durante el funcionamiento.
 - El tambor sigue girando hacia la derecha y hacia la izquierda durante varios minutos.
4. Cuando finaliza, la lavadora se apaga automáticamente.

Pautas de lavado

PASO 1 Clasificar

Clasifique las prendas de acuerdo con los siguientes criterios:

- Etiqueta de indicaciones: Clasifique la ropa según su composición: algodón, mezclas, sintética, seda, lana y rayón.
- Color: Separe la ropa blanca de la de color.
- Tamaño: Mezclar prendas de distintos tamaños en el tambor mejora el desempeño del lavado.
- Sensibilidad: Lave las prendas delicadas por separado. Para las prendas nuevas de lana pura, cortinas y prendas de seda, verifique las etiquetas de las prendas.

NOTA

Antes de iniciar el lavado, lea las etiquetas de cuidado de la ropa y clasifique los artículos en consecuencia.

PASO 2 Vaciar los bolsillos

Vacíe los bolsillos de todas las prendas.

- Los objetos metálicos como monedas, clips y hebillas pueden dañar las otras prendas y el tambor.

Dé vuelta las prendas con botones o bordados

- Si los cierres de los pantalones o las chaquetas están abiertos durante el lavado, el tambor puede dañarse. Los cierres deben cerrarse y ajustarse con un cordón.
- Las prendas con cordones largos pueden enredarse con otras prendas. Asegúrese de sujetar los cordones antes de comenzar el lavado.

PASO 3 Utilizar una red para ropa

- Los sostenes (lavables con agua) se deben colocar dentro de una red para ropa. Las partes metálicas de los sostenes pueden atravesar la tela y dañar otras prendas.
- Las prendas pequeñas y livianas como las medias, los guantes, las medias de nylon y los pañuelos pueden trabarse en la puerta. Colóquelas dentro de una red para ropa.
- No lave la red sin ropa dentro de ella. Se podrían producir vibraciones anormales que podrían desplazar la lavadora y causar lesiones personales.

PASO 4 Calcular la capacidad de carga

No sobrecargue la lavadora. Si sobrecarga la lavadora, la ropa puede no lavarse correctamente.

NOTA

Cuando se lave ropa de cama o cobertores, el tiempo de lavado se puede alargar o la eficacia del centrifugado puede reducirse.

Para ropa de cama o cobertores, el nivel máximo de centrifugado recomendado es el Nivel 2 o Nivel 3 y la capacidad de carga es de 7 lb (3.0 kg) o menos.

PRECAUCIÓN

Si la carga está desequilibrada y el código de información "UB" se muestra en la pantalla, redistribuya la carga. Una carga desequilibrada puede disminuir el desempeño del centrifugado.

PASO 5 Agregar el tipo de detergente adecuado

El tipo de detergente adecuado depende del tipo de tejido (algodón, sintético, prendas delicadas, lana), color, temperatura de lavado y grado de suciedad. Use siempre detergente de alta eficacia (HE) y "baja espuma", diseñado para las lavadoras automáticas.

NOTA

- Siga las recomendaciones del fabricante del detergente en función del peso de la ropa, el grado de suciedad y la dureza del agua en su zona. Si desconoce la dureza del agua de su zona, comuníquese con las autoridades locales.
- No utilice un detergente que tenga tendencia a endurecerse o solidificarse. Este detergente puede permanecer durante el ciclo de enjuague y bloquear la salida de drenaje.

PRECAUCIÓN

Cuando lave prendas de lana con el ciclo WOOL (LANA), utilice exclusivamente un detergente líquido neutro. El detergente en polvo utilizado con el ciclo WOOL (LANA) puede permanecer sobre las prendas y decolorarlas.



Antes de comenzar

Utilice solo detergente de alta eficacia (HE)



La lavadora fue diseñada para usar detergentes de alta eficacia (HE, por su sigla en inglés).

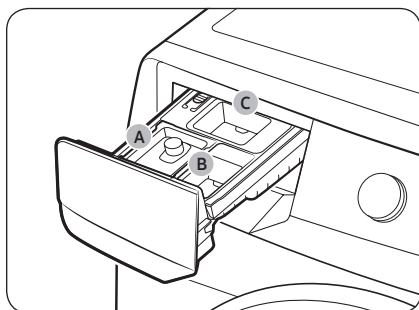
- Para obtener un lavado de óptima calidad, use un detergente de alta eficacia, por ejemplo: Tide HE, Wisk HE, Cheer HE o Gain HE*. Los detergentes de alta eficacia contienen supresores que reducen o eliminan la espuma. Cuando se produce menos espuma, la carga se mueve con mayor eficacia y el lavado se maximiza. (* Los nombres de las marcas son marcas comerciales de sus respectivos fabricantes).

⚠ ADVERTENCIA

Para obtener mejores resultados, use únicamente detergentes de alta eficacia (HE). No utilice detergente de baja eficacia, detergente orgánico, detergente natural o detergentes de alta eficacia con ingredientes naturales (como vinagre o bicarbonato).

Pautas para el cajón para detergente

La lavadora tiene un dispensador con tres compartimientos: el delantero izquierdo para el lavado principal, el delantero derecho para el suavizante y el trasero derecho para el blanqueador líquido.



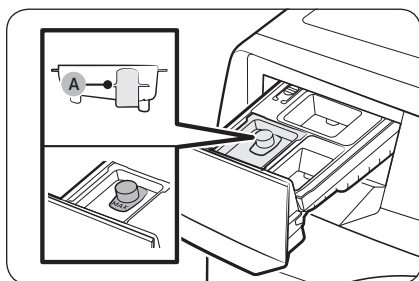
- A. Compartimiento para el lavado principal:** Agregue detergente para lavado principal, ablandador de agua, detergente para remojo, protector para ropa de color y/o productos quitamanchas.
- B. Compartimiento para el suavizante:** Agregue suavizante de telas. No sobrepase la **línea máxima**.
- C. Compartimiento para el blanqueador:** Agregue blanqueador líquido. No sobrepase la **línea máxima**.



⚠ PRECAUCIÓN

- No abra el cajón para detergente mientras la lavadora se encuentra en funcionamiento.
- No coloque detergente en pastillas o cápsulas en el cajón para detergente. Colóquelas directamente dentro del tambor.
- No utilice detergentes en bola.
- Para impedir que el compartimiento se obstruya, diluya los productos concentrados o muy densos (suavizantes o detergentes) en agua antes de agregarlos.

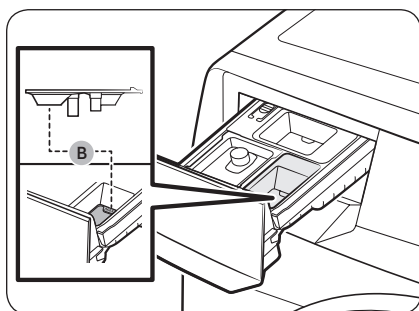
Para agregar productos de lavado en el cajón para detergente



1. Abra el cajón para detergente.
2. Agregue el detergente líquido al compartimiento para el lavado principal. Asegúrese de que el contenedor para detergente líquido esté colocado y no sobrepase la **línea máxima (A)** marcada.

📖 NOTA

- No agregue detergente en polvo ni otros productos de lavado en polvo al contenedor para detergente líquido.
- Para utilizar detergente en polvo, consulte la página 32.



3. Agregue suavizante en el **compartimiento para el suavizante**. No sobrepase la **línea máxima (B)**.

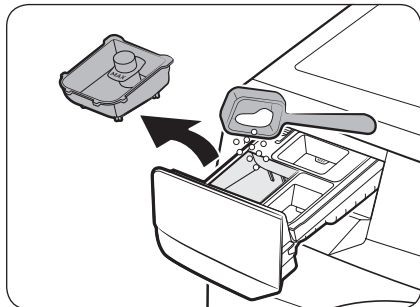
⚠ PRECAUCIÓN

- No se recomienda el suavizante en polvo. Utilice solo suavizante líquido.
 - Antes de agregar suavizante concentrado, es necesario diluirlo.
 - No agregue detergente para lavado principal en el **compartimiento para el suavizante**.
4. Cierre el cajón para detergente.



Antes de comenzar

Para utilizar detergente en polvo

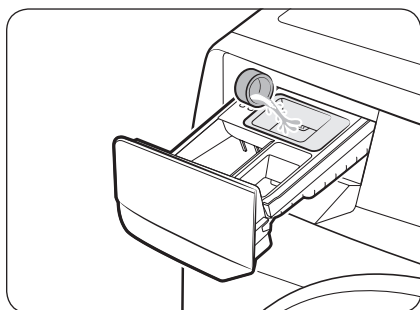


Primero retire el contenedor para detergente líquido provisto del **compartimiento para el lavado principal**. Luego, agregue detergente en polvo en el **compartimiento para el lavado principal** siguiendo las instrucciones del fabricante de detergente.

⚠ PRECAUCIÓN

No agregue detergente en polvo en el contenedor para detergente líquido.

Para utilizar el compartimiento para el blanqueador

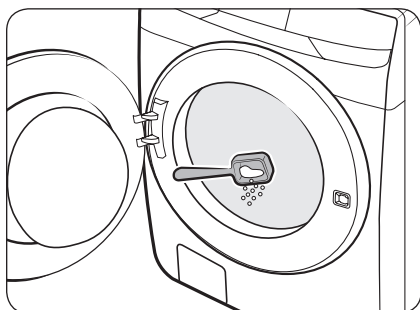


Agregue solo blanqueador líquido con cloro en el **compartimiento para blanqueador**. No sobrepase la **línea máxima**.

⚠ PRECAUCIÓN

No agregue un blanqueador líquido que contenga cloro sin diluir directamente sobre la carga o dentro del tambor. Se trata de un químico potente y, si no se usa correctamente, puede ser perjudicial para la tela, por ejemplo desgastando las fibras o causando decoloración.

Para utilizar potenciador de lavado o blanqueador con protección para ropa de color



Los potenciadores de lavado o blanqueadores con protección para ropa de color pueden mejorar el desempeño del lavado. Asegúrese de agregar el potenciador de lavado o el blanqueador con protección para ropa de color después de colocar la ropa en el tambor.

📖 NOTA

Para usar detergente en polvo y potenciador de lavado o blanqueador con protección para ropa de color, resulta más efectivo colocarlos juntos en el tambor antes de cargar la ropa.

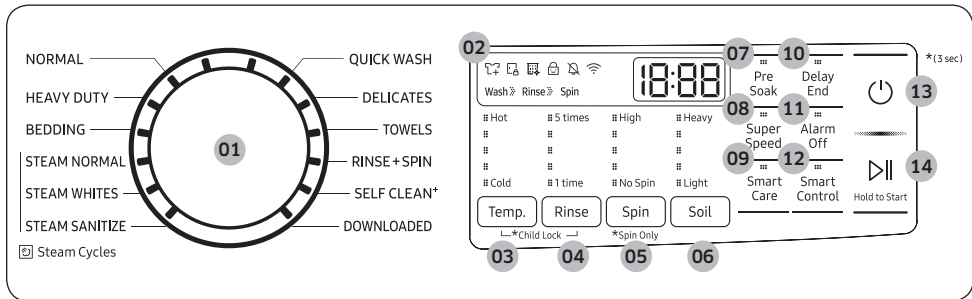


Funcionamiento

⚠ ADVERTENCIA


Para reducir el riesgo de incendio, descarga eléctrica o lesiones personales, lea la Información de seguridad antes de poner en funcionamiento el electrodoméstico.

Panel de control



01 Selector de ciclos	Gire el disco para seleccionar un ciclo. (Para obtener más información sobre los ciclos de lavado, consulte la página 38.)
02 Display	El display muestra información y tiempo restante del ciclo que se está ejecutando, o un código de información si la lavadora necesita revisión.
03 Temp. (Temperatura)	Presione para cambiar la temperatura del ciclo que se está ejecutando. <ul style="list-style-type: none"> • Hot (Caliente) (Nivel 5): Prendas muy sucias y que no destiñen. Solo disponible con los siguientes ciclos: NORMAL, HEAVY DUTY (CARGA PESADA), STEAM SANITIZE (DESINFECCIÓN CON VAPOR) y SELF CLEAN (AUTOLIMPIEZA)*. • (Nivel 4): Ropa blanca y prendas muy sucias de colores sólidos. • (Nivel 3): Prendas que no destiñen. • (Nivel 2): Prendas de colores vivos, ligeramente sucias. • Cold (Fría) (Nivel 1): Usa solo agua fría sin encender el calentador. No se suministra agua tibia.
04 Rinse (Enjuagar)	Presione para cambiar el número de enjuagues del ciclo que se está ejecutando. <ul style="list-style-type: none"> • Puede seleccionar de 0 a 5 enjuagues. (Sin enjuagar : Todos los indicadores apagados)







Funcionamiento

<p>05 Spin (Centrifugar)</p>	<p>Presione para cambiar la velocidad de centrifugado del ciclo que se está ejecutando.</p> <ul style="list-style-type: none"> • High (Alta) (Nivel 5): Extiende el proceso de centrifugado para eliminar con eficacia la humedad de la carga. Este nivel utiliza un proceso de centrifugado más fuerte que elimina la humedad, por lo que no es adecuado para telas sin arrugas y que no necesitan planchado ni para sobrecargas. • (Nivel 4): Ropa interior, camisetas, jeans y algodones resistentes. • (Nivel 3): Jeans, prendas sin arrugas o que no necesitan planchado y telas sintéticas. • (Nivel 2): Prendas delicadas que necesitan una velocidad baja de centrifugado. • No Spin (Sin centrifugado) (Nivel 1): El tambor no centrifuga después del proceso de drenaje final. <p>Enjuague en espera (Todos los indicadores apagados): El proceso de enjuague final se interrumpe para que la carga permanezca en el agua. Para sacar la ropa, ejecute el proceso de drenaje o de centrifugado.</p> <p> NOTA</p> <p>Spin Only (Solo Centrifugar): Para realizar solo el proceso de centrifugado, mantenga presionado Spin (Centrifugar) durante 3 segundos. Con el tiempo del ciclo en el display, presione Spin (Centrifugar) repetidamente hasta que se seleccione la velocidad de centrifugado deseada. Luego, mantenga presionado Inicio/Pausa (Hold to Start (Mantenga presionado para iniciar)) para iniciar el ciclo.</p>
<p>06 Soil (Suciedad)</p>	<p>Presione para cambiar el nivel de suciedad del ciclo actual.</p> <ul style="list-style-type: none"> • Heavy (Muy sucia) (Nivel 5): Para prendas extremadamente sucias. • (Nivel 4): Para prendas muy sucias. • (Nivel 3): Para prendas moderadamente sucias. Esta opción es la mejor para la mayoría de las cargas. • (Nivel 2): Para prendas ligeramente sucias. • Light (Poco sucia) (Nivel 1): Para prendas apenas sucias.
<p>07 Pre Soak (Prerremojado)</p>	<p>Presione para agregar 30 minutos de tiempo de remojo al inicio del ciclo de lavado para una mejor remoción de manchas.</p>
<p>08 Super Speed (Supervelocidad)</p>	<p>Presione este botón si necesita acortar el tiempo de lavado, aplicable a los ciclos NORMAL, HEAVY DUTY (CARGA PESADA), BEDDING (ROPA DE CAMA) o STEAM WHITES (ROPA BLANCA CON VAPOR). El tiempo acortado puede variar dependiendo de la selección de ciclo/carga/opciones.</p>
<p>09 Smart Care (Cuidado inteligente)</p>	<p>Esta función permite verificar el estado de la lavadora con un teléfono inteligente.</p>

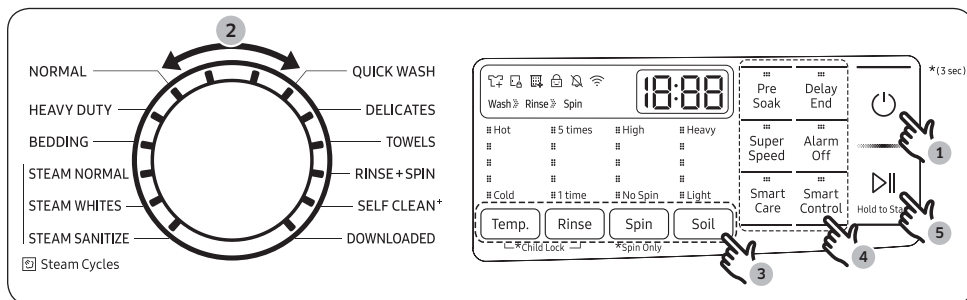
10 Delay End (Final Diferido)	Configure la lavadora para que finalice el lavado automáticamente en otro momento. Puede elegir un tiempo de retardo de entre 1 y 24 horas (en incrementos de 1 hora). (Para obtener más información sobre la función Final Diferido, consulte la página 41 .)
11 Alarm Off (Alarma apagada)	Presione para encender o apagar el sonido de la alarma. Cuando la alarma está apagada, la melodía de finalización de ciclo y el pitido de apagado no suenan. No obstante, los sonidos de los botones y alertas seguirán encendidos.
12 Smart Control (Control Inteligente)	Después de conectar la lavadora a la red doméstica mediante la aplicación SmartThings, puede controlar la lavadora de forma remota. Cuando se inicia, el indicador de Control Inteligente parpadea y la puerta frontal se cierra. La lavadora entra en modo de espera para los comandos remotos. (Para obtener más información sobre Control Inteligente, visite la página de la aplicación SmartThings).
13 Encender/Apagar	Presione para encender o apagar la lavadora.
14 Inicio/Pausa (Hold to Start (Mantenga presionado para iniciar))	Mantenga presionado para iniciar el funcionamiento o presione para detenerlo temporalmente.

Funcionamiento

Descripción de íconos

	Más prendas	<ul style="list-style-type: none">• Este ícono indica que puede agregar o quitar prendas luego de que un ciclo ha comenzado.• Para agregar o quitar prendas, presione Inicio/Pausa (Hold to Start (Mantenga presionado para iniciar)) para pausar el ciclo y, luego, abra la puerta. Para reanudar el ciclo, cierre la puerta y, luego, mantenga presionado Inicio/Pausa (Hold to Start (Mantenga presionado para iniciar)).
	Seguro de puerta	<ul style="list-style-type: none">• Este ícono indica que la puerta está trabada y no puede abrirse.• La puerta se traba automáticamente durante un ciclo y se enciende este indicador.• Cuando este ícono desaparece, puede abrir la puerta.
	Recordatorio de AUTOLIMPIEZA+	<ul style="list-style-type: none">• Este ícono indica que el tambor debe limpiarse con el ciclo AUTOLIMPIEZA+.• Este ícono aparece durante una hora cada 40 ciclos y luego se apaga automáticamente. El ícono aparecerá durante 5 ciclos más y no volverá a aparecer hasta pasados otros 40 ciclos.
	Seguro para niños	<ul style="list-style-type: none">• Este ícono indica que la función Seguro para niños está activada.• (Para obtener más información sobre la función Seguro para niños, consulte la página 42).
	Alarma apagada	<ul style="list-style-type: none">• Este ícono indica que la alarma está apagada.• (Para obtener más información sobre la función Alarma apagada, consulte la página 43).
	Wi-Fi	<ul style="list-style-type: none">• Este ícono indica que la lavadora está conectada a una Wi-Fi.

Sencillos pasos para comenzar



1. Presione **Encender/Apagar** para poner en funcionamiento la lavadora.
2. Gire el **selector de ciclos** para seleccionar el ciclo deseado.
3. Cambie los ajustes del ciclo (**Temp. (Temperatura)**, **Rinse (Enjuagar)**, **Spin (Centrifugar)** y **Soil (Suciedad)**) según sea necesario.
4. Seleccione las opciones deseadas según sea necesario.
5. Mantenga presionado **Inicio/Pausa (Hold to Start (Mantenga presionado para iniciar))**.

Para cambiar el ciclo durante el funcionamiento

1. Presione **Inicio/Pausa (Hold to Start (Mantenga presionado para iniciar))** para detener el funcionamiento.
2. Seleccione otro ciclo.
3. Mantenga presionado **Inicio/Pausa (Hold to Start (Mantenga presionado para iniciar))** nuevamente para iniciar el nuevo ciclo.

⚠ ADVERTENCIA

No coloque ningún objeto en la parte superior de la lavadora cuando esté en funcionamiento.



Funcionamiento

Descripción de los ciclos

NOTA

La lavadora detecta el peso de las prendas y regula automáticamente el nivel del agua, tiempo de lavado, cantidad de enjuagues y tiempo de centrifugado óptimo. (Puede no aplicar para algunos ciclos).

Ciclo	Descripción
NORMAL	<ul style="list-style-type: none"> Para ropa de algodón, de cama y de mesa, ropa interior, toallas o camisas. La duración del lavado y el número de enjuagues se ajustan automáticamente de acuerdo con la carga.
HEAVY DUTY (CARGA PESADA)	<ul style="list-style-type: none"> Para telas resistentes de colores sólidos y prendas muy sucias.
BEDDING (ROPA DE CAMA)	<ul style="list-style-type: none"> Para prendas voluminosas como edredones, cobijas y sábanas. Para obtener mejores resultados, lave solo un tipo de ropa de cama. Para prendas voluminosas, use detergente líquido y no enrolle las prendas en el tambor ya que pueden atascarse.
QUICK WASH (LAVADO RÁPIDO)	<ul style="list-style-type: none"> Para prendas ligeramente sucias que desea que se laven rápidamente. Para un mejor rendimiento, se recomienda una carga de 4 lb (2.0 kg) o menos.
DELICATES (DELICADAS)	<ul style="list-style-type: none"> Para telas finas, sostenes, lencería (seda) y otras telas que deben lavarse únicamente a mano. Para obtener mejor desempeño, use detergente líquido.
TOWEL (TOALLAS)	<ul style="list-style-type: none"> Para toallas de baño y prendas similares.
RINSE+SPIN (ENJUAGAR+CENTRIFUGAR)	<ul style="list-style-type: none"> Efectúa un ciclo de enjuague adicional después de agregar suavizante de telas a la ropa.
SELF CLEAN (AUTOLIMPIEZA) ⁺	<ul style="list-style-type: none"> Limpia el tambor al eliminar la suciedad y las bacterias presentes. Ejécutele una vez cada 40 lavados. Asegúrese de que el tambor esté vacío.
DOWNLOADED (DESCARGADO)	<ul style="list-style-type: none"> Seleccione para elegir más ciclos disponibles en la aplicación SmartThings desde su teléfono inteligente. Configuración de fábrica: ACTIVEWEAR (ROPA DEPORTIVA)
STEAM NORMAL (NORMAL CON VAPOR)	<ul style="list-style-type: none"> Para lavar prendas de uso diario con vapor.
STEAM WHITES (ROPA BLANCA CON VAPOR)	<ul style="list-style-type: none"> Para prendas blancas. Se puede lavar con o sin blanqueador.
STEAM SANITIZE (DESINFECCIÓN CON VAPOR)	<ul style="list-style-type: none"> Para telas que no destiñen y prendas muy sucias, este ciclo calienta el agua a más de 60 °C para una limpieza profunda. Si detiene el ciclo mientras la lavadora está calentando el agua, la puerta permanecerá trabada para su seguridad.



Tabla de ciclos

Use esta tabla para configurar el mejor ciclo y las opciones para su lavadora.

NOTA

Ajuste	Temp. (Temperatura)	Rinse (Enjuagar)	Spin (Centrifugar)	Soil (Suciedad)
● : configuración de fábrica	5: Hot (Caliente) (Nivel 5)	5: 5 times (5 veces) (Nivel 5)	5: High (Alta) (Nivel 5)	5: Heavy (Muy sucia) (Nivel 5)
○ : se puede seleccionar	4: (Nivel 4)	4: (Nivel 4)	4: (Nivel 4)	4: (Nivel 4)
	3: (Nivel 3)	3: (Nivel 3)	3: (Nivel 3)	3: (Nivel 3)
	2: (Nivel 2)	2: (Nivel 2)	2: (Nivel 2)	2: (Nivel 2)
	1: Cold (Fría) (Nivel 1)	1: 1 time (1 vez) (Nivel 1)	1: No Spin (Sin centrifugado) (Nivel 1)	1: Light (Poco sucia) (Nivel 1)

Ciclo	Funciones									
	Temp. (Temperatura)					Rinse (Enjuagar)				
	5	4	3	2	1	5	4	3	2	1
NORMAL	○	○	●	○	○	○	○	○	●	○
HEAVY DUTY (CARGA PESADA)	○	●	○	○	○	○	○	○	●	○
BEDDING (ROPA DE CAMA)			●	○	○	○	○	○	●	○
QUICK WASH (LAVADO RÁPIDO)		○	●	○	○	○	○	○	○	●
DELICATES (DELICADAS)			○	○	●			○	●	○
TOWEL (TOALLAS)		○	●	○	○	○	○	○	●	○
RINSE+SPIN (ENJUAGAR+CENTRIFUGAR)						○	○	○	○	●
SELF CLEAN (AUTOLIMPIEZA) ⁺	●								●	
STEAM NORMAL (NORMAL CON VAPOR)		●				○	○	○	●	○
STEAM WHITES (ROPA BLANCA CON VAPOR)		●				○	○	○	●	○
STEAM SANITIZE (DESINFECCIÓN CON VAPOR)	●					○	○	○	●	○

Funcionamiento

Español

Ciclo	Funciones									
	Spin (Centrifugar)					Soil (Suciedad)				
	5	4	3	2	1	5	4	3	2	1
NORMAL	<input type="radio"/>	<input checked="" type="radio"/>	<input type="radio"/>		<input type="radio"/>	<input type="radio"/>	<input type="radio"/>	<input checked="" type="radio"/>	<input type="radio"/>	<input type="radio"/>
HEAVY DUTY (CARGA PESADA)	<input checked="" type="radio"/>	<input type="radio"/>	<input type="radio"/>	<input type="radio"/>	<input type="radio"/>	<input checked="" type="radio"/>	<input type="radio"/>	<input type="radio"/>	<input type="radio"/>	<input type="radio"/>
BEDDING (ROPA DE CAMA)			<input type="radio"/>	<input checked="" type="radio"/>	<input type="radio"/>	<input type="radio"/>	<input type="radio"/>	<input checked="" type="radio"/>	<input type="radio"/>	<input type="radio"/>
QUICK WASH (LAVADO RÁPIDO)	<input checked="" type="radio"/>	<input type="radio"/>	<input type="radio"/>	<input type="radio"/>	<input type="radio"/>	<input type="radio"/>	<input type="radio"/>	<input type="radio"/>	<input type="radio"/>	<input checked="" type="radio"/>
DELICATES (DELICADAS)			<input checked="" type="radio"/>	<input type="radio"/>	<input type="radio"/>	<input type="radio"/>	<input type="radio"/>	<input checked="" type="radio"/>	<input type="radio"/>	<input type="radio"/>
TOWEL (TOALLAS)	<input type="radio"/>	<input checked="" type="radio"/>	<input type="radio"/>	<input type="radio"/>	<input type="radio"/>	<input type="radio"/>	<input type="radio"/>	<input checked="" type="radio"/>	<input type="radio"/>	<input type="radio"/>
RINSE+SPIN (ENJUAGAR+CENTRIFUGAR)	<input type="radio"/>	<input checked="" type="radio"/>	<input type="radio"/>	<input type="radio"/>	<input type="radio"/>					
SELF CLEAN (AUTOLIMPIEZA) ⁺	<input checked="" type="radio"/>									
STEAM NORMAL (NORMAL CON VAPOR)	<input type="radio"/>	<input checked="" type="radio"/>	<input type="radio"/>	<input type="radio"/>	<input type="radio"/>	<input type="radio"/>	<input type="radio"/>	<input checked="" type="radio"/>	<input type="radio"/>	<input type="radio"/>
STEAM WHITES (ROPA BLANCA CON VAPOR)	<input type="radio"/>	<input checked="" type="radio"/>	<input type="radio"/>	<input type="radio"/>	<input type="radio"/>	<input type="radio"/>	<input type="radio"/>	<input checked="" type="radio"/>	<input type="radio"/>	<input type="radio"/>
STEAM SANITIZE (DESINFECCIÓN CON VAPOR)	<input type="radio"/>	<input checked="" type="radio"/>	<input type="radio"/>	<input type="radio"/>	<input type="radio"/>	<input type="radio"/>	<input type="radio"/>	<input checked="" type="radio"/>	<input type="radio"/>	<input type="radio"/>

Ciclo	Opciones	
	Pre Soak (Prerremojó)	SuperSpeed (Supervelocidad)
NORMAL	<input type="radio"/>	<input type="radio"/>
HEAVY DUTY (CARGA PESADA)	<input type="radio"/>	<input type="radio"/>
BEDDING (ROPA DE CAMA)	<input type="radio"/>	<input type="radio"/>
QUICK WASH (LAVADO RÁPIDO)		
DELICATES (DELICADAS)		
TOWEL (TOALLAS)	<input type="radio"/>	
RINSE+SPIN (ENJUAGAR+CENTRIFUGAR)		
SELF CLEAN (AUTOLIMPIEZA) ⁺		
STEAM NORMAL (NORMAL CON VAPOR)	<input type="radio"/>	
STEAM WHITES (ROPA BLANCA CON VAPOR)	<input type="radio"/>	<input type="radio"/>
STEAM SANITIZE (DESINFECCIÓN CON VAPOR)	<input type="radio"/>	

Funciones especiales

Final Diferido

Puede hacer que la lavadora finalice automáticamente el lavado más tarde al seleccionar un tiempo de retardo de entre 1 y 24 horas (en incrementos de 1 hora). La pantalla indica la hora a la que finalizará el lavado.

1. Seleccione un ciclo. Luego, cambie los ajustes del ciclo si es necesario.
2. Presione **Delay End (Final Diferido)** repetidamente hasta establecer la hora de finalización deseada.
3. Mantenga presionado **Inicio/Pausa (Hold to Start (Mantenga presionado para iniciar))**.
4. Para cancelar Final Diferido, reinicie la lavadora presionando **Encender/Apagar**.

Ejemplo

Desea que un ciclo que dura 2 horas finalice dentro de 3 horas. Para ello, agregue la opción Final Diferido al ciclo que se está ejecutando con un ajuste de 3 horas y presione el botón **Inicio/Pausa (Hold to Start (Mantenga presionado para iniciar))** a las 2:00 p.m. La lavadora comienza a funcionar a las 3:00 p.m. y se detiene a las 5:00 p.m. A continuación se proporcionan los tiempos para este ejemplo.



ATC (control automático de la temperatura)

La función ATC permite a la lavadora controlar la temperatura del agua en cada ciclo de lavado mediante el termistor interno. Está diseñada para mantener ciertas temperaturas de lavado a fin de obtener los mejores resultados.

NOTA

- Si selecciona **NORMAL** o **HEAVY DUTY (CARGA PESADA)**, es posible que advierta que la lavadora suministra agua fría. Esto es normal, ya que la máquina está diseñada para reducir el consumo energético. En dichos ciclos, la temperatura del agua para el Nivel 5 es similar a una temperatura de agua de ducha y el Nivel 3 es similar a la temperatura agradable de una piscina.
- Para lavar prendas a una temperatura específica, primero debe elegir un ciclo diferente.



Funcionamiento

Seguro para niños

La función Seguro para niños sirve para prevenir que los niños se asfixien dentro del tambor.

Para activar el Seguro para niños

- Mantenga presionados los botones **Temp. (Temperatura)** y **Rinse (Enjuagar)** durante 3 segundos. Luego, mantenga presionado **Inicio/Pausa (Hold to Start (Mantenga presionado para iniciar))** para activar la función. Se traba la puerta y se enciende el indicador de la función Seguro para niños.

Para desactivar Seguro para niños temporalmente

- Puede desactivar Seguro para niños temporalmente durante 1 minuto. Para ello, mantenga presionados los botones **Temp. (Temperatura)** y **Rinse (Enjuagar)** durante 3 segundos. La puerta se desbloquea durante 1 minuto y el indicador Seguro para niños parpadea.

NOTA

- Si se abre la puerta 1 minuto después de desactivar la función Seguro para niños, suena una alarma durante 2 minutos.
- Si cierra la puerta antes de transcurrir los 2 minutos, esta se bloquea y el Seguro para niños se reactiva. Si no cierra la puerta o no se cierra correctamente, la alarma sigue sonando durante 2 minutos.
- Para agregar prendas después de activar la función Seguro para niños, desactive la función Seguro para niños o reinicie la lavadora.

Para cancelar el Seguro para niños

- Mantenga presionados los botones **Temp. (Temperatura)** y **Rinse (Enjuagar)** durante 6 segundos. Se desbloquea la puerta y se apaga el indicador de la función Seguro para niños.



Alarma apagada

Puede encender o apagar el sonido de la alarma. Cuando la alarma está apagada, la melodía de finalización de ciclo y el pitido de apagado no suenan. Sin embargo, los demás sonidos permanecen activos.

- Presione **Alarm Off (Apagar Alarma)** para encender o apagar la alarma.
- El ajuste se mantendrá incluso después de reiniciar la máquina.

Ciclo DESCARGADO

Puede seleccionar más ciclos disponibles en la aplicación SmartThings de su teléfono inteligente.

1. Seleccione el ciclo **DOWNLOADED (DESCARGADO)** en su teléfono inteligente.
2. Presione **Encender/Apagar** en la lavadora.
3. Gire el **selector de ciclos** para seleccionar **DOWNLOADED (DESCARGADO)**.
4. Mantenga presionado **Inicio/Pausa (Hold to Start (Mantenga presionado para iniciar))**.



Funcionamiento

SmartThings

Conexión Wi-Fi

En su teléfono inteligente, vaya a **Settings (Ajustes)**, active la conexión inalámbrica y seleccione un AP (Punto de acceso).

- Este electrodoméstico admite los protocolos Wi-Fi 2.4 GHz.

Descargas

En una tienda de aplicaciones (Google Play Store, Apple App Store, Samsung Galaxy Apps), busque la aplicación SmartThings con el término de búsqueda "SmartThings". Descargue e instale la aplicación en su dispositivo.

NOTA

La aplicación está sujeta a cambios sin previo aviso para mejorar el producto.

Inicio de sesión

En primer lugar, debe iniciar sesión en SmartThings con su cuenta Samsung. Para crear una nueva cuenta Samsung, siga las instrucciones de la aplicación. No necesita otra aplicación para crear su cuenta.

NOTA

Si tiene una cuenta Samsung, utilícela para iniciar sesión. Un usuario de teléfono inteligente Samsung registrado inicia sesión de manera automática.

Para registrar su electrodoméstico en SmartThings

1. Asegúrese de que su teléfono inteligente esté conectado a una red inalámbrica. De lo contrario, vaya a **Settings (Ajustes)**, active la conexión inalámbrica y seleccione un AP (Punto de acceso).
2. Abra **SmartThings** en su teléfono inteligente.
3. Si aparece el mensaje "**A new device is found. (Se encontró un nuevo dispositivo.)**", seleccione **Add (Agregar)**.
4. Si no aparece ningún mensaje, seleccione **+** y elija su electrodoméstico de una lista de dispositivos disponibles. Si su electrodoméstico no figura, seleccione **Device Type (Tipo de dispositivo) > Specific Device Model (Modelo de dispositivo específico)**, y luego agregue su electrodoméstico manualmente.
5. Registre su electrodoméstico en la aplicación SmartThings de la siguiente manera.
 - a. Agregue su electrodoméstico en SmartThings. Asegúrese de que su electrodoméstico esté conectado a SmartThings.
 - b. Al completar el registro, su electrodoméstico aparecerá en su teléfono inteligente.

Si se muda, le recomendamos que limpie completamente el electrodoméstico y reinicializar la red de conectividad de internet antes de dejarlo.

Si se esta mudando, la forma mas facil de tomar el control y eliminar el acceso del usuario anterior es agregarlo usted mismo a SmartThings. Pero si no planea usar SmartThings, se debe realizar un restablecimiento de la red de conectividad de internet para proteger su privacidad. En las propiedades de alquiler, hay un cambio regular de propiedad. Para garantizar la privacidad del residente, el Wi-Fi y / u otras configuraciones de conectividad deben reinicializar en cada cambio de residente. Consulte las instrucciones de restablecimiento de fabrica en este manual.





Mantenimiento

Mantenga la lavadora limpia para lograr un mejor rendimiento y prolongar su vida útil.

ADVERTENCIA

Algunas piezas internas no están conectadas a tierra intencionalmente y pueden presentar riesgo de descarga eléctrica únicamente durante el servicio técnico. Personal del servicio técnico - No toque las siguientes piezas mientras el electrodoméstico está recibiendo electricidad: Panel de control, disipador térmico, motor, válvula de entrada y bomba.

Autolimpieza⁺

Algunos usos y condiciones ambientales pueden producir la acumulación de residuos u olor en el tambor de la lavadora. Para prevenir la acumulación de estos residuos u olor que producen bacterias y mantener el tambor de su lavadora fresco y limpio, ejecute el ciclo AUTOLIMPIEZA⁺ por lo menos una vez al mes o cada 40 ciclos. Se recomienda realizar el siguiente procedimiento cuando utilice el ciclo AUTOLIMPIEZA⁺.

1. Retire todas las prendas del tambor de la lavadora y asegúrese de que el tambor quede vacío. Si deja prendas en el tambor durante el ciclo AUTOLIMPIEZA⁺, estas pueden dañarse.
2. Presione **Encender/Apagar** para poner en funcionamiento la lavadora.
3. Gire el **selector de ciclos** para seleccionar **SELF CLEAN (AUTOLIMPIEZA⁺)**.
4. Mantenga presionado **Inicio/Pausa (Hold to Start (Mantenga presionado para iniciar))**.

NOTA

- La temperatura del agua para el ciclo AUTOLIMPIEZA⁺ está configurada en Caliente de manera predeterminada. Esta temperatura no se puede cambiar.
- En caso de que el tambor de la lavadora contenga residuos, agregue blanqueador líquido con cloro hasta la línea de nivel MÁX en el compartimiento para el lavado principal antes de comenzar el ciclo AUTOLIMPIEZA⁺. No agregue el blanqueador líquido con cloro en el compartimiento para el blanqueador (esta es una excepción solo para el ciclo AUTOLIMPIEZA⁺).
- No sobrepase la línea máxima. No utilice ni mezcle ningún otro detergente o producto químico durante el ciclo AUTOLIMPIEZA⁺. De ser necesario, ejecute el ciclo ENJUAGAR+CENTRIFUGAR luego de que finalice el ciclo AUTOLIMPIEZA⁺ para contribuir a eliminar cualquier residuo que pueda haber quedado.

PRECAUCIÓN

La presencia prolongada de blanqueador con cloro en el tambor puede producir óxido.

Recordatorio de AUTOLIMPIEZA⁺

- Luego de 40 ciclos de lavado, aparece el ícono del recordatorio de AUTOLIMPIEZA⁺ y la luz LED del ciclo AUTOLIMPIEZA⁺ parpadea en el panel de control durante una hora y luego se apaga automáticamente.
- El recordatorio aparecerá en el panel de control por 5 ciclos consecutivos más antes de apagarse. El próximo recordatorio no aparecerá hasta que se hayan completado otros 40 ciclos.



Mantenimiento

Smart Care

Para activar esta función, primero se debe descargar la aplicación Samsung Laundry en Play Store o en App Store e instalarla en un dispositivo móvil con la función de cámara. La función Smart Care se ha optimizado para las series Galaxy e iPhone (únicamente para los modelos aplicables).

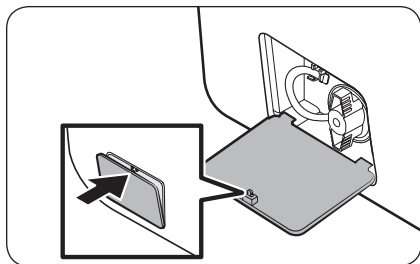
1. Cuando la lavadora detecta un problema que requiere revisión, aparece un código de información en el display. Para ingresar al modo Smart Care, presione **Smart Care (Cuidado inteligente)**.
2. La lavadora inicia el proceso de autodiagnóstico y muestra un código de información en caso de que detecte algún problema.
3. Ejecute la aplicación Samsung Laundry en su dispositivo móvil y, luego, toque **Smart Care (Cuidado inteligente)**.
4. Coloque el dispositivo móvil cerca del display de la lavadora de manera que la cámara del teléfono inteligente quede frente a la lavadora. La aplicación reconocerá inmediatamente el código de información.
5. Cuando el código de información se reconoce correctamente, la aplicación proporciona información detallada sobre el problema y las soluciones aplicables.

NOTA

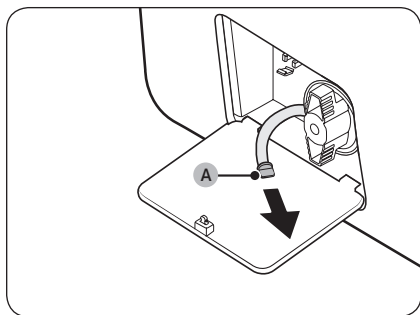
- El nombre de la función, Smart Care, puede variar según el idioma.
- Si en el display de la lavadora hay reflejos, es posible que la aplicación no reconozca el código de información.
- Si la aplicación no reconoce el código de información, puede ingresarlo manualmente en la aplicación.

Drenaje de emergencia

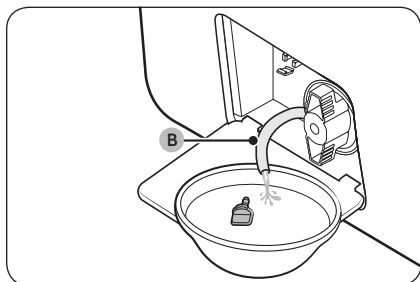
Si se produce una falla en el suministro eléctrico, vacíe el agua del tambor antes de retirar la ropa.



1. Apague la lavadora y, luego, desenchufe el cable de alimentación.
2. Presione suavemente la parte superior de la **tapa del filtro** para abrirla.



3. Coloque un recipiente grande y vacío debajo y extienda el **tubo de drenaje de emergencia** hacia el recipiente mientras sujeta el **tapón del tubo (A)**.



4. Abra el **tapón del tubo** y deje caer el agua del **tubo de drenaje de emergencia (B)** en el recipiente.
5. Al finalizar, cierre el **tapón del tubo** y vuelva a insertar el tubo. Luego, cierre la **tapa del filtro**.

NOTA

Use un recipiente grande, ya que el tambor puede contener más agua de la esperada.



Mantenimiento

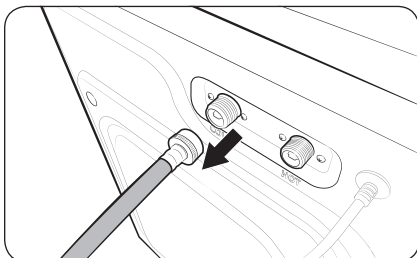
Limpieza

Superficie de la lavadora

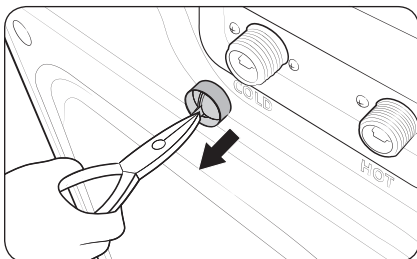
Use un paño suave y un limpiador doméstico que no sea abrasivo. No rocíe agua sobre la lavadora.

Filtro de malla

Limpie el filtro de malla la manguera de agua una o dos veces por año.



1. Apague la lavadora y, luego, desenchufe el cable de alimentación.
2. Cierre la llave de agua.
3. Afloje y desconecte la manguera de agua de la parte trasera de la lavadora. Cubra el extremo de la manguera con un paño o toalla para evitar la fuga de agua.



4. Use unas pinzas para sacar el filtro de malla de la válvula de entrada.
5. Limpie exhaustivamente el filtro de malla con agua.
6. Seque el filtro de malla completamente. No deje secar bajo la luz directa del sol.
7. Vuelva a colocar el filtro de malla y, luego, reconecte la manguera de agua.
8. Abra la llave de agua.

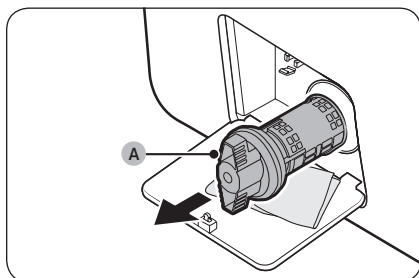
NOTA

Si el filtro de malla está obstruido, aparece el código de información "4C" en la pantalla de la lavadora.

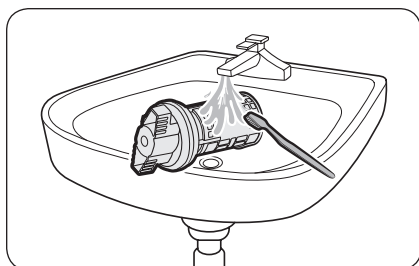


Filtro de la bomba

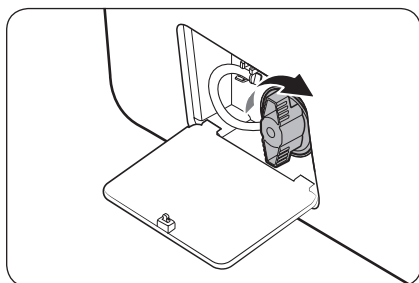
Es recomendable limpiar el filtro de la bomba 5 o 6 veces por año para evitar que se obstruya.



1. Apague la lavadora y, luego, desenchufe el cable de alimentación.
2. Presione suavemente la parte superior de la **tapa del filtro** para abrirla.
3. Drene el agua restante del tambor. Consulte la sección **Drenaje de emergencia** en la página 47.
4. Gire la **perilla del filtro de la bomba (A)** en el sentido contrario al de las agujas del reloj y, luego, vacíe el agua restante.



5. Limpie el **filtro de la bomba** con un cepillo suave. Al retirar el filtro de la bomba, asegúrese de que el impulsor dentro de la bomba de drenaje no contenga residuos.
6. Vuelva a colocar el **filtro de la bomba** y, luego, gire la perilla del filtro en el sentido de las agujas del reloj.
7. Cierre la **tapa del filtro**.



NOTA

- Algunos filtros de bomba cuentan con una perilla de seguridad diseñada para evitar que los niños abran accidentalmente el compartimiento del filtro. Para abrir la perilla de seguridad del **filtro de la bomba**, presiónela y gírela en el sentido contrario al de las agujas del reloj. El mecanismo de muelle de la perilla de seguridad ayuda a abrir el filtro.
- Para cerrar la perilla de seguridad del **filtro de la bomba**, gírela en el sentido de las agujas del reloj. El muelle emite un ruido metálico que es normal.
- Antes de cerrar la **tapa del filtro**, asegúrese de que el **filtro de la bomba** esté bien colocado.

Mantenimiento

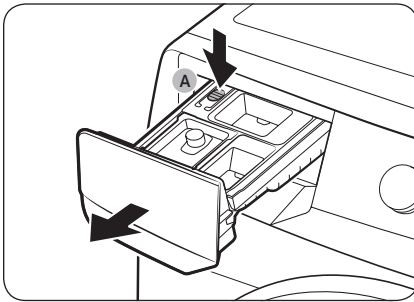
NOTA

Si el filtro de la bomba está obstruido, aparece el código de información "5C" en la pantalla de la lavadora.

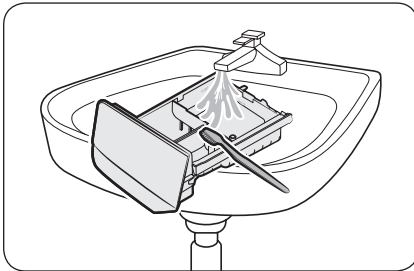
PRECAUCIÓN

- Asegúrese de cerrar bien la perilla del filtro luego de limpiarlo. De lo contrario, puede originar una fuga.
- Asegúrese de insertar correctamente el filtro luego de limpiarlo. De lo contrario, puede originar una falla en el funcionamiento o una fuga.

Cajón para detergente



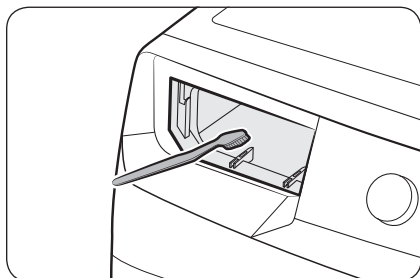
1. Abra el cajón.
2. Mientras presiona la **palanca de seguridad (A)**, abra el cajón.
3. Retire el **contenedor para detergente líquido** del cajón.



4. Limpie los componentes del cajón con agua corriente y un cepillo suave.

NOTA

Otras partes del cajón también se pueden retirar. Pueden caer si se voltea el cajón.



5. Limpie el hueco del cajón con un cepillo suave.
6. Vuelva a insertar el **contenedor para detergente líquido** en el cajón para detergente.
7. Deslice el cajón en el hueco y empuje hacia adentro hasta que cierre completamente.

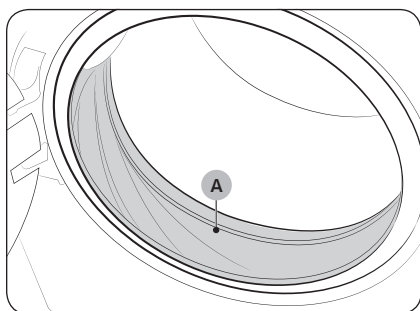
NOTA

Para eliminar el detergente restante, ejecute un ciclo **RINSE+SPIN (ENJUAGAR+CENTRIFUGAR)** con el tambor vacío.

PRECAUCIÓN

No rocíe agua en el hueco del cajón para el detergente. Puede provocar una descarga eléctrica o un incendio. Desenchufe el cable de alimentación si es necesario.

Diafragma de la puerta



1. Abra la puerta y vacíe el tambor.
2. Mezcle 3/4 de taza de blanqueador líquido a base de cloro y 1 galón de agua tibia de la llave.
3. Póngase guantes de goma y limpie el diafragma con un paño limpio y suave mojado en la solución de agua y blanqueador.
4. Deje reposar durante 5 minutos y luego limpie y seque bien.

PRECAUCIÓN

Utilice con cuidado el blanqueador y asegúrese de seguir las instrucciones de uso y cuidado del fabricante.

Mantenimiento

Recuperación de un congelamiento

La lavadora puede congelarse cuando la temperatura del lugar cae por debajo de 32 °F (0 °C).

1. Apague la lavadora y, luego, desenchufe el cable de alimentación.
2. Vierta agua caliente sobre la llave para aflojar la manguera de suministro de agua.
3. Desconecte la manguera y luego sumérgjala en agua tibia.
4. Vierta agua tibia en el tambor y déjela 10 minutos aproximadamente.
5. Vuelva a conectar la manguera a la llave del agua.

NOTA

Si la lavadora sigue sin funcionar correctamente, repita los pasos anteriores.

Mantenimiento luego de un período prolongado sin utilizar la lavadora

Evite dejar la lavadora inactiva durante un período de tiempo prolongado. Si no la va a utilizar durante mucho tiempo, siga las instrucciones a continuación:

1. Presione el botón **Encender/Apagar** y luego gire el **selector de ciclos** hasta **RINSE+SPIN (ENJUAGAR+CENTRIFUGAR)**.
2. Vacíe el tambor y, luego, mantenga presionado **Inicio/Pausa (Hold to Start (Mantenga presionado para iniciar))**.
3. Luego de completado el ciclo, cierre las llaves de agua y desconecte las mangueras de agua.
4. Apague la lavadora y, luego, desenchufe el cable de alimentación.
5. Abra la puerta para que el aire circule por el tambor.

Limpieza del exterior

1. Cierre las llaves del agua después de finalizar el lavado del día.
Esto cerrará el suministro de agua a la lavadora y evitará la improbable posibilidad de que se produzcan daños a causa de un derrame de agua. Deje la puerta abierta para permitir que el interior de la lavadora se seque.
2. Use un paño suave para limpiar todo el detergente, el blanqueador u otros derrames a medida que ocurran.
Limpie lo siguiente tal como se recomienda:
 - Panel de control – Limpie con un paño suave y húmedo. No use polvos abrasivos ni paños de limpieza. No rocíe el panel directamente con limpiadores en aerosol.
 - Gabinete – lave con agua y jabón.

Limpieza del interior

Limpie el interior de la lavadora periódicamente para eliminar todo vestigio de suciedad, polvo, olor, moho, hongos o bacterias que pueda permanecer en la lavadora como consecuencia del lavado de ropa.

PRECAUCIÓN

El incumplimiento de estas instrucciones puede dar como resultado situaciones poco satisfactorias, tales como olor y/o manchas permanentes en la lavadora o en las prendas.

NOTA

Se pueden retirar los depósitos de agua dura si fuera necesario. Use un limpiador que en el rótulo indique que es seguro para lavadoras.



Solución de problemas

Verificaciones

Si tiene algún problema con la lavadora, primero consulte la tabla siguiente y pruebe las sugerencias.

Problema	Acción
No se inicia.	<ul style="list-style-type: none"> • Asegúrese de que la lavadora esté enchufada. • Asegúrese de que la puerta esté perfectamente cerrada. • Asegúrese de que las llaves del agua estén abiertas. • Asegúrese de presionar o tocar Inicio/Pausa (Hold to Start (Mantenga presionado para iniciar)) para iniciar el funcionamiento de la lavadora. • Asegúrese de que Seguro para niños no esté activado. • Antes de que la lavadora comience a llenarse, se oír una serie de sonidos semejantes a un "clic" para controlar la traba de la puerta y que se efectúe un drenaje rápido. • Revise el fusible o reinicie el disyuntor.
No hay suministro de agua o el suministro de agua es insuficiente.	<ul style="list-style-type: none"> • Abra totalmente la llave. • Asegúrese de que la puerta esté perfectamente cerrada. • Asegúrese de que la manguera de suministro de agua no esté congelada. • Asegúrese de que la manguera de suministro de agua no esté enroscada u obstruida. • Asegúrese de que la presión del agua sea suficiente.
Después de un ciclo, queda detergente en el cajón para detergente.	<ul style="list-style-type: none"> • Asegúrese de que la lavadora funcione con suficiente presión de agua. • Asegúrese de verter el detergente en la parte central del cajón para detergente. • Asegúrese de insertar correctamente el medidor para el enjuague. • Si utiliza un detergente granulado, asegúrese de que el selector de detergente se encuentre en la posición superior. • Retire el medidor para el enjuague y limpie el cajón para detergente.
Vibra de forma excesiva o hace ruido.	<ul style="list-style-type: none"> • Asegúrese de que la lavadora esté instalada sobre un piso nivelado y firme que no sea resbaladizo. Si el piso está desnivelado, use las patas niveladoras para ajustar la altura de la lavadora. • Asegúrese de que se hayan retirado los tornillos de transporte. • Asegúrese de que la lavadora no esté en contacto con ningún otro objeto. • Verifique que la carga de ropa sea equilibrada. • El motor puede hacer ruido durante el funcionamiento normal. • La ropa de trabajo y las prendas con decoraciones de metal pueden generar ruidos durante el lavado. Esto es normal. • Los objetos metálicos como las monedas pueden generar ruidos. Después del lavado, retire estos objetos del tambor o la caja del filtro. • Saque el relleno de las almohadas y de los almohadones y lave solamente las fundas.



Problema	Acción
No drena y/o no centrifuga.	<ul style="list-style-type: none"> • Asegúrese de que la manguera de drenaje no esté enroscada ni obstruida en algún punto hasta el sistema de drenaje. Si existe alguna restricción en cuanto al drenaje, comuníquese con el servicio técnico. • Verifique que el filtro de residuos no esté obstruido. • Cierre la puerta y presione o toque Inicio/Pausa (Hold to Start (Mantenga presionado para iniciar)). Por su seguridad, la lavadora no girará ni centrifugará salvo que la puerta esté cerrada. • Asegúrese de que la manguera de drenaje no esté congelada ni obstruida. • Asegúrese de que la manguera de drenaje esté conectada a un sistema de drenaje que no esté obstruido. • Si no se suministra suficiente energía a la lavadora, esta no drenará ni centrifugará temporalmente. En cuanto la lavadora recupere la energía suficiente, funcionará con normalidad. • Asegúrese de que la manguera de drenaje esté colocada entre 6 y 8 pulgadas dentro de la tubería de desagüe. • Asegúrese de que la lavadora esté nivelada.
La puerta no se abre.	<ul style="list-style-type: none"> • Asegúrese de presionar o tocar Inicio/Pausa (Hold to Start (Mantenga presionado para iniciar)) para detener el funcionamiento de la lavadora. • Puede llevar algunos minutos que el mecanismo de cierre de la puerta se desconecte. • Asegúrese de que se haya drenado toda el agua del tambor. • Es posible que la puerta no se abra si queda agua en el tambor. Drene el tambor y abra la puerta manualmente. • Asegúrese de que la luz de la traba de la puerta se apague. La luz de la traba de la puerta se apaga después de que la lavadora realiza el drenaje. • Si luego del suministro de agua, la lavadora se pausa, debe pasar un minuto para poder abrir la puerta. En caso de que se desagote y que aparezca el código de información en la pantalla, la puerta no se abrirá hasta 3 minutos después de que la lavadora se haya detenido o apagado. • La puerta no se abre si desenchufó el cable de alimentación mientras estaba funcionando el producto. <ul style="list-style-type: none"> - Enchufe el cable de alimentación y encienda el producto. De ser necesario, desactive el Seguro para niños, y luego mantenga presionado Inicio/Pausa (Hold to Start (Mantenga presionado para iniciar)) para detener el funcionamiento.
Exceso de espuma.	<ul style="list-style-type: none"> • Asegúrese de utilizar los tipos y cantidades de detergente recomendados. • Use un detergente de alta eficacia (HE, por su sigla en inglés) para evitar la formación de espuma en exceso. • Reduzca la cantidad de detergente para el agua blanda, las cargas pequeñas o ligeramente sucias. • No se recomienda un detergente de baja eficacia.

Solución de problemas

Problema	Acción
<p>No se puede agregar detergente adicional.</p>	<ul style="list-style-type: none"> • Asegúrese de que la cantidad restante de detergente y suavizante de telas no supere el límite.
<p>La lavadora se detiene.</p>	<ul style="list-style-type: none"> • Enchufe el cable de alimentación a un tomacorriente que funcione. • Revise el fusible o reinicie el disyuntor. • Cierre la puerta y mantenga presionado Inicio/Pausa (Hold to Start (Mantenga presionado para iniciar)) para iniciar la lavadora. Por su seguridad, la lavadora no girará ni centrifugará salvo que la puerta esté cerrada. • Antes de que la lavadora comience a llenarse, se oír una serie de sonidos semejantes a un "clic" para controlar la traba de la puerta y que se efectúe un drenaje rápido. • Se puede producir una pausa o un período de remojo en el ciclo. Espere un instante para ver si la lavadora comienza a funcionar. • Asegúrese de que el filtro de malla de la manguera de suministro de agua en las llaves del agua no esté obstruido. Limpie el filtro de malla periódicamente. • Si no se suministra suficiente energía a la lavadora, esta no drenará ni centrifugará temporalmente. En cuanto la lavadora recupere la energía suficiente, funcionará con normalidad.
<p>Se llena con agua a una temperatura incorrecta.</p>	<ul style="list-style-type: none"> • Abra por completo ambas llaves del agua. • Asegúrese de que la selección de temperatura sea la correcta. • Asegúrese de que las mangueras estén conectadas a las llaves correctas. Purgue las cañerías. • Asegúrese de que el calentador de agua esté configurado para suministrar agua caliente desde la llave a una temperatura mínima de 120 °F (49 °C). Asimismo, verifique la capacidad del calentador de agua y la velocidad de recuperación. • Desconecte las mangueras y limpie los filtros de malla. Los filtros de malla pueden estar obstruidos. • Mientras la lavadora se llena, la temperatura del agua puede variar debido a que la función automática de control de la temperatura verifica la temperatura del agua que ingresa. Esto es normal. • Mientras la lavadora se llena, es posible que observe que por el dosificador pasa solo agua caliente y/o solo agua fría cuando se seleccionan las temperatura fría o tibia. Esta es una función normal que cumple el control de temperatura automático dado que la lavadora determina la temperatura del agua.

Problema	Acción
La carga está húmeda al finalizar un ciclo.	<ul style="list-style-type: none"> • Use la velocidad de centrifugado Alta o Muy alta. • Use un detergente de alta eficacia (HE, por su sigla en inglés) para reducir la formación de espuma en exceso. • La carga es demasiado pequeña. Las cargas pequeñas (una o dos prendas) se pueden desequilibrar y no centrifugarse en absoluto. • Asegúrese de que la manguera de drenaje no esté enroscada ni obstruida.
Pierde agua.	<ul style="list-style-type: none"> • Asegúrese de que la puerta esté perfectamente cerrada. • Asegúrese de que todas las conexiones de las mangueras estén ajustadas. • Asegúrese de que el extremo de la manguera de drenaje esté correctamente conectado y asegurado al sistema de drenaje. • Evite sobrecargar la lavadora. • Use un detergente de alta eficacia (HE, por su sigla en inglés) para evitar la formación de espuma en exceso.
Tiene olor.	<ul style="list-style-type: none"> • El exceso de espuma se acumula en los huecos y puede causar malos olores. • Realice ciclos de limpieza para desinfectar periódicamente. • Limpie el sello de la puerta (diafragma). • Seque el interior de la lavadora una vez finalizado el ciclo.
Al finalizar un ciclo, la lavadora no se apaga y/o la puerta no se abre.	<ul style="list-style-type: none"> • Si el indicador de SELF CLEAN (AUTOLIMPIEZA)⁺ está encendido, retire todas las prendas del tambor y luego ejecute el ciclo SELF CLEAN (AUTOLIMPIEZA)⁺.

Si el problema persiste, comuníquese con un centro de servicio local de Samsung.



Solución de problemas

Códigos de información

Si la lavadora no funciona bien, puede ver un código de información en la pantalla. Consulte la siguiente tabla y pruebe las sugerencias.

Código	Acción
1C	<p>Revise el sensor del nivel del agua.</p> <ul style="list-style-type: none"> • Apague la lavadora. Espere 2-3 minutos, ponga la lavadora en marcha y vuelva a intentarlo. • Dependiendo del modelo, el sistema de drenaje drena el agua automáticamente. Los botones Encender/Apagar y Inicio/Pausa (Hold to Start (Mantenga presionado para iniciar)) pueden desactivarse durante este proceso.
DC	<p>La puerta está abierta.</p> <ul style="list-style-type: none"> • Cierre la puerta y mantenga presionado Inicio/Pausa (Hold to Start (Mantenga presionado para iniciar)) para reanudar el funcionamiento.
DC1	<p>Revise el interruptor de la puerta.</p> <ul style="list-style-type: none"> • Apague la lavadora. Espere 2-3 minutos, ponga la lavadora en marcha y vuelva a intentarlo.
LC	<p>Revise si hay fugas de agua.</p> <ul style="list-style-type: none"> • Apague la lavadora y, luego, revise el sistema de drenaje para ver si hay fugas. Una vez solucionado el problema de la fuga, ponga la lavadora en marcha. • Dependiendo del modelo, el sistema de drenaje drena el agua automáticamente. Los botones Encender/Apagar y Inicio/Pausa (Hold to Start (Mantenga presionado para iniciar)) pueden desactivarse durante este proceso.
4C	<p>Revise el conducto de suministro de agua.</p> <ul style="list-style-type: none"> • Revise la conexión de las cañerías de agua (incluidas las llaves del agua). • Apague la lavadora. Espere 2-3 minutos, ponga la lavadora en marcha y vuelva a intentarlo. • Dependiendo del modelo, el sistema de drenaje drena el agua automáticamente. Los botones Encender/Apagar y Inicio/Pausa (Hold to Start (Mantenga presionado para iniciar)) pueden desactivarse durante este proceso.
4C2	<p>La ropa necesita protección porque el agua suministrada está demasiado caliente.</p> <ul style="list-style-type: none"> • Asegúrese de que las llaves del agua fría y caliente estén conectadas correctamente. • Apague la lavadora. Espere 2-3 minutos, ponga la lavadora en marcha y vuelva a intentarlo.
5C	<p>Revise el sistema de drenaje.</p> <ul style="list-style-type: none"> • Asegúrese de que el filtro de drenaje no esté obstruido. • Si el filtro de drenaje está obstruido, límpielo y, luego, vuelva a poner en marcha la lavadora.



Código	Acción
HC	Revise el calentador de lavado. <ul style="list-style-type: none"> • Apague la lavadora y, luego, comuníquese con un centro de servicio de Samsung.
UB	Revise el proceso de centrifugado. <ul style="list-style-type: none"> • Es posible que la carga no esté equilibrada dentro del tambor. Revise el tambor y asegúrese de que la carga esté equilibrada. • Presione Inicio/Pausa (Hold to Start (Mantenga presionado para iniciar)) para reanudar el funcionamiento, o apague la lavadora, espere 2-3 minutos, póngala en marcha y vuelva a intentarlo.
8C, 8C1, 8C2	Revise el sensor MEMS. <ul style="list-style-type: none"> • Apague la lavadora. Espere 2-3 minutos, ponga la lavadora en marcha y vuelva a intentarlo.
OC	El agua puede desbordar. <ul style="list-style-type: none"> • Cierre la válvula de agua y comuníquese con el servicio técnico.
3C	Revise el motor. <ul style="list-style-type: none"> • Apague la lavadora. Espere 2-3 minutos, ponga la lavadora en marcha y vuelva a intentarlo.
AC6	Verifique el estado de comunicación de la PBA. <ul style="list-style-type: none"> • Apague la lavadora. Espere 2-3 minutos, ponga la lavadora en marcha y vuelva a intentarlo.
9C1, 9C2	Se debe revisar el control electrónico. <ul style="list-style-type: none"> • Revise si la alimentación se suministra normalmente. • Si el código de información permanece, comuníquese con un centro de servicio de Samsung.
SF	Falla del sistema. <ul style="list-style-type: none"> • Apague la lavadora y, luego, comuníquese con un centro de servicio de Samsung.

Si un código de información sigue apareciendo en la pantalla, comuníquese con un centro de servicio local de Samsung.

Especificaciones

Tabla de indicaciones sobre telas

Los siguientes símbolos ofrecen indicaciones acerca de las prendas. La etiqueta de indicaciones de la prenda incluye símbolos para secado, blanqueado, secado y planchado, o limpieza en seco cuando son necesarios. El uso de símbolos garantiza la consistencia entre los fabricantes textiles de artículos nacionales e importados. Siga las indicaciones de la etiqueta para optimizar la vida útil de la prenda y reducir los problemas del lavado.



Secar en secadora

Normal



Plancha permanente/Antiarrugas/Control de arrugas



Prendas suaves/delicadas

Ciclo de lavado

	Normal
	Plancha permanente/Antiarrugas/Control de arrugas
	Prendas suaves/delicadas
	Lavado a mano

Instrucciones especiales



Secar colgado/tender



Colgar para que escurra



Secar en posición horizontal

Temperatura del agua

	Caliente
	Tibia
	Fría

NOTA

El rango de temperatura para Caliente es de 135 °F (57 °C) o inferior, 95 °F (35 °C) o inferior para Tibia y 68 °F (20 °C) o inferior para Fría. La temperatura del agua del lavado debe alcanzar un mínimo de 60 °F (16 °C) para que se active el detergente y se logre un lavado eficaz.

Blanqueador

	Cualquier blanqueador (cuando sea necesario)
	Solo blanqueador sin cloro (protección del color) (si es necesario)

Ajuste del calor



Alto



Medio



Bajo



Cualquier calor



Sin calor/aire

Temperaturas de secado con plancha o vapor



Alta









Media








Baja

Símbolos de advertencia para el lavado

	No lavar
	No retorcer
	No usar blanqueador
	No secar en secadora
	Sin vapor (agregado a la plancha)
	No planchar

Limpiar en seco

	Limpiar en seco
	No limpiar en seco
	Secar colgado/tender
	Colgar para que escurra
	Secar en posición horizontal

Protección del medio ambiente

- Este electrodoméstico se fabrica con materiales reciclables. Si decide deshacerse de ella, siga la normativa local relacionada con la eliminación de desechos. Corte el cable de alimentación para que el electrodoméstico no pueda conectarse a una fuente de alimentación. Quite la tapa para que los animales y los niños pequeños no puedan quedar atrapados dentro de la máquina.
- No utilice cantidades de detergente superiores a las recomendadas por los fabricantes de detergentes.
- Utilice productos quitamanchas y blanqueadores antes del ciclo de lavado solo cuando sea necesario.
- Ahorre agua y electricidad utilizando solo la capacidad total de la lavadora (la cantidad exacta depende del programa que se utilice).

Declaración de conformidad

Este electrodoméstico cumple con la norma UL2157.

Especificaciones

Español

Hoja de especificaciones

Tipo		Lavadora de carga frontal	
		WF50BG83**A*	
Presión de agua (psi (kPa))		20-116 (137-800)	
Peso NETO (lb (kg))		216 (98.0)	
Revolución del centrifugado		1200 rpm	
Potencia de calentamiento		900 W	
Consumo de potencia	Lavado	120 V	200 W
	Lavado y calentamiento		1150 W
	Centrifugar		550 W
	Drenaje		80 W

Garantía limitada (Estados Unidos)

LAVADORA SAMSUNG

GARANTÍA LIMITADA AL COMPRADOR CONSUMIDOR ORIGINAL CON PRUEBA DE COMPRA

El presente producto de la marca SAMSUNG, tal como lo provee y distribuye SAMSUNG ELECTRONICS AMERICA, INC. (SAMSUNG) y lo entrega como nuevo, en su caja de cartón original al comprador consumidor original, está garantizado por SAMSUNG contra defectos de fabricación de los materiales o la mano de obra durante el período limitado de la garantía, a partir de la fecha original de compra, de:

Un (1) año para las piezas y la mano de obra,

Tres (3) años para las piezas del tambor inoxidable (solo repuestos),

Diez (10) años para el motor DD (solo repuestos)

La presente garantía limitada es válida únicamente para productos comprados y usados en Estados Unidos que fueron instalados, operados y mantenidos de acuerdo con las instrucciones adjuntas o provistas con el producto. Para recibir el servicio técnico en garantía, el comprador debe comunicarse con SAMSUNG en la dirección o el teléfono que figuran más abajo con el fin de que se determine el problema y los procedimientos del servicio. El servicio técnico de la garantía solo puede ser prestado por un centro de servicio técnico autorizado de SAMSUNG. Para recibir el servicio técnico en garantía debe presentarse la factura original de compra fechada cuando así lo solicite SAMSUNG o el Centro de Servicio autorizado Samsung como prueba de compra.

Samsung brindará servicio técnico a domicilio dentro del territorio contiguo de Estados Unidos durante el período de garantía sin cargo, sujeto a la disponibilidad de los centros de servicio autorizados por SAMSUNG dentro de la zona geográfica del cliente. Si el servicio técnico a domicilio no está disponible, SAMSUNG puede, a su elección, optar por transportar el producto hasta y desde un centro de servicio técnico autorizado. Si el producto está ubicado en una zona en la que no se encuentra disponible ningún centro de servicio autorizado por SAMSUNG, usted podrá ser responsable del cargo por transporte o se le podrá requerir que transporte el producto a un centro de servicio autorizado por SAMSUNG para recibir asistencia técnica.

Para recibir el servicio técnico a domicilio, el producto no debe presentar obstrucciones y debe ser accesible para el agente del servicio técnico.

Durante el período de garantía aplicable, el producto se reparará o se reemplazará, o se devolverá el importe de compra, a la entera discreción de SAMSUNG. SAMSUNG podrá usar piezas nuevas o reacondicionadas para la reparación del producto, o reemplazar el producto por un producto nuevo o reacondicionado. La vigencia de la garantía de las piezas y los productos reemplazados será por el período restante de la garantía original del producto o por un período de noventa (90) días, el que sea el más largo. Todas las piezas y los productos reemplazados son propiedad de SAMSUNG y deben ser devueltos a SAMSUNG.

Garantía limitada (Estados Unidos)

La presente garantía limitada cubre defectos de fabricación de los materiales o la mano de obra que ocurran durante el uso normal y doméstico de este producto y no cubrirá lo siguiente: daños que ocurran durante el envío, entrega e instalación y usos para los cuales el presente producto no fue destinado; daños causados por modificación o alteración no autorizada del producto; producto cuyos números de serie originales de fábrica fueron eliminados, desfigurados, alterados en algún modo o que no se puedan determinar fácilmente; daños cosméticos incluyendo rayones, hendiduras, abolladuras y otros daños al acabado del producto; daño causado por abuso o mal uso, plagas, accidente, incendio, inundación u otros casos fortuitos o de fuerza mayor; daño causado por el uso de equipo, utilidades, servicios, piezas, suministros, accesorios, aplicaciones, instalaciones, reparaciones, cableado externo o conectores no provistos ni autorizados por SAMSUNG; daño causado por línea eléctrica o voltaje incorrecto, fluctuaciones y sobretensión; daño causado por no operar y mantener el producto de acuerdo con las instrucciones; instrucción a domicilio acerca de cómo usar el producto; y servicio técnico para corregir una instalación que no cumpla con los códigos eléctricos o de plomería o corrección de cableado eléctrico o tuberías (es decir, cableado doméstico, fusibles o mangueras de entrada de agua). El costo de reparación o reemplazo bajo estas circunstancias excluidas será responsabilidad del cliente.

Las visitas de un proveedor de servicio técnico autorizado para explicar funciones, mantenimiento o instalación del producto no se cubren bajo esta garantía limitada. Comuníquese con Samsung al número que figura abajo para obtener ayuda con cualquiera de estos problemas.

EXCLUSIÓN DE GARANTÍAS IMPLÍCITAS

LAS GARANTÍAS IMPLÍCITAS, INCLUYENDO GARANTÍAS IMPLÍCITAS DE COMERCIABILIDAD O APTITUD PARA UN PROPÓSITO EN PARTICULAR, ESTÁN LIMITADAS A UN AÑO O AL PERIODO MÁS CORTO PERMITIDO POR LA LEY. Algunos estados no permiten limitaciones en cuanto al periodo de vigencia de una garantía implícita, de tal forma que las limitaciones o exclusiones mencionadas tal vez no se apliquen a usted en particular. Esta garantía le otorga derechos específicos, e incluso usted también puede tener otros derechos que varían de un estado a otro.

LIMITACIÓN DE RECURSOS

EL ÚNICO Y EXCLUSIVO RECURSO ES LA REPARACIÓN DEL PRODUCTO, EL REEMPLAZO DEL PRODUCTO O LA DEVOLUCIÓN DEL IMPORTE DE COMPRA, A DISCRECIÓN DE SAMSUNG, CONFORME A ESTA GARANTÍA LIMITADA. SAMSUNG NO SERÁ RESPONSABLE POR DAÑOS ESPECIALES, IMPREVISTOS O DERIVADOS, INCLUYENDO ENTRE OTROS, TIEMPO FUERA DEL TRABAJO, HOTELES Y/O COMIDAS EN RESTAURANTES, GASTOS DE REMODELACIÓN, PÉRDIDAS DE INGRESOS O GANANCIAS, INCAPACIDAD DE GENERAR AHORROS U OTROS BENEFICIOS INDEPENDIENTEMENTE DE LA TEORÍA LEGAL EN LA QUE SE BASE EL RECLAMO, E INCLUSO SI SAMSUNG HA SIDO ADVERTIDA DE LA POSIBILIDAD DE DICHOS DAÑOS. Algunos estados no permiten la exclusión o la limitación de daños imprevistos o derivados, por lo que las limitaciones o exclusiones mencionadas tal vez no se apliquen a usted en particular. Esta garantía le otorga derechos específicos, e incluso usted también puede tener otros derechos que varían de un estado a otro.

SAMSUNG no garantiza el funcionamiento ininterrumpido o sin errores del producto. Ningún aval o garantía otorgados por otra persona, compañía o corporación con respecto al presente producto revestirá carácter vinculante para SAMSUNG.

Para obtener el servicio de garantía, comuníquese con SAMSUNG en:

Samsung Electronics America, Inc.

85 Challenger Road

Ridgefield Park, NJ 07660

1-800-SAMSUNG (726-7864)

www.samsung.com/us/support

Garantía (CANADÁ)

LAVADORA SAMSUNG

GARANTÍA LIMITADA PARA EL COMPRADOR ORIGINAL

El presente producto de la marca SAMSUNG, tal como lo provee y distribuye SAMSUNG ELECTRONICS CANADA, INC. (SAMSUNG) y lo entrega como nuevo, en su caja de cartón original al comprador o consumidor original, está garantizado por SAMSUNG contra defectos de fabricación de los materiales y la mano de obra durante el período limitado de la garantía de:

Un (1) año para las piezas y la mano de obra. Diez (10) años para el motor DD (solo el repuesto)

La presente garantía limitada comienza en la fecha original de compra y es válida únicamente para productos comprados y usados en Canadá. Para recibir el servicio técnico de la garantía, el comprador debe comunicarse con SAMSUNG con el fin de que se determine el problema y los procedimientos del servicio. El servicio técnico de la garantía solo puede ser prestado por un centro de servicio técnico autorizado de SAMSUNG. Se debe presentar la factura de compra original como prueba de compra a SAMSUNG o al servicio técnico autorizado de SAMSUNG. SAMSUNG prestará servicio técnico a domicilio durante el período de la garantía sin costo, sujeto a la disponibilidad dentro de Canadá. El servicio técnico a domicilio no está disponible en todas las áreas.

Para recibir el servicio técnico a domicilio, el producto no debe presentar obstrucciones y debe ser accesible para el agente del servicio técnico. Si el servicio técnico no está disponible, SAMSUNG puede optar por transportar el producto hasta y desde el servicio técnico autorizado.

SAMSUNG reparará, reemplazará el producto u ofrecerá un reembolso a su criterio y sin cargo adicional, tal como se establece en la presente garantía, con piezas o productos nuevos o reacondicionados si se verifica que es defectuoso durante el período limitado de la garantía especificado anteriormente. Todas las piezas y los productos reemplazados pasan a ser propiedad de SAMSUNG y deben ser devueltos a SAMSUNG. Las piezas y los productos reemplazados asumen la garantía original que resta, o noventa (90) días, el período que sea el más prolongado. La presente garantía limitada cubre defectos de fabricación de los materiales y la mano de obra encontrados durante el uso normal y doméstico de este producto y no será válida para lo siguiente: daños que ocurran durante el envío; entrega e instalación; aplicaciones y usos para los cuales el presente producto no fue destinado; números de serie o de producto alterados; daño cosmético o de acabado exterior; accidentes, abuso, descuido, incendio, inundación, caída de rayos, u otros casos fortuitos o de fuerza mayor; uso de productos, equipos, sistemas, utilidades, servicios, piezas, suministros, accesorios, aplicaciones, instalaciones, reparaciones, cableado externo o conectores no provistos ni autorizados por SAMSUNG que dañen este producto o que acarreen problemas en el servicio; voltaje de la línea eléctrica incorrecto, fluctuaciones y sobrevoltaje; ajustes del cliente e incumplimiento de lo establecido en el manual de instrucciones; traslado e reinstalación del producto; problemas causados por plagas. La presente garantía limitada no cubre problemas derivados de la corriente, el voltaje o el suministro eléctrico incorrectos, las bombillas de luz, los fusibles de la casa, el cableado de la casa, el costo del servicio técnico para recibir instrucciones o corregir errores en la instalación. SAMSUNG no garantiza el funcionamiento ininterrumpido o sin errores del producto.

SALVO LO ESTABLECIDO EN LA PRESENTE GARANTÍA, NO EXISTEN GARANTÍAS SOBRE EL PRESENTE PRODUCTO, YA SEAN EXPRESAS O TÁCITAS, Y SAMSUNG DESCONOCE TODAS LAS GARANTÍAS QUE INCLUYEN, AUNQUE NO EN CARÁCTER TAXATIVO, CUALQUIER GARANTÍA TÁCITA DE QUE EL PRODUCTO SE ENCUENTRA EN CONDICIONES APTAS PARA LA VENTA, DE DEFRAUDACIÓN DE DERECHOS O DE QUE EL PRODUCTO SE ADECUA A LOS FINES ESPECÍFICOS PARA LOS CUALES SE ADQUIERE.

NINGÚN AVAL O GARANTÍA OTORGADOS POR PERSONA, COMPAÑÍA O CORPORACIÓN ALGUNA CON RESPECTO AL PRESENTE PRODUCTO REVESTIRÁ CARÁCTER VINCULANTE PARA SAMSUNG. SAMSUNG NO SERÁ RESPONSABLE POR PÉRDIDAS DE INGRESOS O LUCRO CESANTE, IMPOSIBILIDAD DE GENERAR AHORROS U OBTENER OTROS BENEFICIOS, O CUALQUIER DAÑO DERIVADO DE CIRCUNSTANCIAS ESPECIALES, DAÑO IMPREVISTO O DERIVADO CAUSADO POR EL USO, USO INCORRECTO, O INCAPACIDAD PARA USAR EL PRESENTE PRODUCTO, INDEPENDIENTEMENTE DE LA TEORÍA LEGAL EN QUE SE FUNDE EL RECLAMO Y AUN CUANDO SE LE HAYA NOTIFICADO A SAMSUNG DE LA POSIBILIDAD DE TALES DAÑOS.

NINGÚN RESARCIMIENTO DE NINGUNA ÍNDOLE CONTRA SAMSUNG SUPERARÁ EL MONTO DE COMPRA DEL PRODUCTO VENDIDO POR SAMSUNG Y CAUSANTE DEL PRESUNTO DAÑO. SIN LIMITAR LO PRECEDENTE, EL COMPRADOR ASUME TODO EL RIESGO Y LA RESPONSABILIDAD POR PÉRDIDA, DAÑO O LESIÓN AL COMPRADOR Y A LOS BIENES DEL COMPRADOR Y A TERCEROS Y A SUS BIENES DERIVADOS DEL USO, USO INCORRECTO O INCAPACIDAD PARA USAR EL PRESENTE PRODUCTO. LA PRESENTE GARANTÍA LIMITADA NO SE EXTENDERÁ A NINGUNA PERSONA DISTINTA DEL COMPRADOR ORIGINAL DEL PRESENTE PRODUCTO, ES INTRANSFERIBLE Y ESTABLECE SU EXCLUSIVA REPARACIÓN.

Algunas provincias no permiten limitaciones en cuanto al plazo de una garantía implícita, o la exclusión o limitación de daños imprevistos o derivados, por lo que las limitaciones o exclusiones antedichas pueden no aplicarse en su caso.

Esta garantía le otorga derechos específicos, y además puede tener otros derechos que varían según la provincia en la que se encuentre.

Para recibir servicio técnico de garantía, comuníquese con SAMSUNG a:

Samsung Electronics Canada Inc.

2050 Derry Road West,

Mississauga, Ontario L5N 0B9 Canada

1-800-SAMSUNG (726-7864)

www.samsung.com/ca/support (English)

www.samsung.com/ca_fr/support (French)

FAX: 1-866-436-4617

Las visitas del personal de servicio técnico para explicar funciones, mantenimiento o instalación no están cubiertas por la garantía.

Póngase en contacto con su agente del centro de llamadas Samsung para que le asesore.

SAMSUNG



Scan the QR code* or visit
www.samsung.com/spsn
to view our helpful
How-to Videos and Live Shows

*Requires reader to be installed on your smartphone

Scan this with your smartphone

¿PREGUNTAS O COMENTARIOS?

PAÍS	LLAME AL	O VISÍTENOS EN LÍNEA EN
U.S.A	1-800-SAMSUNG (726-7864)	www.samsung.com/us/support
CANADA	1-800-SAMSUNG(726-7864)	www.samsung.com/ca/support (English) www.samsung.com/ca_fr/support (French)



DC68-04355B-00