

# Installation Instructions

## for Topload Washers

**Original Instructions**

**Keep These Instructions for Future Reference.**

**CAUTION: Read the instructions before using the machine.**

(If this machine changes ownership, this manual must accompany machine.)



[www.speedqueen.com](http://www.speedqueen.com)

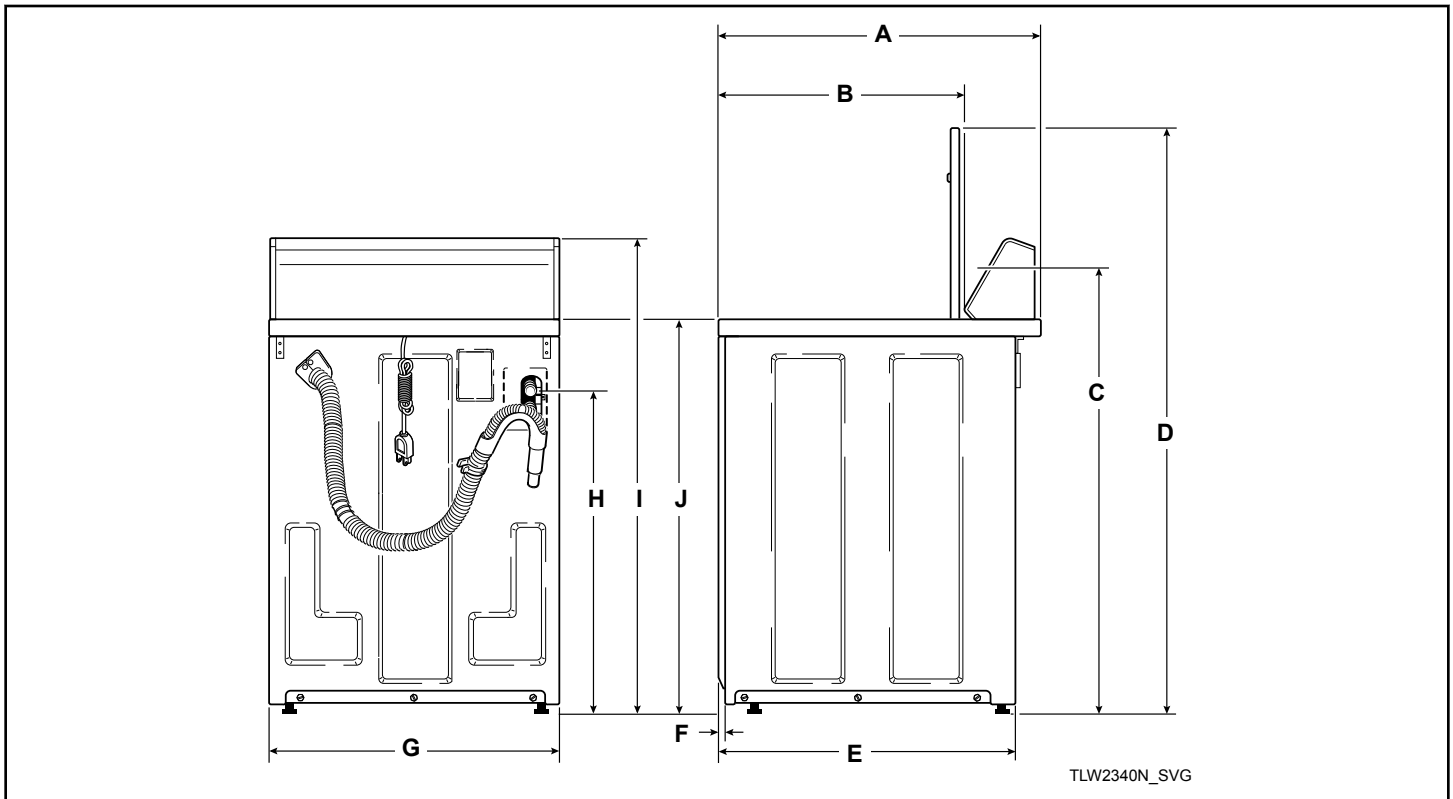
Part No. 204104ENR4  
May 2019



# Table of Contents

<b>Dimensions and Specifications.....</b>	<b>4</b>
<b>Installation.....</b>	<b>5</b>
Before You Start.....	5
Supplies.....	5
Parts Included.....	5
Parts Needed.....	5
Order of Installation Steps.....	5
Remove the Shipping Brace and Shipping Plug.....	5
Wipe Out Inside of Washtub.....	6
Connect Fill Hoses.....	6
Water Supply Requirements.....	6
Connecting Hoses.....	7
Connect Drain Hose to Drain Receptacle.....	7
Standpipe Installation.....	7
Low Standpipe Installation.....	8
Wall Installation.....	8
Laundry Tub Installation.....	8
Position and Level the Washer.....	9
Plug In the Washer.....	9
Electrical Requirements.....	10
Earth/Ground Instructions.....	10
Check Lid Lock.....	11
Check Installation.....	11
<b>Installer Checklist.....</b>	<b>12</b>

# Dimensions and Specifications



A	28 in. [711 mm]
B	22.13 in. [562 mm]
C (to controls)	Electronic Control: *41.25 in. [1048 mm] Knob Control: *40.75 [1035 mm]
D	*53 in. [1346 mm]
E	26 in. [660 mm]
F	0.4 in. [10 mm]
G	25.63 in. [651 mm]
H	*29 in. [737 mm]
I	*42.75 in. [1086 mm]
J	*36 in. [914 mm]
	*With leveling legs turned into base.

# Installation

## Before You Start

### Supplies

For most installations, the basic supplies you will need are:

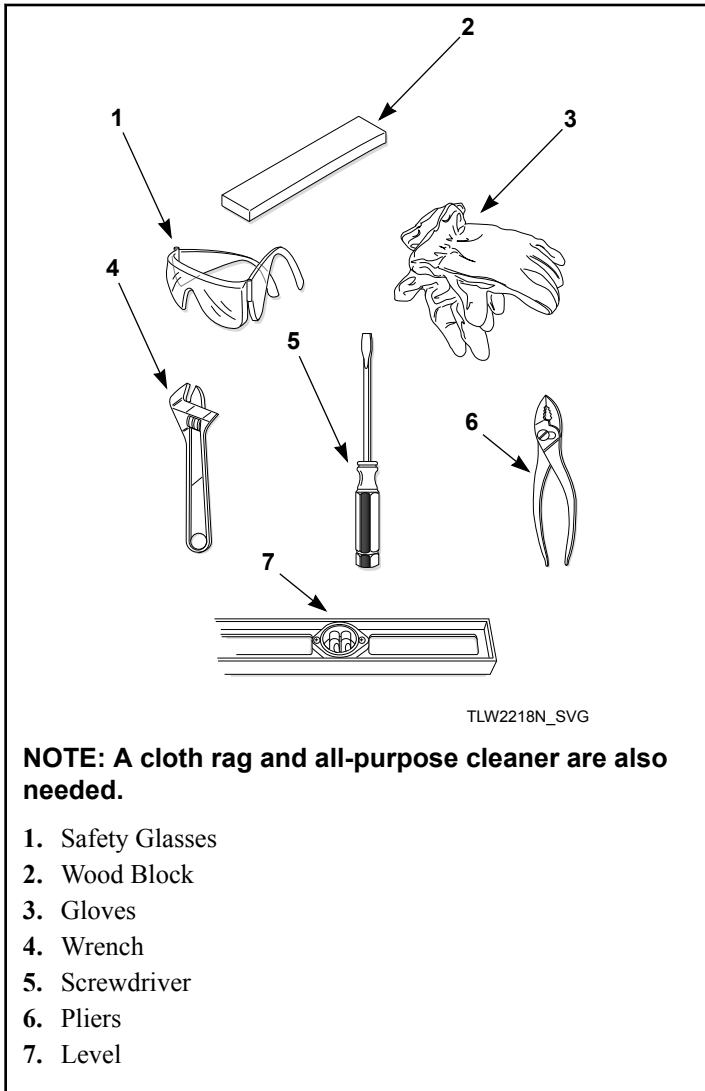


Figure 1

**NOTE: If the washer is delivered on a cold day (below freezing), or is stored in an unheated room or area during the cold months, do not attempt to operate it until the washer has had a chance to warm up.**

**NOTE: Install dryer before washer. This allows room for attaching exhaust duct.**

**NOTE: This appliance is suitable for use in countries having a warm, damp climate.**

### Parts Included

An accessories bag has been shipped inside your washer. It includes:

- Two filter screen washers
- Two plain rubber washers
- Four rubber feet
- Beaded strap
- Product literature

### Parts Needed

Two fill hoses are required for installation. Order 807239 Hose Kit if needed. Kit includes two fill hoses color-coded for hot and cold water.

If using any other hoses, follow these requirements:

- Hoses must be new.
- Hoses must be a minimum of 3/8 in. inside diameter. Smaller inside diameter hoses will cause long fill times which could create nuisance fill errors.
- The two plain rubber washers and two filter screens included with the washer in the accessories bag must be installed in the fill hose couplings. Refer to *Connecting Hoses*. The filter screens help prevent foreign materials from clogging the water mixing valve.

### Order of Installation Steps

The proper order of steps must be followed to ensure correct installation. Refer to the list below when installing your unit.

1. Put on safety glasses and gloves.
2. Remove the shipping brace and shipping plug.
3. Wipe out inside of the washer.
4. Connect the fill hoses.
5. Connect the drain hose to the drain receptacle.
6. Position and level the washer.
7. Plug in the washer.
8. Check the lid lock.
9. Check installation.

## Remove the Shipping Brace and Shipping Plug

1. Remove the shipping brace from under the lid.
2. The shipping plug will be released from the base of the washer when removing the cardboard base from the washer.

The shipping brace and plug should be saved and must be reinstalled whenever washer is moved or transported to a new location. This will prevent damage to washer components.

Do not tilt washer to front or sides when moving.

Refer to the User's Guide for instructions on reinstalling the shipping materials.

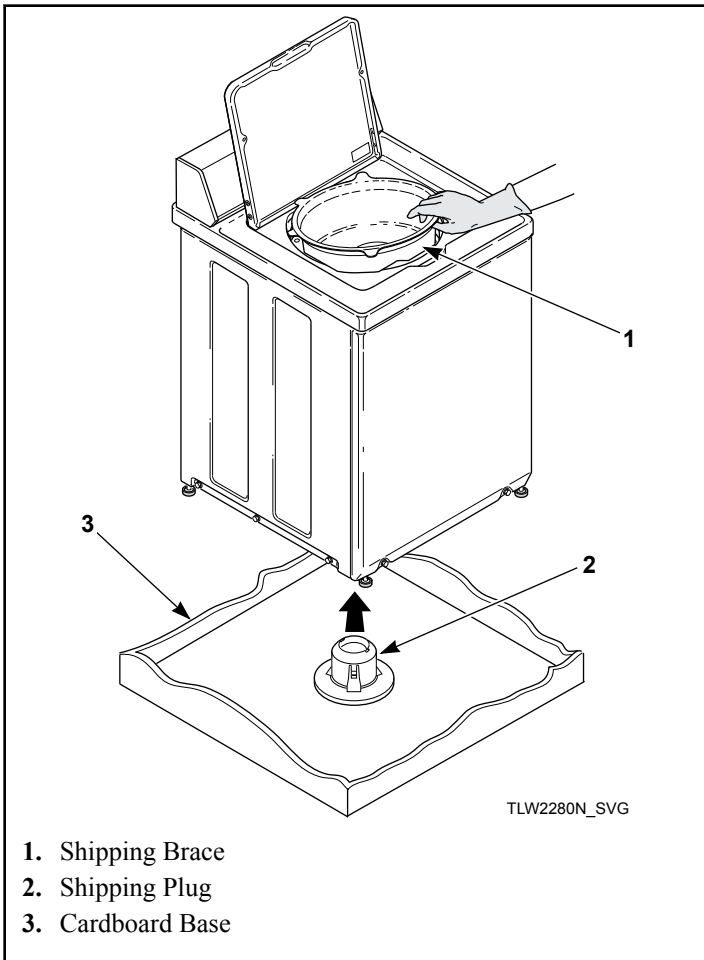


Figure 2

## Wipe Out Inside of Washtub

Prior to first wash, use an all purpose cleaner or a detergent and water solution and a damp cloth to remove shipping dust from inside of washtub.

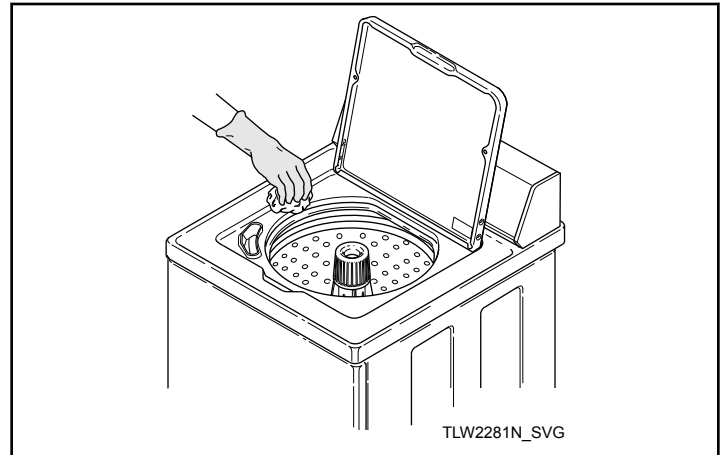


Figure 3

## Connect Fill Hoses



### WARNING

Under certain conditions, hydrogen gas may be produced in a hot water system that has not been used for two weeks or more. **HYDROGEN GAS IS EXPLOSIVE.** If the hot water system has not been used for such a period and before using the washer, turn on all hot water faucets and let the water flow from each for several minutes. This will release any accumulated hydrogen gas. The gas is flammable. Do not smoke or use an open flame during this time.

W029

### Mixing Valve Flow Rates

Pressure psi [kPa]	HOT gallons per minute [liters per minute]	COLD gallons per minute [liters per minute]	WARM gallons per minute [liters per minute]
20 [138]	3.4 [12.9]	3.4 [12.9]	4.0 [15.1]
120 [827]	4.6 [17.4]	4.6 [17.4]	4.6 [17.4]

### Water Supply Requirements

Water supply faucets must fit standard 3/4 inch [19 mm] female garden hose couplings. **DO NOT USE SLIP-ON OR CLAMP-ON CONNECTIONS.**

**NOTE: Water supply faucets should be readily accessible to permit turning them off when washer is not being used.**

Recommended cold water temperature is 50° to 75° Fahrenheit [10° to 24° Celsius]. Recommended maximum hot water temperature is 125° Fahrenheit [51° Celsius]. Warm water is a mixture of hot and cold water. Warm water temperature is dependent upon the water temperature and the pressure of both the hot and cold water supply lines.



## WARNING

**To prevent personal injury, avoid contact with inlet water temperatures higher than 125° Fahrenheit [51° Celsius] and hot surfaces.**

W748

Water pressure must be a minimum of 20 to a maximum of 120 pounds per square inch [minimum of 138 to a maximum of 827 kPa] static pressure measured at the faucet.

**NOTE: Water pressure under 20 pounds per square inch [138 kPa] will cause an extended fill time in the washer.**

Turn on the water supply faucets and flush the lines for approximately two minutes to remove any foreign materials that could clog the screens in the water mixing valve. This is especially important when installing your washer in a newly constructed or renovated building. Build-up may have occurred during construction.

### Connecting Hoses

1. Remove the two plain rubber washers and two filter screens from the accessories bag.
2. Install them into each end of the fill hoses as shown in *Figure 4*. The screen must be facing outward.
3. Screw hose couplings with the filter screens onto the water faucets until they are finger-tight. Use the red color-coded hose for the hot water connection and the blue color-coded hose for the cold water connection.
4. Then, using a pliers, screw approximately 1/4 turn.
5. Screw hose couplings from other end of hoses onto the water mixing valve until they are finger-tight. Make sure the red color-coded hose from the hot water faucet goes to the water mixing valve marked “H” and the blue color-coded hose from the cold faucet goes to the valve marked “C”. Refer to *Figure 4*.
6. Then, using a pliers, screw approximately 1/4 turn.

**IMPORTANT: DO NOT cross thread or overtighten couplings. This will cause them to leak.**

7. Turn water on and check for leaks.
8. If leaks are found, turn off the water, unscrew hoses and reinstall them until there are no leaks.

**IMPORTANT: Turn off water supply whenever there will be an extended period of non-use.**

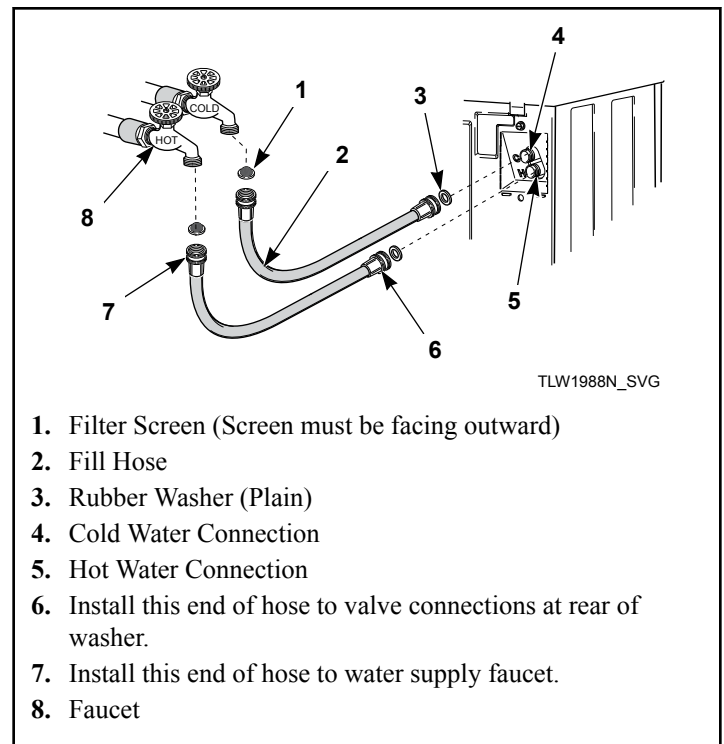


Figure 4

### IMPORTANT:

**Hoses and other rubber parts deteriorate after extended use. Hoses may develop cracks, blisters or material wear from the temperature and constant high pressure they are subjected to.**

**All hoses should be checked on a monthly basis for any visible signs of deterioration. Any hose showing the signs of deterioration listed above should be replaced immediately. All hoses should be replaced every five years.**

### Connect Drain Hose to Drain Receptacle

1. Remove the drain hose from its shipping position on the rear of the washer by unhooking the hose from the retainer clamp.
2. Install the drain hose into the drain receptacle (standpipe, wall or laundry tub) following the instructions below.

**NOTE: Drain receptacle must be capable of handling a minimum of 1-1/4 inch [32 mm] outside diameter drain hose.**

### Standpipe Installation

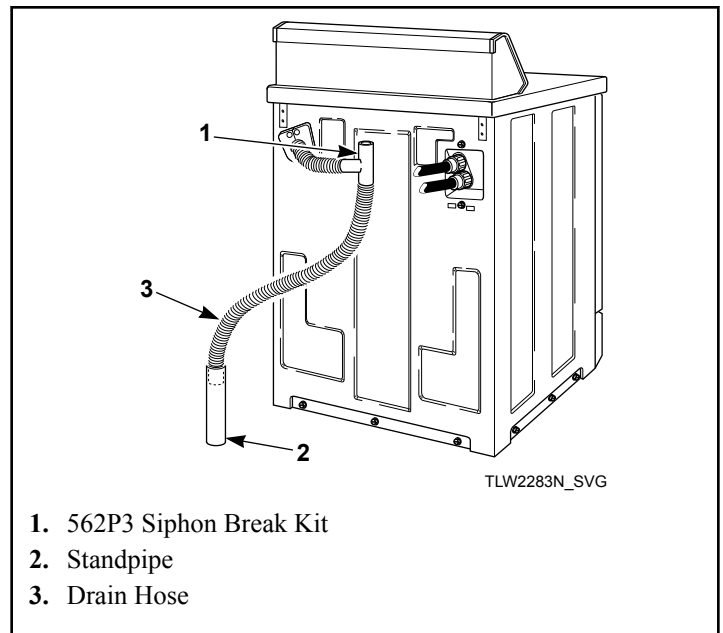
1. Check standpipe height. The recommended height for the standpipe is 36 inches [914 mm]. Standpipes higher than 4 feet [1220 mm] will result in slower draining and may extend cycle times.

**NOTE: Machine will not drain if standpipe is higher than 8 feet [2438 mm].**

2. Place the drain hose into the standpipe.

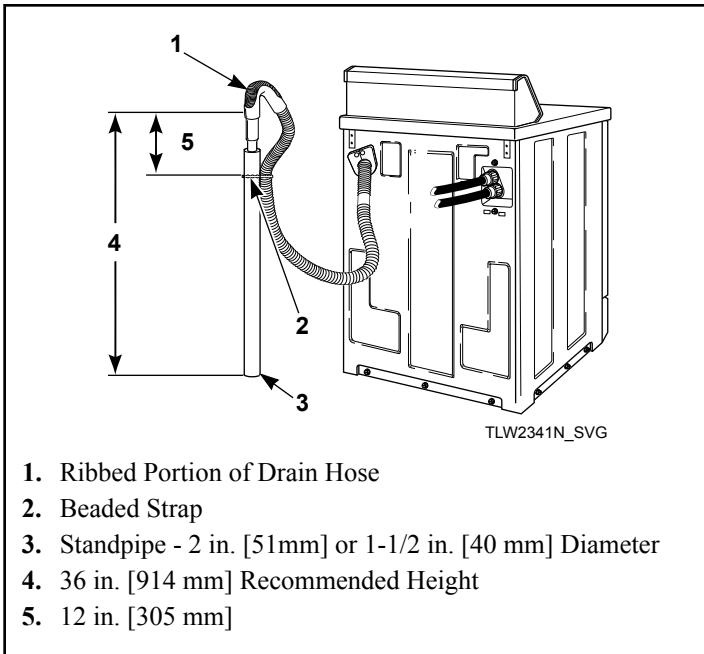
**IMPORTANT: To prevent siphoning, do not place any ribbed portion of the drain hose into the standpipe.**

3. Remove the beaded strap from accessories bag and place around standpipe and drain hose, approximately 12 inches [300 mm] down from the top of pipe. Refer to *Figure 5*.
  - a. Insert the end of the beaded strap into the larger hole found on the end of the strap.
  - b. Tighten to desired fit.
  - c. Lock strap in place by pulling beaded strap into the tapered smaller opening of the beaded strap end. A distinct snap noise should be heard once the strap is properly seated.
  - d. Pull on the strap once locked in place to ensure beaded strap is properly installed. This will prevent the drain hose from dislodging from drain receptacle during use.



1. 562P3 Siphon Break Kit
2. Standpipe
3. Drain Hose

Figure 6



1. Ribbed Portion of Drain Hose
2. Beaded Strap
3. Standpipe - 2 in. [51mm] or 1-1/2 in. [40 mm] Diameter
4. 36 in. [914 mm] Recommended Height
5. 12 in. [305 mm]

Figure 5

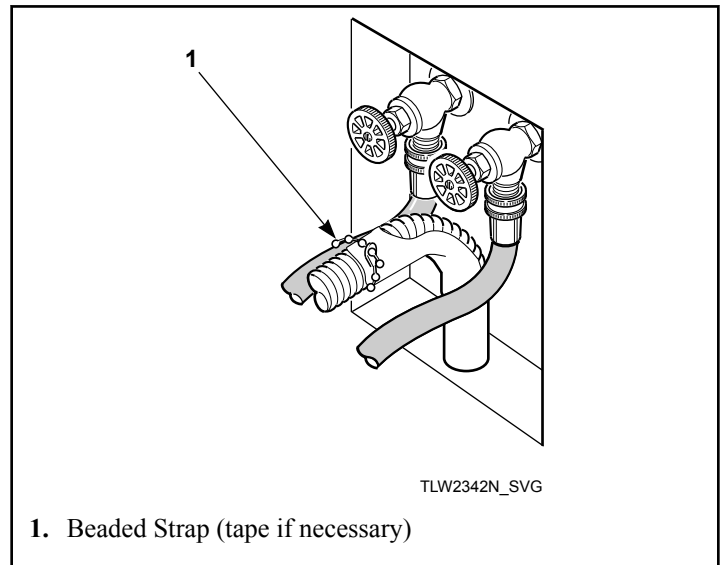
### Low Standpipe Installation

If standpipe is lower than 36 inches [914 mm], you must install No. 562P3 Siphon Break Kit. This kit is available (as optional equipment at extra cost) through an authorized dealer or parts distributor. Installation instructions are supplied with the kit.

### Wall Installation

Check wall drain height. The recommended height for the drain is 36 inches [914 mm].

For installations of this type, the drain hose **MUST** be secured to one of the fill hoses using the beaded strap from accessories bag. Refer to *Figure 7*.



1. Beaded Strap (tape if necessary)

Figure 7



## Laundry Tub Installation

For this type of installation, the drain hose **MUST** be secured to the stationary tub to prevent hose from dislodging during use. Use the beaded strap (supplied in accessories bag) to secure hose.

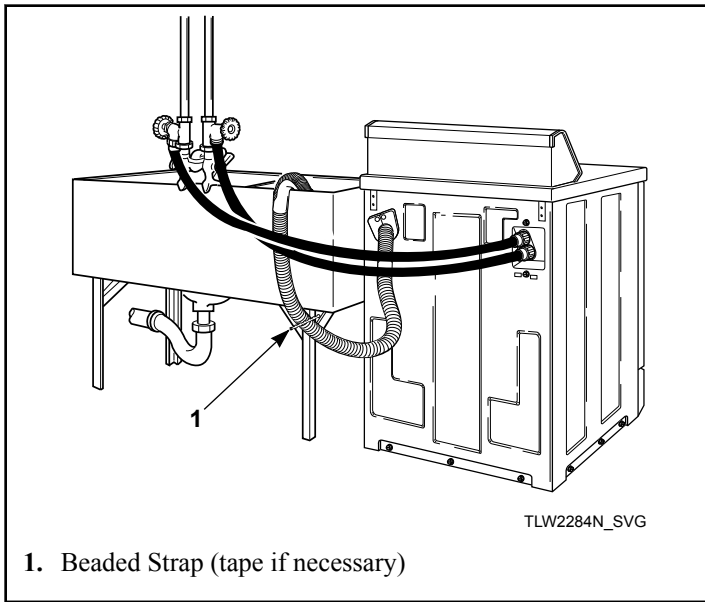


Figure 8

- Place rubber cups (from accessories bag) on all four leveling legs.

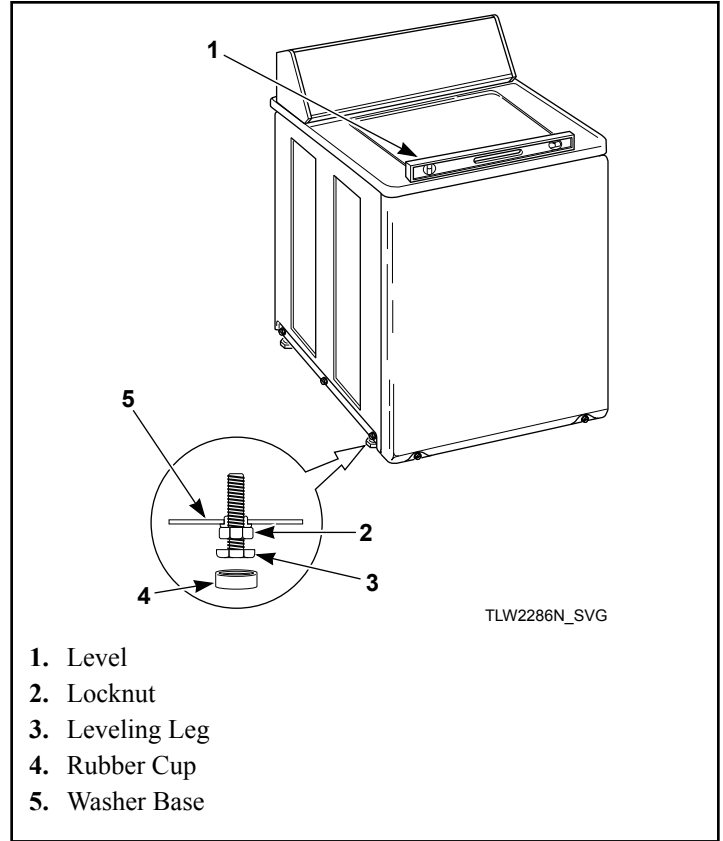


Figure 10

## Position and Level the Washer

- Position washer so it has sufficient clearance for installation and servicing.
- Place washer in position on a clean, dry, and reasonably firm floor. Installing the washer on any type of carpeting is not recommended.
- For easier access to leveling legs, prop up washer with a wooden block.

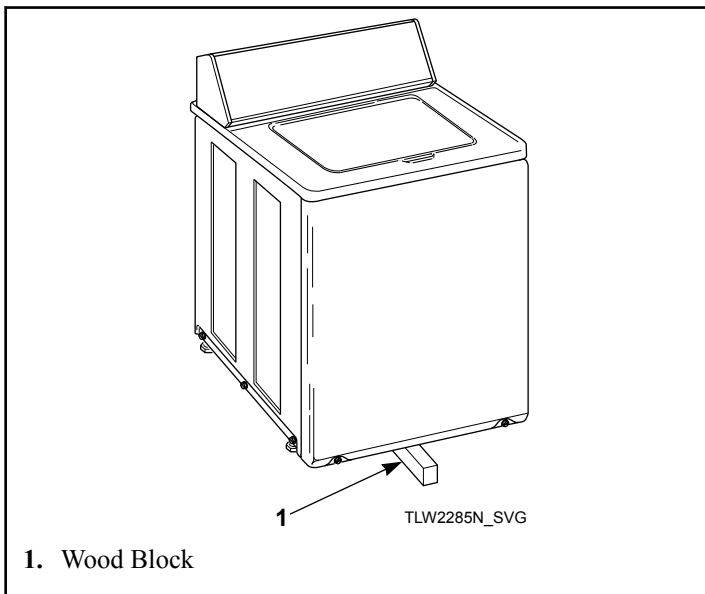


Figure 9

- Place a level on the cabinet top and check if the washer is level from side to side and front to back.
- If washer is not level, tilt washer back to access the front leveling legs. Loosen the locknuts and adjust legs by screwing into or out of washer base.
- Once adjusted, tilt the washer forward on front legs and lower back down into position to set the rear self-leveling legs.
- Washer must not rock. When washer is level and does not rock, tighten locknuts securely against bottom of washer base. If these locknuts are not tight, washer will not remain stationary during operation.

Improper installation or flexing of weak floor will cause excessive vibration.

Do not slide washer across floor once the leveling legs have been extended, as legs and base could become damaged.

- Verify that unit does not rock.

## Plug In the Washer

### Electrical Requirements

120 Volt, 60 Hertz with 3-Prong Earth/Ground Plug

**NOTE:** The wiring diagram is located in the control hood.

	<b>WARNING</b>
<p>To reduce the risk of fire, electric shock, serious injury or death, all wiring and protective earth/ground connections <b>MUST</b> conform with the latest edition of the National Electrical Code, ANSI/NFPA No. 70, and such local regulations as might apply. It is the customer's responsibility to have the wiring, fuses and circuit breakers installed by a qualified electrician to make sure adequate electrical power is available to the washer.</p>	
W824	

When plugging in the washer:

- DO NOT overload circuits.
- DO NOT use an extension cord.
- DO NOT use an adapter.
- DO NOT operate other appliances on the same circuit. Use separately fused 15 Amp circuits.

The washer is designed to be operated on a separate branch, polarized, three-wire, effective earth/ground, 120 Volt, 60 Hertz, AC (alternating current), circuit protected by a 15 ampere fuse, equivalent fusetron or circuit breaker.

The three-prong earth/ground plug on the power cord should be plugged directly into a polarized three-slot effective earth/ground receptacle rated 110/120 Volts AC (alternating current) 15 Amps. Refer to *Figure 11* to determine correct polarity of the wall receptacle.

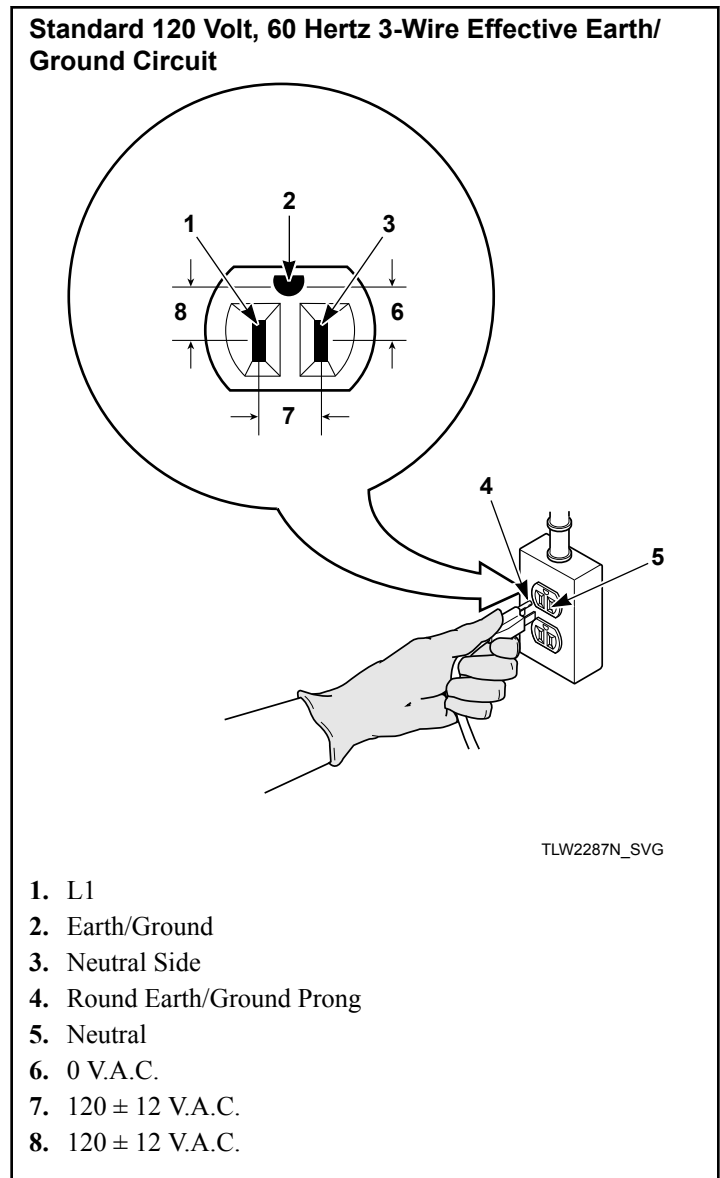


Figure 11

	<b>WARNING</b>
<p>To reduce the risk of an electric shock or fire, <b>DO NOT</b> use an extension cord or an adapter to connect the washer to the electric power source.</p>	
W082	

### Earth/Ground Instructions

This appliance must be properly connected to protective earth/ground. In the event of malfunction or breakdown, the earth/ground will reduce the risk of electric shock by providing a path of least resistance for electric current.

The appliance is equipped with a cord having an equipment earth/ground conductor and a three-prong earth/ground plug. The plug must be plugged into an appropriate outlet that is properly instal-

led and connected to a protective earth/ground in accordance with all local codes and ordinances.

	<b>WARNING</b>
<p><b>Improper connection of the equipment earth/ground conductor can result in a risk of electric shock. Check with a qualified electrician or service person if you are in doubt as to whether the unit is properly connected to a protective earth/ground.</b></p>	
W893	

- DO NOT modify the plug provided with the unit – if it will not fit the outlet, have a proper outlet installed by a qualified electrician.
- If the laundry room's electrical supply does not meet the above specifications and/or if you are not sure the laundry room has an effective earth/ground, have a qualified electrician or your local electrical utility company check it and correct any problems.

	<b>WARNING</b>
<p><b>This unit is equipped with a three-prong (earth/ground) plug for your protection against shock hazard and should be plugged directly into a protective earth/ground three-prong receptacle. Do not cut or remove the earth/ground prong from this plug.</b></p>	
W823	

## Check Lid Lock

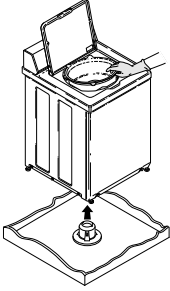
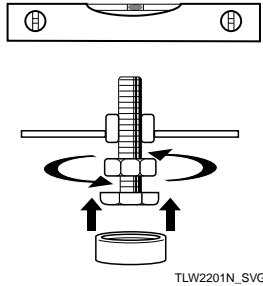
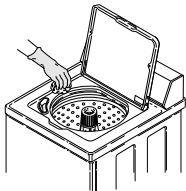
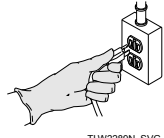
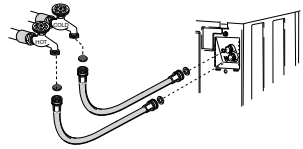
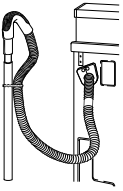
To check lid lock, start a cycle. Once the red Lid Locked status light is lit and stops flashing, make sure the lid has locked.

## Check Installation

1. Refer to Installer Checklist on the back cover of this manual and make sure that washer is installed correctly.
2. Run washer through one complete cycle to make sure it is operating properly.

# Installer Checklist

## Fast Track for Installing the Washer

1	Remove the Shipping Brace and Shipping Plug.	 <p>TLW2280N_SVG1</p>	5	Position and Level the Washer.	 <p>TLW2201N_SVG</p>
	CHECK			CHECK	
2	Wipe Out Inside of Washtub.	 <p>TLW2281N_SVG1</p>	6	Plug In the Washer.	 <p>TLW2289N_SVG</p>
	CHECK			CHECK	
3	Connect Fill Hoses.	 <p>TLW2285N_SVG</p>	7	Check Lid Lock.	
	CHECK			CHECK	
4	Connect Drain Hose to Drain Receptacle.	 <p>TLW2288N_SVG</p>			
	CHECK				

Refer to the manual for more detailed information.