

Installation GUIDE

7 SERIES
Multi-Unit Refrigeration Connector Kit


CKVBI / CKVBIW / CKVBIG

Table of Contents

NOTE: These instructions include information on how to install multiple 7 Series refrigeration units. For information on dimensions, specifications, and installation of single units, please refer to the installation guide included with the appliances.

Parts Included _____	2
Tools Needed _____	2
Install Configurations & Clearances _____	3
Cutout dimensions _____	4
Specifications _____	5
Anti-tip location _____	6
Preparing Units for Installation _____	7
Installation _____	9

! WARNING



TIP OVER HAZARD

Appliance is top heavy and tips easily when not completely installed. Keep doors closed until appliance is completely installed and secured per installation instructions.

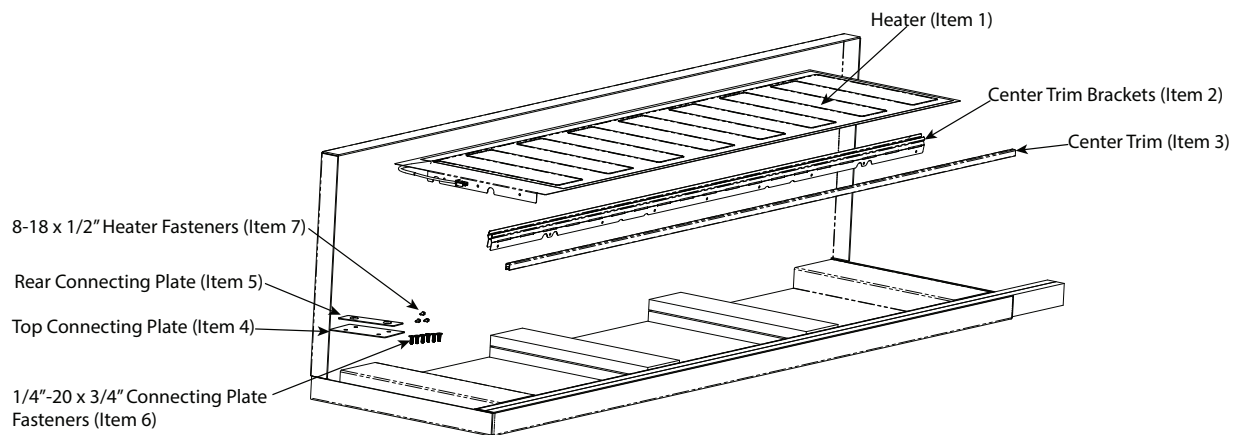
Use two or more people to move and install appliance. Failure to do so can result in death or serious injury.

Parts included

- Heater (1)
- Center Trim Brackets (2)
- Center Trim (1)
- Top Connecting Plate (1)
- Rear Connecting Plate (1)
- 1/4"-20 x 3/4" Connecting Plate Fasteners (6)
- #8-18 x 1/2" Heater Fasteners (3)

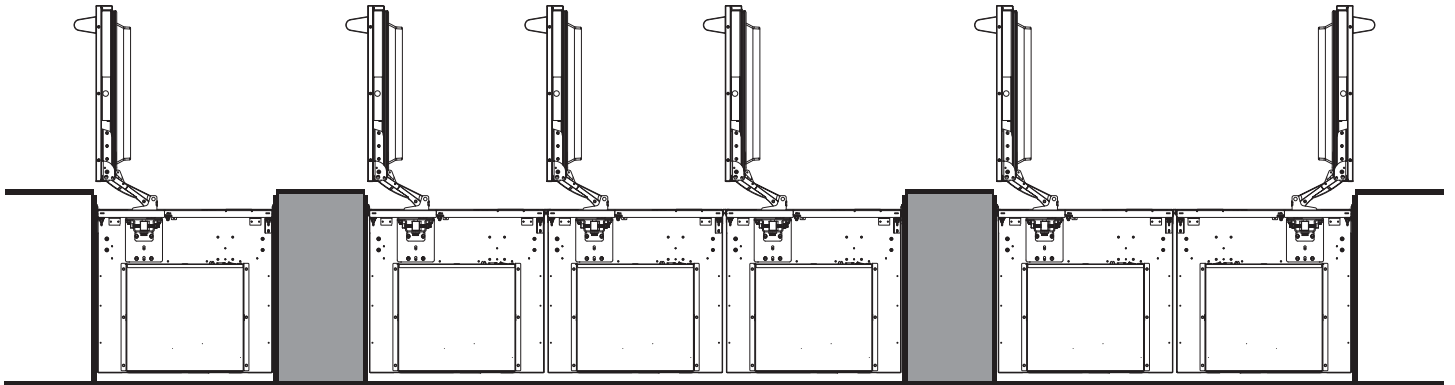
Tools Needed

- Drill (**Not to be used on the leveling feet or connecting plates**)
- Drill Bits - 3" Phillips (PH2), Torx (T15 & T20)
- 1/4" & 5/16" Hex Drive
- Rubber Mallet
- 3/8" Wrench
- 1/8" Allen Wrench



Install Configurations & Clearances

Recommended Configurations

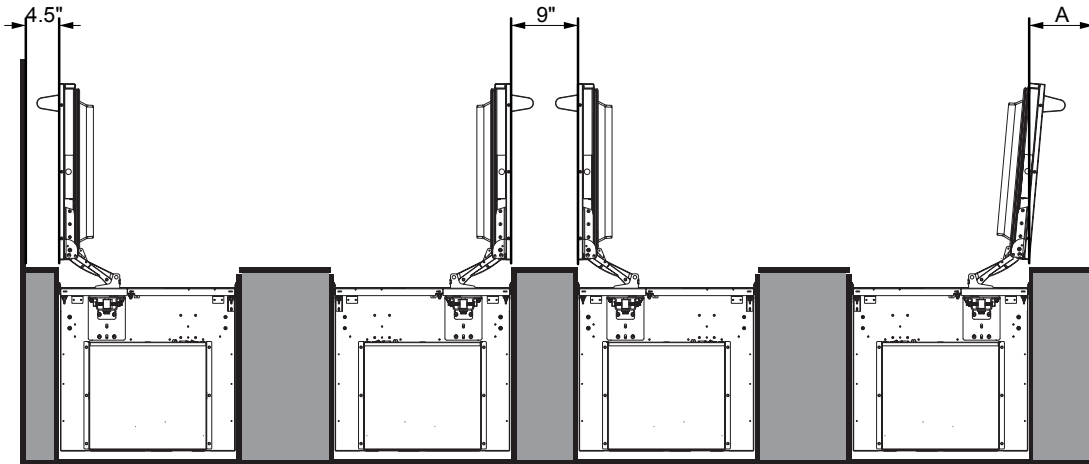


Single Unit Install

Stacked Unit Install
(All LH or RH Units)

Side by Side Unit Install
(Opposing LH & RH Units)

Recommended Clearances



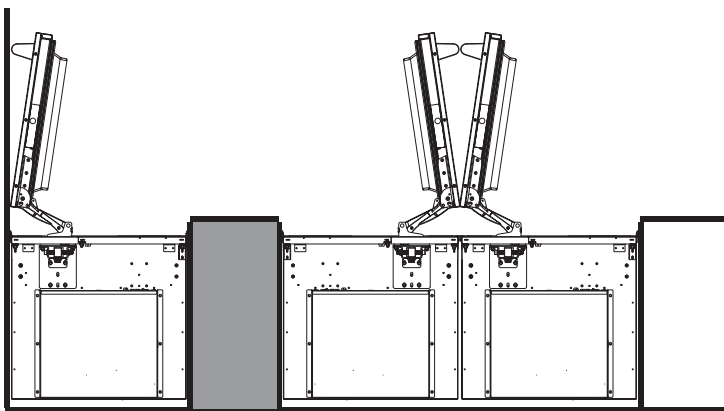
Unit Size	Dim. A
18	9.75"
24	11.5"
30	13"
36	18.75"

Unit in a Corner Door stop set at 90°
(Min. 4.5" from cutout to wall)

Units set Hinge to Hinge
with the hinges set to 90°
(Min. 9" from cutout to cutout)

Unit in a Corner
Door stop set to greater than 90°
(Refer to Chart for Cutout to Wall Clearance)

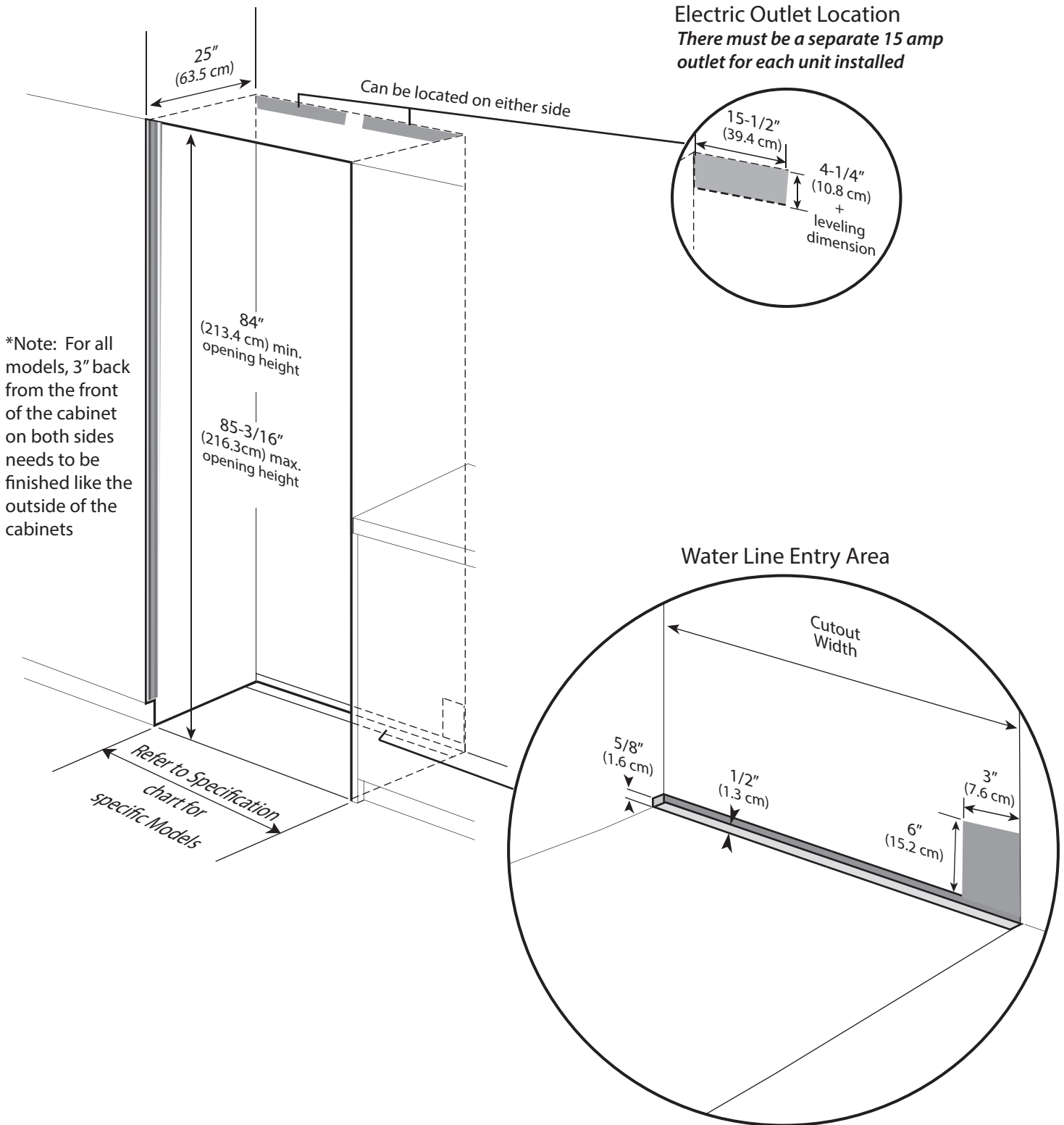
Incorrect Configurations



Zero Clearance
in Corner

Zero Clearance
Hinge to Hinge Install

Cutout Dimensions



*Note: For all models, 3" back from the front of the cabinet on both sides needs to be finished like the outside of the cabinets

Specifications

Refer to Installation Guides included with unit for individual dimensions.

Below is a common install chart for reference.

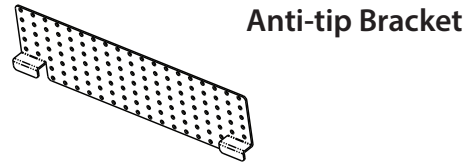
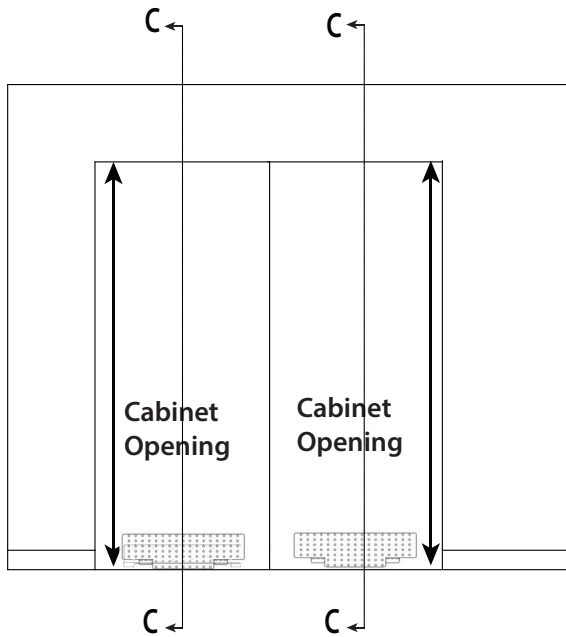
Size Combination	Cabinet Cutout Width	Cabinet Cutout Height (same for all)	Cabinet Cutout Depth (same for all)	Optional Kickplate
18" W / 24" W Models	42" (106.7 cm)	84" (213.4 cm) min 85-3/16" (216.3 cm) max	25" (63.5 cm)	TKK742SS
18" W / 30" W Models	48" (121.9 cm)			TKK748SS
18" W / 36" W Models	54" (137.2 cm)			TKK754SS
24" W / 24" W Models	48" (121.9 cm)			TKK748SS
24" W / 30" W Models	54" (137.2 cm)"			TKK754SS
24" W / 36" W Models	60" (152.4 cm)			TKK760SS
30" W / 30" W Models	60" (152.4 cm)			TKK760SS
30" W / 36" W Models	66" (167.6 cm)			TKK766SS
36" W / 36" W Models	72" (182.9 cm)			TKK772SS

For multi-unit installation, add the width of the units together for cabinet cutout width.
For example: 18" + 24" + 24" = 66" W.

Anti-tip Location

⚠ WARNING

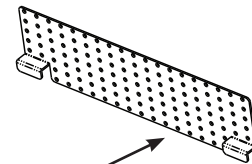
Proper placement of anti tip bracket is an important function of the installation process. The installer shall check and make sure that the unit is getting engaged with the bracket when they try to tilt the unit from top similar to the unit tipping condition.



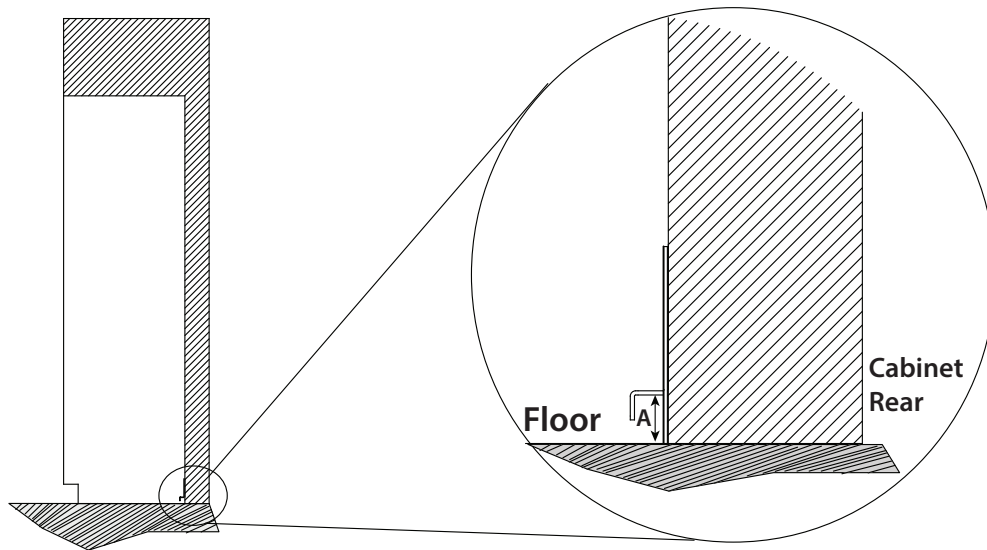
The anti-tip bracket has several holes set up on a grid in order to better locate a wall stud. At least 4 places must be used. Anti-tip Bracket must be centered in cutout - side to side.

NOTE: Number and type of fasteners must be suitable in order to prevent tipping. For example: use wood screws into wall studs or masonry anchors if attaching to stone, brick or concrete.

If the depth of the cabinet is more than the specified dimension of 25" (63.5 cm), anti tip bracket shall be installed with spacer (Shims) to maintain the bracket location to be 25" (63.5 cm).



If a wall stud can not be found or when installing the 18" model, use the lower section of the bracket and mount to the base board



Dimension A = Cabinet opening minus the refrigerator height + 1-1/4" (3.2 cm)

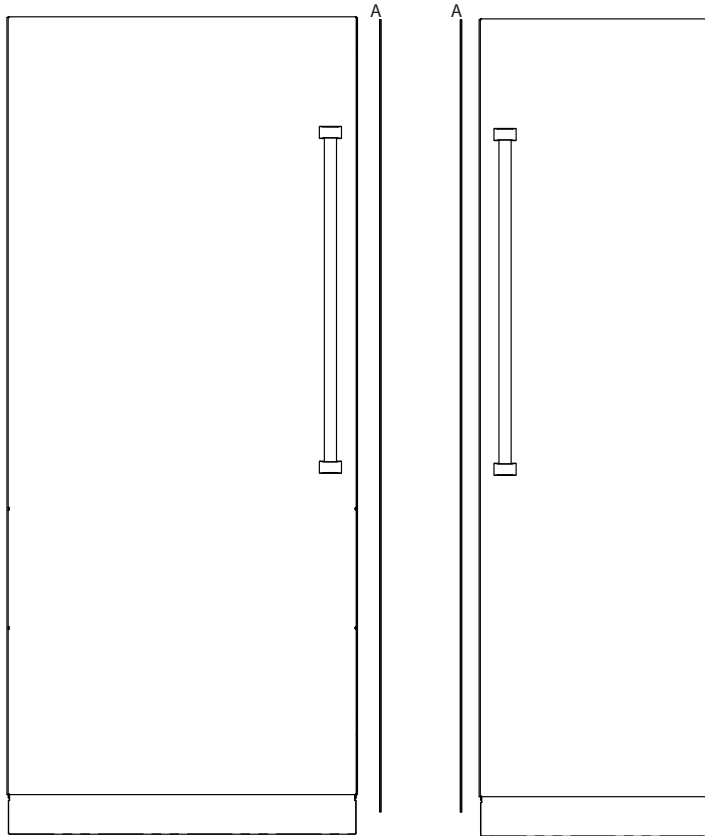
Ex. - Cabinet opening height - 85"

Minimum refrigerator height (sitting on rollers) - 83 15/16"

$$A = 85" - 83-15/16" + 1-1/4" = 2-5/16"$$

Preparing Units for Installation

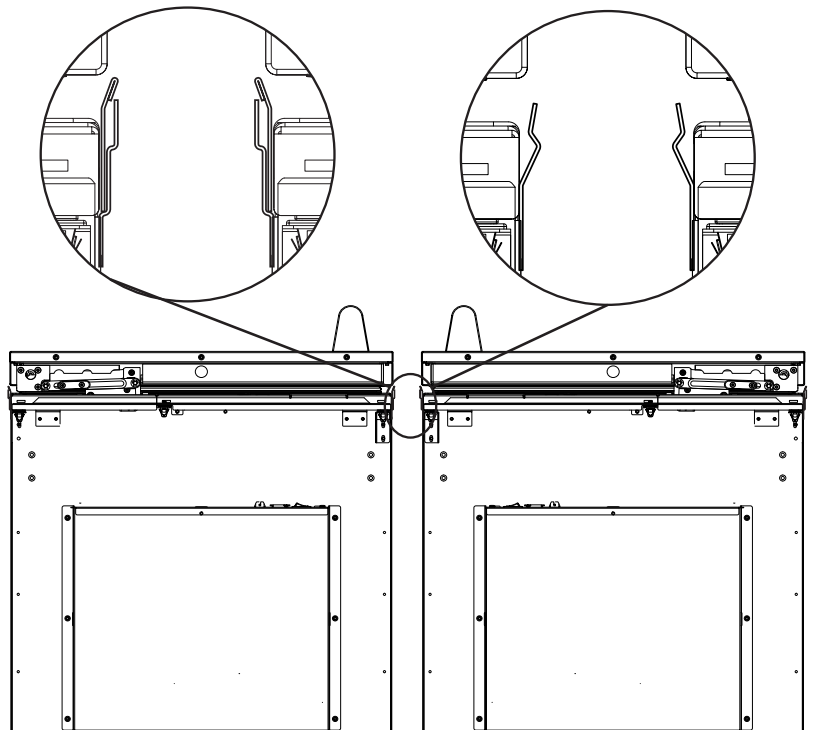
Before removing units from pallet, remove / replace the side trim from each unit if needed, install center trim brackets and connection heater. Make sure units are unplugged and powered off.



Look closely at the trim already installed on the unit. If the trim resembles that in Trim A, it will need to be removed and replaced with Trim B. If the trim already resembles Trim B, leave as is.

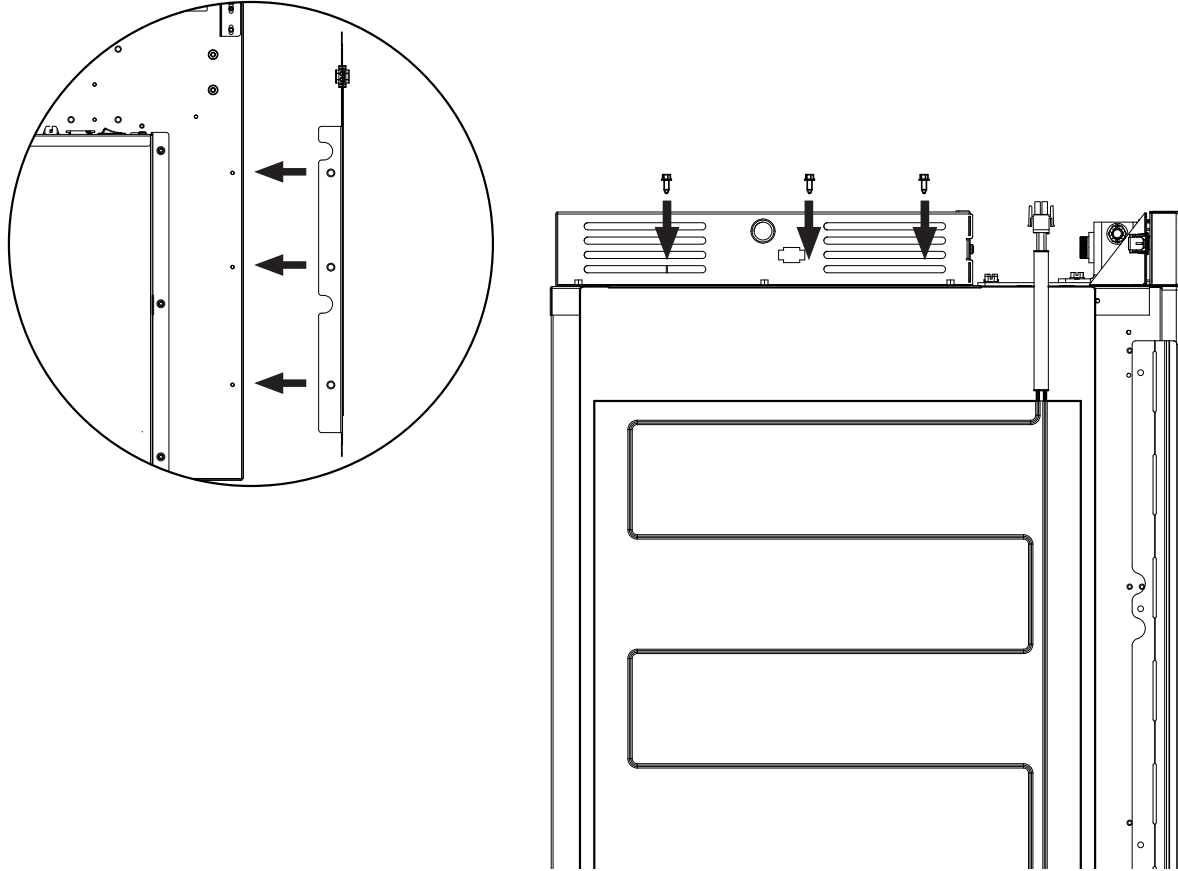
REMOVE TRIM A

INSTALL TRIM B

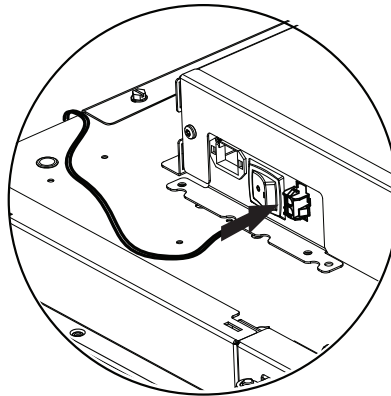


Preparing Units for Installation

1. Fasten heater (Item #1) to the three mounting holes on top of the right hand unit using the #8-18 x 1/2" fasteners (Item #7) provided.



2. Plug heater terminal into right hand unit using the plug located next to the unit on/off switch.




Installation

⚠ WARNING

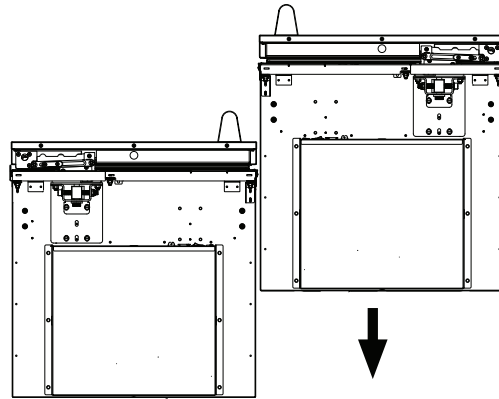
TIP OVER HAZARD

Appliance is top heavy and tips easily when not completely installed. Keep doors closed until appliance is completely installed and secured per installation instructions.

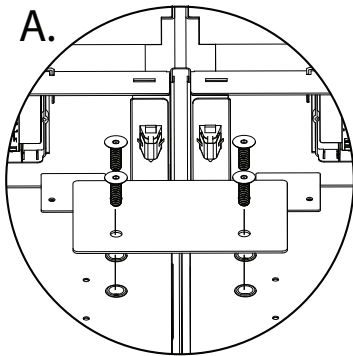
Use two or more people to move and install appliance. Failure to do so can result in death or serious injury.



3. Remove units from pallets and position together outside of the cabinet so that top connecting plate (Item #4) can be installed. If installing on uneven surfaces, use unit leveling feet to adjust units so they are at the same height.



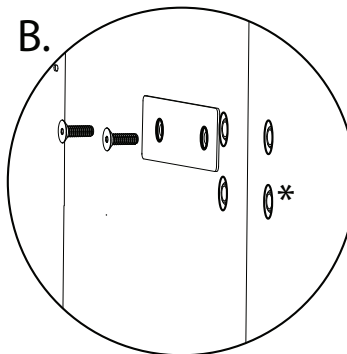
4. Install top connecting plate to the threaded mounting holes provided on the top of the cabinet using the 1/4"-20 x 3/4" (Item #6) fasteners. **DO NOT install using a drill. Use manual allen wrench.** (See Illustration A)



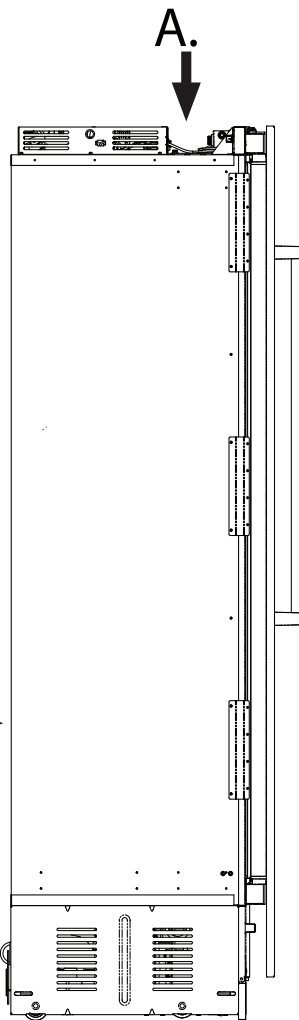
A.

5. Fasten rear connecting plate (Item #5) to the threaded mounting holes provided on the rear of the unit using the 1/4"-20 x 3/4" (Item #6) fasteners. **DO NOT install using a drill. Use manual allen wrench.** (See Illustration B). Loosely attach the bracket allowing it to pivot. Tightening the screws will result in the bracket bending and causing misalignment of the rear of the units.

Note: *If one or both units have (4) screw holes, attach using the top two holes.

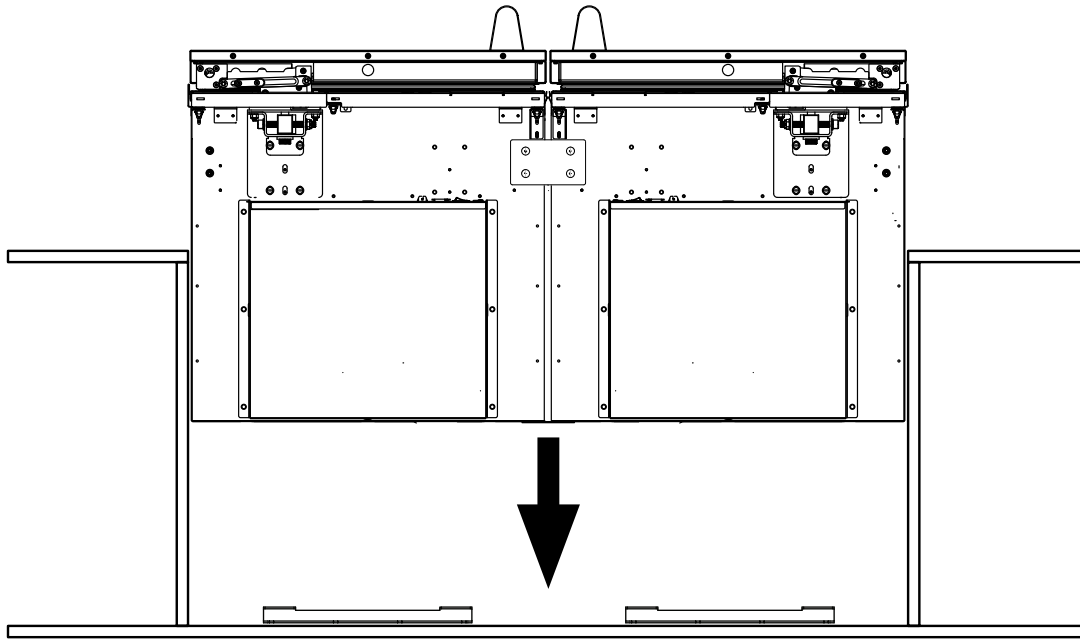


B. →

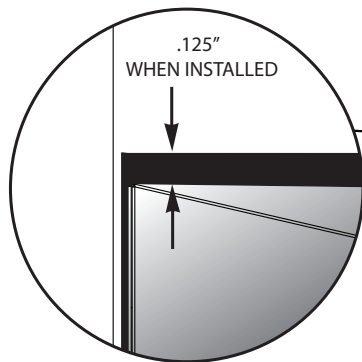


Installation

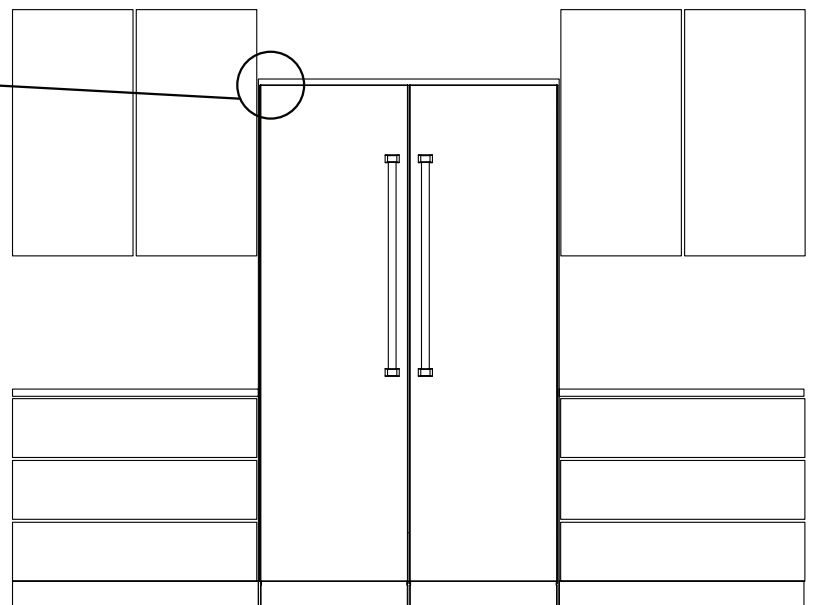
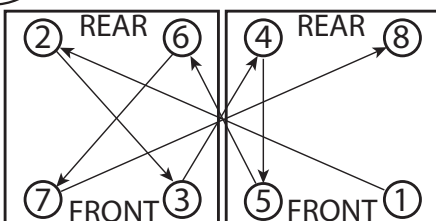
6. If unit leveling feet were used, lower units back onto rollers. Plug in electrical supply and roll connected units into cabinet cutout. Units must be plugged into separate electric outlets. Connect water supply to each unit.



7. Lift units to desired height using 5/16" socket and hand ratchet. DO NOT USE A DRILL-(refer to lift pattern diagram below to ensure that units are gradually lifted together.) ****IMPORTANT**** - *Only make 4 turns at a time with the hand ratchet***. Attach units to cabinet side trim using fasteners included with the units. Install stainless magnetic side trim once fastened. (Use installation guide included with individual units as a reference.)

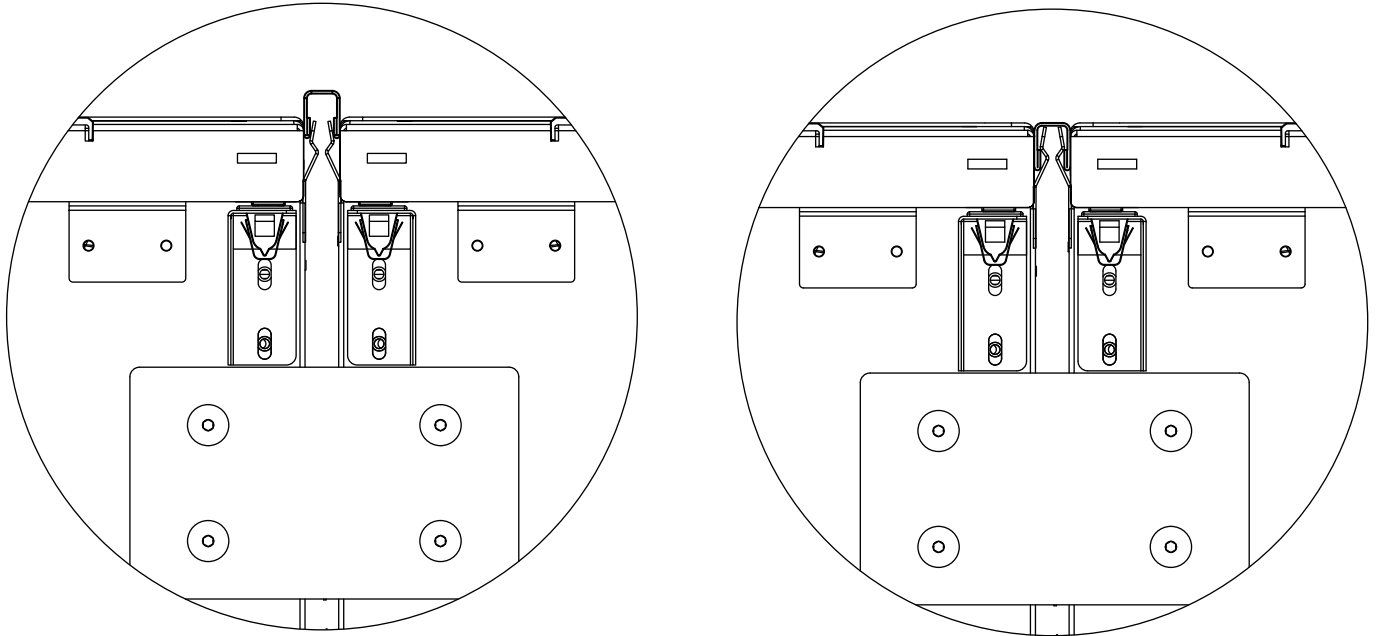


Lift Pattern Diagram



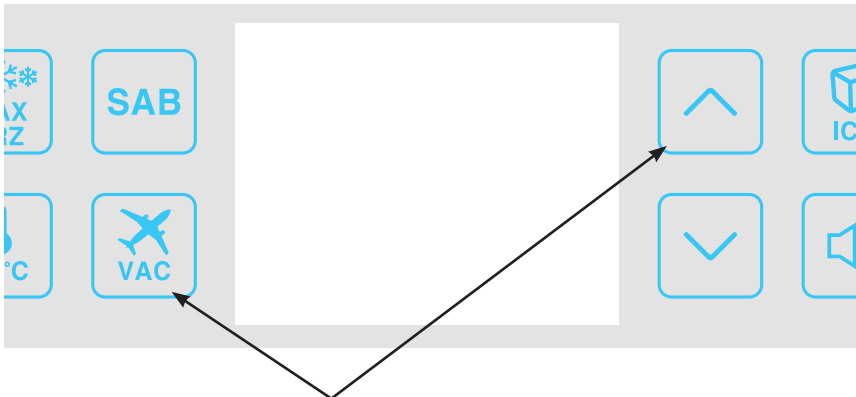
Installation

8. Remove plastic film from center trim before installing. Install center connecting trim (Item #3) in between the two units by pressing it in. Trim should be even with the top of the units. If needed, tap connecting trim gently into place with rubber mallet.



NOTE: Open both doors to install the trim. When installed, the face of the trim should be flush with the breaker frame.

9. Once the connection to the heater and the unit installation is complete, you will need to enable the heater which was plugged into the right hand unit. (Step 4 on page 7).

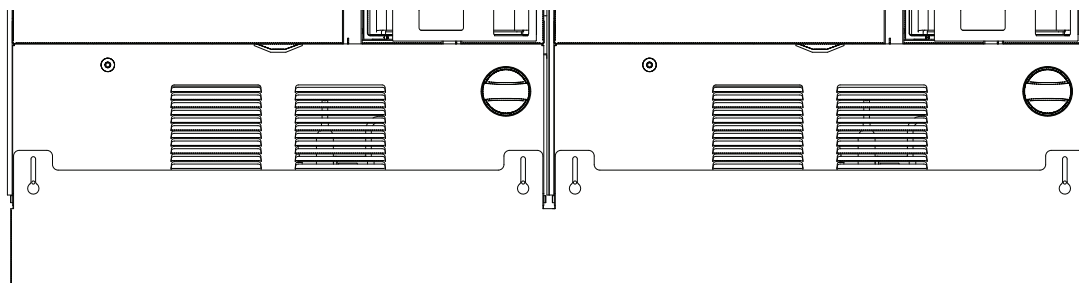


To enable the heater, on the control panel* of the right hand unit, press the VAC and UP arrow key and hold for 5 seconds. You will hear an alarm beep once when it accepts the entry.

*NOTE: Control panel may vary depending on model being installed.

Optional Custom Kickplate Installation

Remove screws fastening individual kickplates on units. Save screws to be used when installing custom kickplate. Place custom kickplate across bottom of both units and fasten using the mounting holes for the individual kickplates.



Viking Range, LLC
111 Front Street
Greenwood, Mississippi 38930
(662) 455-1200

For product information, call 1-888-845-4641
or visit our web site at vikingrange.com